



US00D632169S

(12) **United States Design Patent**
Ruth

(10) **Patent No.:** **US D632,169 S**
(45) **Date of Patent:** **** Feb. 8, 2011**

- (54) **SLEEVED DISPLAY PACKAGE**
- (75) Inventor: **James R. Ruth**, Miami, FL (US)
- (73) Assignee: **TracFone Wireless, Inc.**, Miami, FL (US)
- (**) Term: **14 Years**
- (21) Appl. No.: **29/372,117**
- (22) Filed: **Oct. 15, 2010**

5,174,442 A 12/1992 Kurnit
 5,209,354 A 5/1993 Thornhill et al.
 5,226,532 A 7/1993 Davidson et al.
 5,232,087 A 8/1993 Schluger
 5,248,037 A 9/1993 Kornberg et al.
 D340,861 S * 11/1993 Abelson D9/415

(Continued)

Primary Examiner—Thomas J Johannes
(74) *Attorney, Agent, or Firm*—Greenberg Traurig, P.A.

Related U.S. Application Data

- (63) Continuation of application No. 29/315,828, filed on Jul. 28, 2009, now Pat. No. Des. 625,598.

- (51) **LOC (9) Cl.** **09-03**
- (52) **U.S. Cl.** **D9/423; D9/418**
- (58) **Field of Classification Search** D9/715, D9/721, 722, 414, 415, 418, 420, 422, 423, D9/432, 433, 434, 435, 436, 346, 522; 206/45, 206/46, 232, 320, 387.1, 387.13, 461-471, 206/775, 776, 781, 782, 562-564, 588-592; 229/87, 160.2, 23 TB

See application file for complete search history.

(56) **References Cited**

U.S. PATENT DOCUMENTS

- 3,487,915 A * 1/1970 Scott 206/461
- 3,519,128 A 7/1970 Swanberg
- 3,755,925 A 9/1973 Court
- 3,939,979 A 2/1976 Neumayer
- 4,180,165 A 12/1979 Kuchenbecker
- 4,284,204 A 8/1981 Carey, Jr.
- D261,485 S 10/1981 Haubert
- 4,326,665 A 4/1982 Scott
- D265,551 S 7/1982 Colby et al.
- 4,408,693 A 10/1983 Brewaeys et al.
- D278,979 S 5/1985 Anderson et al.
- 4,711,348 A 12/1987 Schluger
- 4,739,353 A 4/1988 Heuer et al.
- D327,004 S 6/1992 Nadel
- D329,600 S 9/1992 LaJoie

(57) **CLAIM**

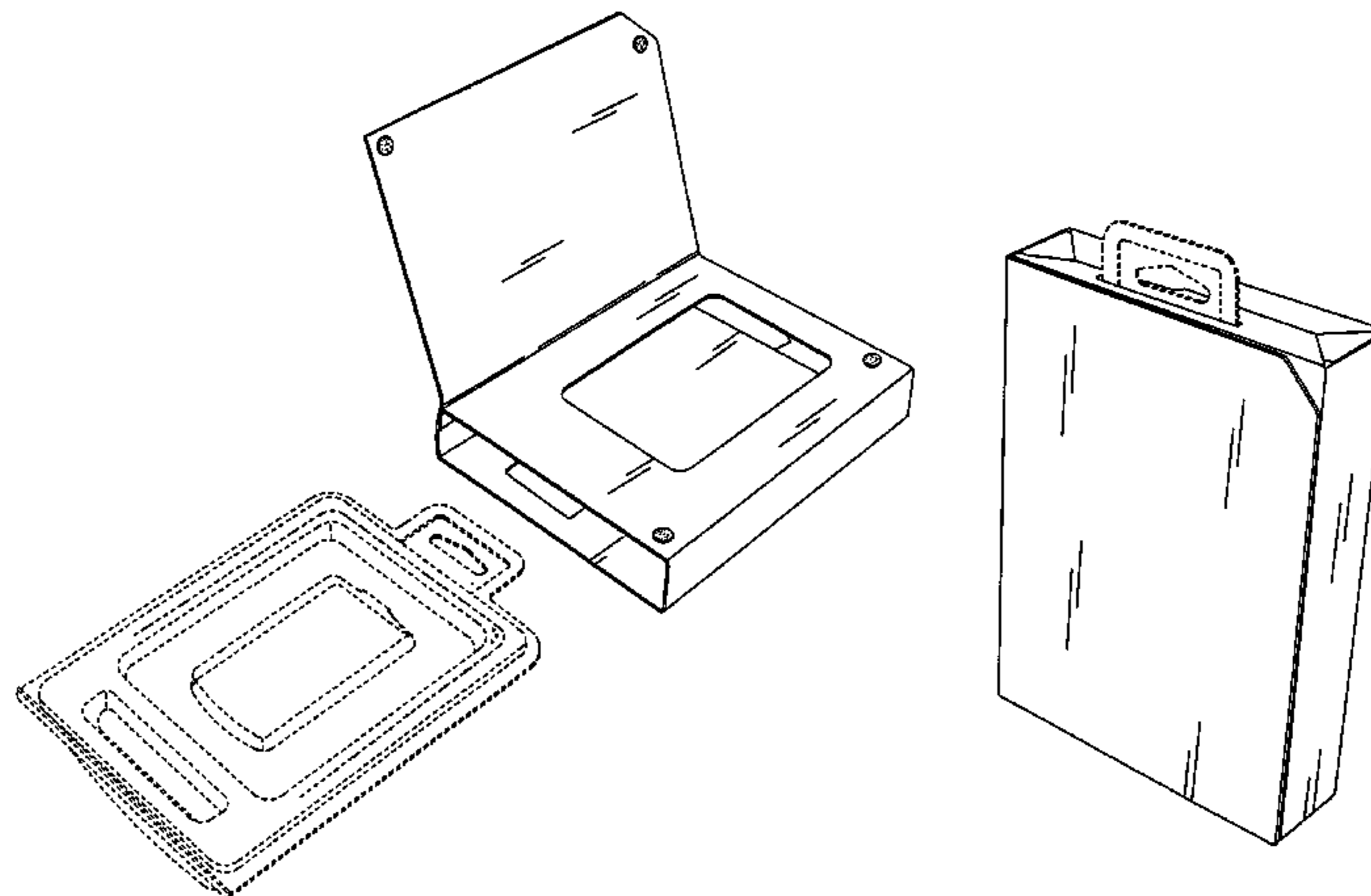
I claim the ornamental design for a sleeved display package, as shown and described.

DESCRIPTION

FIG. 1 is an expanded front right perspective view of a sleeved display package showing my new design with the front cover of sleeve in the open position;
 FIG. 2 is an expanded left side elevation view thereof;
 FIG. 3 is an expanded front elevation view thereof;
 FIG. 4 is an expanded right side elevation view thereof;
 FIG. 5 is an expanded rear elevation view thereof;
 FIG. 6 is an expanded top plan view thereof;
 FIG. 7 is an expanded bottom plan view thereof;
 FIG. 8 is an assembled front right perspective view thereof;
 FIG. 9 is an assembled front right perspective view with front cover of sleeve in closed position;
 FIG. 10 is an assembled top plan view thereof;
 FIG. 11 is an assembled left side elevation view thereof;
 FIG. 12 is an assembled front elevation view thereof;
 FIG. 13 is an assembled bottom plan view thereof;
 FIG. 14 is an assembled rear elevation view; and,
 FIG. 15 is an assembled right side elevation view thereof.

The broken line portion of the figure drawings is included to show unclaimed subject matter only and forms no part of the claimed design.

1 Claim, 7 Drawing Sheets



US D632,169 S

Page 2

U.S. PATENT DOCUMENTS							
5,289,917	A	3/1994	Chabria	6,527,111	B2	3/2003	Leung et al.
5,409,105	A	4/1995	Appelbaum et al.	6,588,596	B1	7/2003	Holmes et al.
D372,670	S	8/1996	Healey	6,814,225	B2	11/2004	Belden, Jr. et al.
5,575,384	A	11/1996	Saye	7,000,774	B2	2/2006	Bryant
D380,927	S *	7/1997	Williams et al. D6/632	D521,862	S	5/2006	Siethoff et al.
D385,781	S *	11/1997	Levine et al. D9/737	7,243,800	B1	7/2007	Feibelman
D390,108	S	2/1998	Landis et al.	7,296,681	B2 *	11/2007	McDonald et al. 206/583
5,775,494	A	7/1998	Taplin	D556,564	S	12/2007	Lee et al.
5,794,631	A	8/1998	Sylvester	D556,565	S	12/2007	Nazari
D401,853	S	12/1998	Stavridis	D618,539	S	6/2010	Ruth
5,950,820	A	9/1999	Heinze, III	D618,540	S	6/2010	Ruth
5,984,103	A	11/1999	Stirmel et al.	D625,598	S *	10/2010	Ruth D9/423
6,095,408	A	8/2000	Nguyen	2006/0124504	A1 *	6/2006	Rager 206/575
6,105,784	A	8/2000	Salminen et al.	2007/0209958	A1 *	9/2007	Begim 206/472
6,398,026	B1	6/2002	Parsons	2008/0011637	A1	1/2008	Young et al.
D463,978	S	10/2002	DiMartino	2008/0060975	A1	3/2008	Young et al.
6,478,154	B2 *	11/2002	Cliff et al. 206/472	2008/0314784	A1	12/2008	Schroeder

* cited by examiner

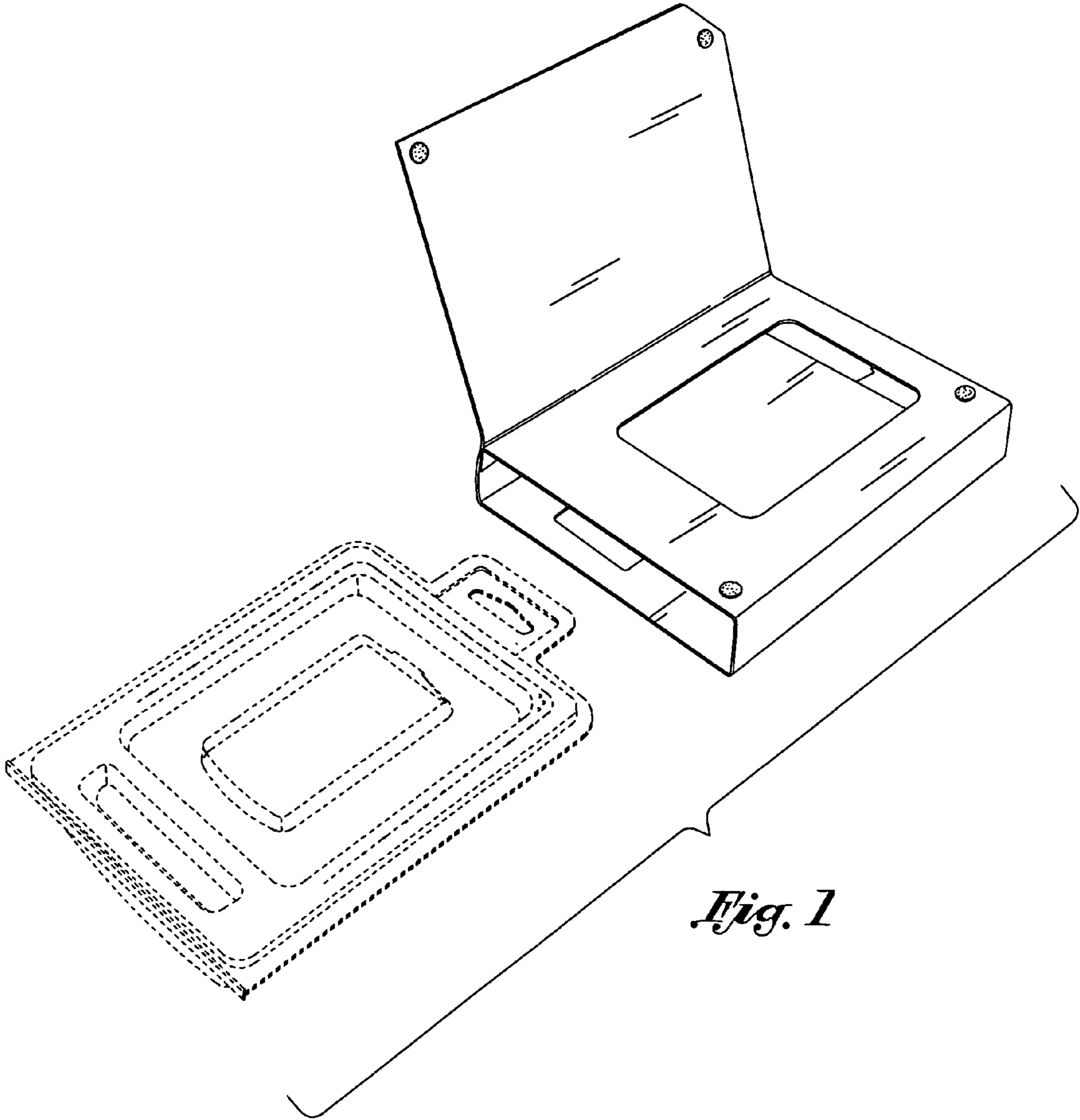


Fig. 1

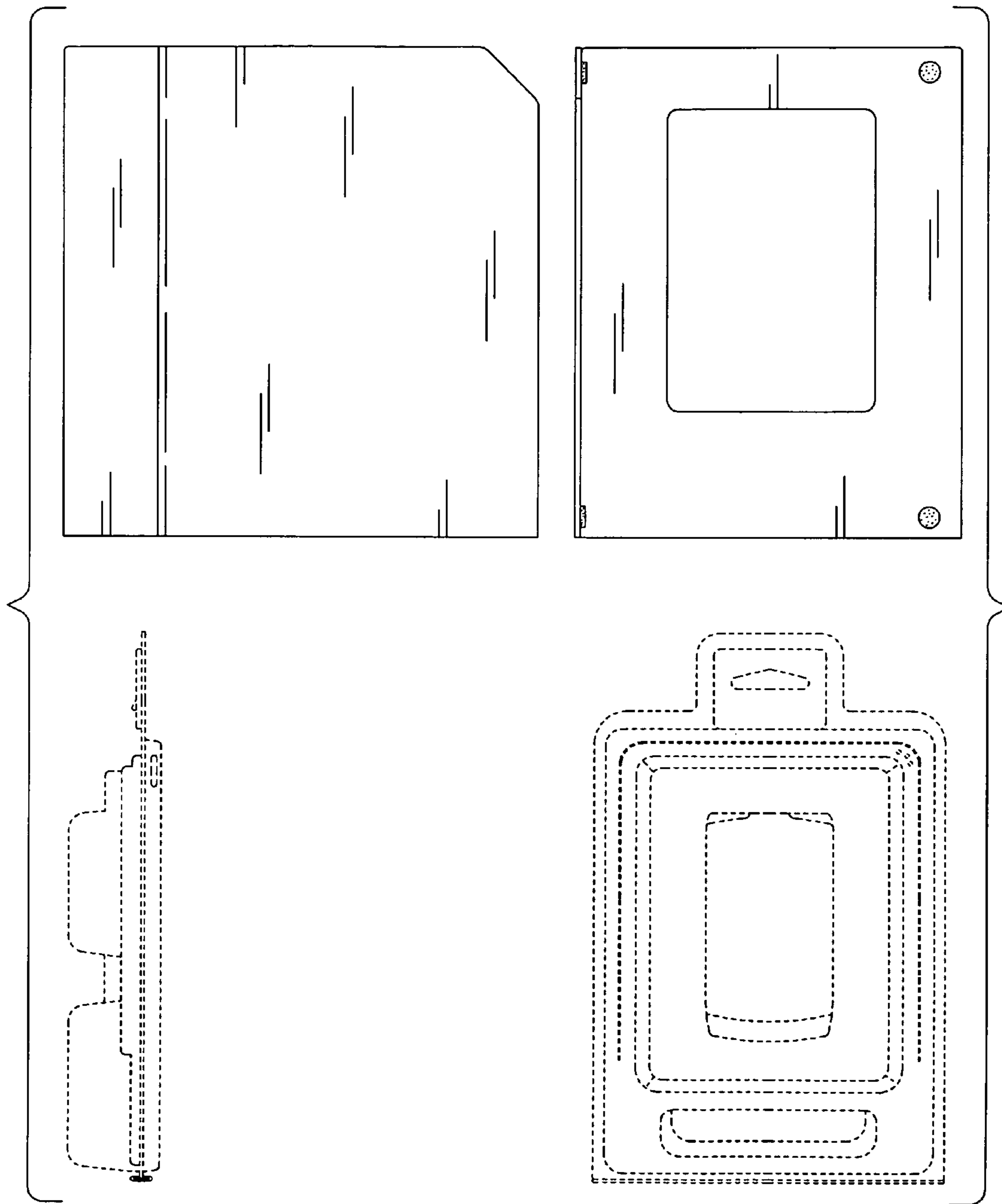


Fig. 2

Fig. 3

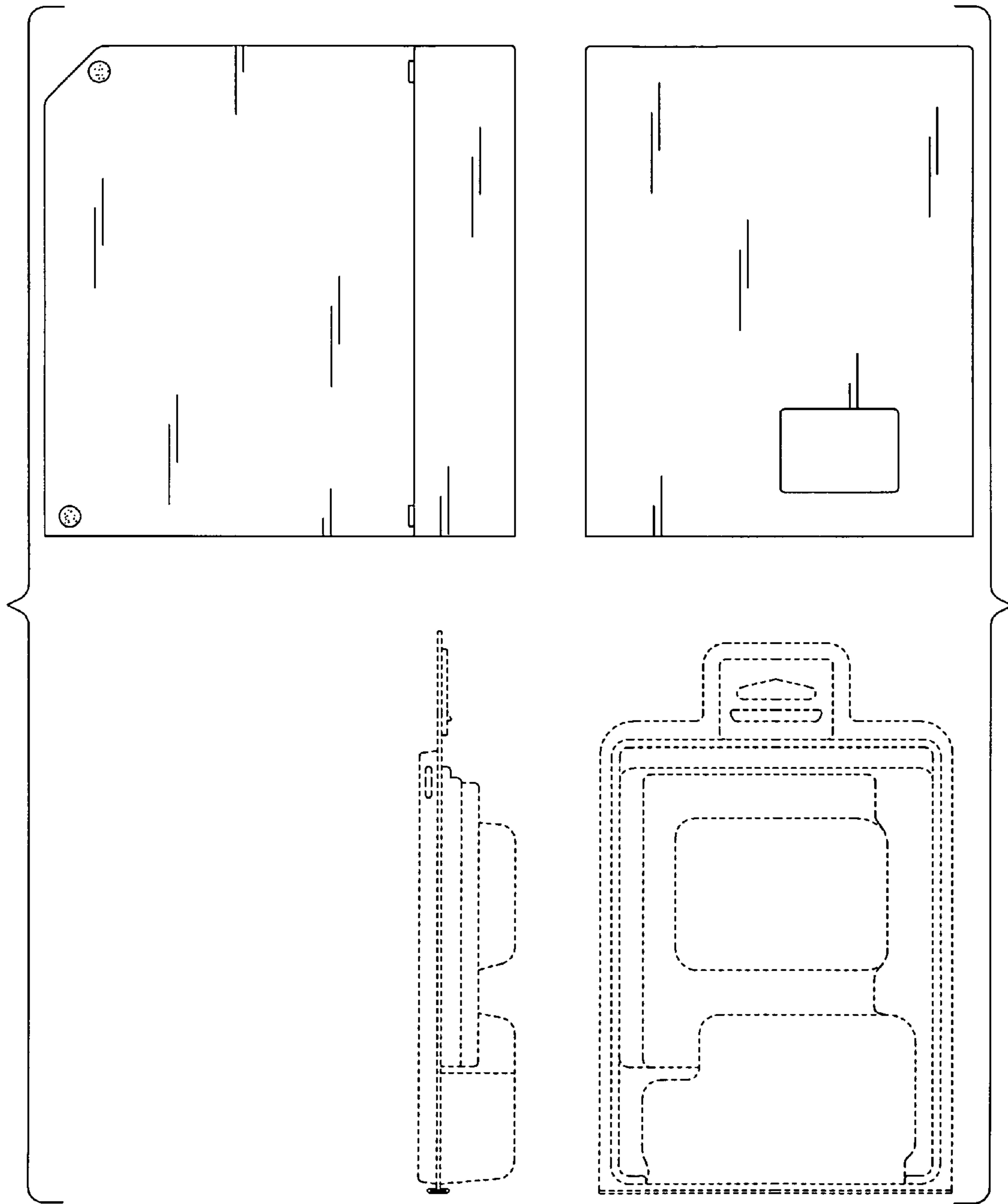


Fig. 4

Fig. 5

Fig. 6

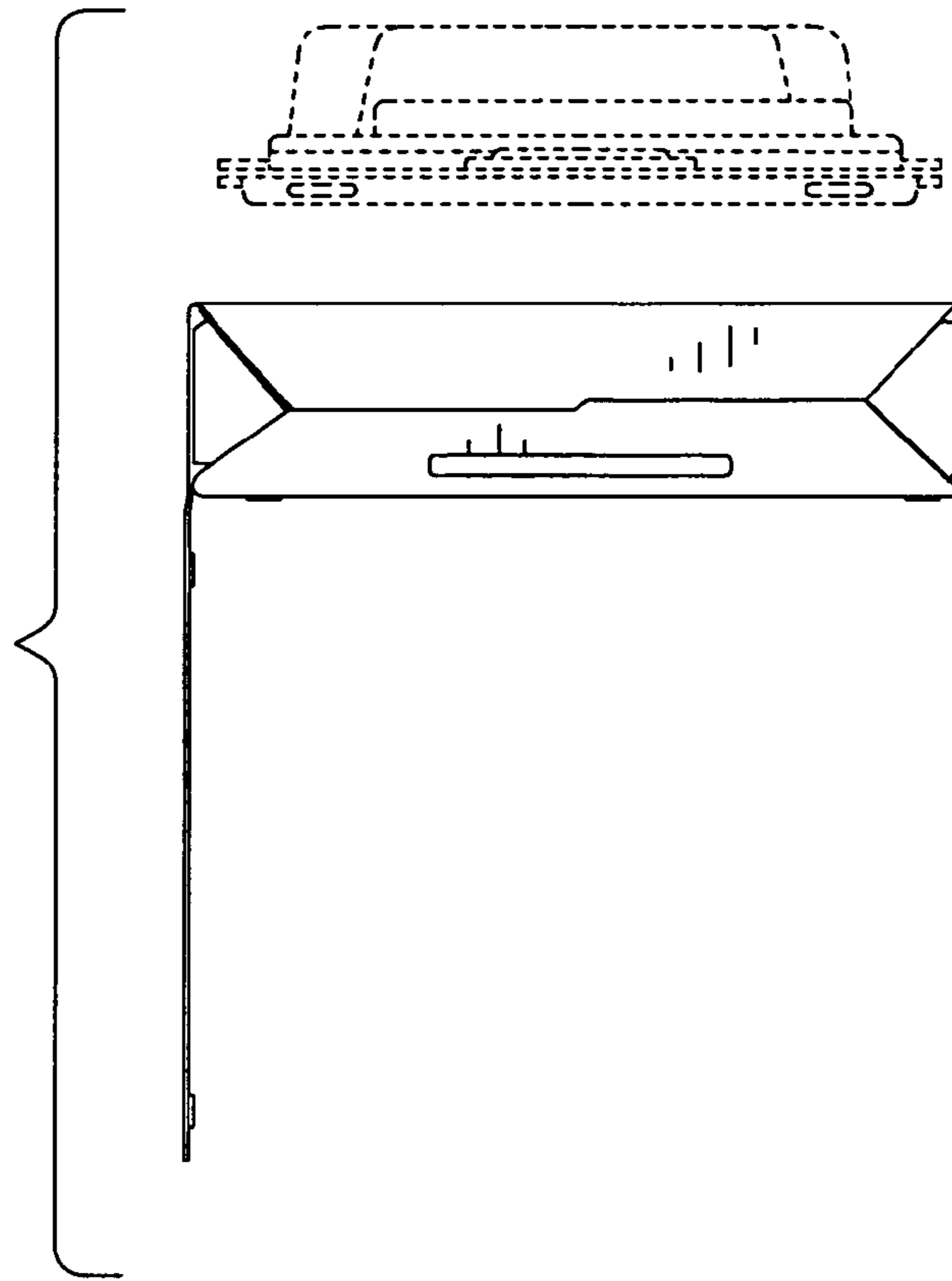
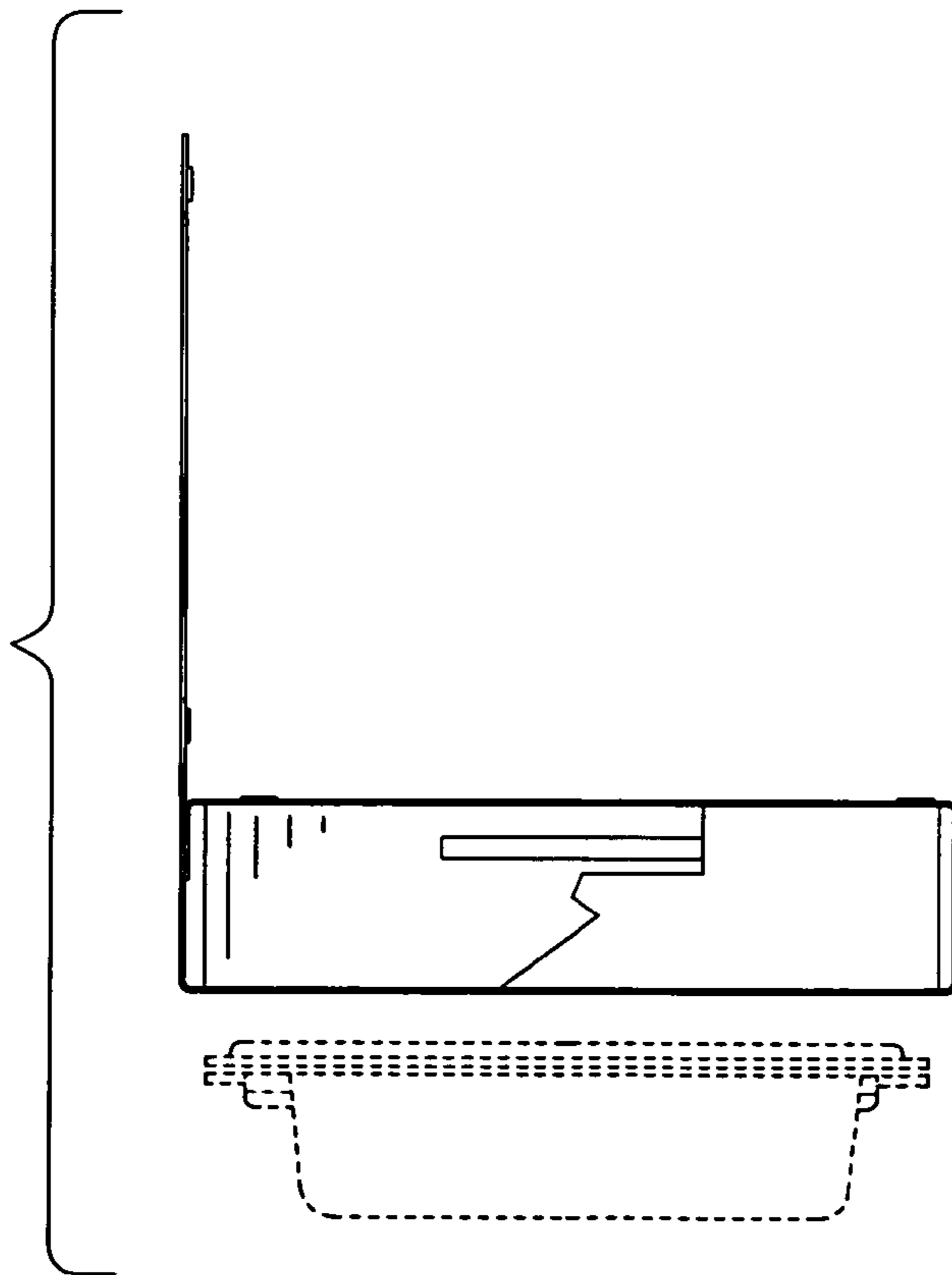


Fig. 7



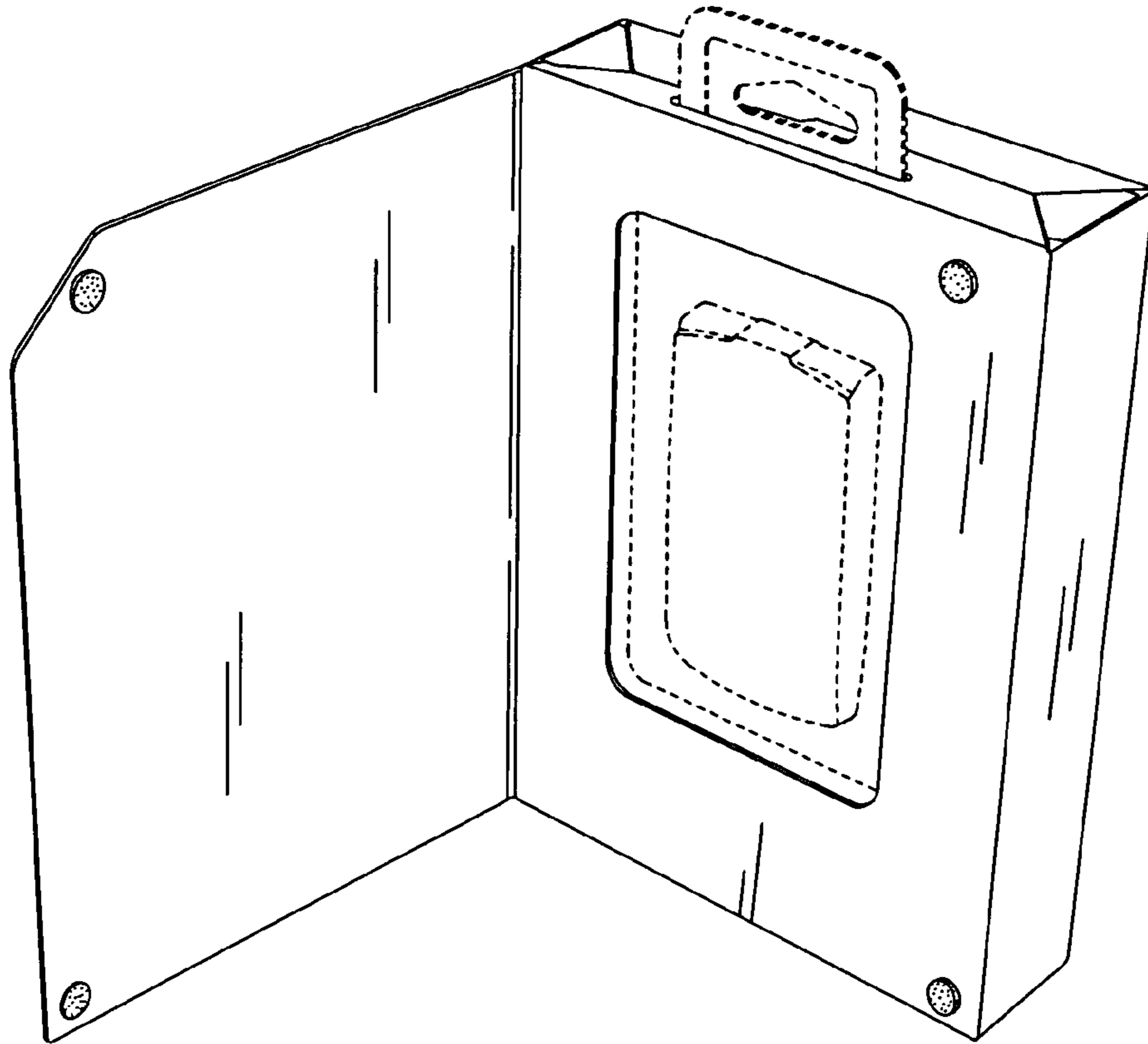


Fig. 8

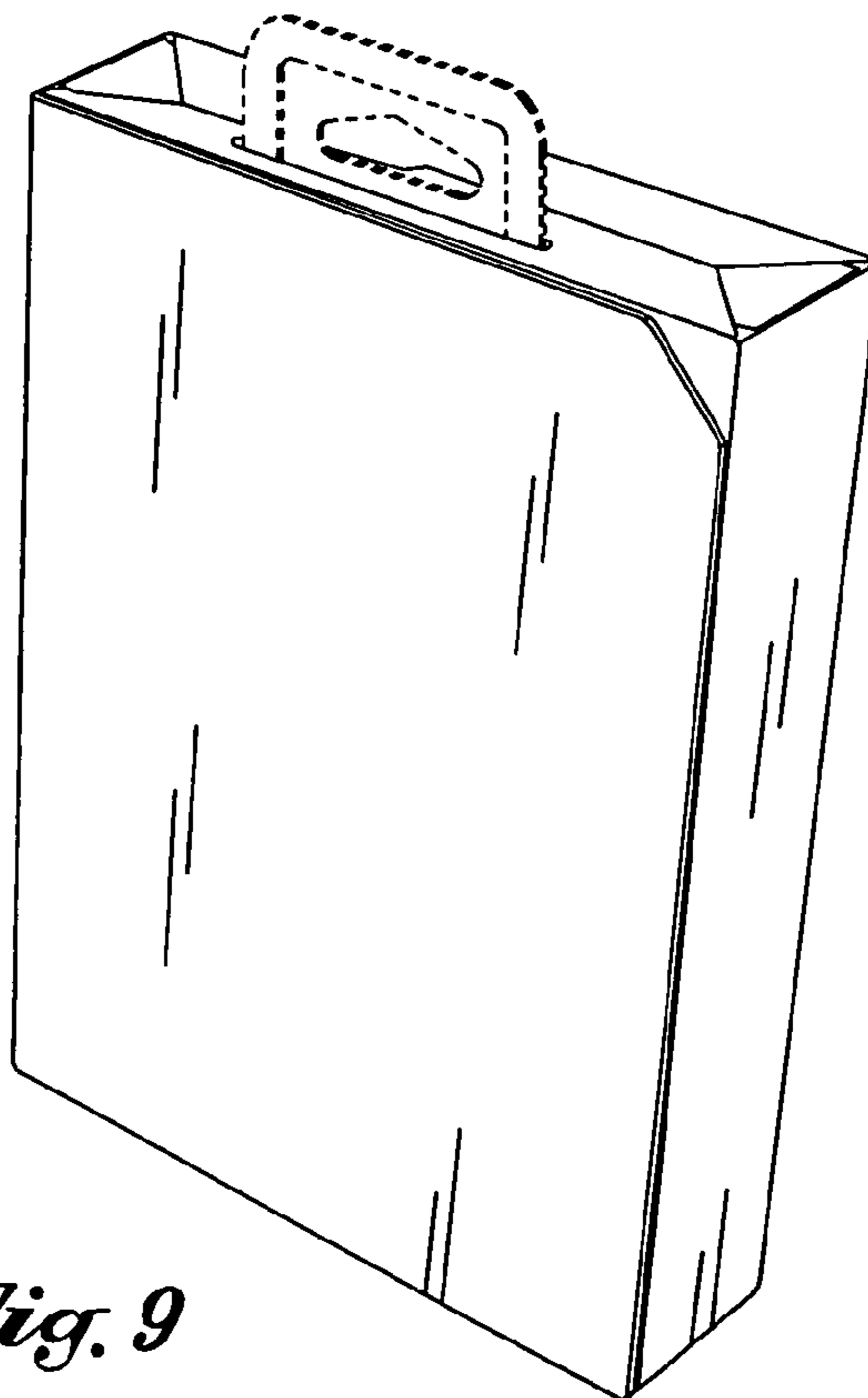


Fig. 9

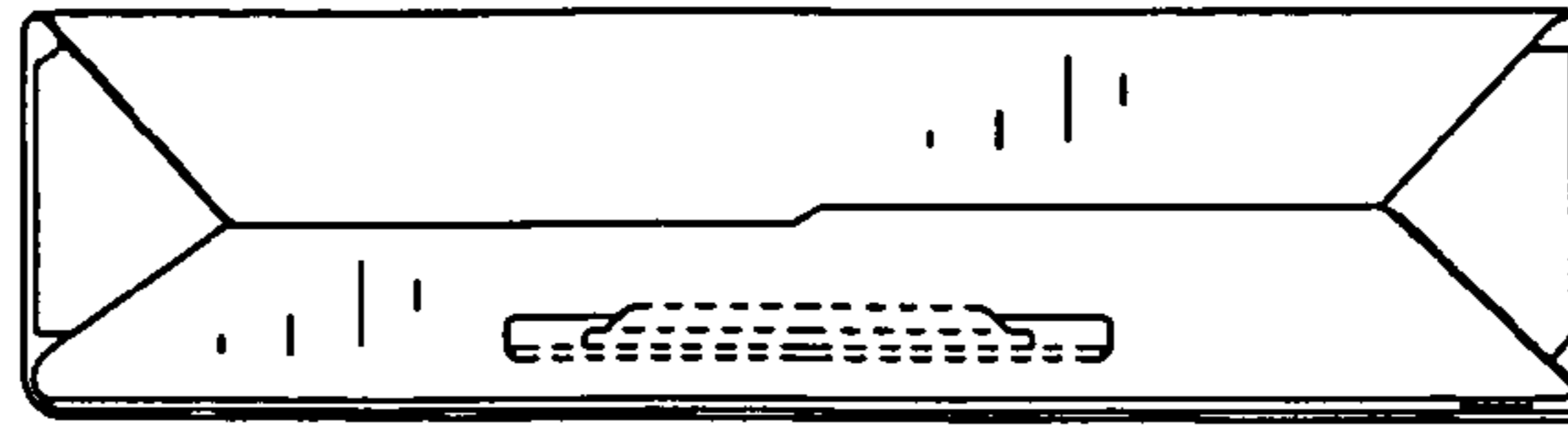


Fig. 10

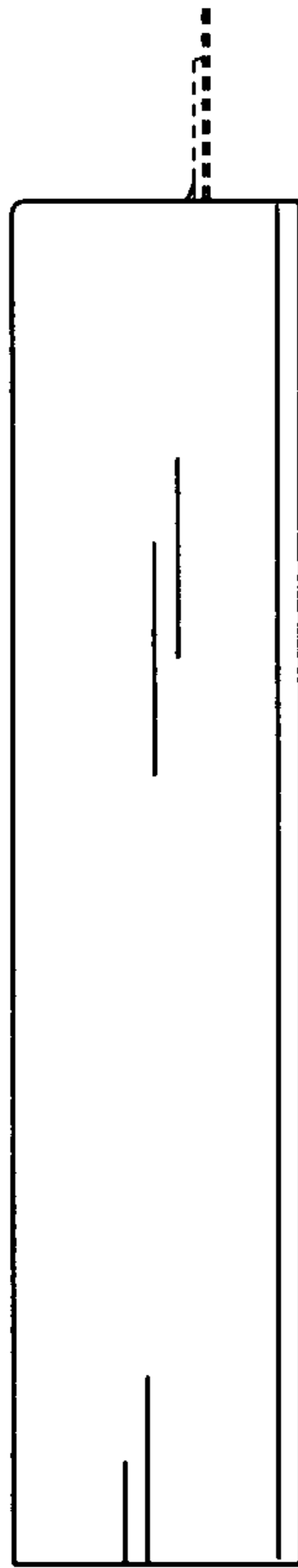


Fig. 11



Fig. 12

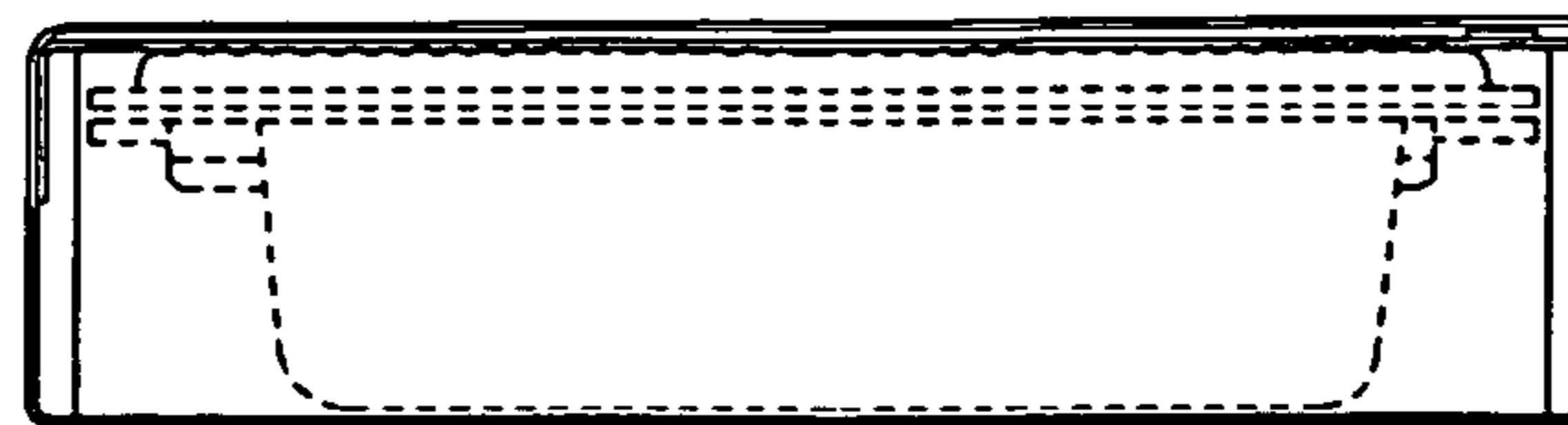


Fig. 13

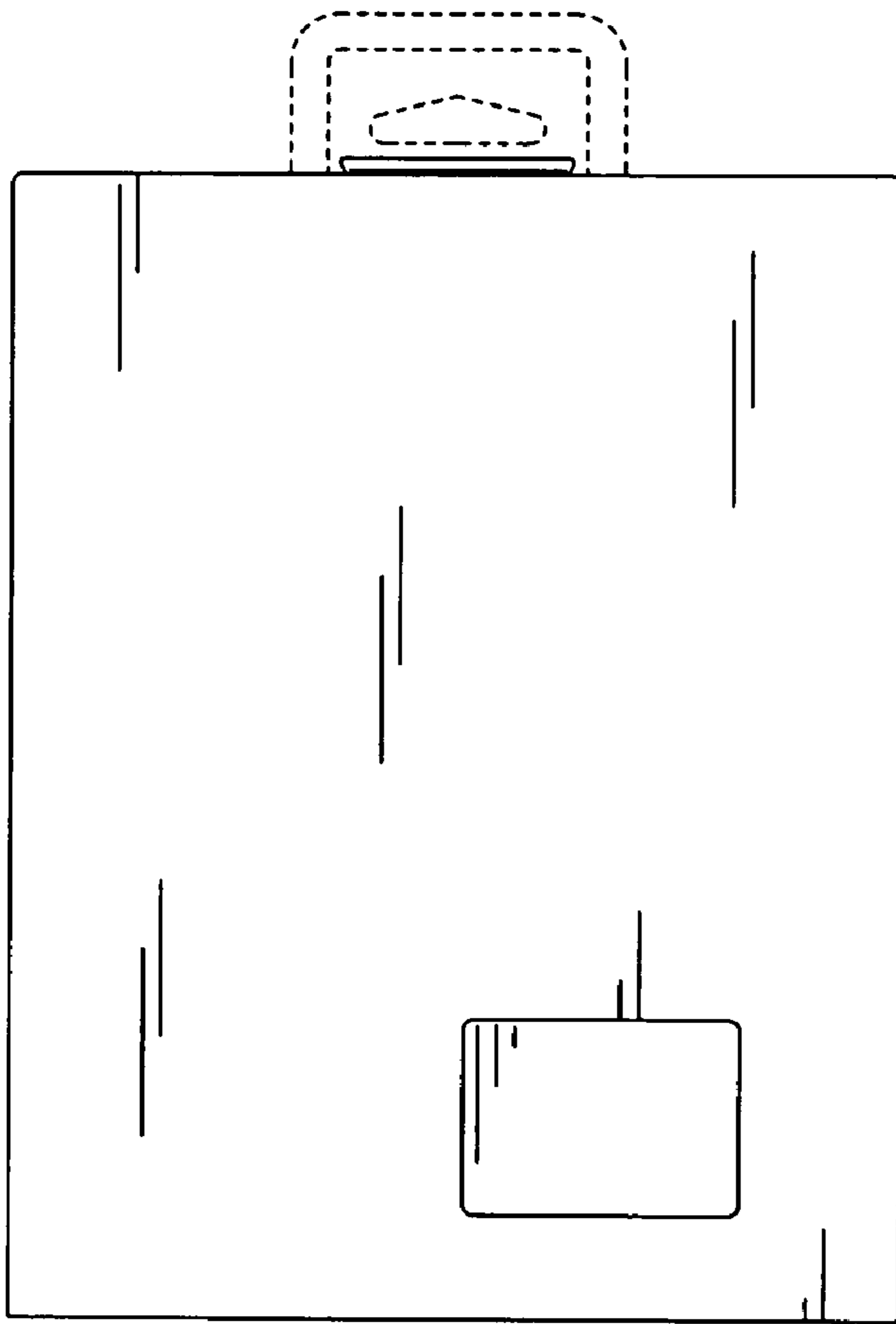


Fig. 14

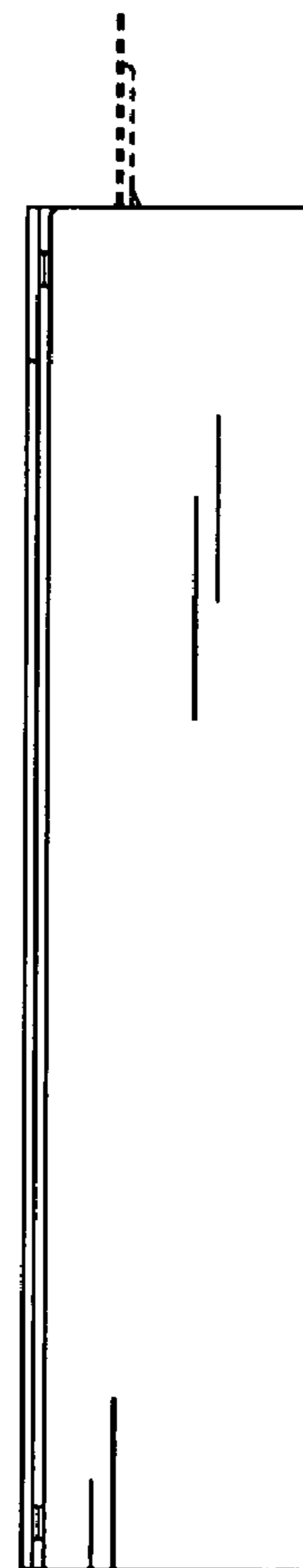


Fig. 15