



US00D632166S

(12) **United States Design Patent**  
**Spadotto**

(10) **Patent No.:** **US D632,166 S**

(45) **Date of Patent:** **\*\* Feb. 8, 2011**

(54) **SUPPORT FOR FLUID DISTRIBUTION MEANS**

(75) Inventor: **Oliviano Spadotto**, Pordenone (IT)

(73) Assignee: **Claber S.p.A.**, Fiume Veneto(PN) (IT)

(\*\*) Term: **14 Years**

(21) Appl. No.: **29/311,471**

(22) Filed: **Mar. 26, 2009**

(30) **Foreign Application Priority Data**

Sep. 29, 2008 (EP) ..... 001010623

(51) **LOC (9) Cl.** ..... **08-08**

(52) **U.S. Cl.** ..... **D8/396**

(58) **Field of Classification Search** ..... D23/223,  
D23/229, 259–269; D8/396, 397, 356; 24/279;  
285/251–253; 411/372, 910; 239/458, 602  
See application file for complete search history.

(56) **References Cited**

**U.S. PATENT DOCUMENTS**

- D172,741 S \* 8/1954 Cooper ..... D8/367
- D360,353 S \* 7/1995 Schriever ..... D8/356
- D402,011 S \* 12/1998 Masuda ..... D23/259
- D467,790 S \* 12/2002 Roberts et al. .... D8/356
- D484,163 S \* 12/2003 Kim ..... D16/219
- D516,416 S \* 3/2006 Friedline et al. .... D8/380

- D535,982 S \* 1/2007 Inoue ..... D14/230
- D565,935 S \* 4/2008 Selby ..... D8/356
- D576,025 S \* 9/2008 Mazzocco ..... D8/382
- D595,274 S \* 6/2009 Skottke et al. .... D14/230
- D602,921 S \* 10/2009 Skottke et al. .... D14/230

\* cited by examiner

*Primary Examiner*—Celia A Murphy

*Assistant Examiner*—John Windmuller

(74) *Attorney, Agent, or Firm*—Jacobson Holman PLLC

(57) **CLAIM**

I claim the ornamental design for “support for fluid distribution means,” as shown and described.

**DESCRIPTION**

FIG. 1 shows a front perspective view of a support for fluid distribution means;

FIG. 2 shows a first lateral view of the support of FIG. 1;

FIG. 3 shows a second lateral view of the support of FIG. 1;

FIG. 4 shows a top view of the support of FIG. 1;

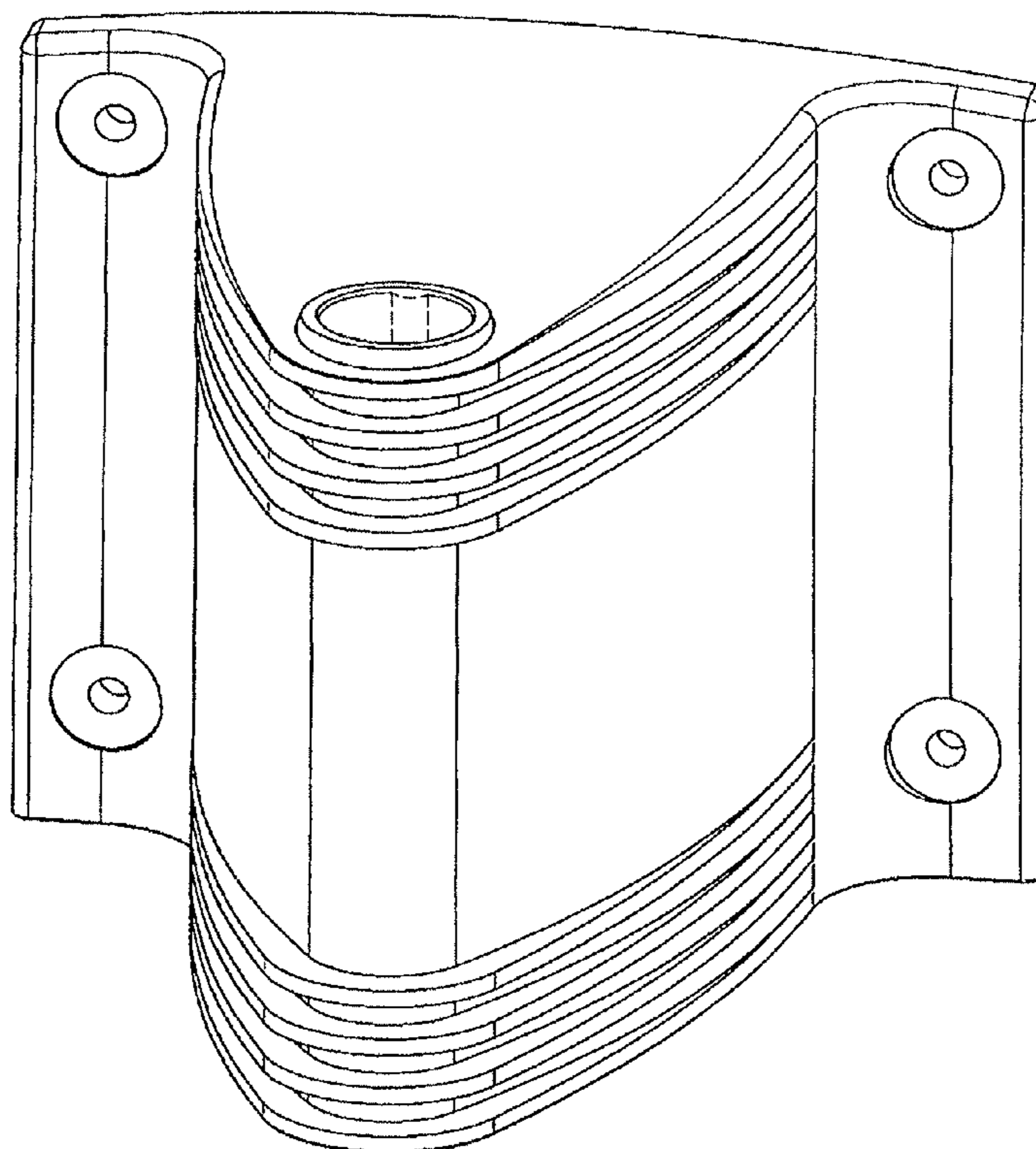
FIG. 5 shows a bottom view of the support of FIG. 1;

FIG. 6 shows a back perspective view of the support of FIG. 1; and,

FIG. 7 shows a front view of the support of FIG. 1.

The portions of the drawings shown in broken line form no part of the claimed design.

**1 Claim, 7 Drawing Sheets**



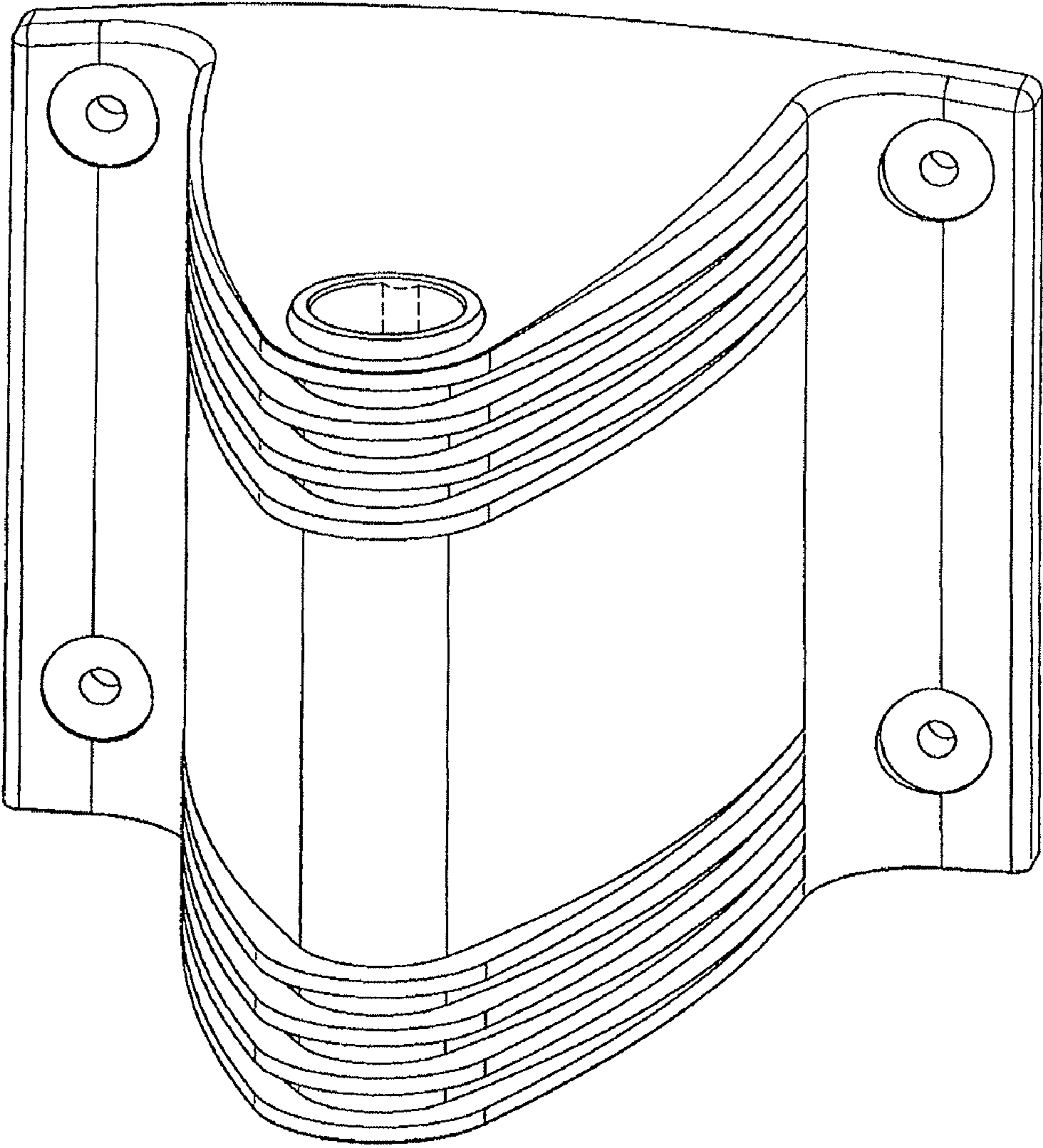


FIG.1

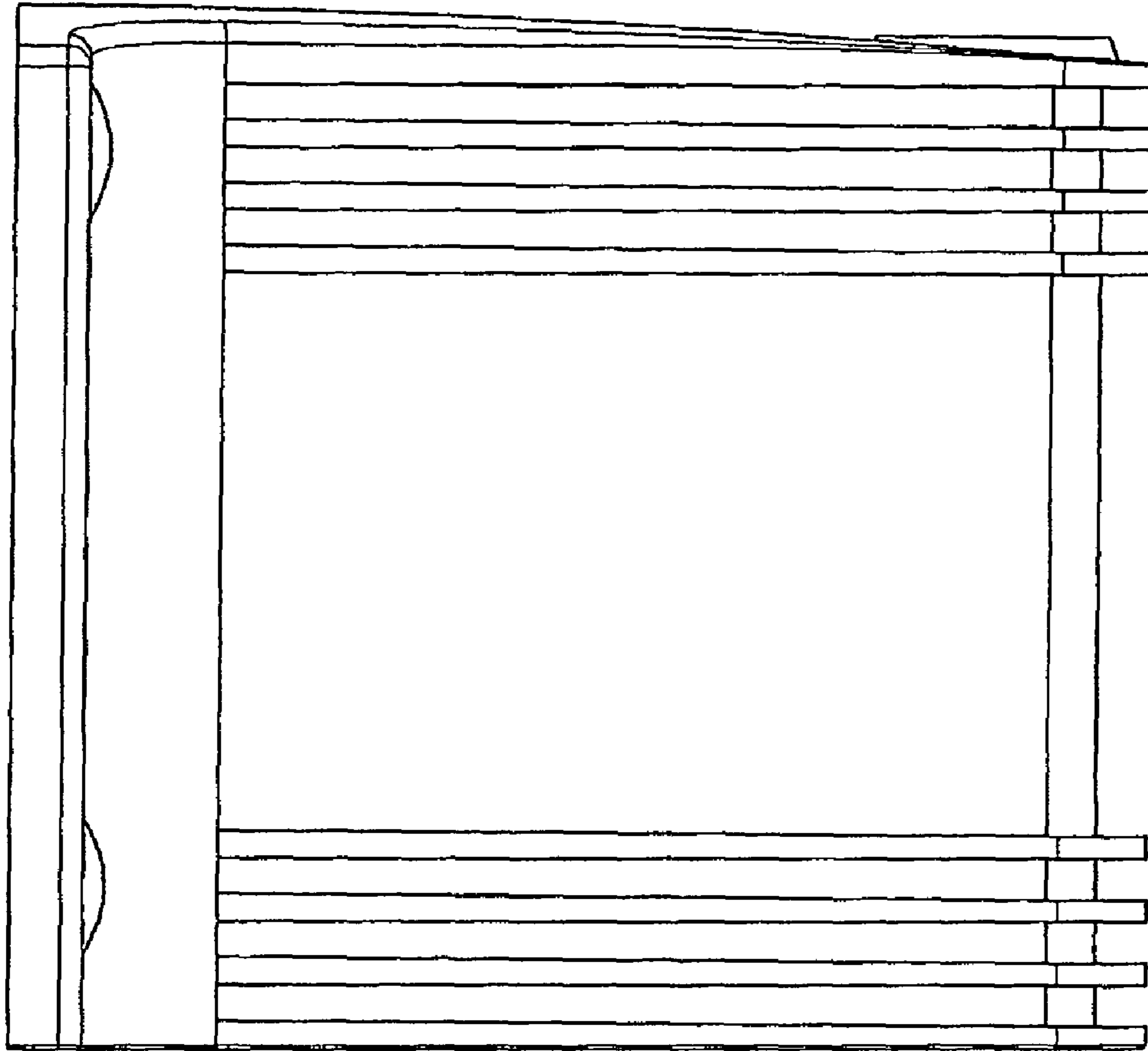


FIG.2

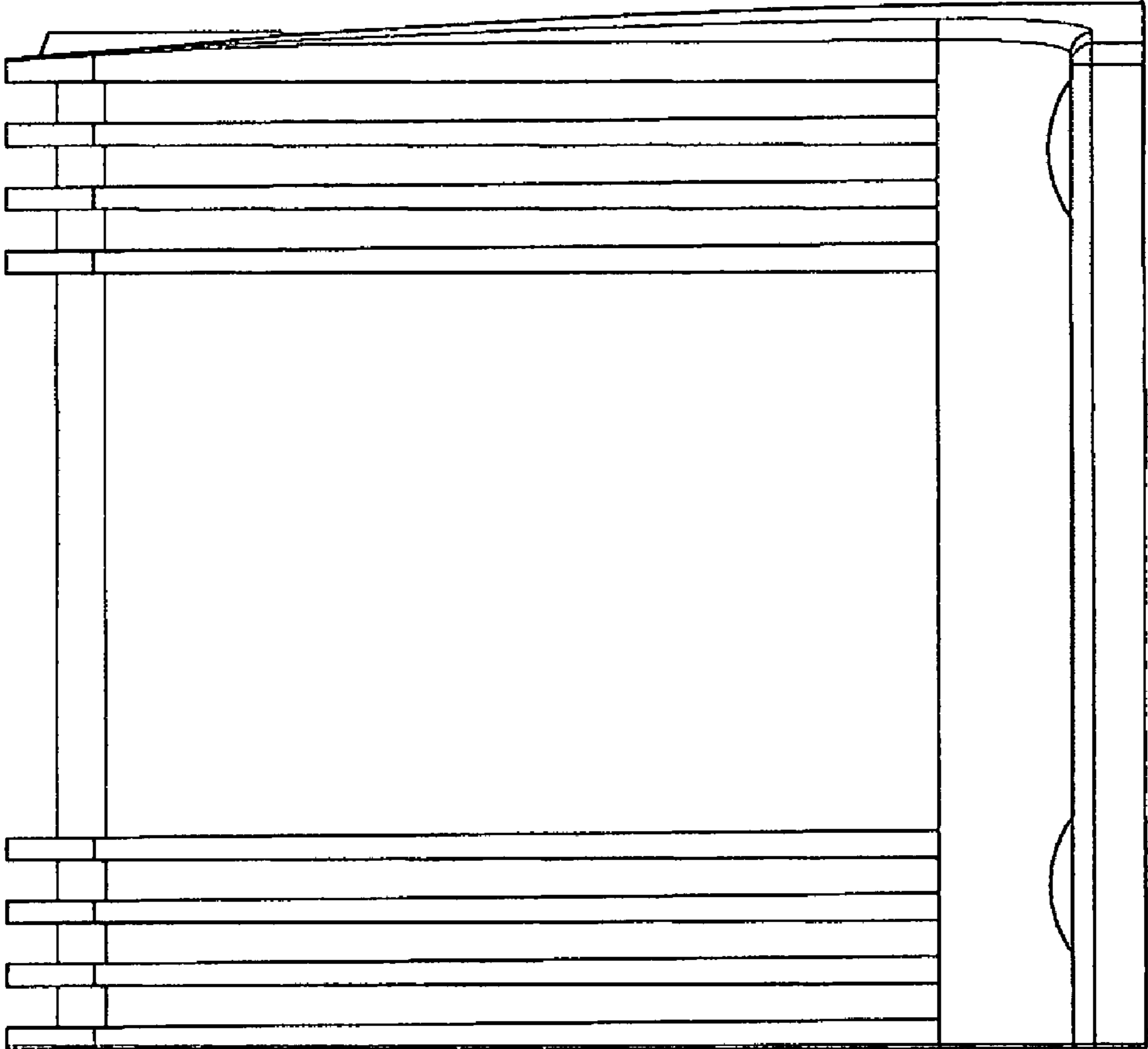


FIG.3

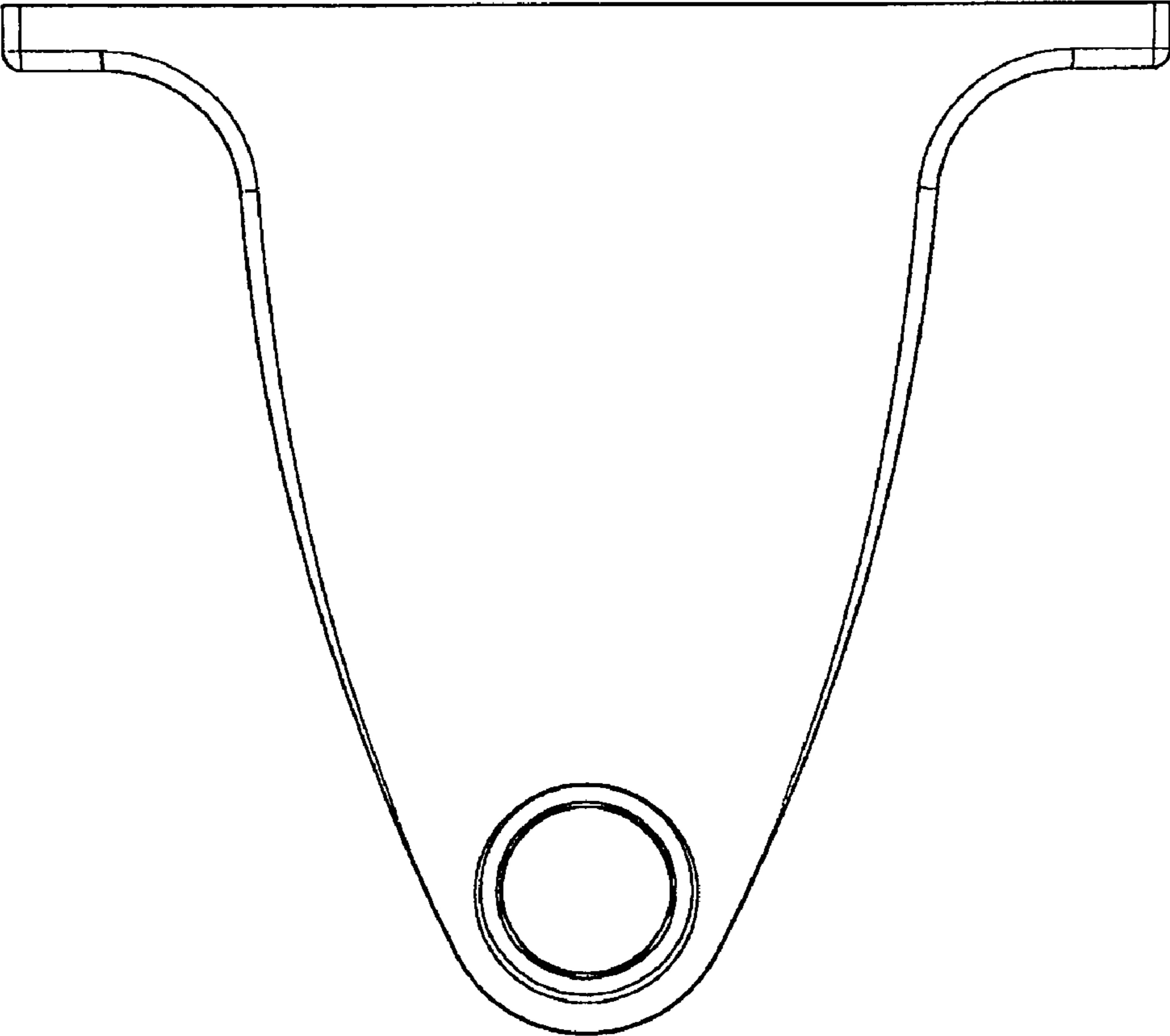


FIG.4

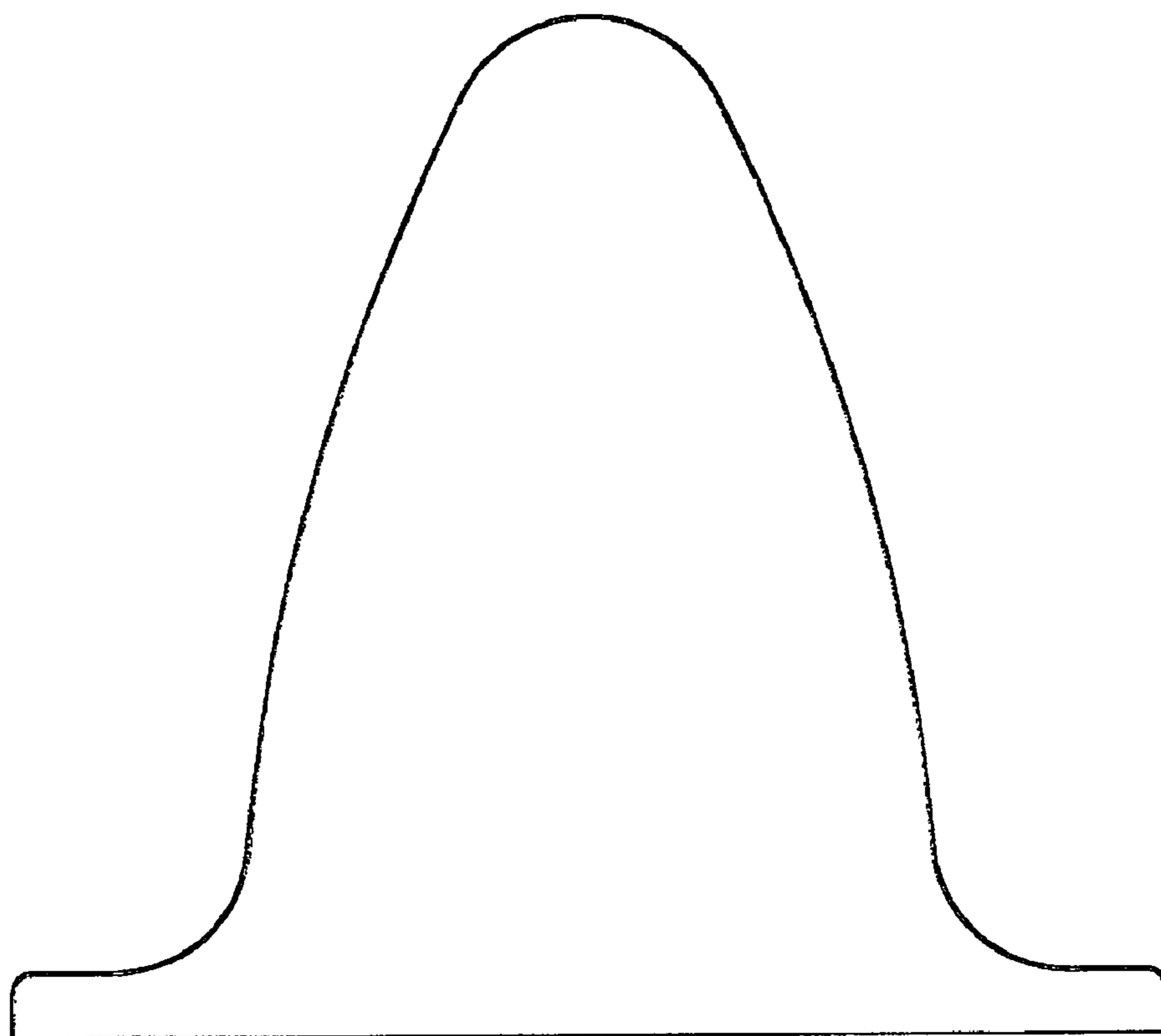


FIG.5

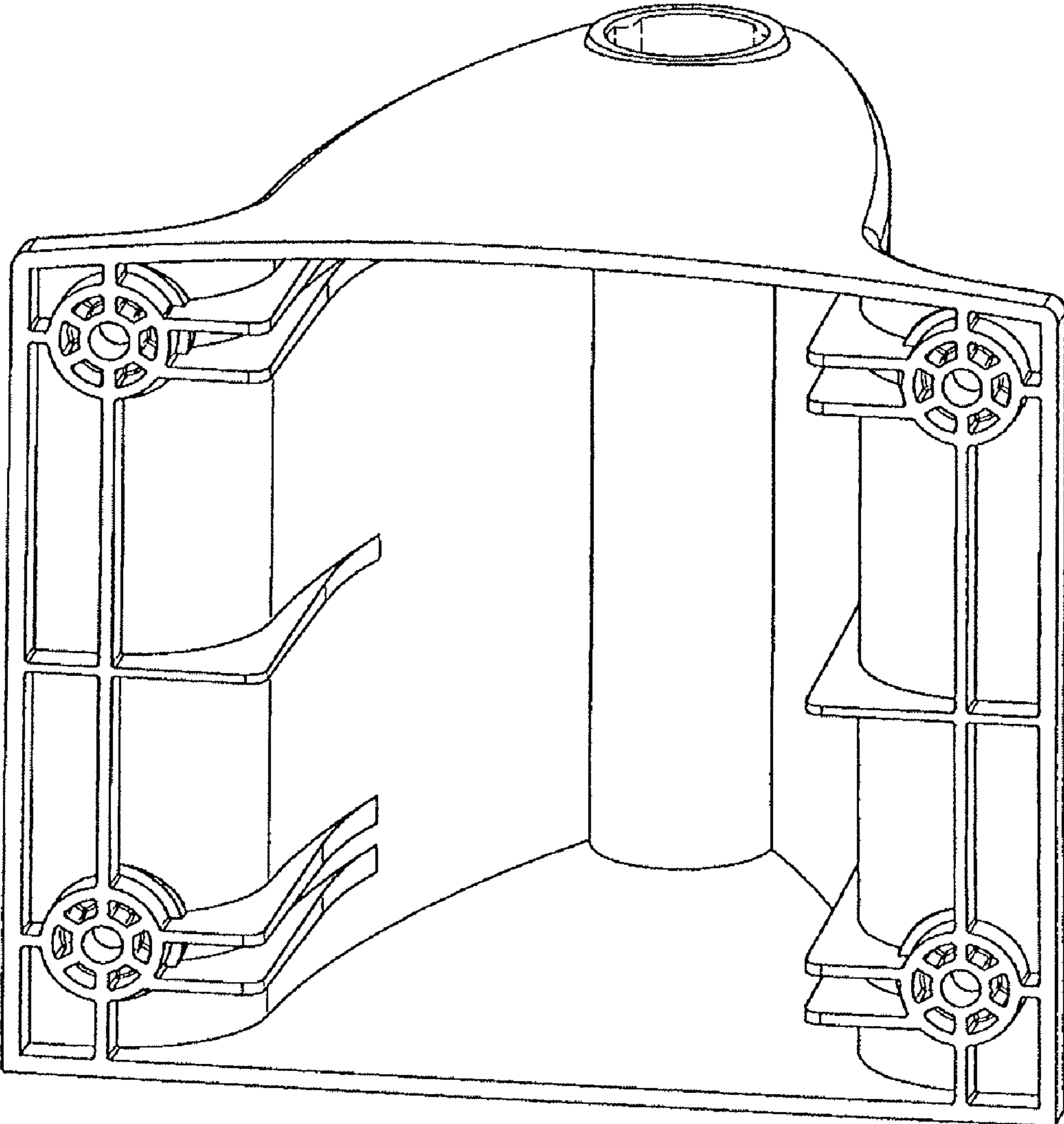


FIG.6

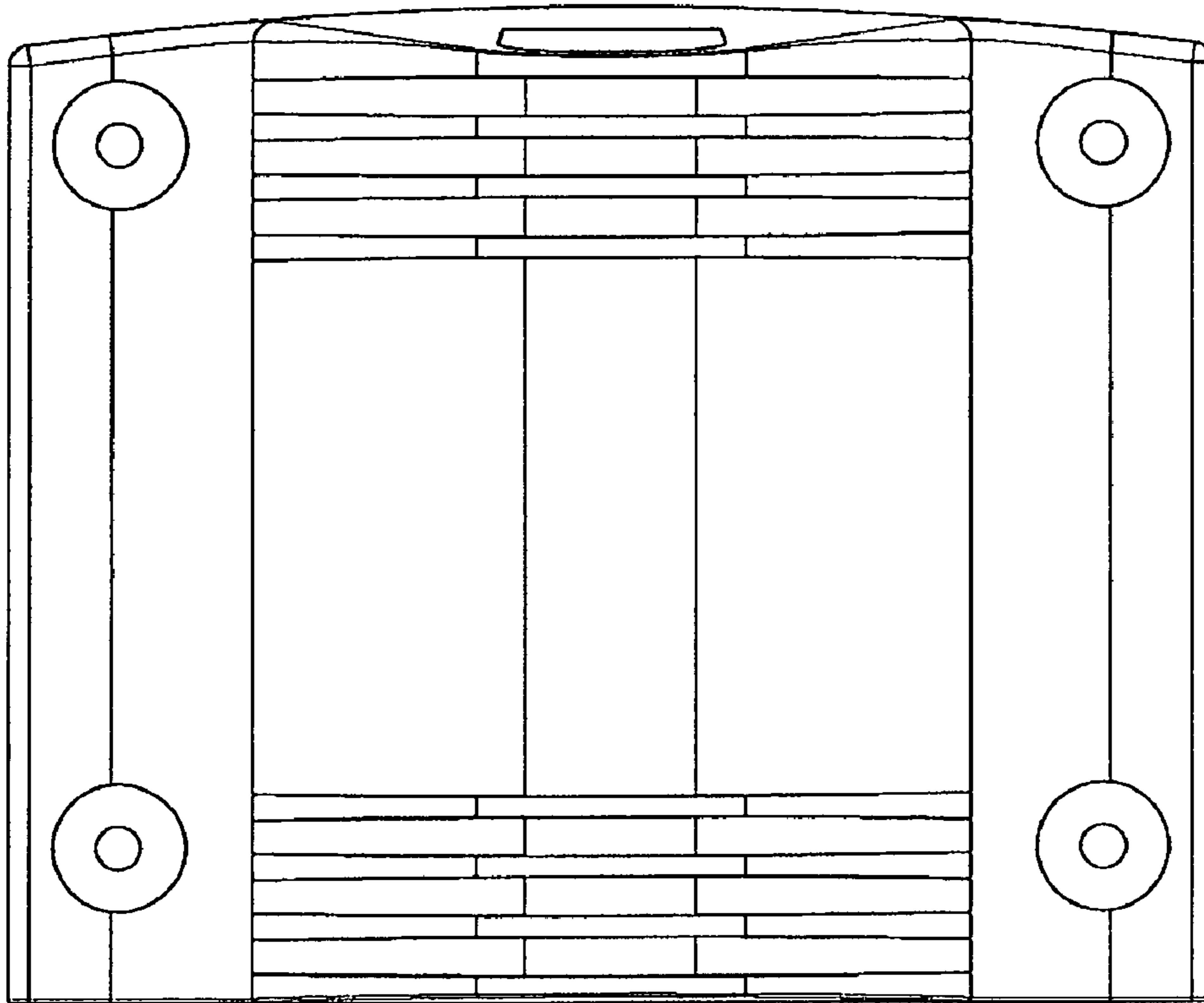


FIG. 7