



US00D632165S

(12) **United States Design Patent**
Daniel et al.

(10) **Patent No.:** **US D632,165 S**
(45) **Date of Patent:** **** Feb. 8, 2011**

(54) **PULLING EYE**

DESCRIPTION

(75) Inventors: **Allan Wayne Daniel**, Woodland, AL (US); **Timothy M. Andrea**, Douglasville, GA (US)

(73) Assignee: **Southwire Company**, Carrollton, GA (US)

(**) Term: **14 Years**

(21) Appl. No.: **29/368,014**

(22) Filed: **Aug. 17, 2010**

Related U.S. Application Data

(62) Division of application No. 29/340,662, filed on Jul. 23, 2009.

(51) **LOC (9) Cl.** **08-08**

(52) **U.S. Cl.** **D8/382**

(58) **Field of Classification Search** D8/383, D8/367, 356, 349, 382; 24/115 A, 122.6; 254/134.3 R; 403/275, 379.5, 165, 2

See application file for complete search history.

(56) **References Cited**

U.S. PATENT DOCUMENTS

2,007,411 A * 7/1935 Sticha 162/118 (Continued)

OTHER PUBLICATIONS

User Guide, "Reusable Power Eye" by Condux International, Inc., Literature Part No. 08917089, Revision No. 2.5, Copyright 2008; 2 pages. Accessed from <http://www.condux.com>. (Continued)

Primary Examiner—Holly H Baynham

Assistant Examiner—Sheryl Lane

(74) *Attorney, Agent, or Firm*—Hope Baldauff Hartman, LLC

(57) **CLAIM**

The ornamental design for a pulling eye, as shown and described.

FIG. 1 is a perspective view of a pulling eye, where the broken line showing of a head portion of the pulling eye is for the purpose of illustrating portions of the article and forms no part of the claimed design;

FIG. 2 is a right side view of the pulling eye, where the broken line showing of the head portion of the pulling eye is for the purpose of illustrating portions of the article and forms no part of the claimed design;

FIG. 3 is a top view of the pulling eye, where the broken line showing of the head portion of the pulling eye is for the purpose of illustrating portions of the article and forms no part of the claimed design;

FIG. 4 is a front view of the pulling eye, where the broken line showing of the head portion of the pulling eye is for the purpose of illustrating portions of the article and forms no part of the claimed design;

FIG. 5 is a rear view of the pulling eye, where the broken line showing of an aperture in the head portion of the pulling eye is for the purpose of illustrating portions of the article and forms no part of the claimed design;

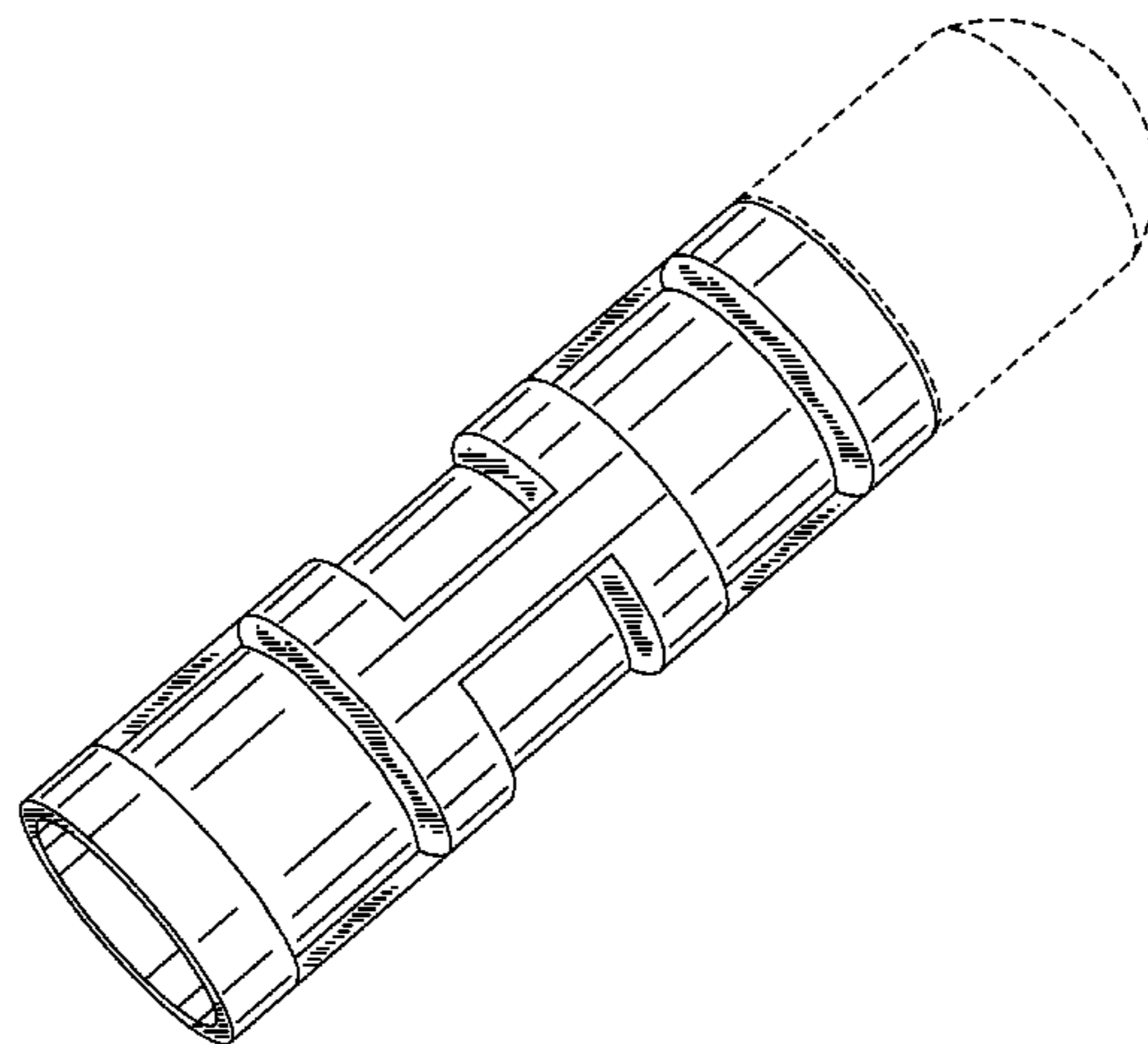
FIG. 6 is an exploded view of the pulling eye showing a first alternative for connecting the head portion of the pulling eye to a barrel portion of the pulling eye, where the broken line showing of the head portion of the pulling eye is for the purpose of illustrating portions of the article and forms no part of the claimed design; and,

FIG. 7 is an exploded view of the pulling eye showing a second alternative for connecting the head portion of the pulling eye to the barrel portion of the pulling eye, where the broken line showings of the head portion of the pulling eye and a screw portion of the barrel portion of the pulling eye are for the purpose of illustrating portions of the article and form no part of the claimed design.

The left side view and bottom view of the pulling eye are not shown, as they are identical to the right side view and top view of the pulling eye shown in FIGS. 2 and 3, respectively.

The broken line showing of the pulling eye is included for the purpose of illustrating portions of the article and forms no part of the claimed design.

1 Claim, 5 Drawing Sheets



U.S. PATENT DOCUMENTS

2,007,441	A *	7/1935	Candy, Jr.	118/69
2,615,074	A	10/1952	Bronovicki	
3,989,400	A	11/1976	Smith et al.	
4,101,114	A *	7/1978	Martin et al.	254/134.3 FT
4,183,692	A	1/1980	Durr	
4,337,923	A *	7/1982	Smith	254/134.3 FT
4,460,159	A *	7/1984	Charlebois et al.	254/134.3 R
4,609,180	A *	9/1986	Fisher et al.	254/134.3 R
4,691,988	A	9/1987	Tremblay et al.	
5,013,125	A	5/1991	Nilsson et al.	
5,122,007	A	6/1992	Smith	
5,197,715	A *	3/1993	Griffioen	254/134.4
D346,734	S	5/1994	Rohr	
6,883,782	B2 *	4/2005	Ames et al.	254/134.3 FT
7,182,306	B2 *	2/2007	Tsutsumida et al.	248/638
7,246,789	B2 *	7/2007	Ames et al.	254/134
D604,594	S	11/2009	Lin	
D605,499	S	12/2009	Gaudron	
2004/0041136	A1	3/2004	Ames et al.	

OTHER PUBLICATIONS

Installation Guide, "Crimp-On Pulling Eyes" by Condux International, Inc., Literature Part No. 08920097, Revision No. 2.00, Copyright 1998, 16 pages. Accessed from <http://www.condux.com>.
 DCD Design Catalog, Cable Pulling Eyes Section, "Power Cable Pulling Eyes 00925 / 24000 / 24100 Series," p. 24. Accessed from www.dcdesign.com Jul. 2007 Catalog; 1 page.
 DCD Design Catalog, Cable Pulling Eyes Section, "24000 Power-Grip™ (lug) 24100 Power-Grip™ (clevis)," p. 25. Accessed from www.dcdesign.com Jul. 2007 Catalog; 1 page.

DCD Design Catalog, Cable Pulling Eyes Section, "Multiplex Pushing Eye 24200 Series," p. 26. Accessed from www.dcdesign.com Jul. 2007 Catalog; 1 page.
 DCD Design Catalog, Cable Pulling Eyes Section, "Mimi Grip 24500 Series / Pulling Harness 25000 Series," p. 27. Accessed from www.dcdesign.com Jul. 2007 Catalog; 1 page.
 "Grips Double Lock System," new product information page, accessed Mar. 18, 2010 from <http://www.maxis-tools.com/>, 1 page.
 "Grips Maxis," product information page, accessed Mar. 18, 2010 from <http://www.maxis-tools.com/product/grips/>, 1 page.
 "Utility Industries, Inc (UII)," product information page, accessed Mar. 18, 2010 from <http://utilityindustries.com/products.html>, 1 page.
 "Greenlee," product information page, accessed Mar. 18, 2010 from http://www.mygreenlee.com/Products/main.shtml?greenlee_category_id=10&product_category=109&adodb_next_page=1&portalProcess_2=showGreenleeProductTemplate&upc_number=31855, 1 page.
 "Spaced and Overlapping Crimps" and "Crimp Configurations", product information page, Copyright 2007 FCI USA, Inc., 1 page. Canadian Official Action dated Feb. 25, 2010 in Canadian Design Serial No. 133807.
 International Search Report and Written Opinion dated May 12, 2010 in International Application No. PCT/US10/028113.
 U.S. Appl. No. 12/726,992, filed Mar. 18, 2010 entitled "Integrated Systems Facilitating Wire and Cable Installations", Inventors: Carlson et al.
 U.S. Official Action dated Apr. 27, 2010 in U.S. Appl. No. 29/340,662.
 U.S. Notice of Allowance / Allowability dated Jun. 23, 2010 in U.S. Appl. No. 29/340,662.
 * cited by examiner

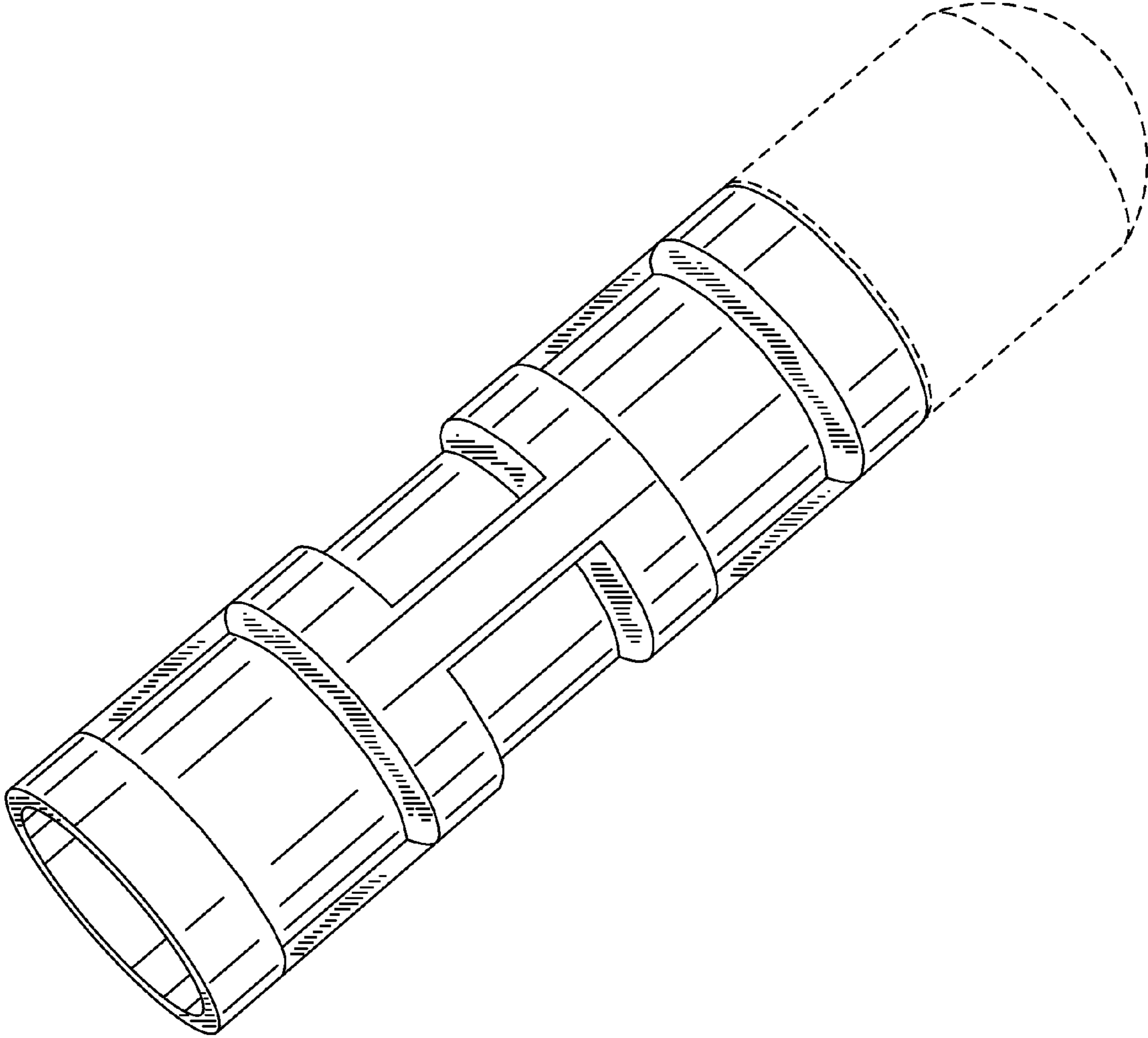


FIG. 1

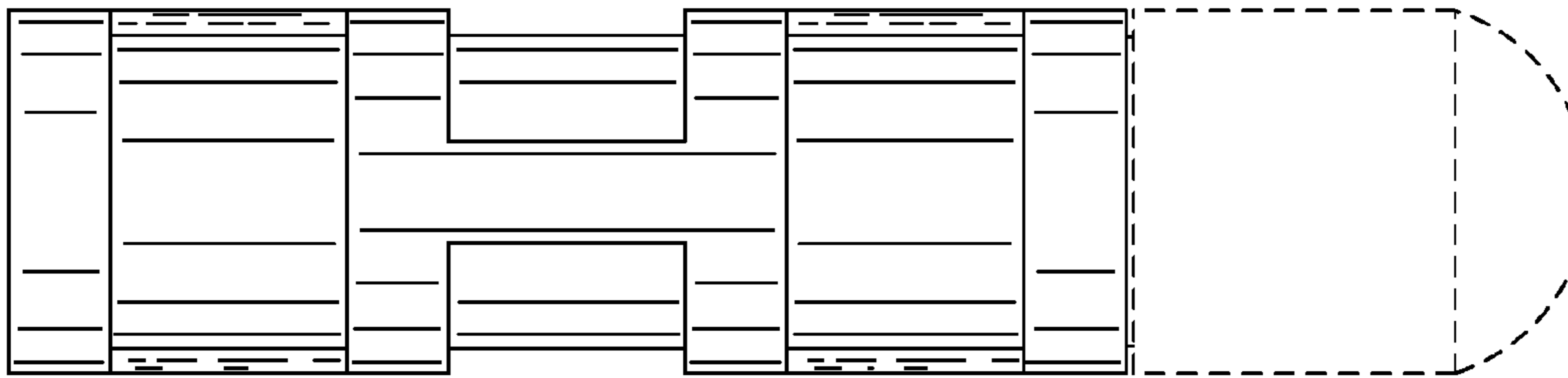


FIG. 2

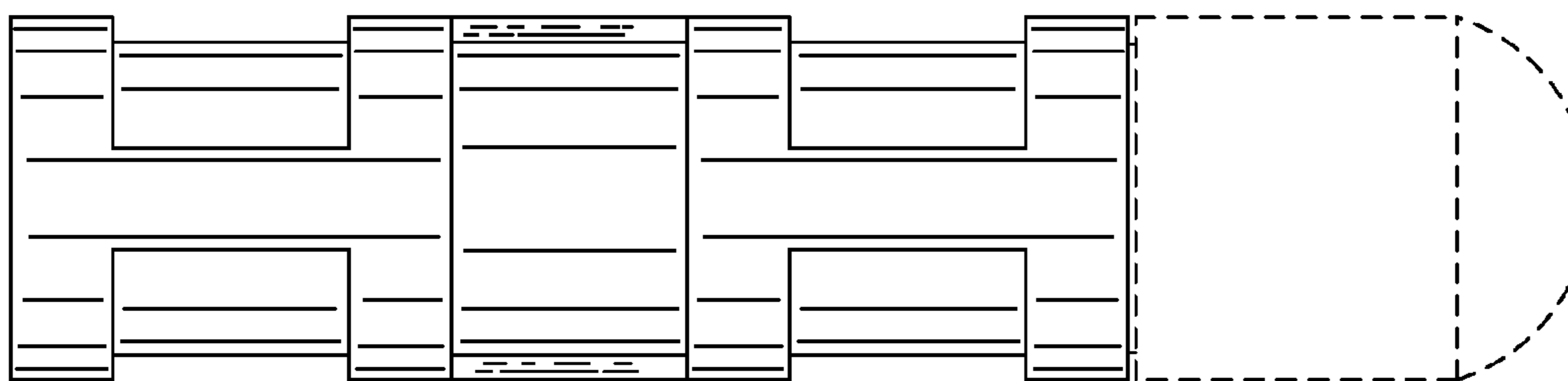


FIG. 3

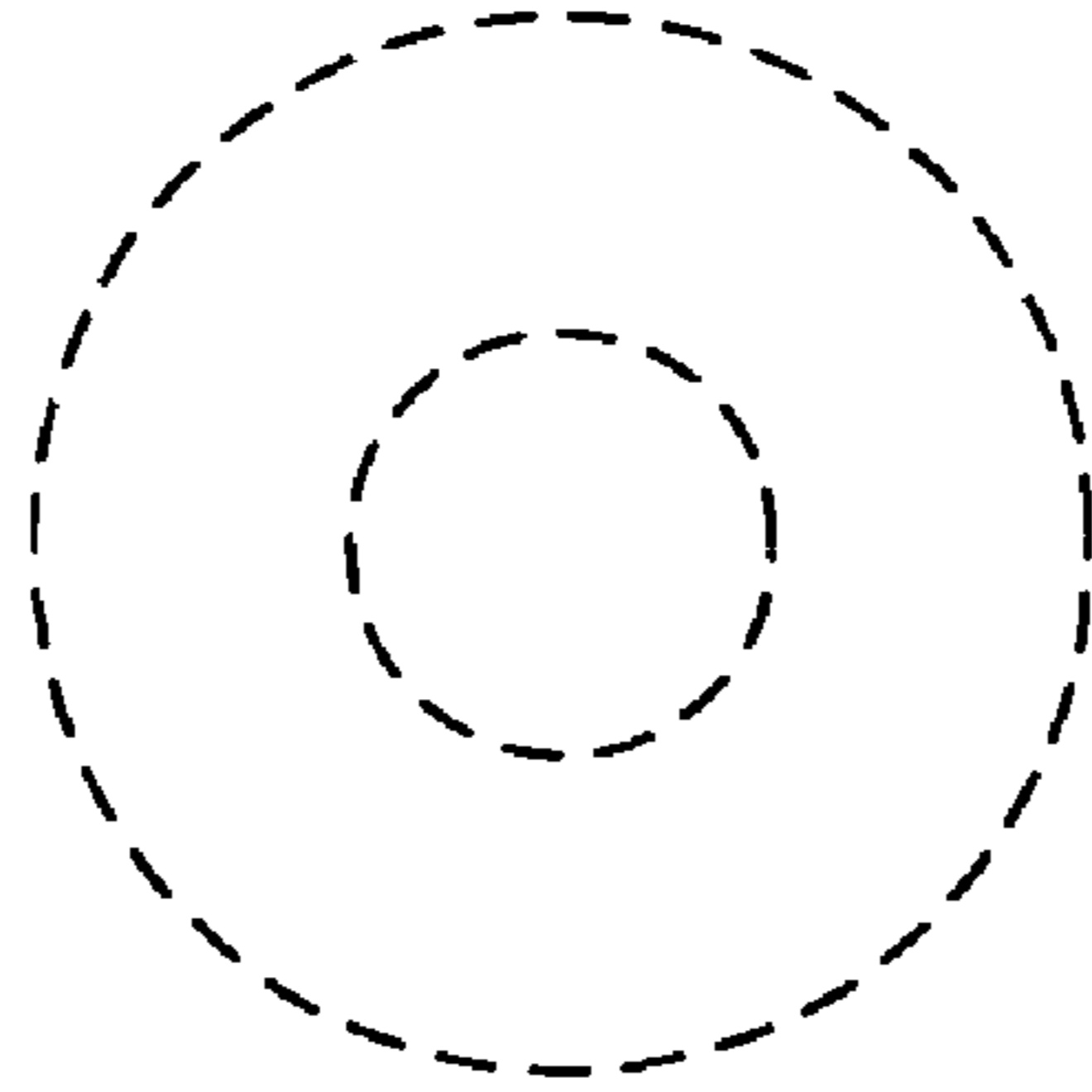


FIG. 4

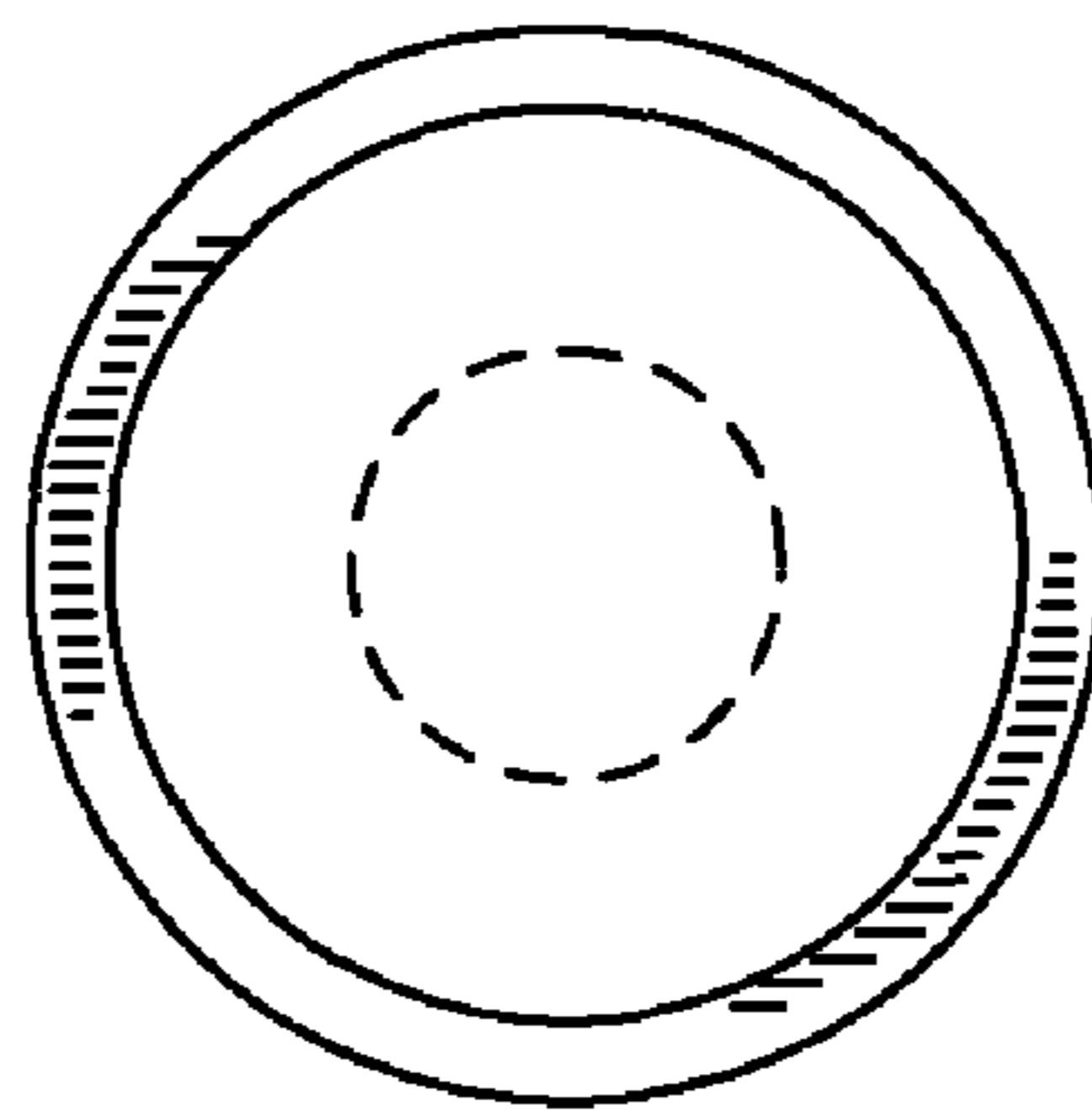


FIG. 5

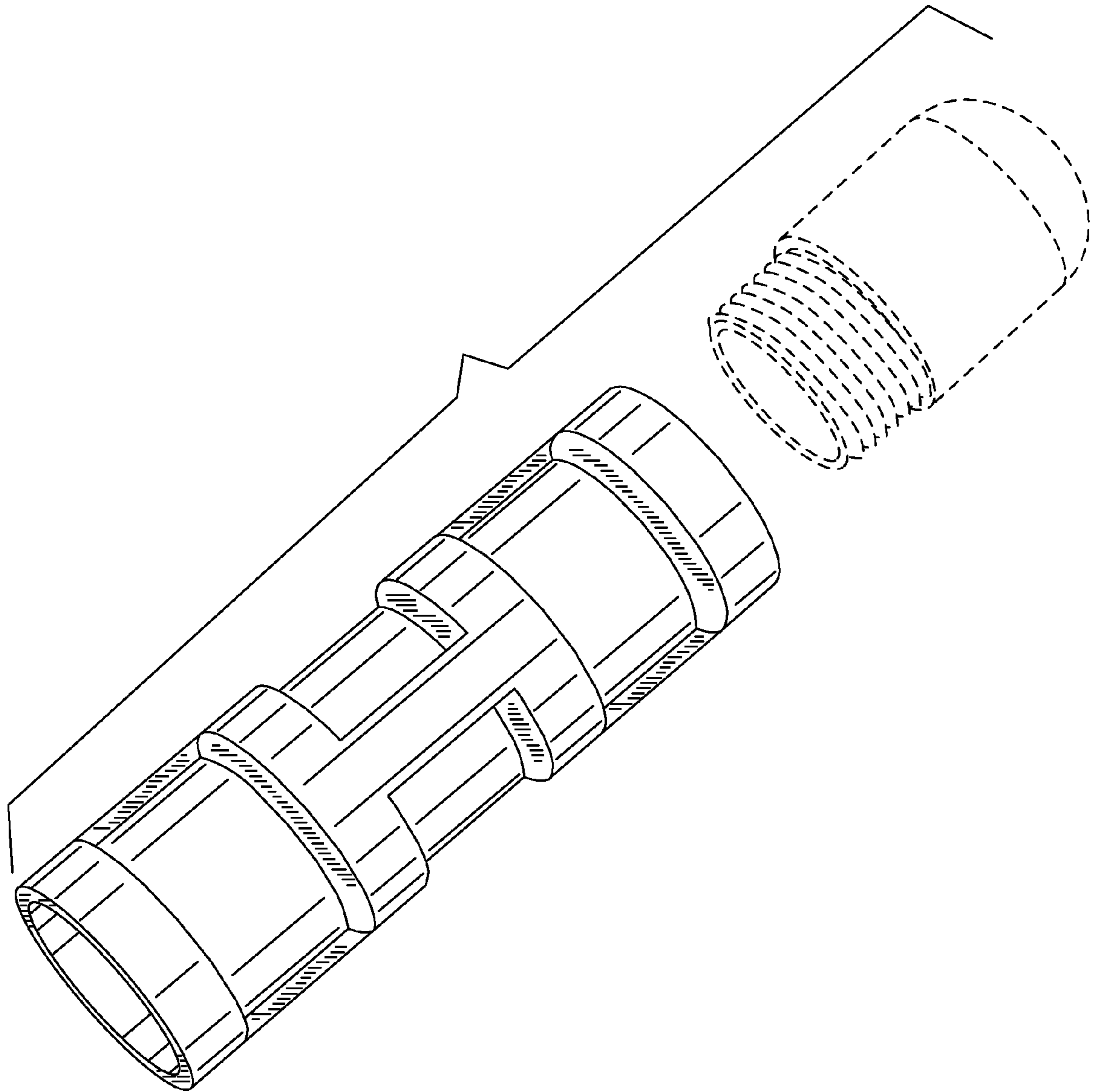


FIG. 6

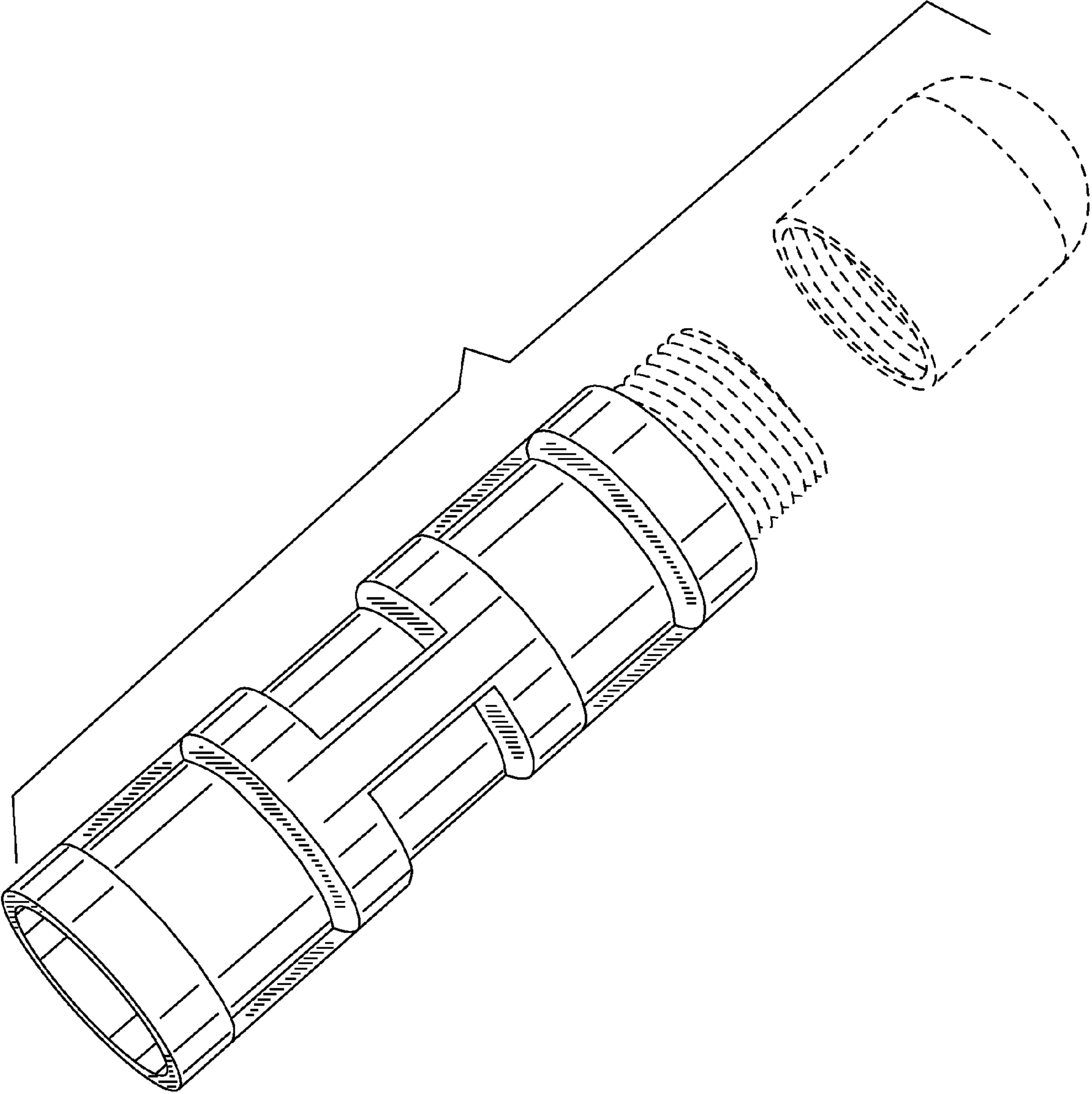


FIG. 7