



US00D632164S

(12) **United States Design Patent**
Lappin

(10) **Patent No.:** **US D632,164 S**

(45) **Date of Patent:** **** Feb. 8, 2011**

(54) **INSTALLATION PILOT DEVICE**

(75) **Inventor:** **Rick Allan Lappin**, New London, NC
(US)

(73) **Assignee:** **Fiber Composites, LLC**, New London,
NC (US)

(**) **Term:** **14 Years**

(21) **Appl. No.:** **29/350,681**

(22) **Filed:** **Nov. 20, 2009**

(51) **LOC (9) Cl.** **08-08**

(52) **U.S. Cl.** **D8/382**

(58) **Field of Classification Search** D8/382,
D8/349, 354, 373; 403/169, 167; 248/300,
248/309.1; 52/702, 712, 586.1, 582.1, 650.3;
D25/114

See application file for complete search history.

(56) **References Cited**

U.S. PATENT DOCUMENTS

5,160,211	A *	11/1992	Gilb	403/231
5,775,048	A *	7/1998	Orchard	52/712
D427,050	S *	6/2000	Bryan	D8/382
D451,785	S *	12/2001	Chaney et al.	D8/354
6,481,937	B1 *	11/2002	Sommerfeld et al.	408/115 R
D470,039	S *	2/2003	Pelc	D8/382
D488,373	S *	4/2004	Eberle	D8/382
7,104,022	B2 *	9/2006	Burgess	52/702
D547,169	S *	7/2007	Harris	D8/382
D562,119	S *	2/2008	Prichard et al.	D8/382
7,325,367	B2 *	2/2008	Burgess	52/702
D568,147	S *	5/2008	Prichard et al.	D8/382
7,409,803	B2 *	8/2008	Grohman	52/489.1

D585,269	S *	1/2009	Prichard et al.	D8/382
7,516,586	B2 *	4/2009	Riccitelli	52/586.1
D613,593	S *	4/2010	King	D8/382

* cited by examiner

Primary Examiner—Holly H Baynham

Assistant Examiner—Sheryl Lane

(74) *Attorney, Agent, or Firm*—Kenyon & Kenyon LLP

(57) **CLAIM**

The ornamental design for an installation pilot device, as shown and described.

DESCRIPTION

FIG. 1 is a perspective view of an embodiment of an installation pilot device showing my new design;

FIG. 2 is a left side view thereof, the right side view being identical to the left side view;

FIG. 3 is a top view thereof;

FIG. 4 is a bottom view thereof;

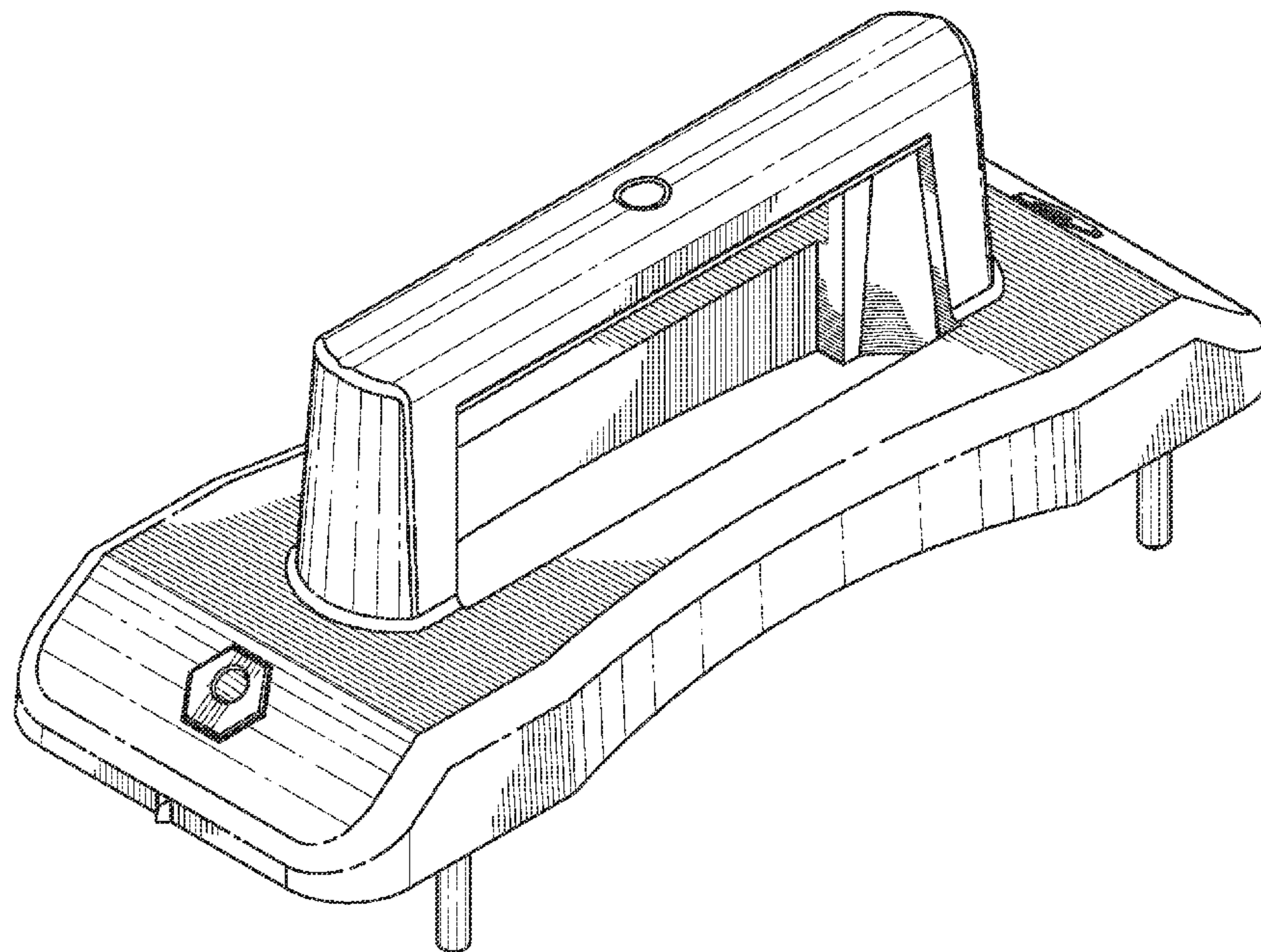
FIG. 5 is a front view thereof, the rear view being identical to the front view;

FIG. 6 is a perspective view of an embodiment of an installation pilot device showing my new design; and,

FIG. 7 is a top view thereof, the left and right side views thereof being identical to FIG. 2, the bottom view thereof being identical to FIG. 4, and the front and rear views being identical to FIG. 5.

The broken line showing of FIGS. 6 and 7 is included for the purpose of illustrating portions of the installation pilot device and forms no part of the claimed design.

1 Claim, 7 Drawing Sheets



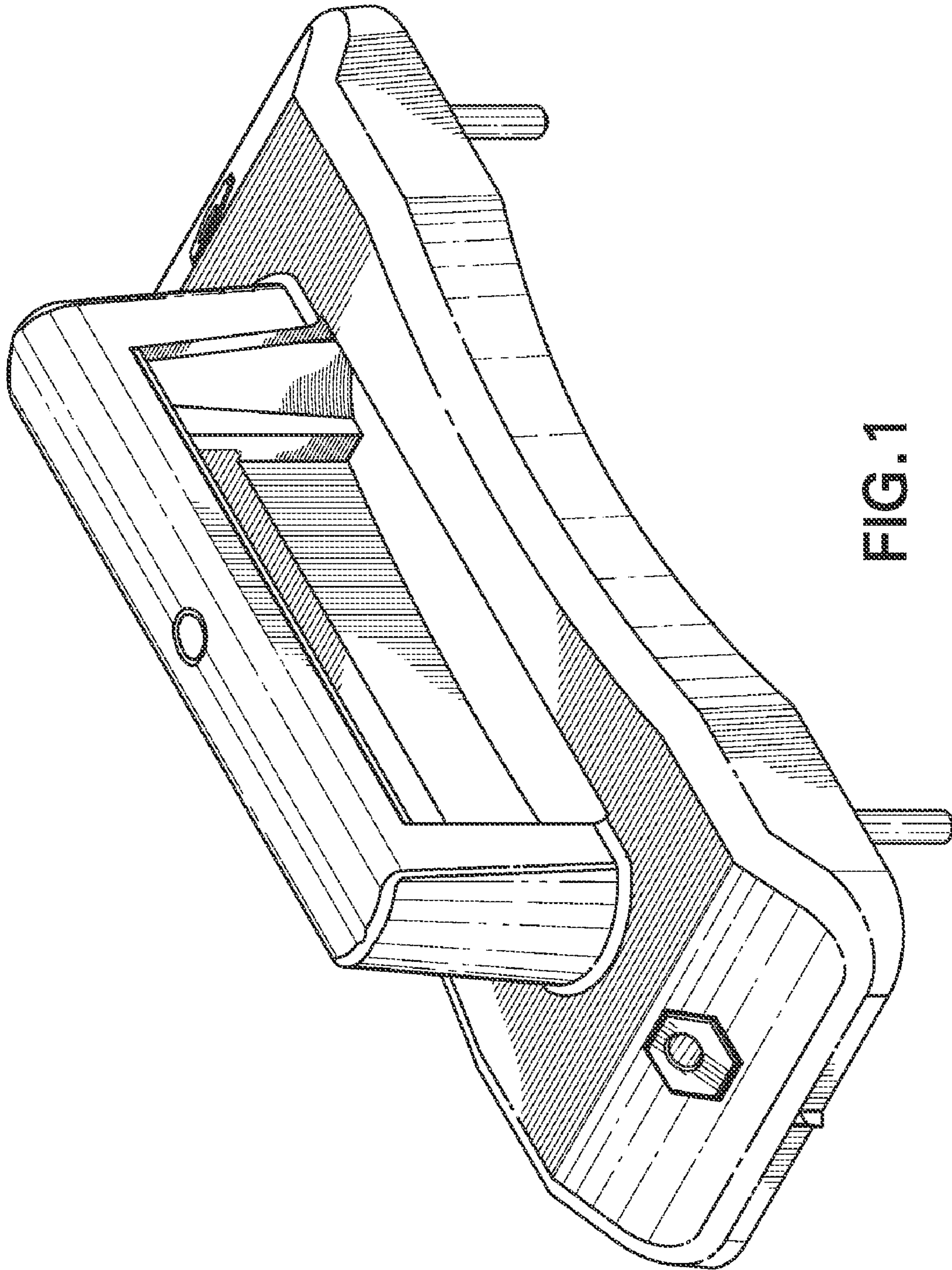


FIG. 1

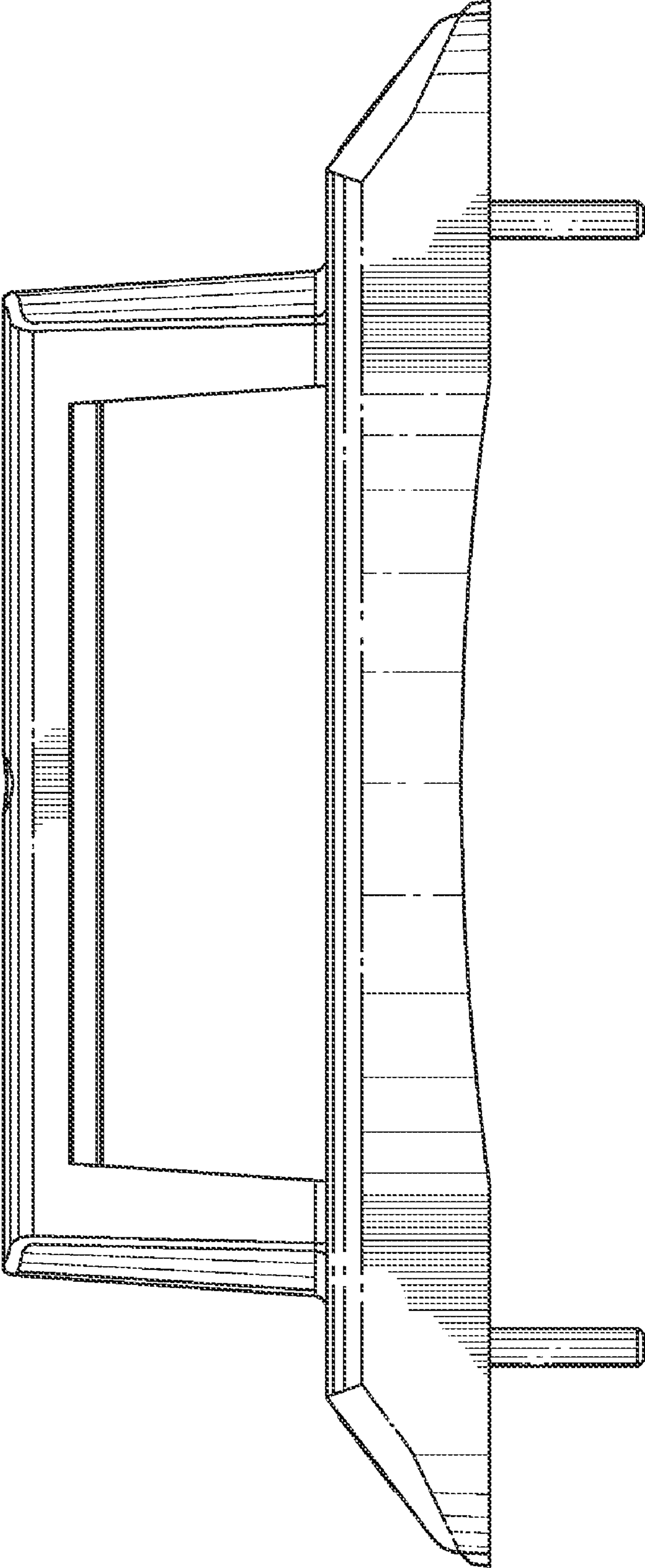


FIG. 2

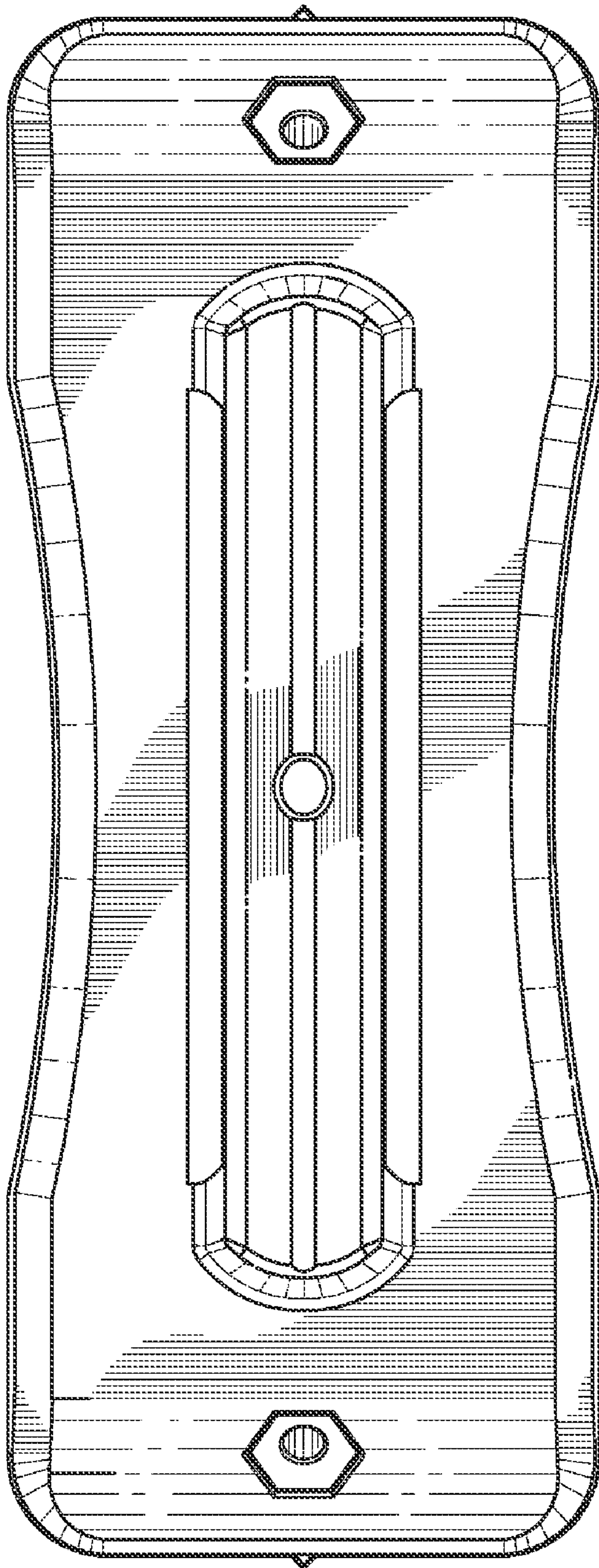


FIG. 3

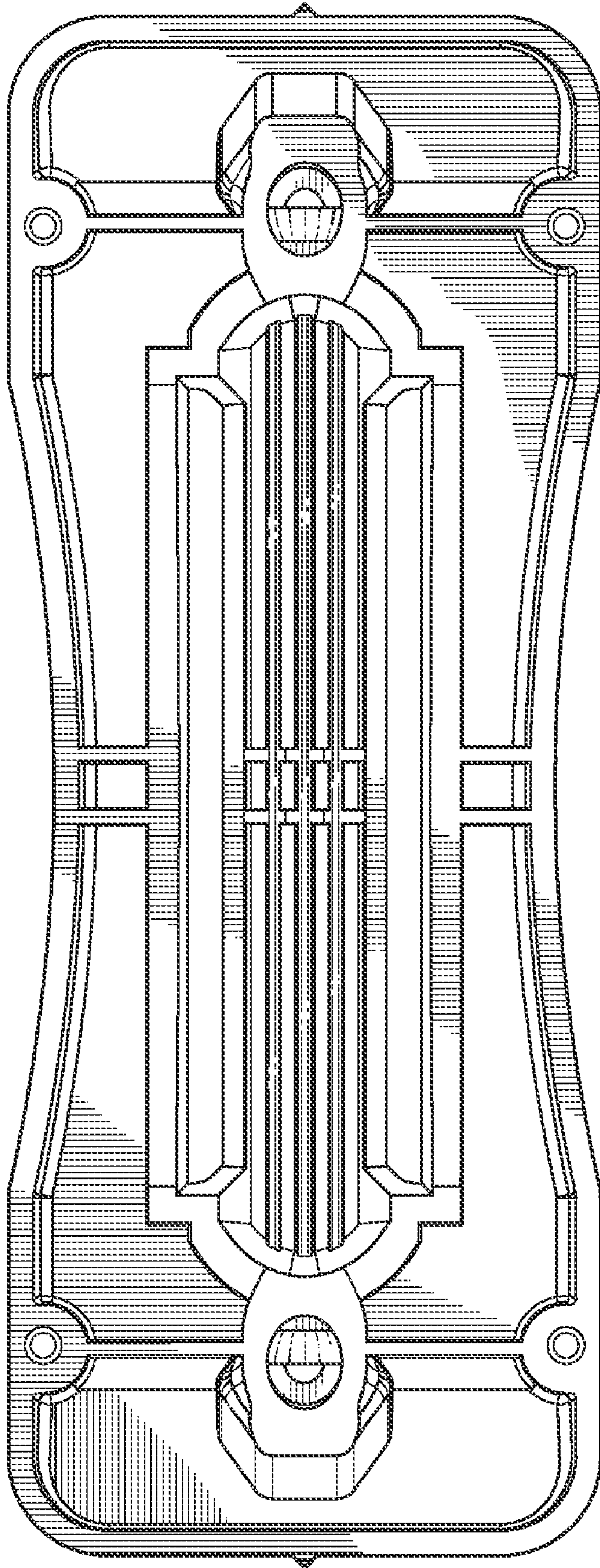


FIG. 4

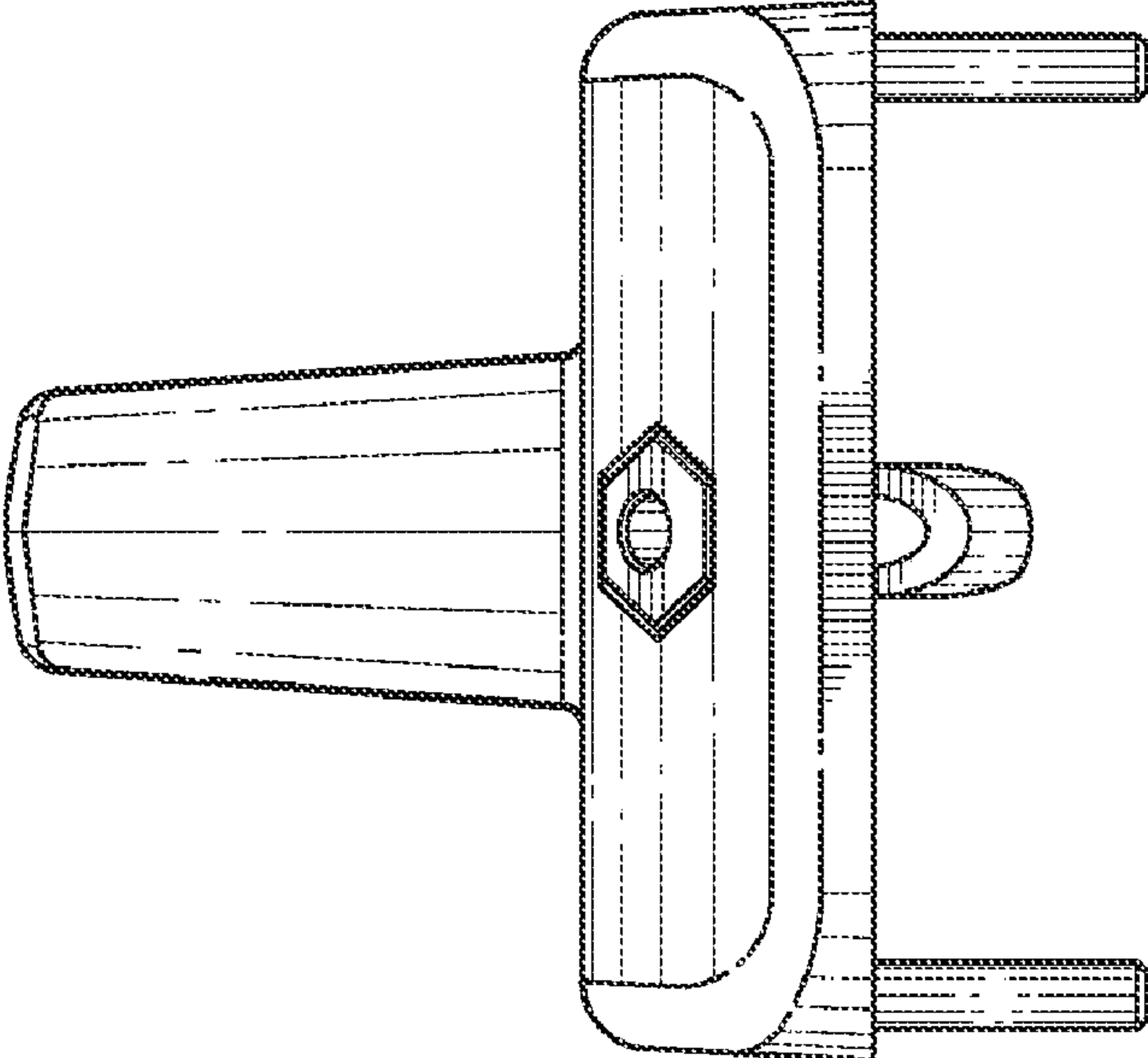


FIG. 5

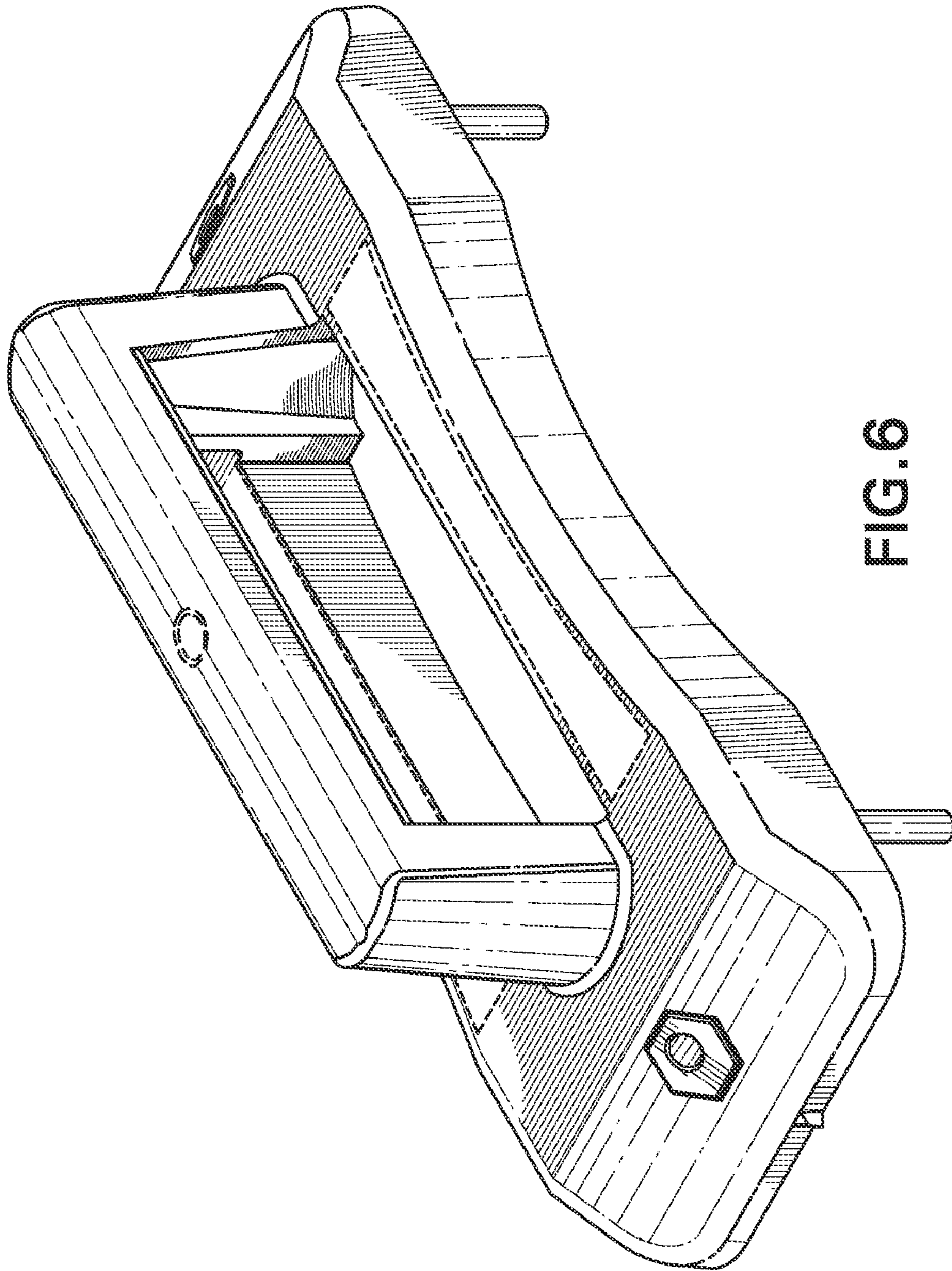


FIG. 6

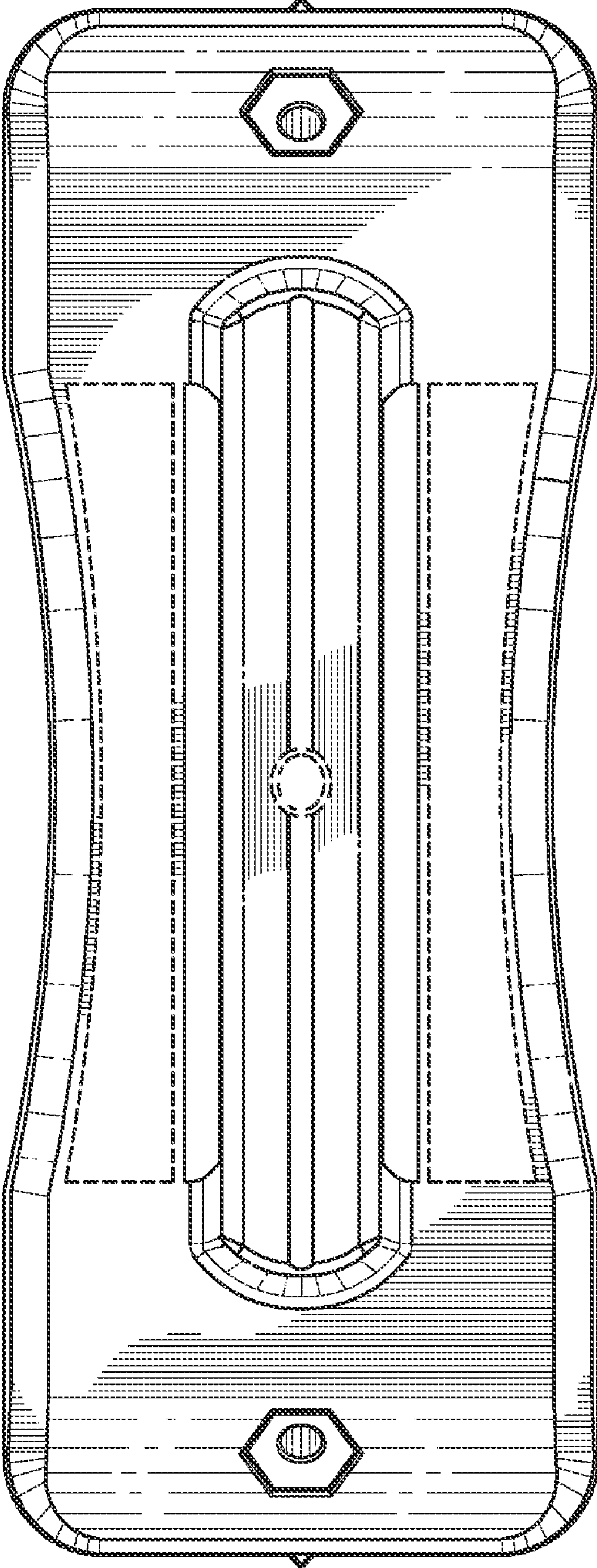


FIG. 7