

US00D632159S

(12) **United States Design Patent**  
**Charette**

(10) **Patent No.:** **US D632,159 S**

(45) **Date of Patent:** **\*\* Feb. 8, 2011**

(54) **ADJUSTABLE ROOF BRACKET**

(76) **Inventor:** **Pierre Charette**, 4521 rue des carouges,  
Notre-Dame-du-Mont Carmel, Quebec  
(CA) G0X 3J0

(\*\*) **Term:** **14 Years**

(21) **Appl. No.:** **29/311,281**

(22) **Filed:** **Feb. 9, 2009**

(51) **LOC (9) Cl.** ..... **08-05**

(52) **U.S. Cl.** ..... **D8/354**

(58) **Field of Classification Search** ..... D8/349,  
D8/354; 248/300-301, 200-201

See application file for complete search history.

(56) **References Cited**

**U.S. PATENT DOCUMENTS**

4,833,754	A *	5/1989	Yang	.....	16/339
D313,743	S *	1/1991	Mastrodicasa	.....	D8/381
5,711,052	A *	1/1998	Delaske	.....	16/364
D436,516	S *	1/2001	Lambacher et al.	.....	D8/349
D443,810	S *	6/2001	Ausilio	.....	D8/354
6,434,887	B2 *	8/2002	Nakanishi et al.	.....	49/246
D463,251	S *	9/2002	Shea	.....	D8/354
6,442,898	B1 *	9/2002	Wu	.....	49/246
6,513,776	B1 *	2/2003	Bissett	.....	248/309.1
D476,217	S *	6/2003	Shea	.....	D8/354
D482,314	S *	11/2003	McCoy et al.	.....	D12/223

D511,086	S *	11/2005	Craine	.....	D8/354
7,024,728	B2 *	4/2006	Muir	.....	16/366
D559,096	S *	1/2008	Hori	.....	D8/400
D599,272	S *	9/2009	Feder	.....	D12/223
D600,627	S *	9/2009	Toll et al.	.....	D12/411
2001/0013202	A1 *	8/2001	Nakanishi et al.	.....	49/250
2003/0150084	A1 *	8/2003	Muir	.....	16/366
2005/0011049	A1 *	1/2005	Muir	.....	16/366
2006/0265957	A1 *	11/2006	Muir	.....	49/345

\* cited by examiner

*Primary Examiner*—Elizabeth A Albert

*Assistant Examiner*—Kelley A Donnelly

(74) *Attorney, Agent, or Firm*—Welsh Flaxman & Gitler LLC

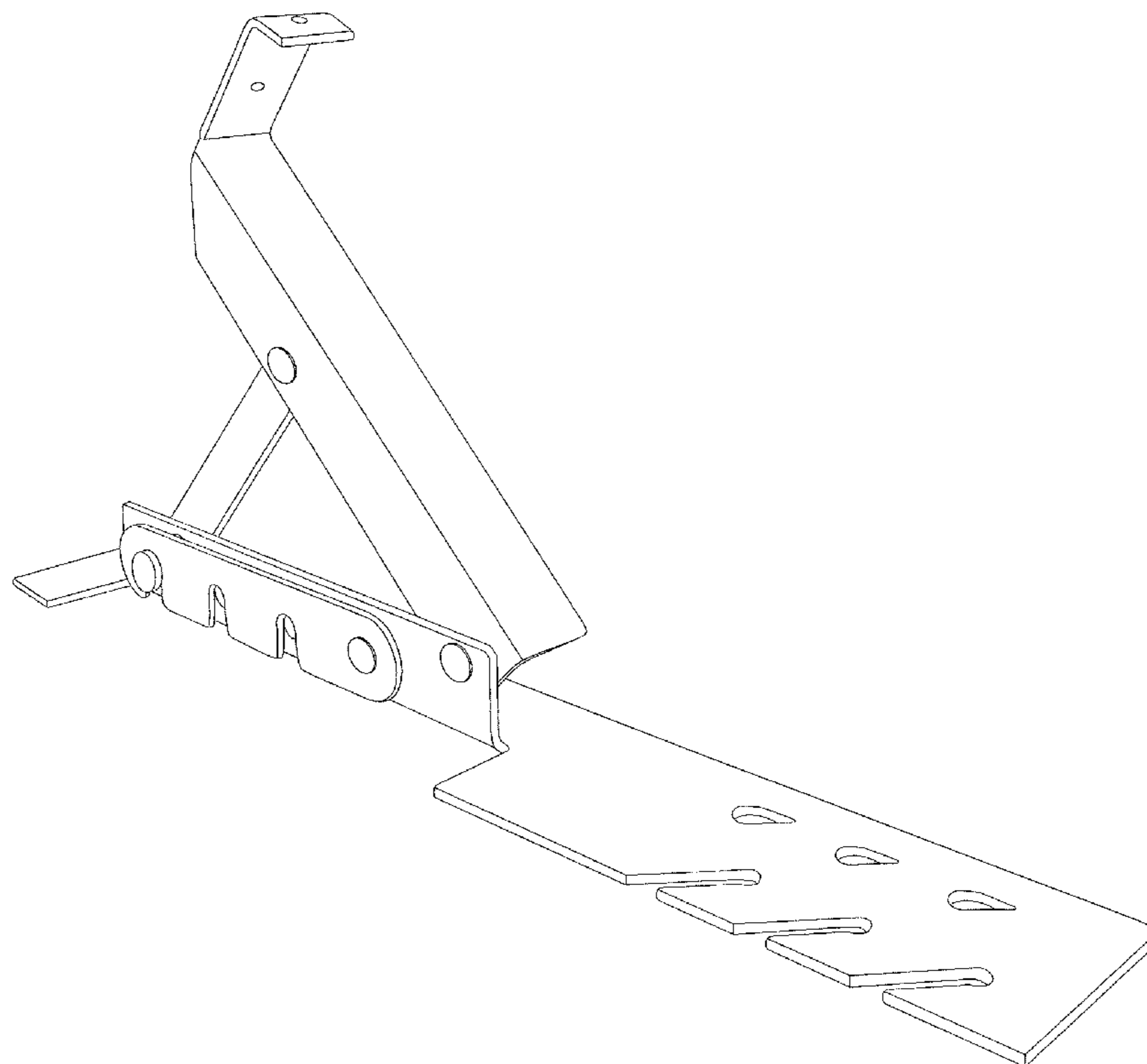
(57) **CLAIM**

The ornamental design for an adjustable roof bracket, as shown, and described.

**DESCRIPTION**

FIG. 1 is a perspective view of the adjustable roof bracket;  
FIG. 2 is a right side view of the adjustable roof bracket;  
FIG. 3 is left side view of the adjustable roof bracket;  
FIG. 4 is a front view of the adjustable roof bracket;  
FIG. 5 is a back side view of the adjustable roof bracket;  
FIG. 6 is a top view of the adjustable roof bracket; and,  
FIG. 7 is a bottom view of the adjustable roof bracket.

**1 Claim, 7 Drawing Sheets**



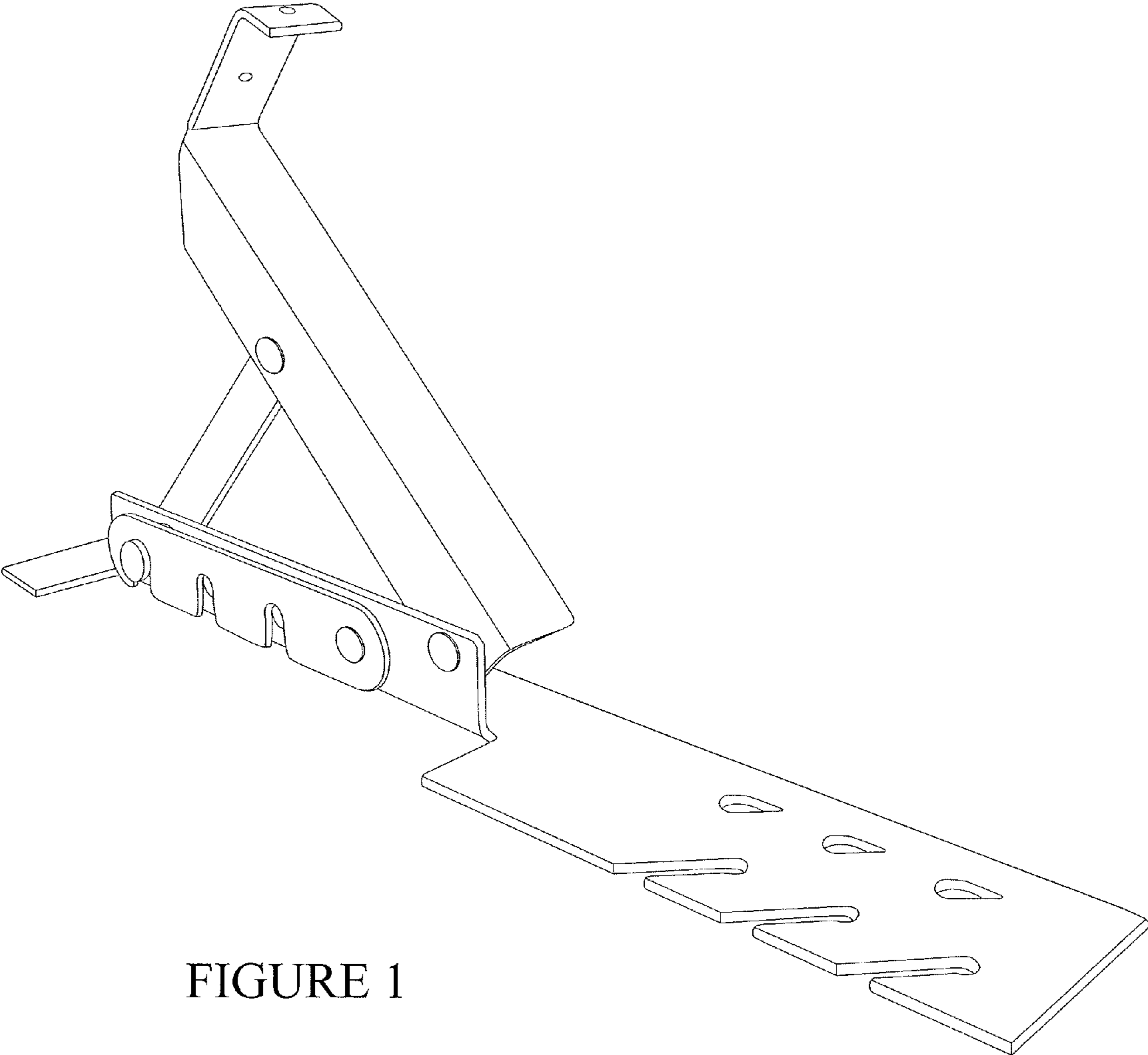


FIGURE 1

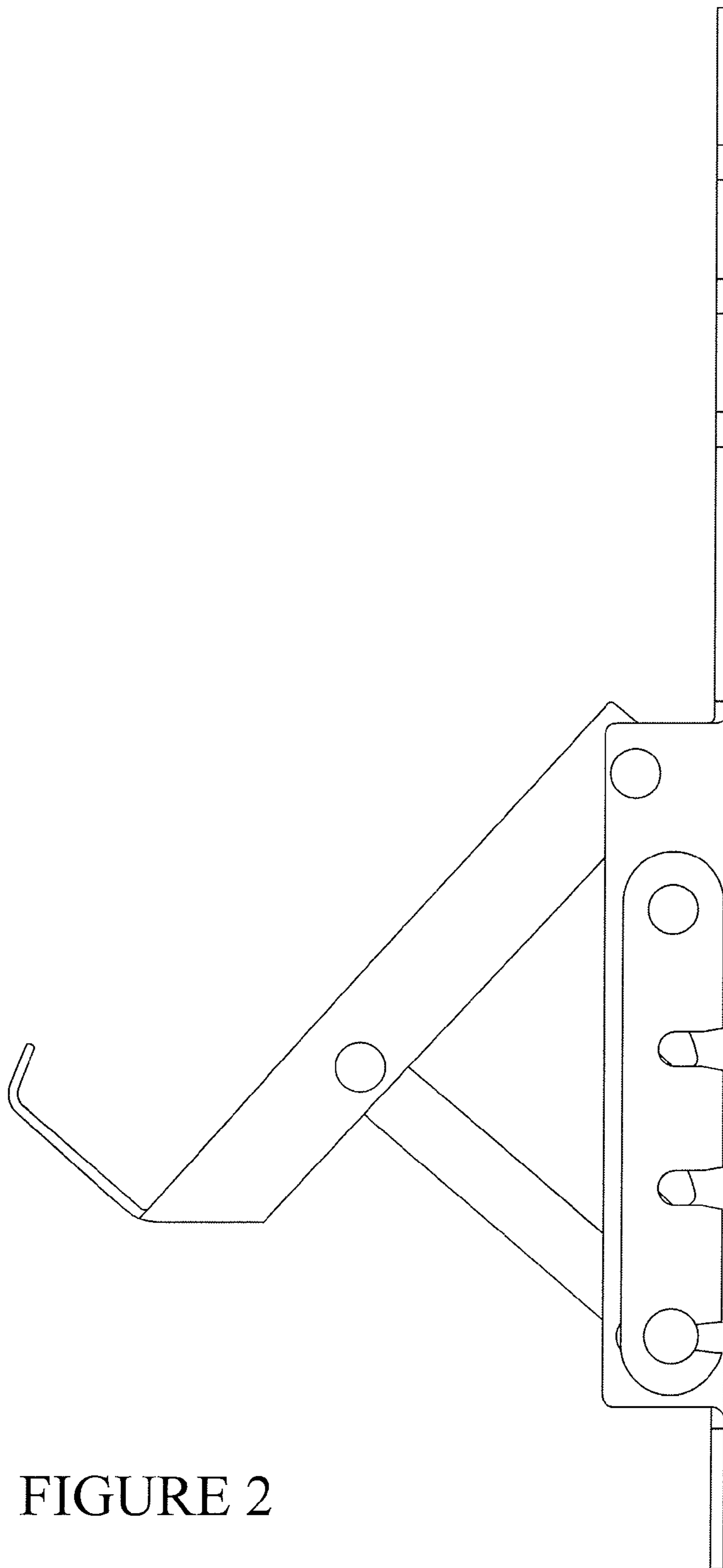


FIGURE 2

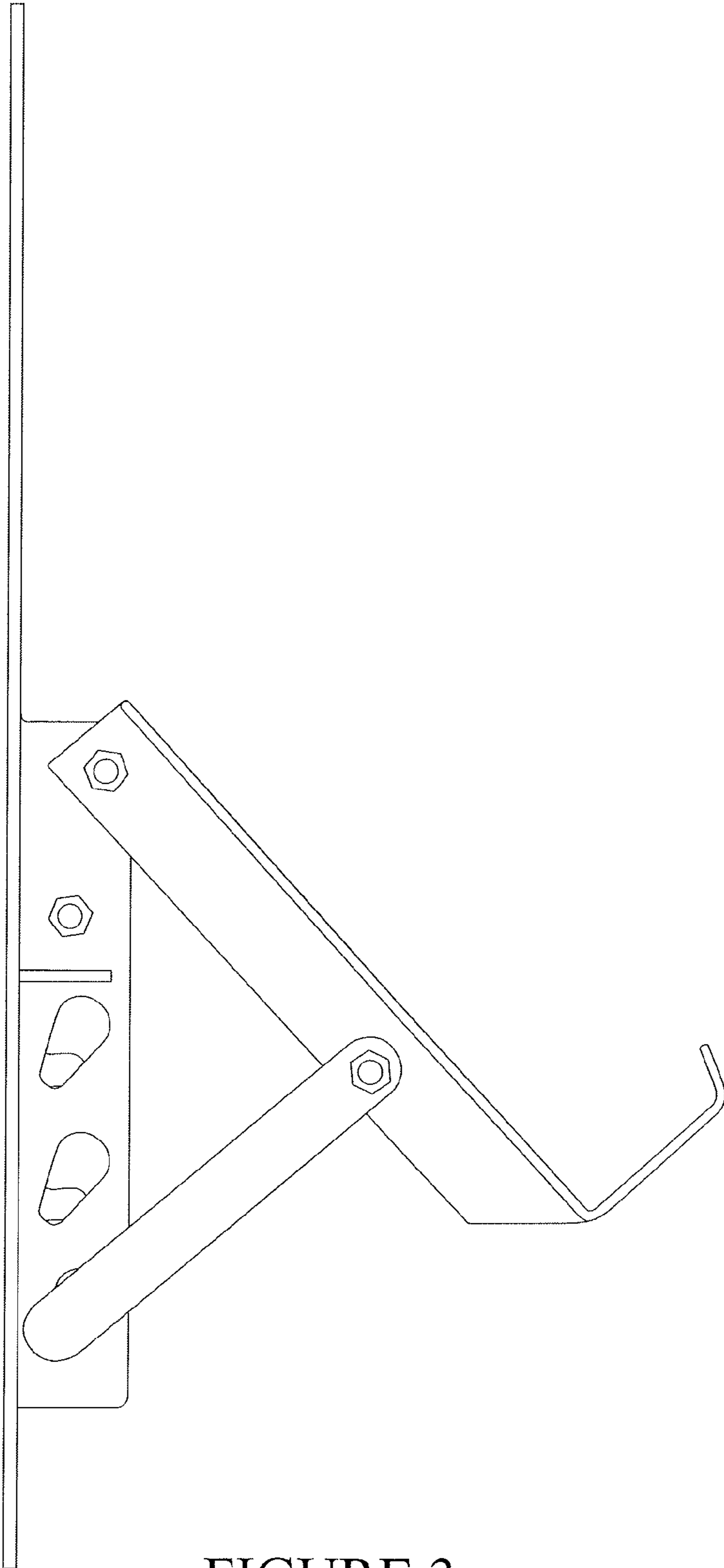


FIGURE 3

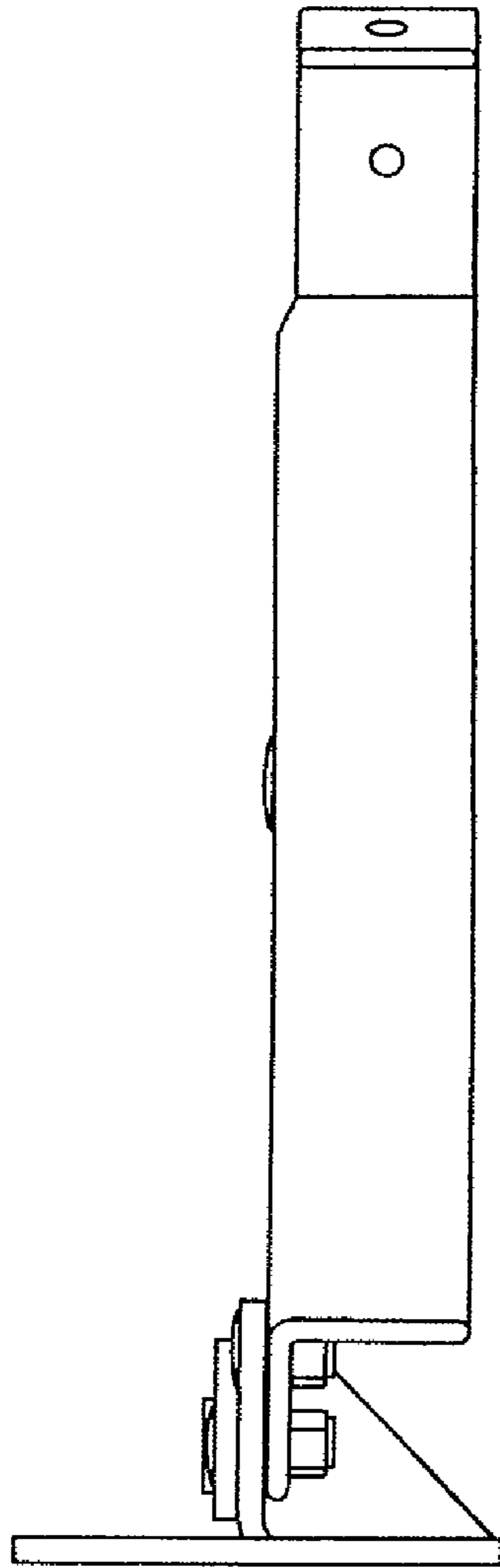


FIGURE 4

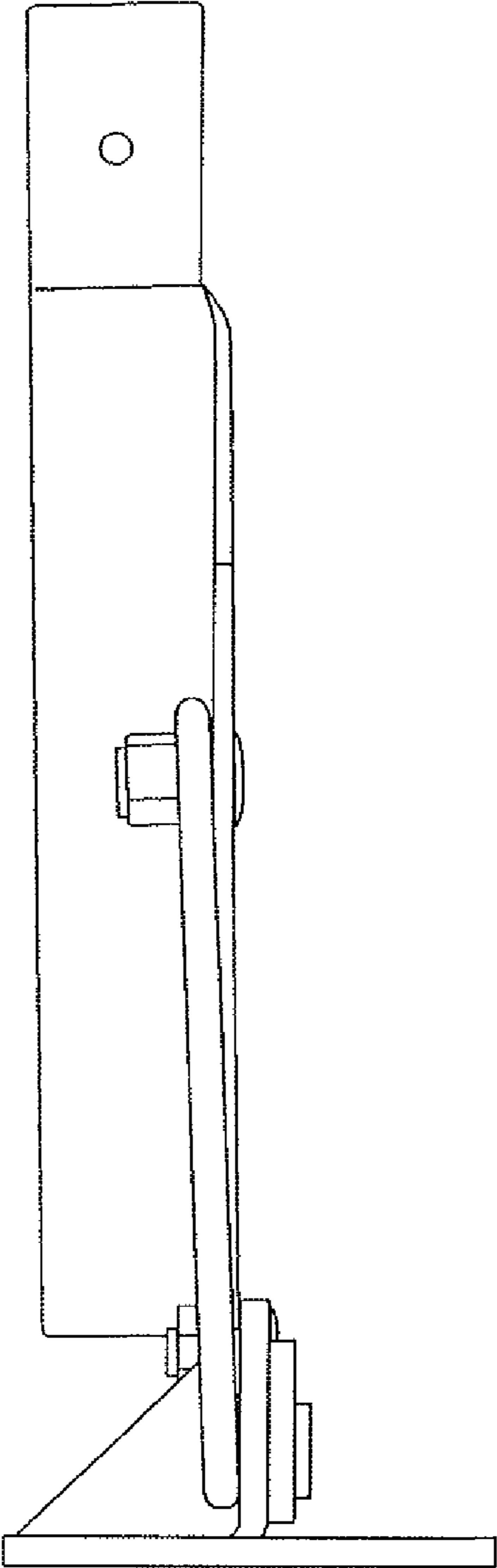


FIGURE 5

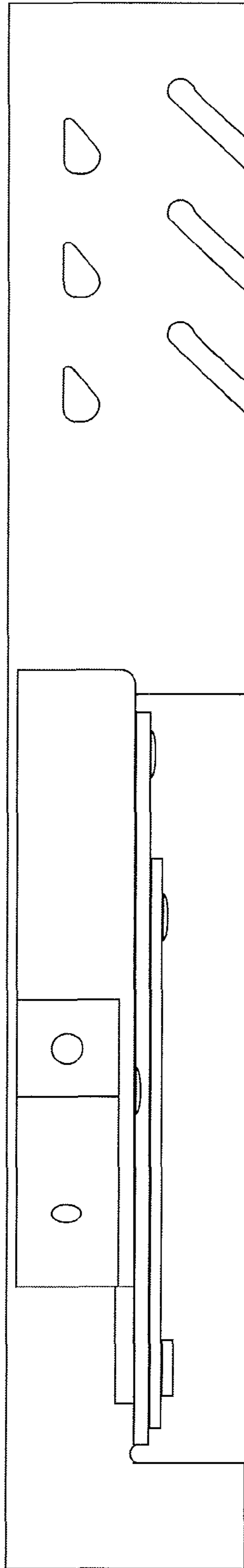


FIGURE 6

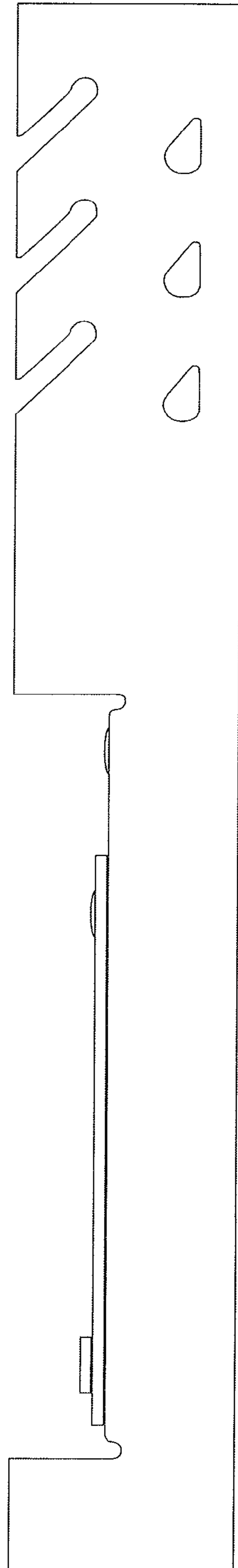


FIGURE 7