



US00D632156S

(12) **United States Design Patent**
Huang

(10) **Patent No.:** **US D632,156 S**

(45) **Date of Patent:** **** Feb. 8, 2011**

(54) **HANDLE**

D565,383 S * 4/2008 Bruno et al. D8/107
D572,548 S * 7/2008 Chen D8/25

(76) Inventor: **Chia Ling Huang**, No. 9, Dahong 5th
St., Xitun Dist., Taichung City (TW)
40746

* cited by examiner

(**) Term: **14 Years**

Primary Examiner—Prabhakar Deshmukh

Assistant Examiner—Derrick Holland

(74) *Attorney, Agent, or Firm*—Charles E. Baxley

(21) Appl. No.: **29/349,310**

(57) **CLAIM**

(22) Filed: **Mar. 24, 2010**

The ornamental design for a handle, as shown and described.

(51) **LOC (9) Cl.** **08-06**

(52) **U.S. Cl.** **D8/303**

(58) **Field of Classification Search** D8/303,
D8/14, 25, 40, 45, 69, 80, 83, 94, 102, 107,
D8/300; D7/387, 393–395, 693, 695; D30/159;
16/110.1, 111.1, 406, 422, 430, 431, 902;
81/58, 177.1, 177.4, 177.9, 181, 487, 489;
D4/138

See application file for complete search history.

DESCRIPTION

FIG. 1 is a perspective view of a handle showing my new design;

FIG. 2 is a front elevational view thereof;

FIG. 3 is a rear elevational view thereof;

FIG. 4 is a left side elevational view thereof;

FIG. 5 is a right side elevational view thereof;

FIG. 6 is a top plan view thereof; and,

FIG. 7 is a bottom plan view thereof.

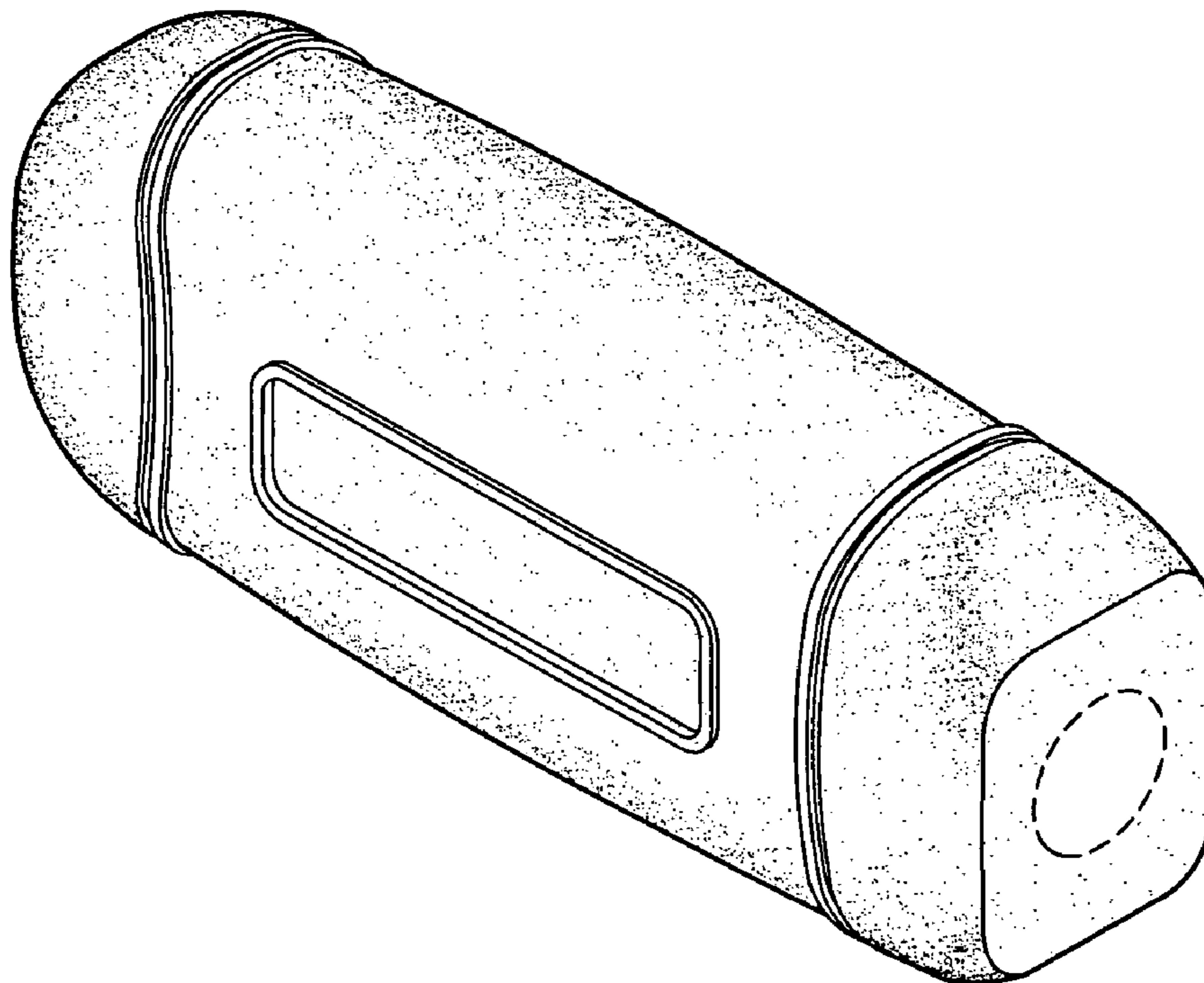
The broken lines shown represent unclaimed subject matter and form no part of the claimed design.

(56) **References Cited**

U.S. PATENT DOCUMENTS

D441,269 S * 5/2001 Tsai D8/83
D455,944 S * 4/2002 Chen D8/107
6,401,576 B1 * 6/2002 Wu 81/177.4
D468,617 S * 1/2003 Wang D8/107

1 Claim, 4 Drawing Sheets



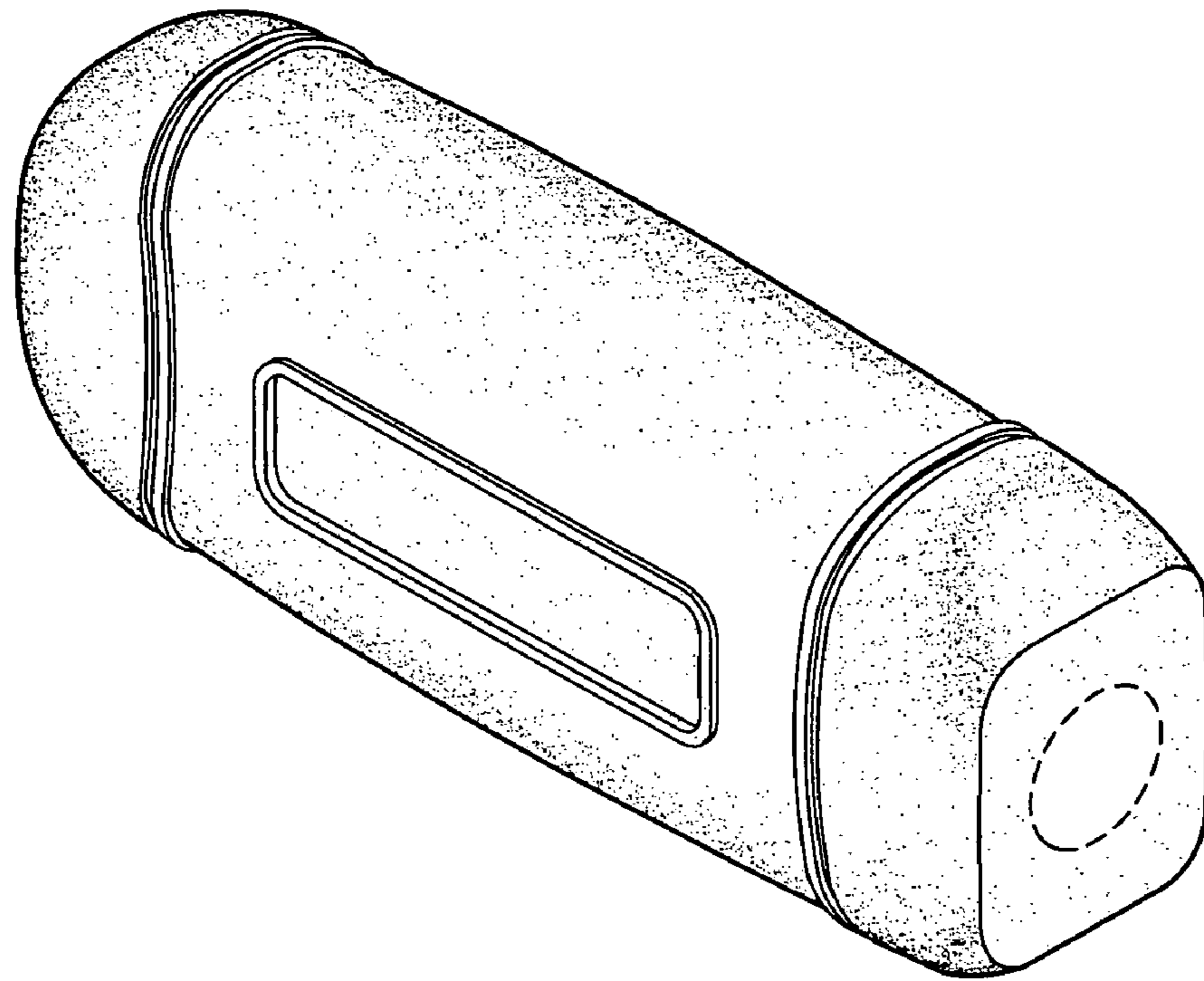


FIG. 1

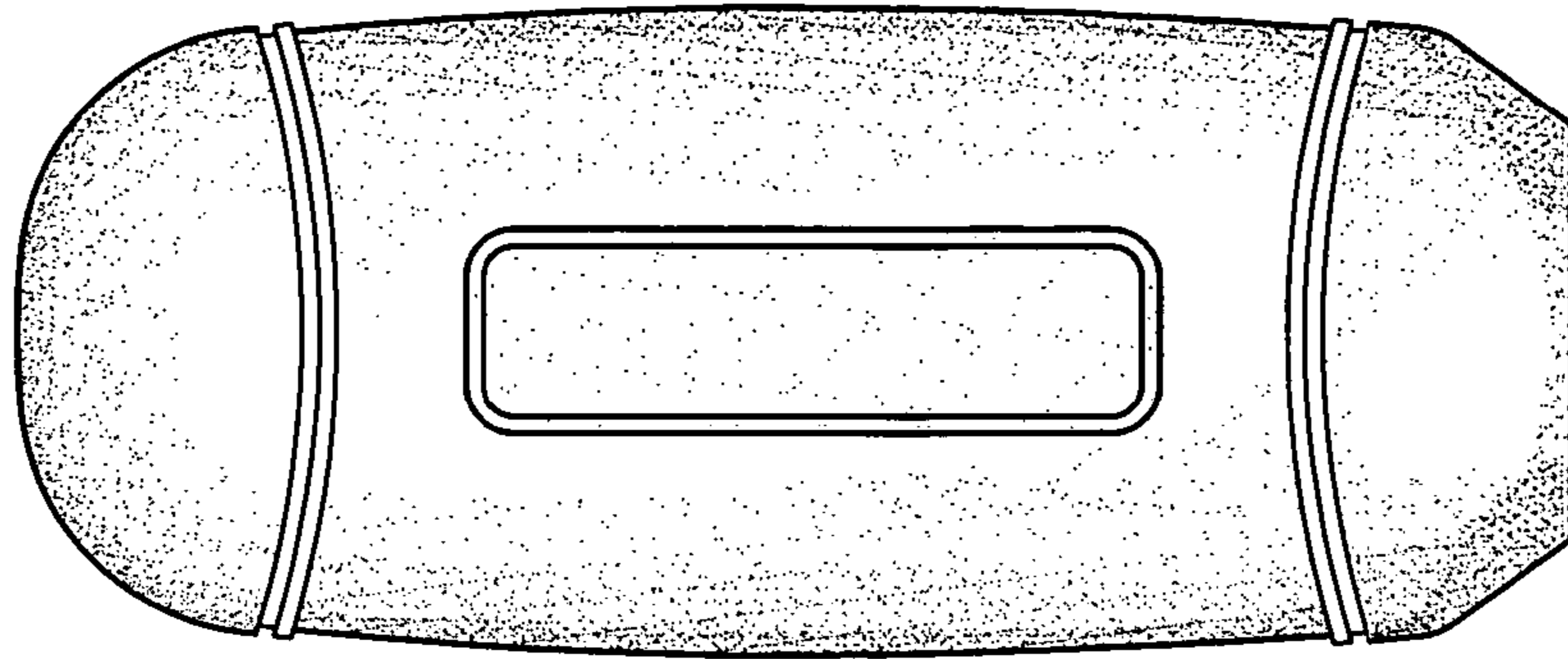


FIG. 2

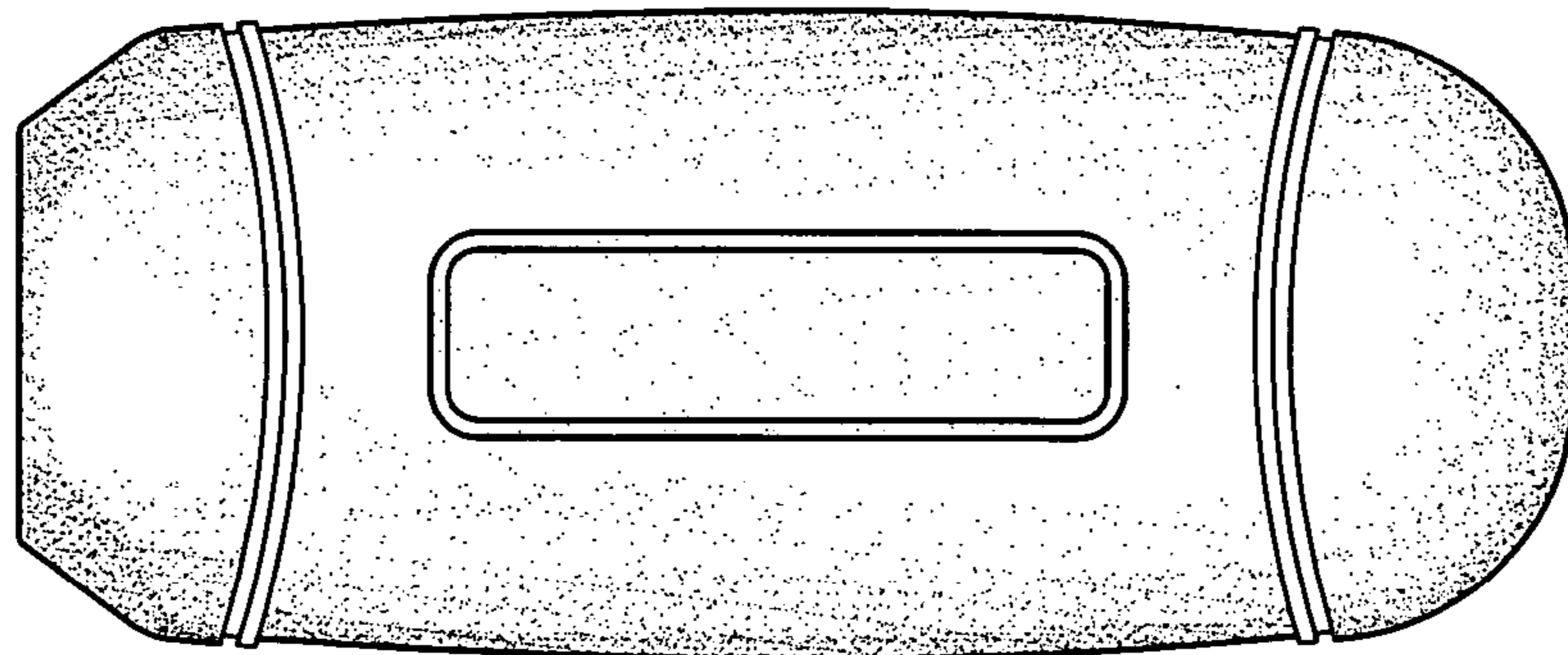


FIG. 3

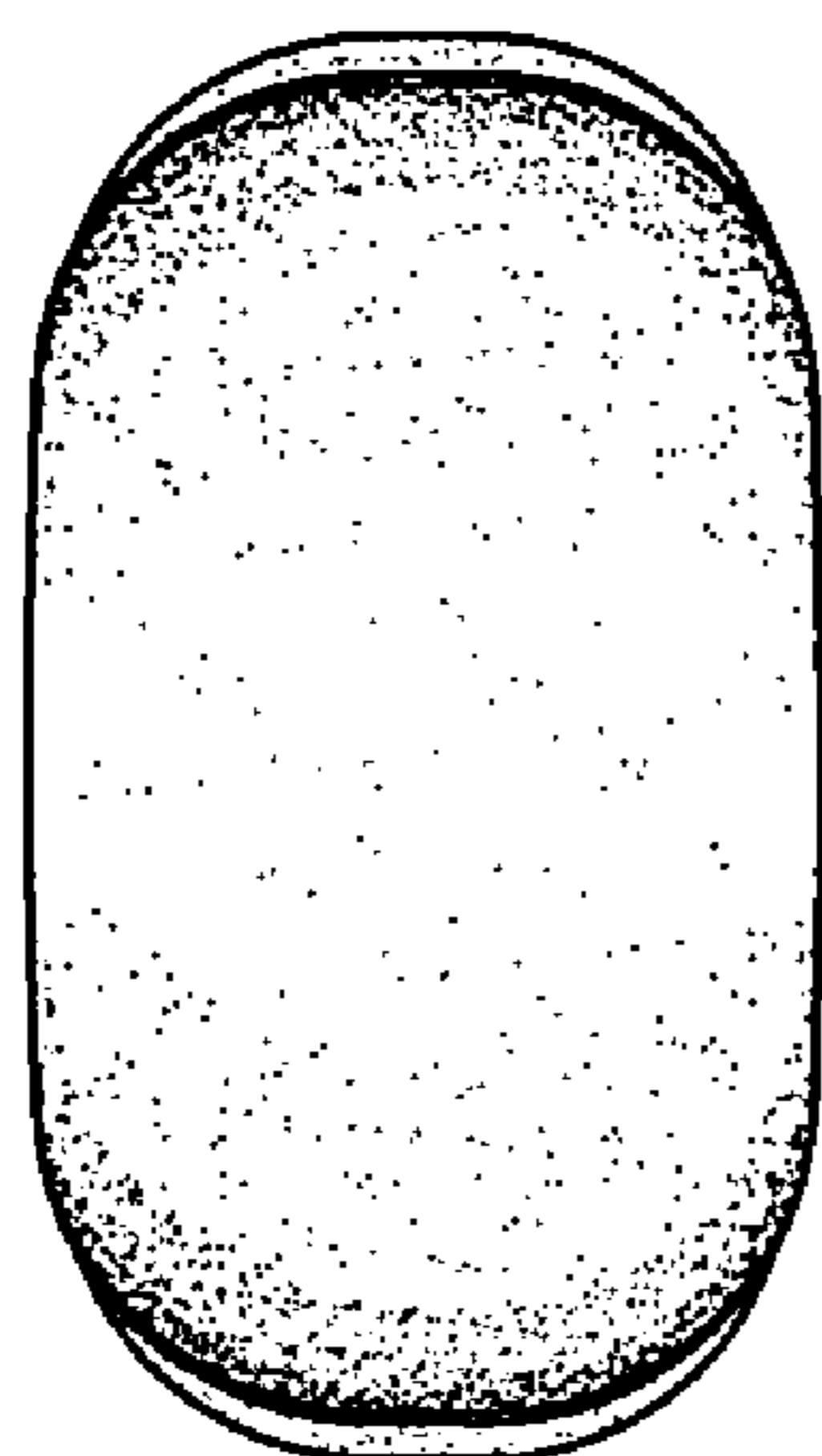


FIG. 4

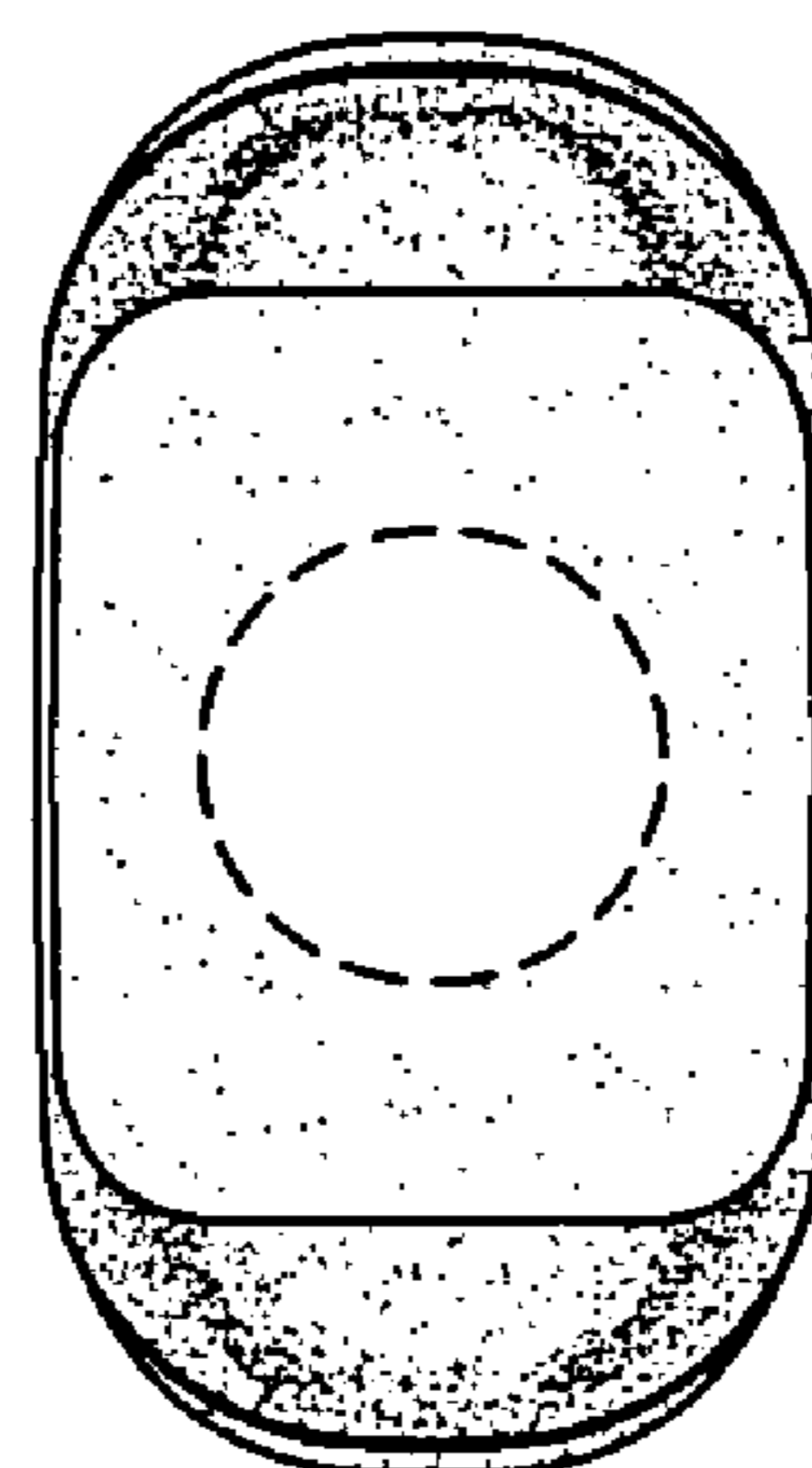


FIG. 5

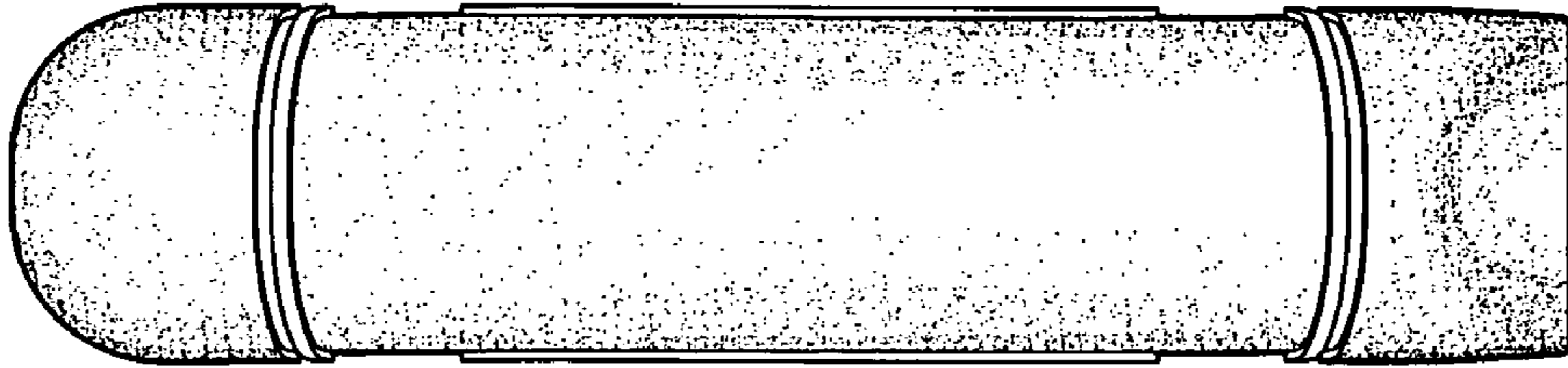


FIG. 6



FIG. 7