

US00D632155S

(12) **United States Design Patent**  
**Lai**

(10) **Patent No.:** **US D632,155 S**  
(45) **Date of Patent:** **\*\* Feb. 8, 2011**

(54) **CASING FOR FOLDABLE TOOL SET**  
(75) Inventor: **Liang-Tzu Lai**, Shyue-Ten Village (TW)  
(73) Assignee: **Jaco International Corporation**,  
Shyue-Ten Village, Wu-Jin Hsieng (TW)  
(\*\*) Term: **14 Years**  
(21) Appl. No.: **29/368,160**  
(22) Filed: **Aug. 19, 2010**

(51) **LOC (9) Cl.** ..... **08-06**  
(52) **U.S. Cl.** ..... **D8/107**  
(58) **Field of Classification Search** ..... D8/107,  
D8/26, 40, 51, 55, 105, 300; 7/118, 138,  
7/158, 167; 30/151, 152, 153, 169; 81/177.1,  
81/177.3, 177.4, 177.6, 437, 439, 440, 442;  
206/375

See application file for complete search history.

(56) **References Cited**

**U.S. PATENT DOCUMENTS**

2,804,970 A \* 9/1957 Kuc et al. .... 206/375  
D342,433 S \* 12/1993 Sorenson ..... D8/107  
D382,190 S \* 8/1997 Blackston et al. .... D8/107  
D389,030 S \* 1/1998 Wensley ..... D8/107  
5,791,211 A \* 8/1998 Bondhus et al. .... 81/440  
D412,823 S \* 8/1999 Liao ..... D8/107  
D427,875 S \* 7/2000 Chiu ..... D8/105  
D437,541 S \* 2/2001 Hermansen et al. .... D8/105

D447,041 S \* 8/2001 Rivera ..... D8/107  
6,286,168 B1 \* 9/2001 Woodruff et al. .... 7/138  
D450,229 S \* 11/2001 Lin ..... D8/107  
D515,391 S \* 2/2006 Hawkins ..... D8/105  
7,047,847 B2 \* 5/2006 Chuang ..... 81/440

\* cited by examiner

*Primary Examiner*—Prabhakar Deshmukh  
*Assistant Examiner*—Derrick Holland

(57) **CLAIM**

The ornamental design for a casing for foldable tool set, as shown and described.

**DESCRIPTION**

FIG. 1 is a perspective view of a casing for foldable tool set showing my new design;

FIG. 2 is a front elevation view thereof;

FIG. 3 is a rear elevation view thereof;

FIG. 4 is a left side elevation view thereof;

FIG. 5 is a right side elevation view thereof;

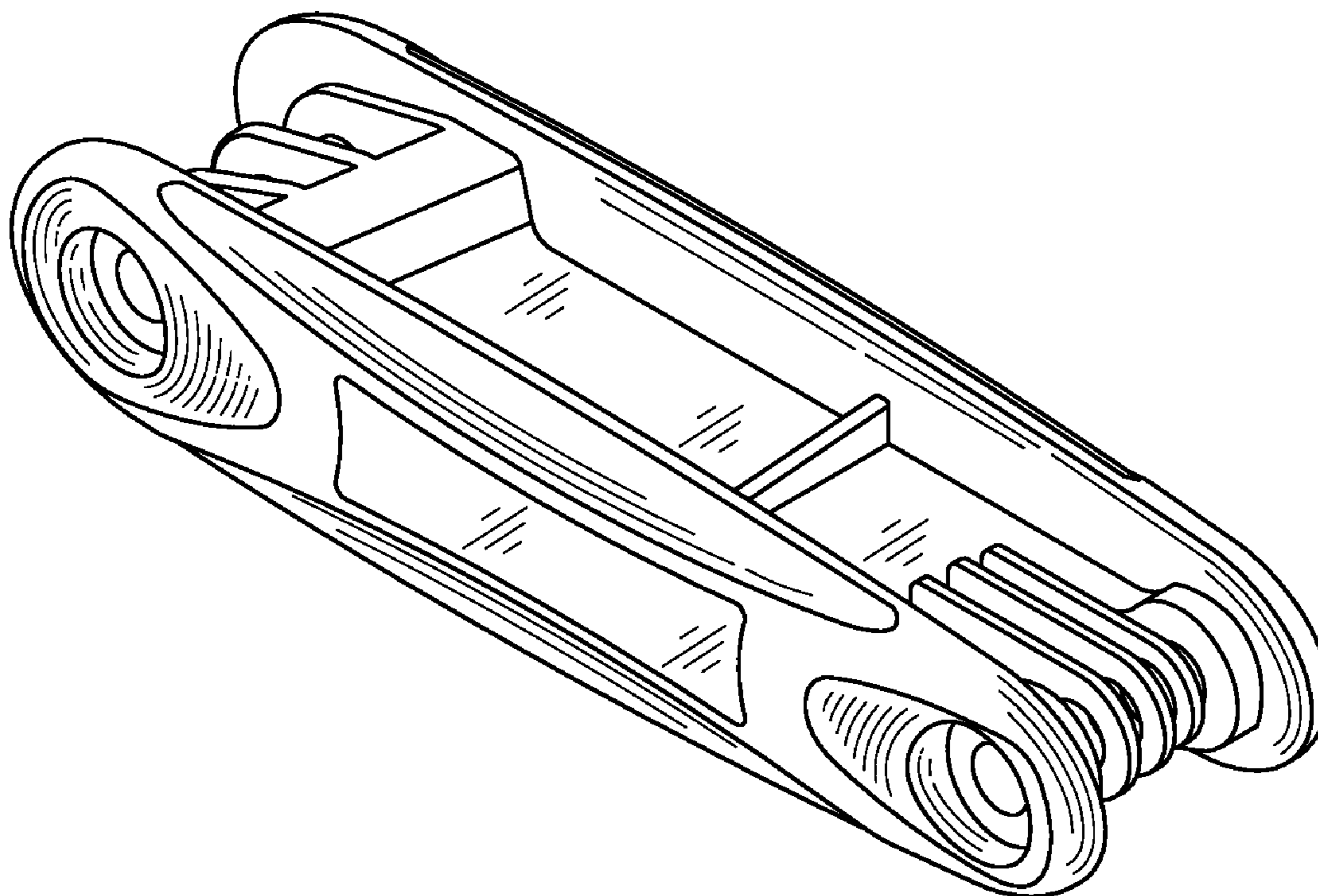
FIG. 6 is a top plan view thereof;

FIG. 7 is a bottom plan view thereof; and,

FIG. 8 is a perspective view thereof illustrating usage thereof.

The broken lines in FIGS. 1-8 are for illustrative purposes only and form no part of the claimed design.

**1 Claim, 5 Drawing Sheets**



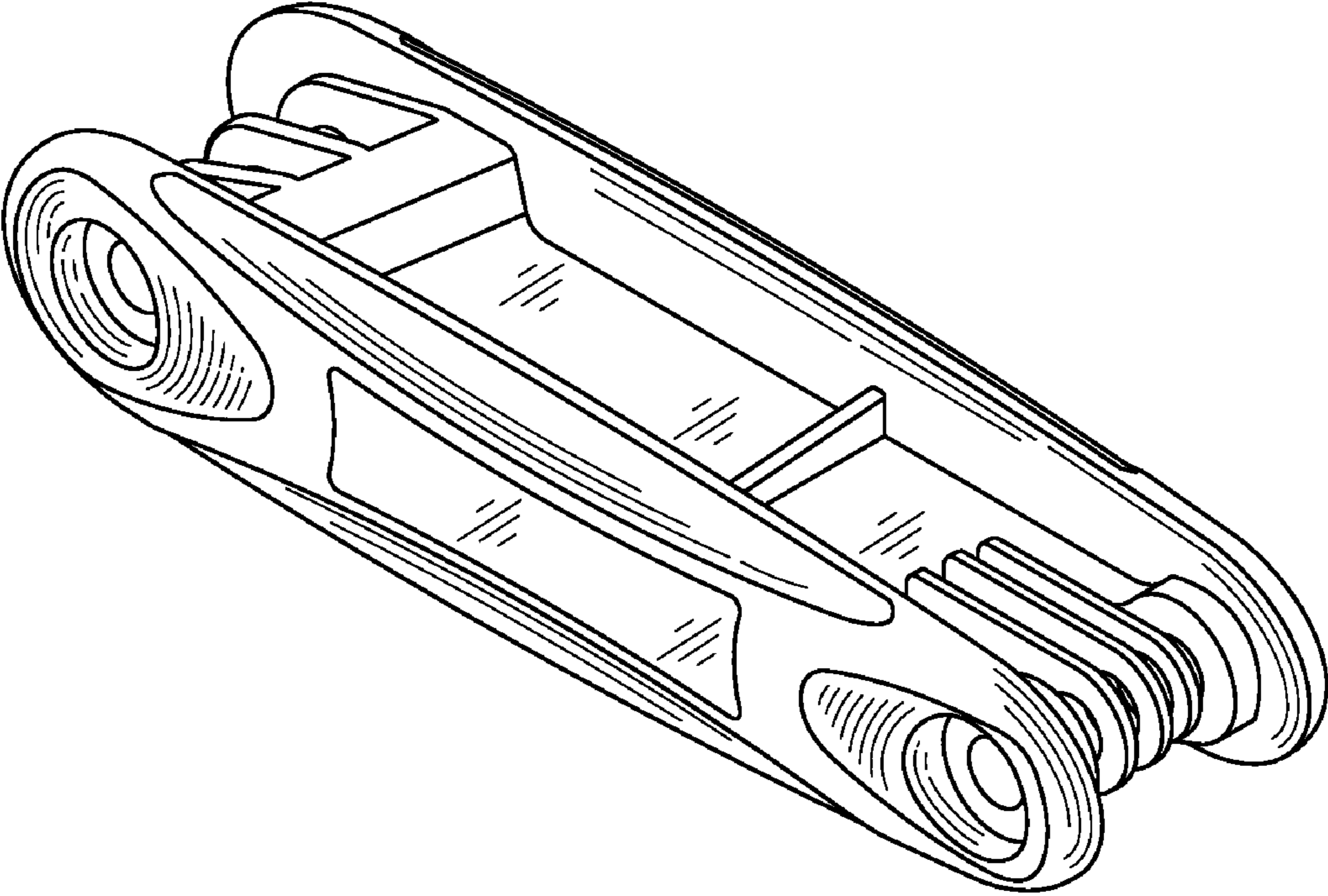


FIG. 1

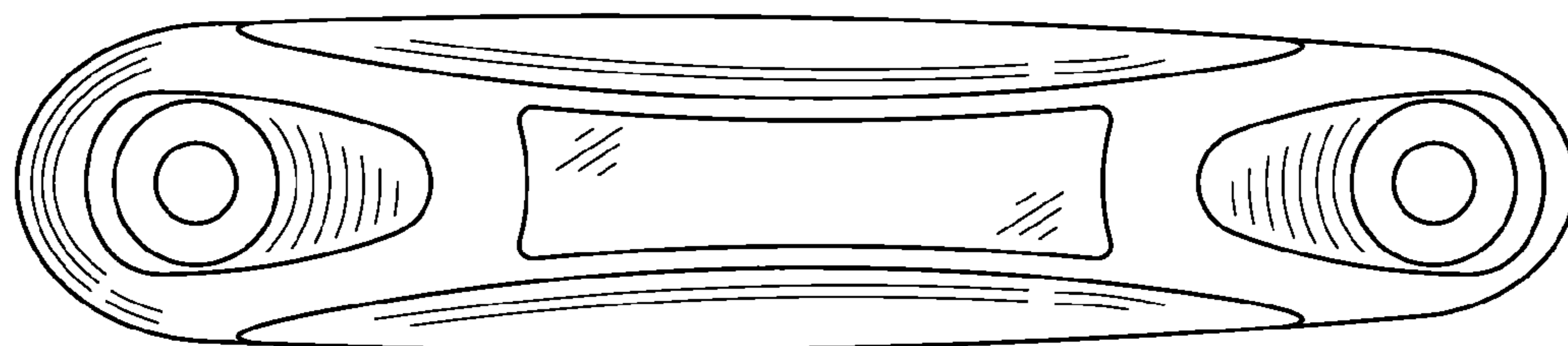


FIG. 2

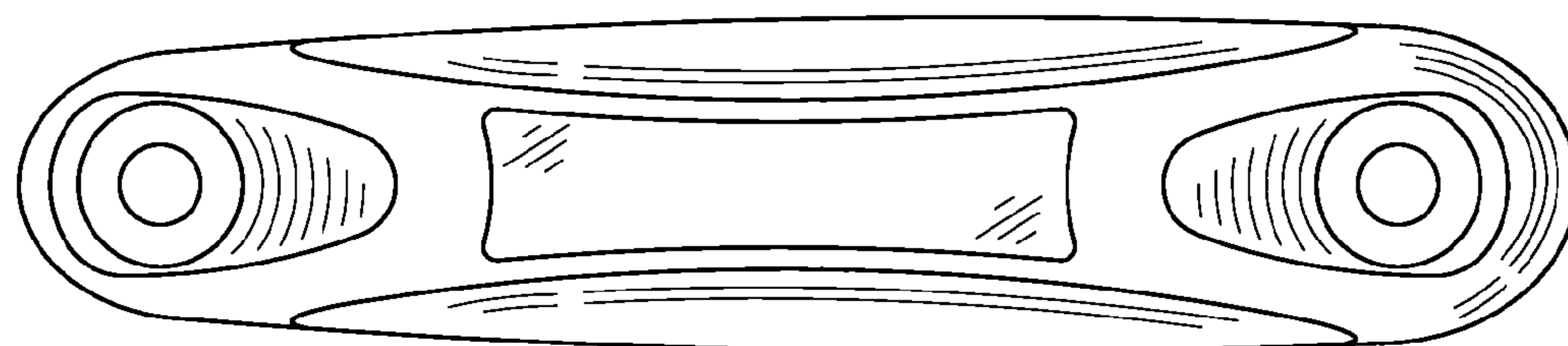


FIG. 3

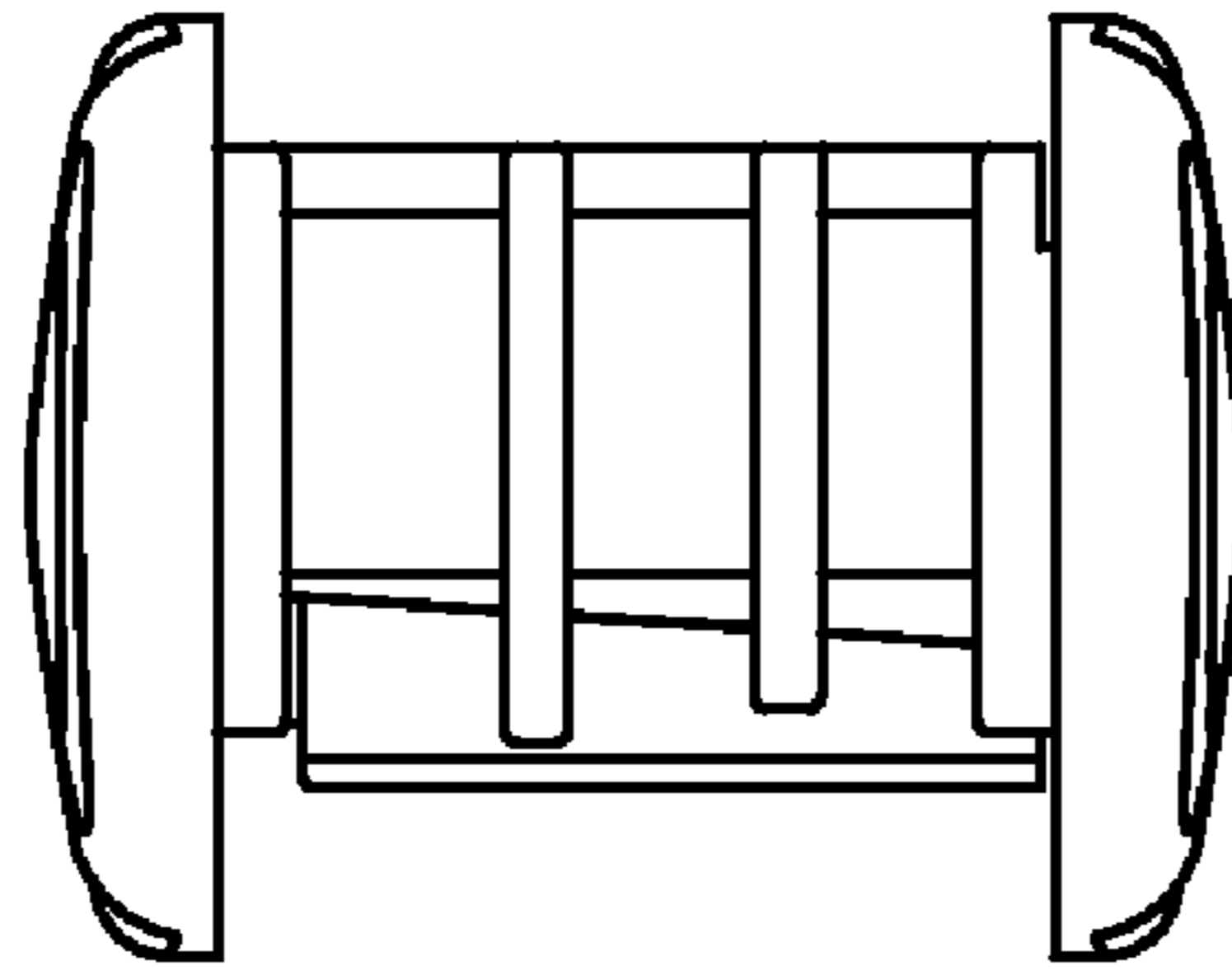


FIG. 4

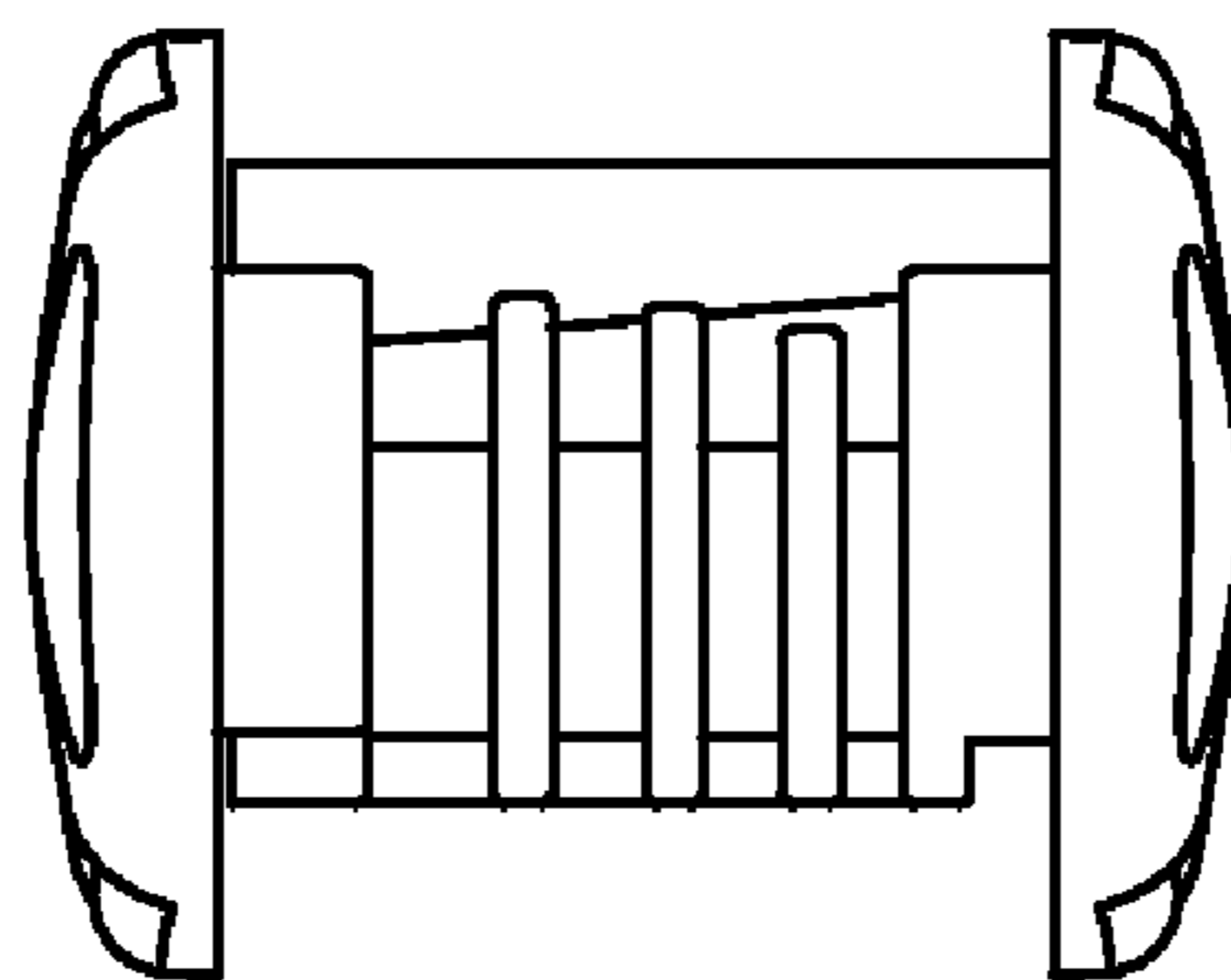


FIG. 5

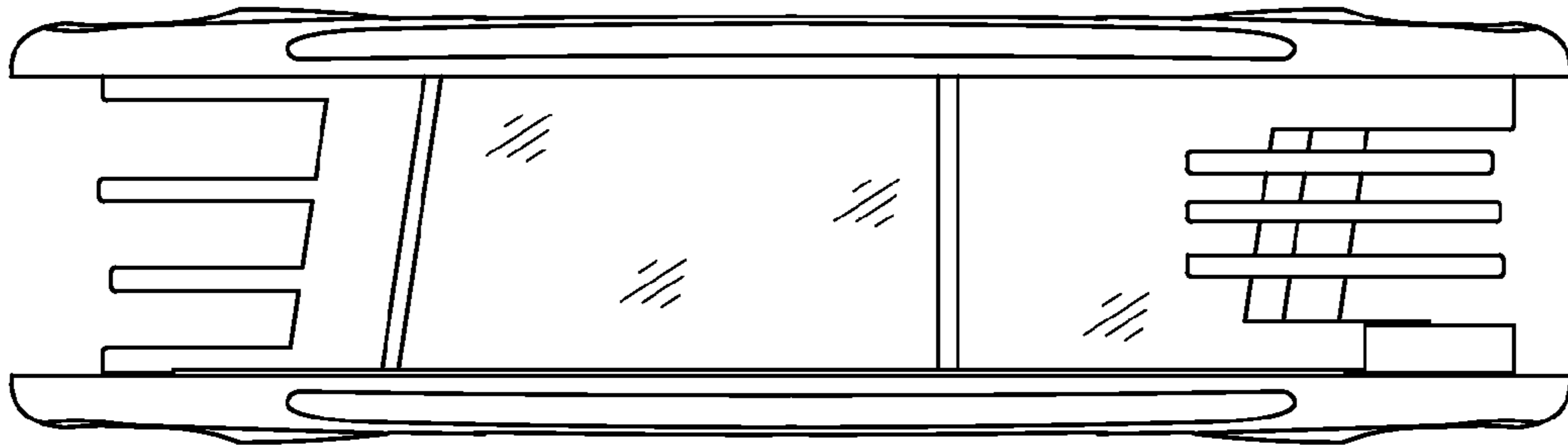


FIG. 6

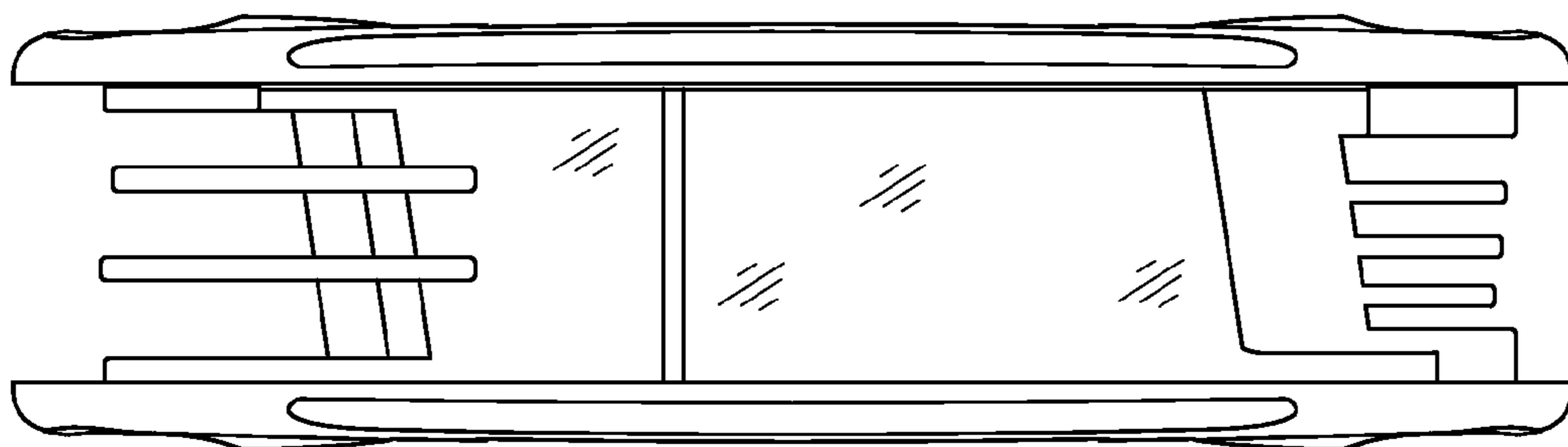


FIG. 7

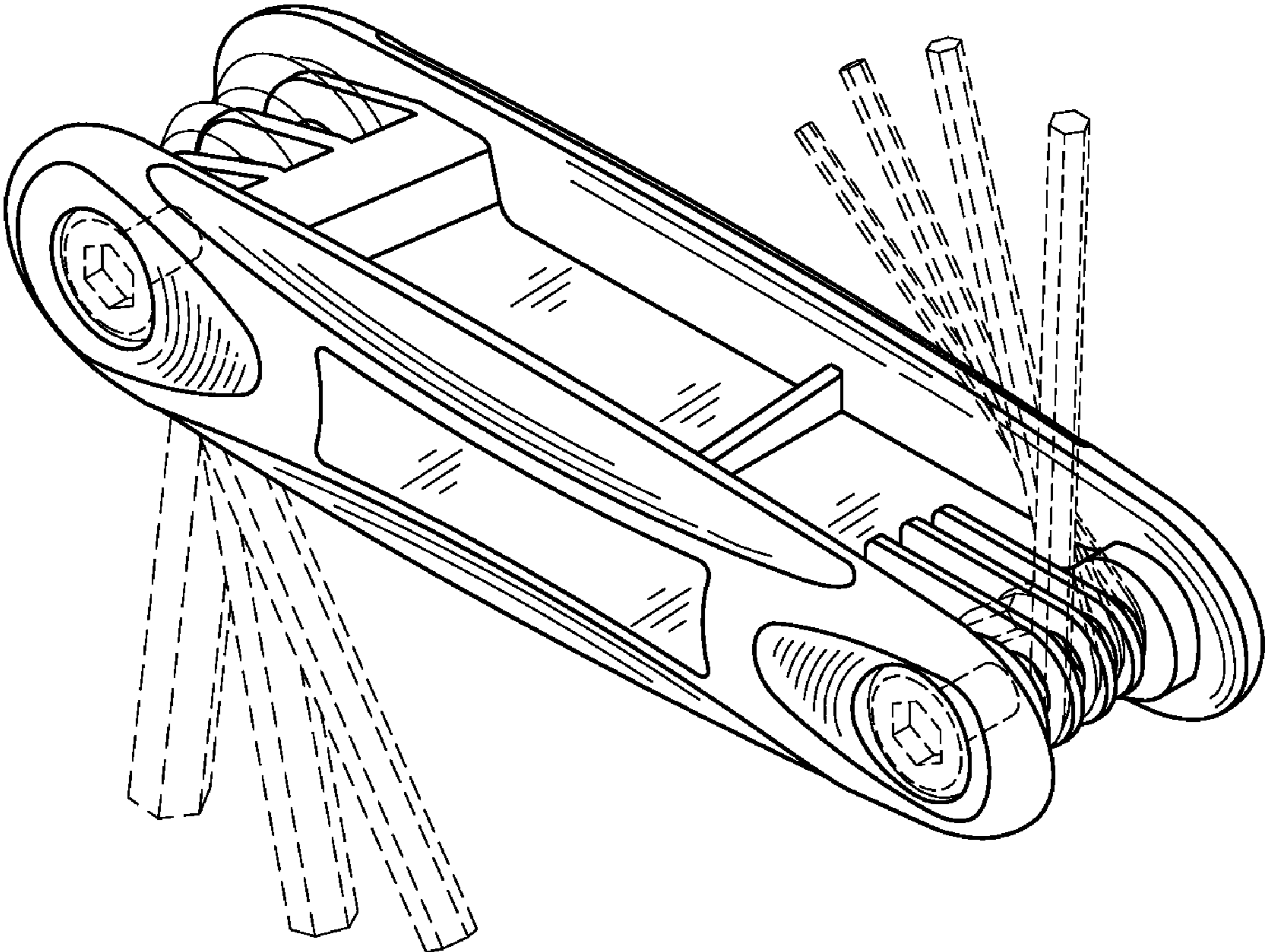


FIG. 8