



US00D632154S

(12) **United States Design Patent**  
**Yang-Fu**

(10) **Patent No.:** **US D632,154 S**

(45) **Date of Patent:** **\*\* Feb. 8, 2011**

(54) **FOLDING KNIFE**

(75) Inventor: **Cheng Yang-Fu**, Taipei (TW)

(73) Assignee: **Taylor Brands, LLC**, Kingsport, TN (US)

(\*\*) Term: **14 Years**

(21) Appl. No.: **29/343,612**

(22) Filed: **Sep. 16, 2009**

(51) **LOC (9) Cl.** ..... **08-03**

(52) **U.S. Cl.** ..... **D8/99**

(58) **Field of Classification Search** ..... D7/649;  
D8/95-99, 107; D22/118; 30/154-162,  
30/329-331

See application file for complete search history.

(56) **References Cited**

U.S. PATENT DOCUMENTS

D407,291 S *	3/1999	Knoop	.....	D8/99
6,715,209 B2	4/2004	Taylor et al.		
D496,575 S *	9/2004	Carter, III	.....	D8/99
D512,624 S	12/2005	Taylor et al.		
7,111,402 B1	9/2006	Pearman		
D539,616 S	4/2007	Taylor et al.		
D539,631 S	4/2007	Taylor		
D554,964 S	11/2007	Taylor		
D560,460 S	1/2008	Taylor		
D561,295 S	2/2008	Taylor		
D561,554 S	2/2008	Taylor		
D562,102 S	2/2008	Pearman		
D562,932 S	2/2008	Taylor		
7,326,210 B2	2/2008	Jahng et al.		
D572,562 S *	7/2008	Hawk et al.	.....	D8/99
D574,691 S *	8/2008	Ping	.....	D8/99
D578,857 S	10/2008	Yang-Fu		
D578,858 S *	10/2008	Ping	.....	D8/99
D579,299 S *	10/2008	Ping	.....	D8/99
D583,643 S *	12/2008	Ping	.....	D8/99
D599,640 S	9/2009	Yang-Fu		
D599,641 S	9/2009	Yang-Fu		
D600,090 S	9/2009	Yang-Fu		
D614,473 S *	4/2010	Freeman et al.	.....	D8/107

7,797,838 B2 *	9/2010	Chu	.....	30/162
2003/0220643 A1	11/2003	Ferree		
2004/0143264 A1	7/2004	McAfee		
2005/0143737 A1	6/2005	Pafford et al.		
2005/0203519 A1	9/2005	Harms et al.		
2006/0264937 A1	11/2006	White		
2006/0264940 A1	11/2006	Hartmann		
2007/0233085 A1	10/2007	Biedermann et al.		

(Continued)

*Primary Examiner*—Philip S Hyder

*Assistant Examiner*—Roselyne Cody

(74) *Attorney, Agent, or Firm*—Luedeka, Neely & Graham, PC

(57) **CLAIM**

The ornamental design for a folding knife, as shown and described.

**DESCRIPTION**

FIG. 1 is perspective view of the folding knife of my new design;

FIG. 2 is a left side view of the folding knife of my new design;

FIG. 3 is a right side view of the folding knife of my new design;

FIG. 4 is a top view of the folding knife of my new design;

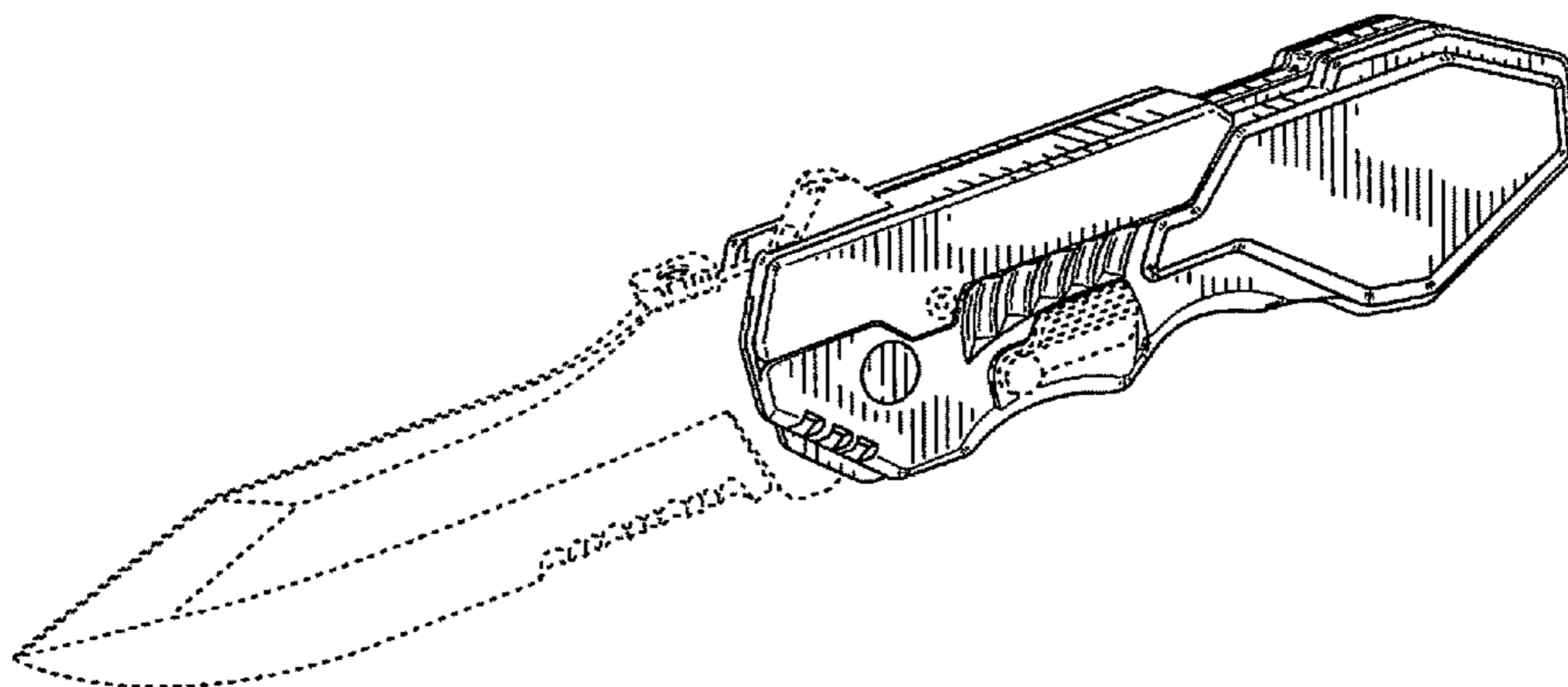
FIG. 5 is a bottom view of the folding knife of my new design;

FIG. 6 is a right or front end view of the folding knife of my new design; and,

FIG. 7 is a left or rear end view of the folding knife of my new design.

The broken lines in the drawings illustrate features that form no part of the claimed design.

**1 Claim, 6 Drawing Sheets**



# US D632,154 S

Page 2

---

## U.S. PATENT DOCUMENTS

2007/0288012 A1 12/2007 Colleran et al.  
2007/0293862 A1 12/2007 Jackson

2008/0140076 A1 6/2008 Jackson

\* cited by examiner

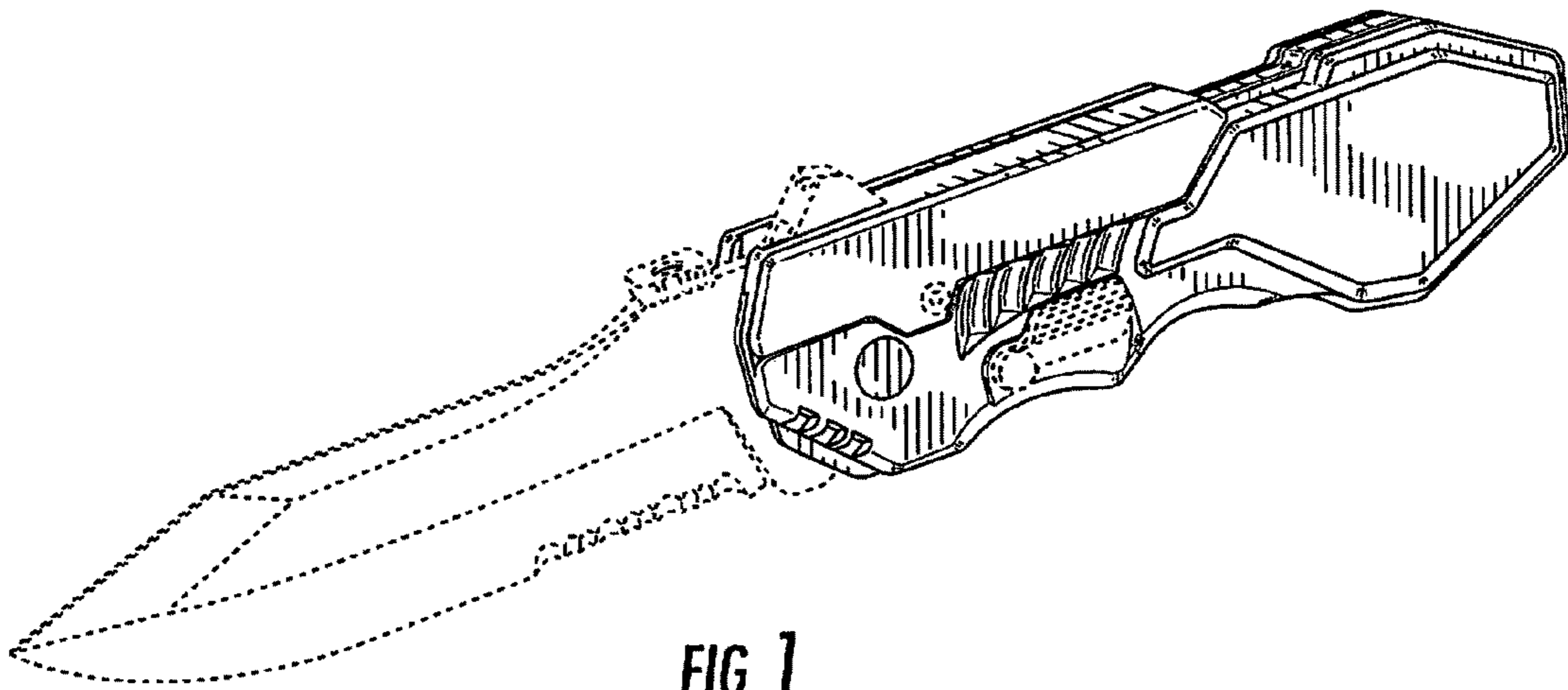


FIG. 1

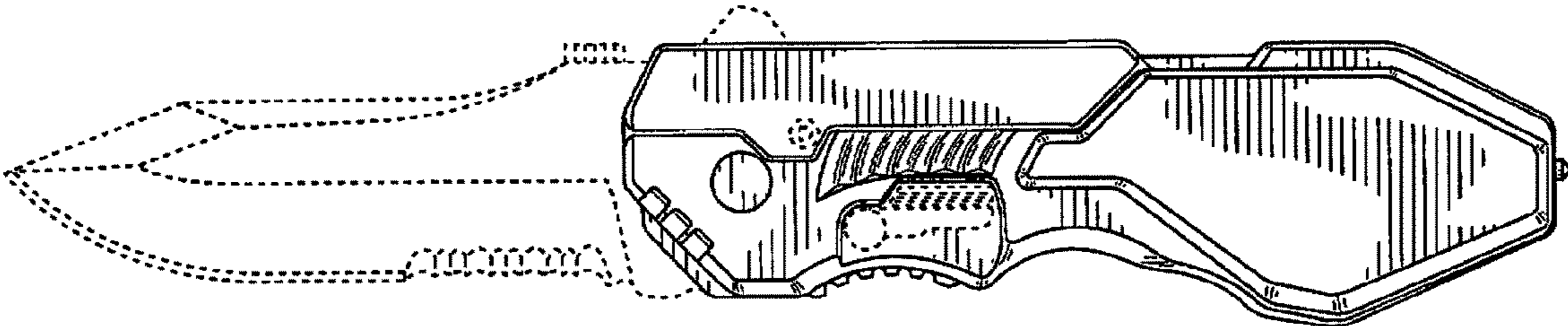


FIG. 2

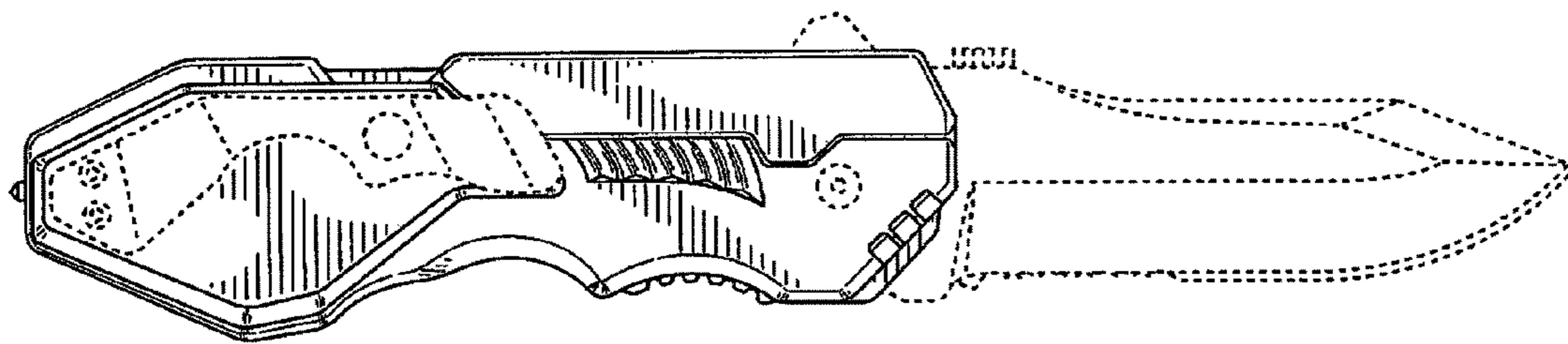
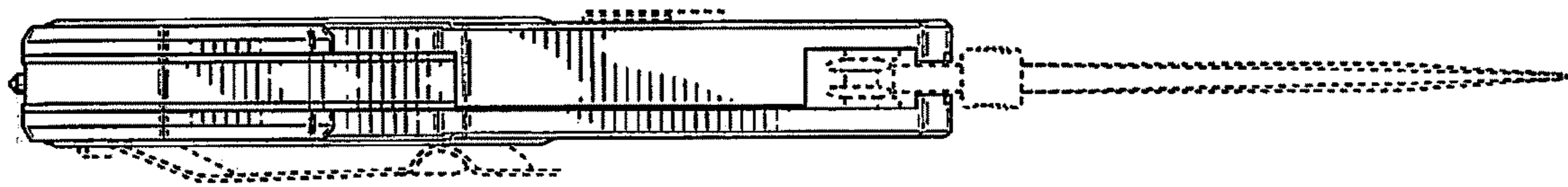


FIG. 3



**FIG. 4**

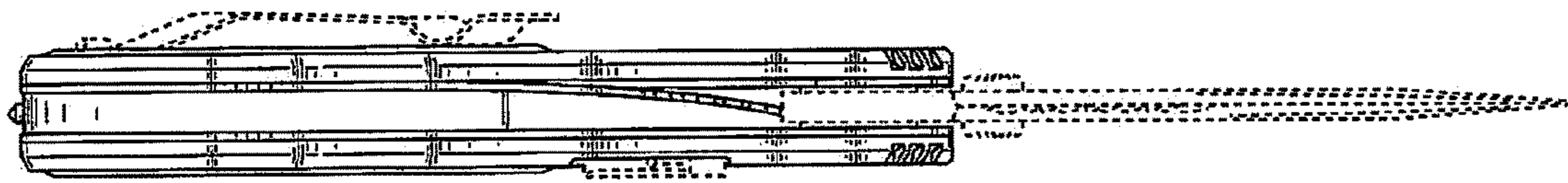
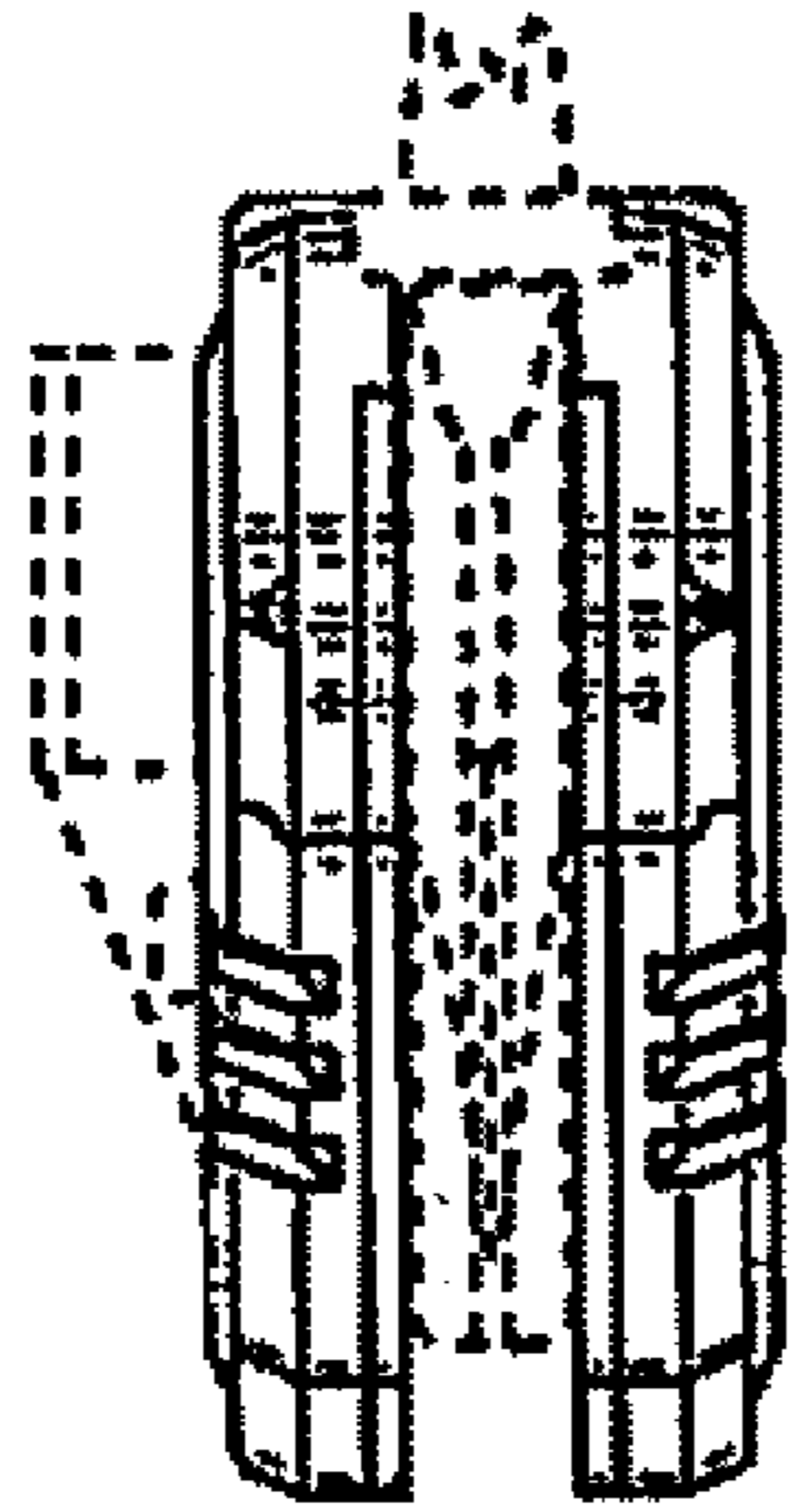
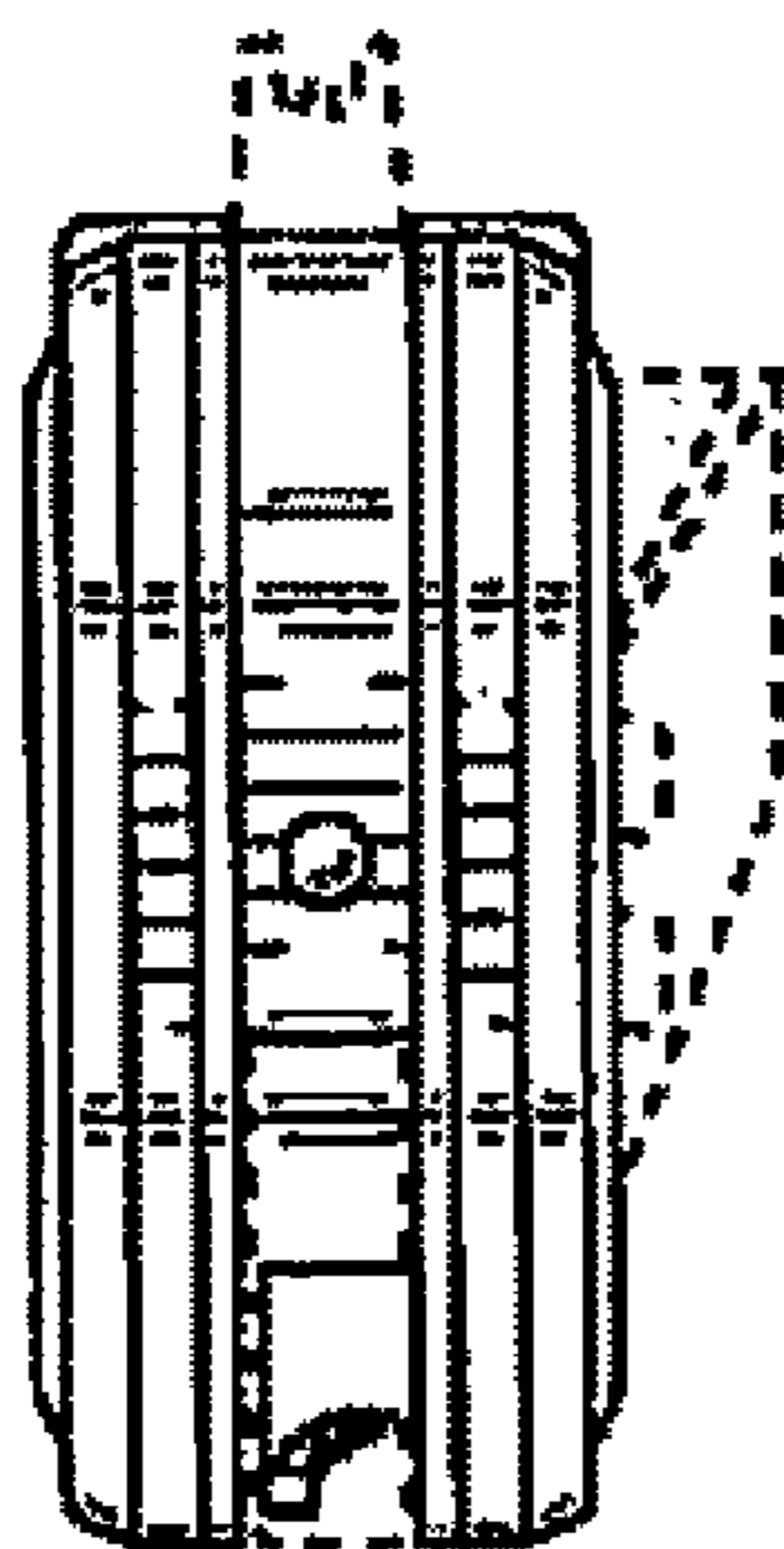


FIG. 5



**FIG. 6**



**FIG. 7**