



US00D632153S

(12) **United States Design Patent**  
**Walker et al.**

(10) **Patent No.:** **US D632,153 S**  
(45) **Date of Patent:** **\*\* Feb. 8, 2011**

(54) **ADJUSTABLE KNIFE SHARPENER**

6,012,971 A 1/2000 Friel, Sr. et al.

(Continued)

(75) Inventors: **Shane R. Walker**, Eau Claire, WI (US);  
**Justun C. Seymour**, Eau Claire, WI (US)

FOREIGN PATENT DOCUMENTS

FR 2827535 1/2003

(Continued)

(73) Assignee: **National Presto Industries, Inc.**, Eau Claire, WI (US)

OTHER PUBLICATIONS

(\*\*) Term: **14 Years**

Diamond Hone Knife Sharpener—Chef's Choice. Downloaded Sep. 28, 1010 at <http://w3.hantover.com/cgi/cgiip.exe/WService=Datasurge/hnt/in/in210125.r?p-8tem-num=...>\*

(Continued)

(21) Appl. No.: **29/355,832**

(22) Filed: **Feb. 15, 2010**

*Primary Examiner*—Philip S Hyder  
*Assistant Examiner*—Roselyne Cody

(51) **LOC (9) Cl.** ..... **08-05**

(52) **U.S. Cl.** ..... **D8/93**

(58) **Field of Classification Search** ..... D8/63,  
D8/90-94; 76/82, 84, 86-89; 451/192-194,  
451/552, 555-558

(74) *Attorney, Agent, or Firm*—Patterson Thuent Christensen Pedersen, P.A.

See application file for complete search history.

(57) **CLAIM**

We claim the ornamental design for an adjustable knife sharpener, as shown.

(56) **References Cited**

U.S. PATENT DOCUMENTS

D177,943 S *	6/1956	Rutter	.....	D8/63
3,831,325 A	8/1974	Joray et al.		
3,956,856 A	5/1976	Yonkers		
3,993,116 A	11/1976	Brewer		
4,005,554 A	2/1977	Campbell		
4,085,547 A	4/1978	Lawson et al.		
4,807,399 A	2/1989	Friel		
D303,209 S *	9/1989	Friel	.....	D8/93
4,915,709 A	4/1990	Andrew et al.		
5,005,319 A *	4/1991	Friel	.....	451/163
D328,410 S *	8/1992	Friel	.....	D8/63
5,245,791 A	9/1993	Bigliano et al.		
5,591,069 A	1/1997	Wurthman		
5,611,726 A	3/1997	Friel et al.		
5,620,359 A	4/1997	Harrison et al.		
D388,304 S *	12/1997	Friel	.....	D8/93
D409,891 S	5/1999	Friel et al.		

**DESCRIPTION**

FIG. 1 is a front, perspective view of an adjustable knife sharpener according to an embodiment of the invention.

FIG. 2 is a front view of the adjustable knife sharpener of FIG. 1.

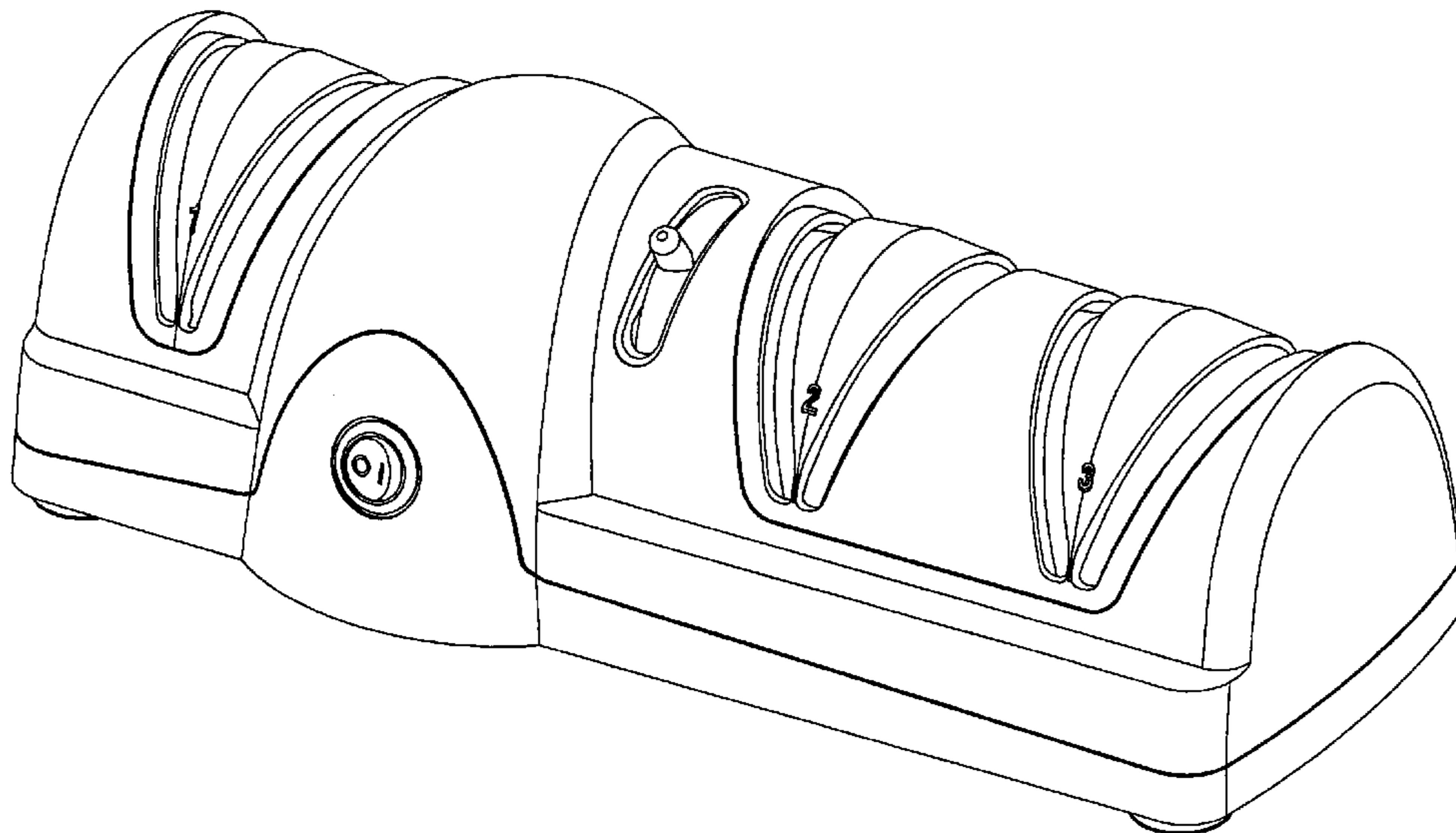
FIG. 3 is a top view of the adjustable knife sharpener of FIG. 1.

FIG. 4 is a right side view of the adjustable knife sharpener of FIG. 1; and,

FIG. 5 is a rear view of the adjustable knife sharpener of FIG. 1.

The broken lines in the drawings illustrate features of the design that form no part of the claim.

**1 Claim, 5 Drawing Sheets**



# US D632,153 S

Page 2

## U.S. PATENT DOCUMENTS

6,113,476 A \* 9/2000 Friel et al. .... 451/177  
6,125,740 A 10/2000 Hedrington et al.  
6,267,652 B1 7/2001 Friel, Sr. et al.  
6,354,194 B1 3/2002 Hedrington et al.  
6,863,600 B2 \* 3/2005 Friel, Sr. .... 451/293  
6,875,093 B2 \* 4/2005 Friel et al. .... 451/260  
6,932,683 B2 \* 8/2005 Li ..... 451/193  
6,967,036 B1 11/2005 Hedrington et al.  
6,969,299 B1 11/2005 Papetti  
7,104,874 B1 9/2006 Gussack et al.  
7,134,935 B1 11/2006 Papetti  
D542,616 S \* 5/2007 Elek et al. .... D8/63  
D543,430 S \* 5/2007 Barr et al. .... D8/63  
D567,611 S \* 4/2008 Elek et al. .... D8/63  
7,374,470 B2 5/2008 Fuchs

D575,124 S \* 8/2008 Smith ..... D8/63  
D604,133 S \* 11/2009 Smith ..... D8/63  
D620,332 S \* 7/2010 Elek et al. .... D8/63  
2007/0026771 A1 2/2007 Harden et al.  
2008/0176496 A1 7/2008 Tasi  
2008/0261494 A1 10/2008 Friel et al.  
2009/0075570 A1 3/2009 Levsen  
2010/0099338 A1 \* 4/2010 Tsai ..... 451/192

## FOREIGN PATENT DOCUMENTS

JP 2160462 A 6/1990

## OTHER PUBLICATIONS

Eversharp 3-Stage Electric Knife Sharpener. Sep. 28, 2010 from  
<http://www.gopresto.com/downloads/instructions/08810.pdf>.\*

\* cited by examiner

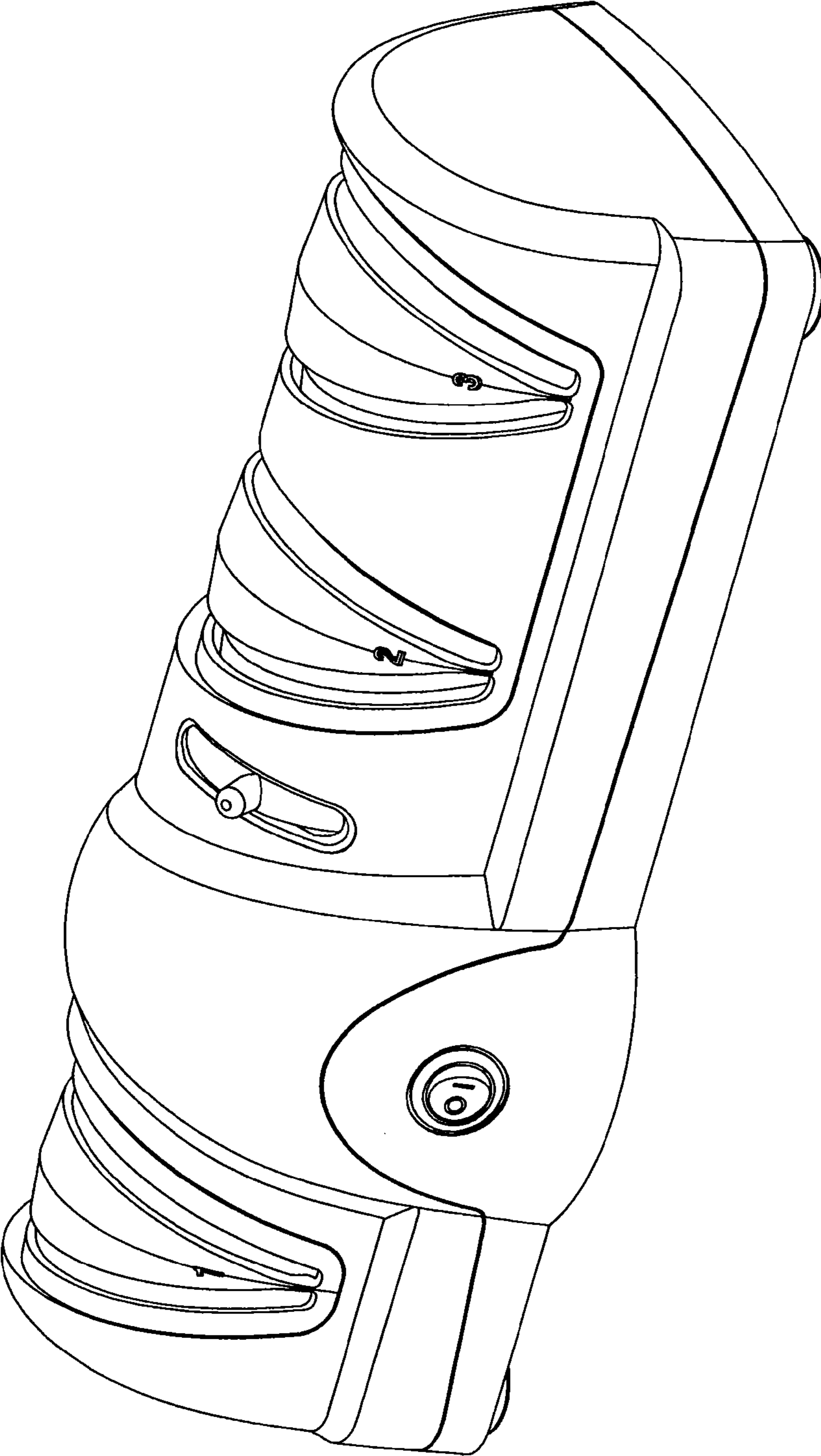


FIG.1

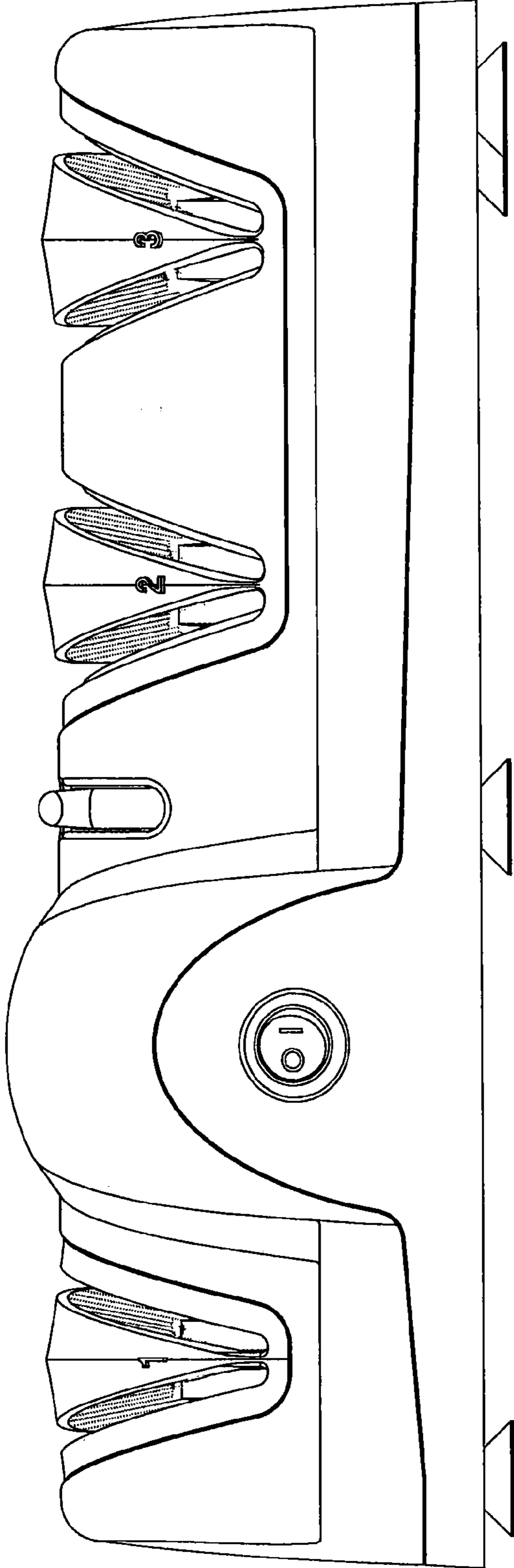


FIG.2

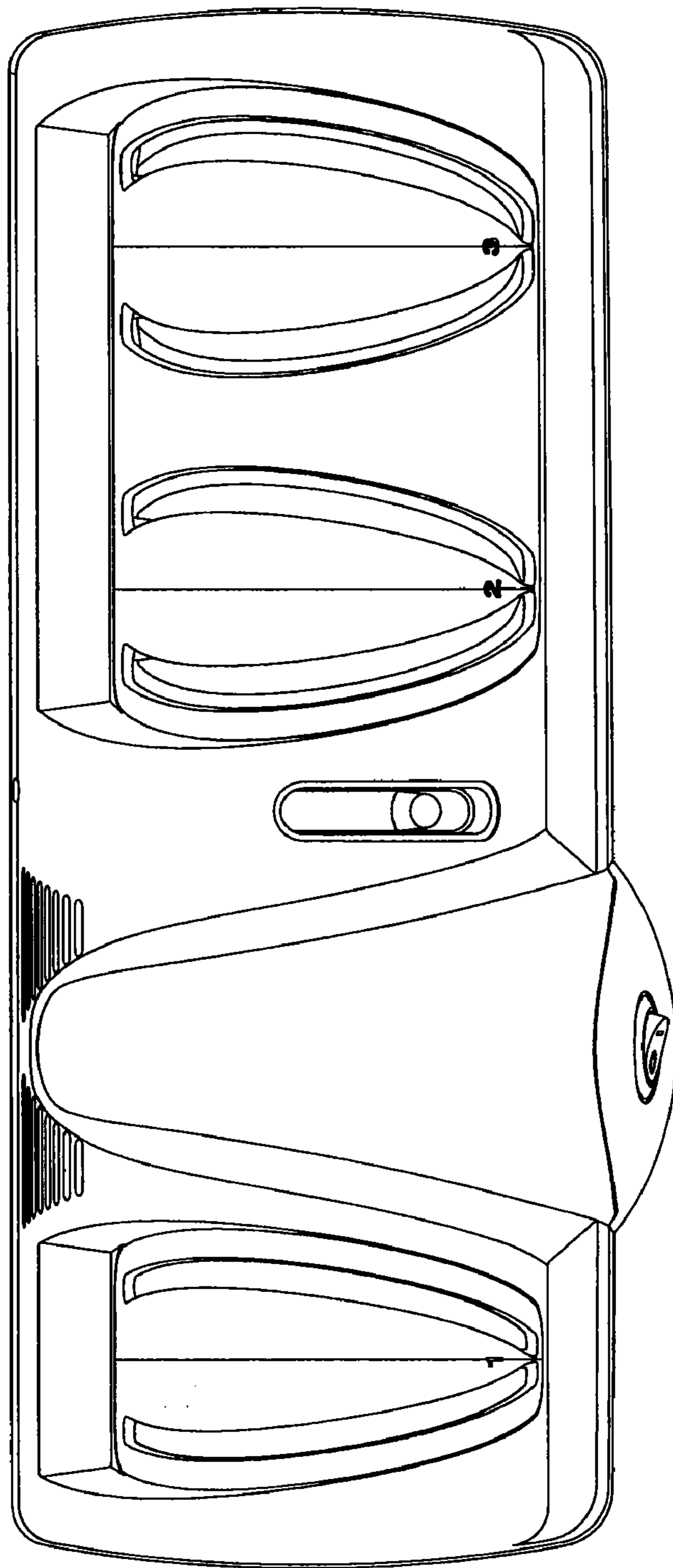


FIG.3

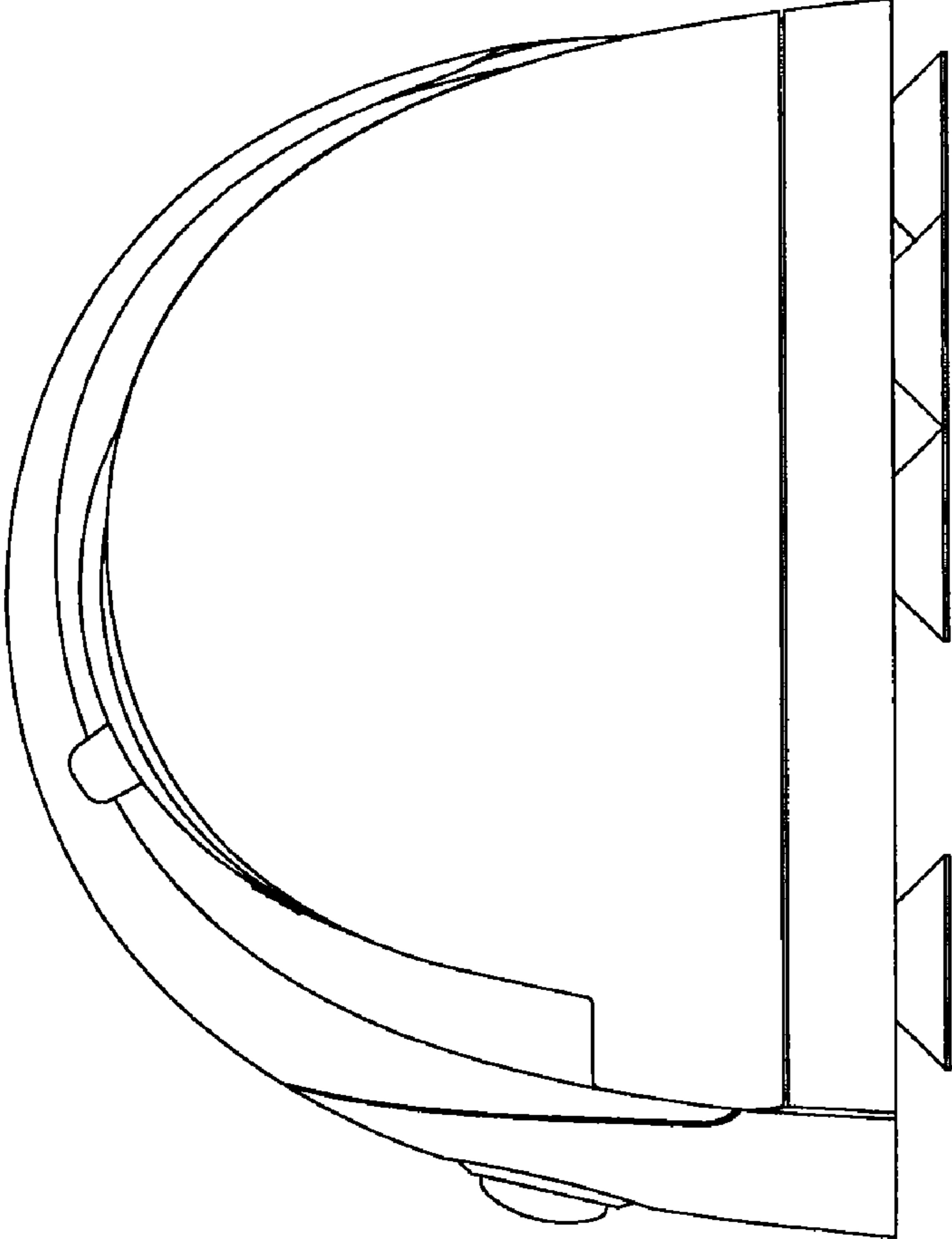


FIG.4

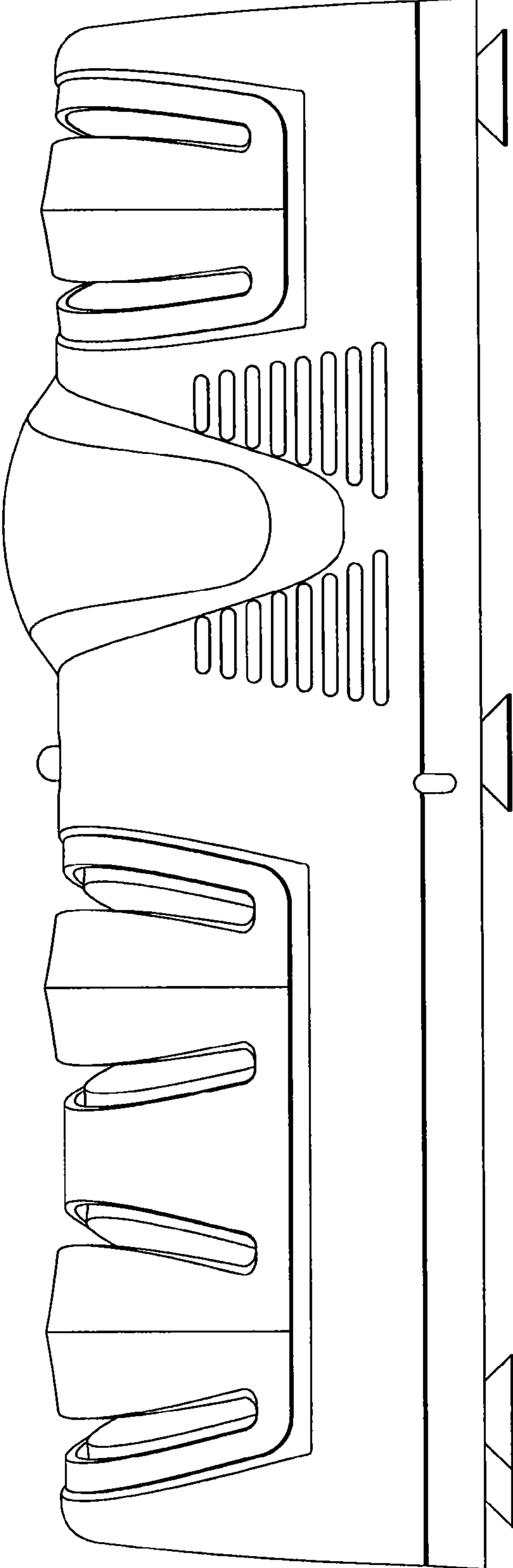


FIG.5