



US00D632152S

(12) **United States Design Patent**
Okuda

(10) **Patent No.:** **US D632,152 S**
(45) **Date of Patent:** **** Feb. 8, 2011**

(54) **PORTABLE ELECTRIC GRINDER**

(75) Inventor: **Shinsuke Okuda, Anjo (JP)**

(73) Assignee: **Makita Corporation, Anjo-shi (JP)**

(**) Term: **14 Years**

(21) Appl. No.: **29/356,639**

(22) Filed: **Mar. 1, 2010**

(30) **Foreign Application Priority Data**

Sep. 4, 2009 (JP) 2009-020442

(51) **LOC (9) Cl.** **08-05**

(52) **U.S. Cl.** **D8/62**

(58) **Field of Classification Search** D32/15,
D32/17, 19; D8/67, 62, 61; D4/102; 451/456,
451/451, 359, 358, 357, 356, 355, 354, 353,
451/351, 344; 310/50; 173/170; 200/50.32
See application file for complete search history.

(56) **References Cited**

U.S. PATENT DOCUMENTS

D255,417 S *	6/1980	Sakamoto et al.	D8/62
D328,841 S *	8/1992	Fushiya et al.	D8/62
D347,153 S *	5/1994	Uneyama	D8/62
D396,175 S *	7/1998	Chung	D8/62
D402,870 S *	12/1998	Etter et al.	D8/62
D453,098 S *	1/2002	Pretzell	D8/62
D475,263 S *	6/2003	Andriolo	D8/62
D491,033 S *	6/2004	Bian	D8/62
D494,827 S *	8/2004	Liu	D8/62
D521,833 S *	5/2006	Okuda et al.	D8/62
D522,334 S *	6/2006	Waldron	D8/62
D523,308 S *	6/2006	Corcoran	D8/62
D524,129 S *	7/2006	Waldron	D8/62
D528,389 S *	9/2006	Wu	D8/62
D538,615 S *	3/2007	Hastie	D8/62
D544,325 S *	6/2007	Wright	D8/62
D545,156 S *	6/2007	Waldron	D8/62
D548,034 S *	8/2007	Hayakawa et al.	D8/62

D558,016 S *	12/2007	Aglassinger	D8/62
D564,321 S *	3/2008	Huguet et al.	D8/62
D567,610 S *	4/2008	Wright	D8/62
D581,759 S *	12/2008	Aglassinger	D8/62
D585,713 S *	2/2009	Boulton et al.	D8/62
D592,026 S *	5/2009	Okuda et al.	D8/62
D605,013 S *	12/2009	Kokawa et al.	D8/62
D606,828 S *	12/2009	Misaki	D8/62
D609,542 S *	2/2010	Misaki et al.	D8/62
2005/0224325 A1 *	10/2005	Turley	200/50.32
2007/0060029 A1 *	3/2007	Kraenzler et al.	451/359
2008/0090504 A1 *	4/2008	Trautner et al.	451/359
2009/0029635 A1 *	1/2009	Boeck et al.	451/359

OTHER PUBLICATIONS

European Design Registration No. 001161467-0001, published on Sep. 16, 2009, pp. 1-2.

* cited by examiner

Primary Examiner—Austin Murphy

(74) *Attorney, Agent, or Firm*—Oliff & Berridge, PLC

(57) **CLAIM**

The ornamental design for a portable electric grinder, as shown and described.

DESCRIPTION

FIG. 1 is a perspective view of a portable electric grinder showing our new design;

FIG. 2 is a front elevation view thereof;

FIG. 3 is a rear elevation view thereof;

FIG. 4 is a left side elevation view thereof;

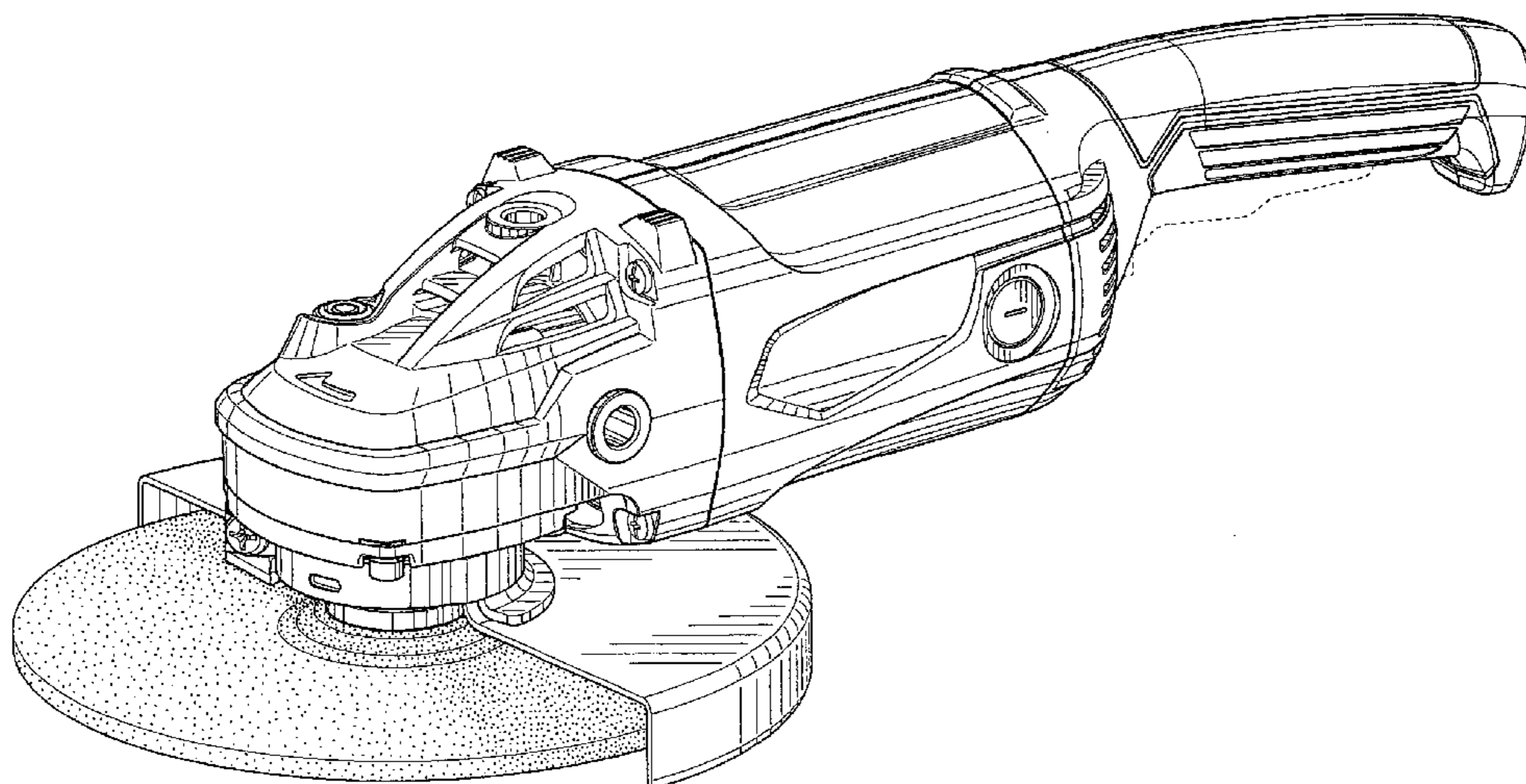
FIG. 5 is a right side elevation view thereof;

FIG. 6 is a top plan view thereof; and,

FIG. 7 is a bottom view thereof.

The broken lines shown in the drawings represent unclaimed portions of the portable electric grinder and form no part of the claimed design.

1 Claim, 7 Drawing Sheets



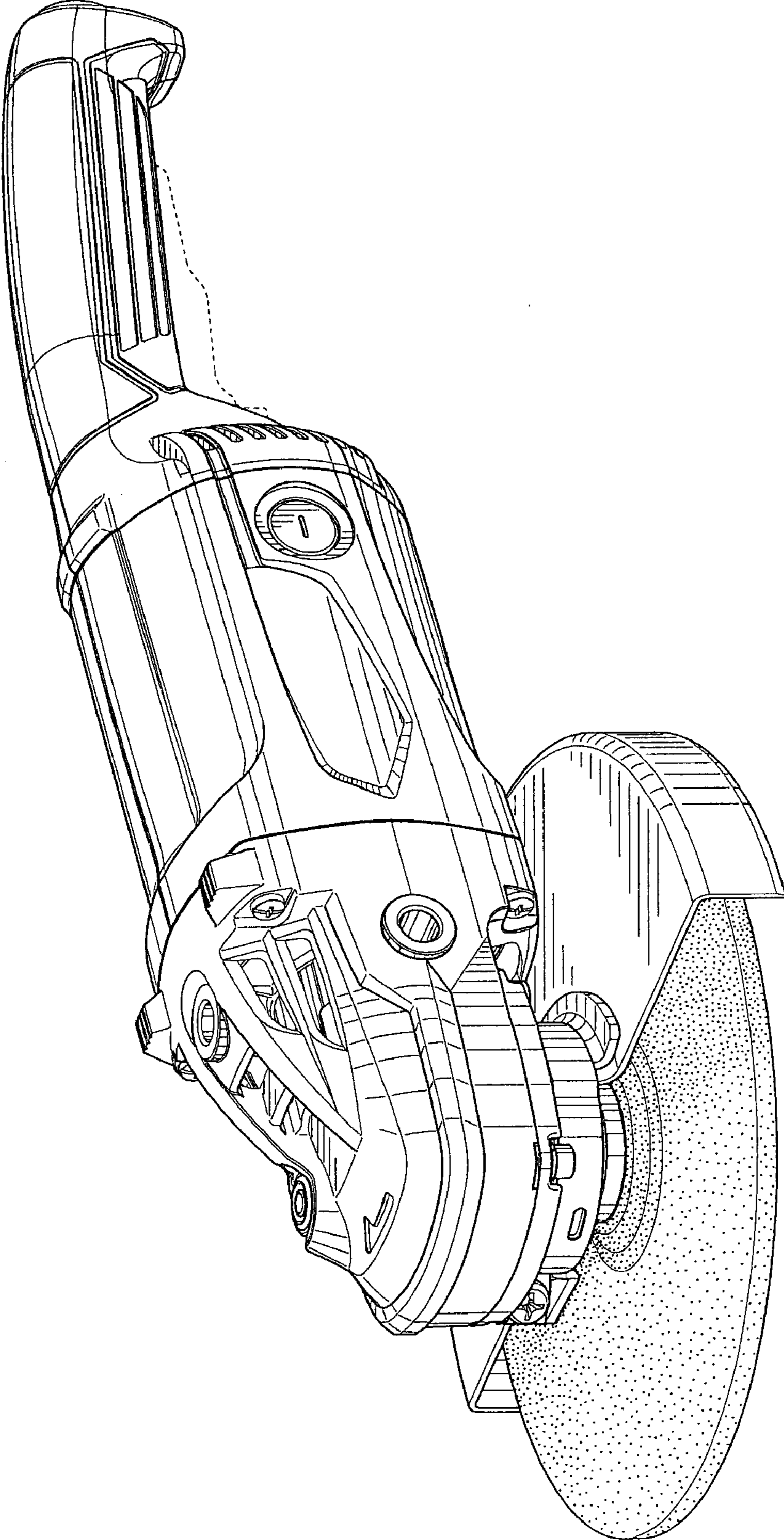


FIG. 1

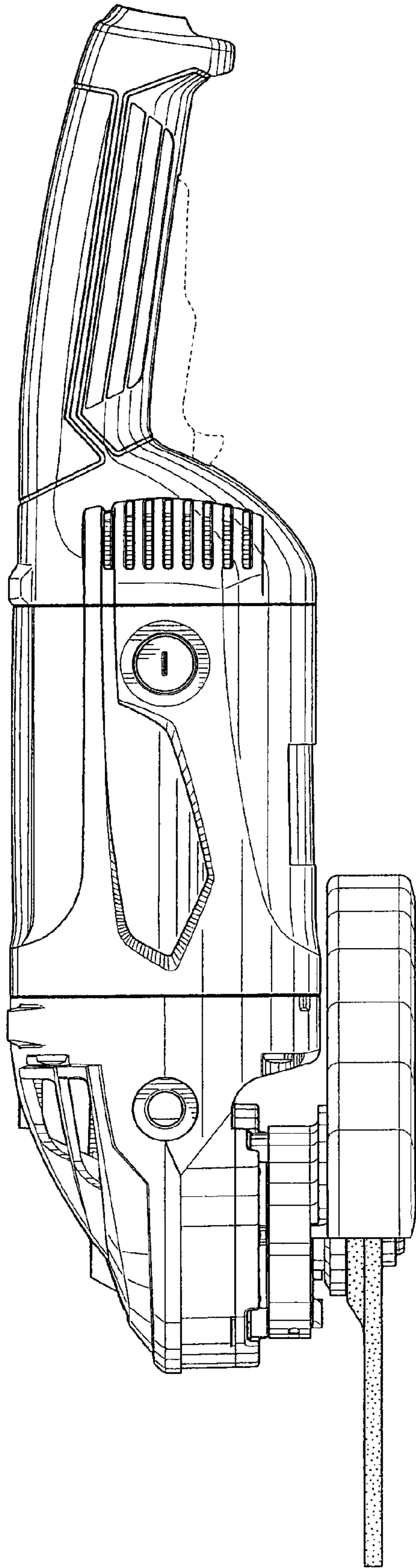


FIG. 2

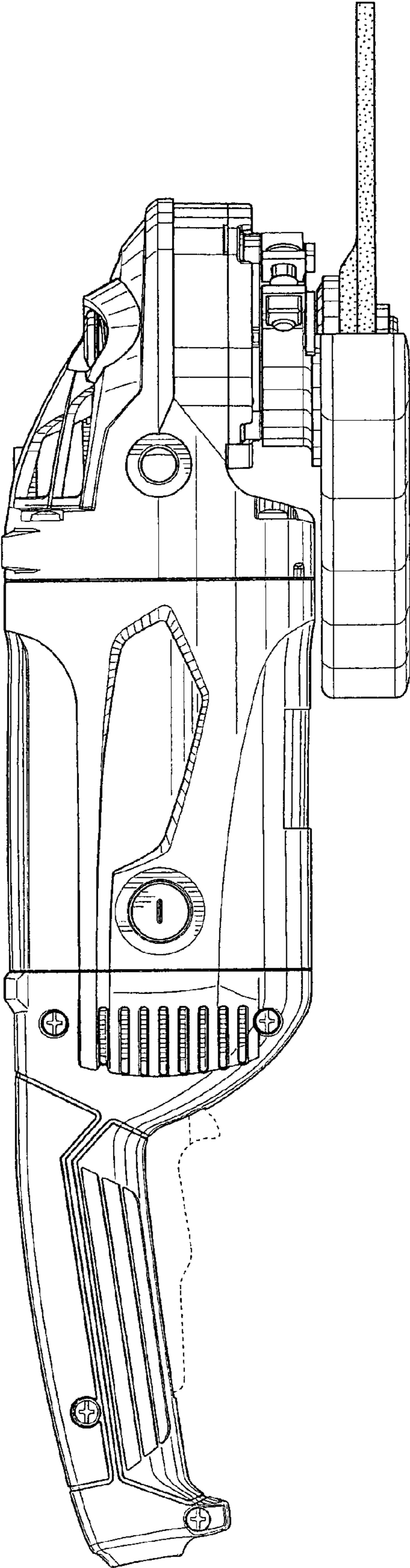


FIG. 3

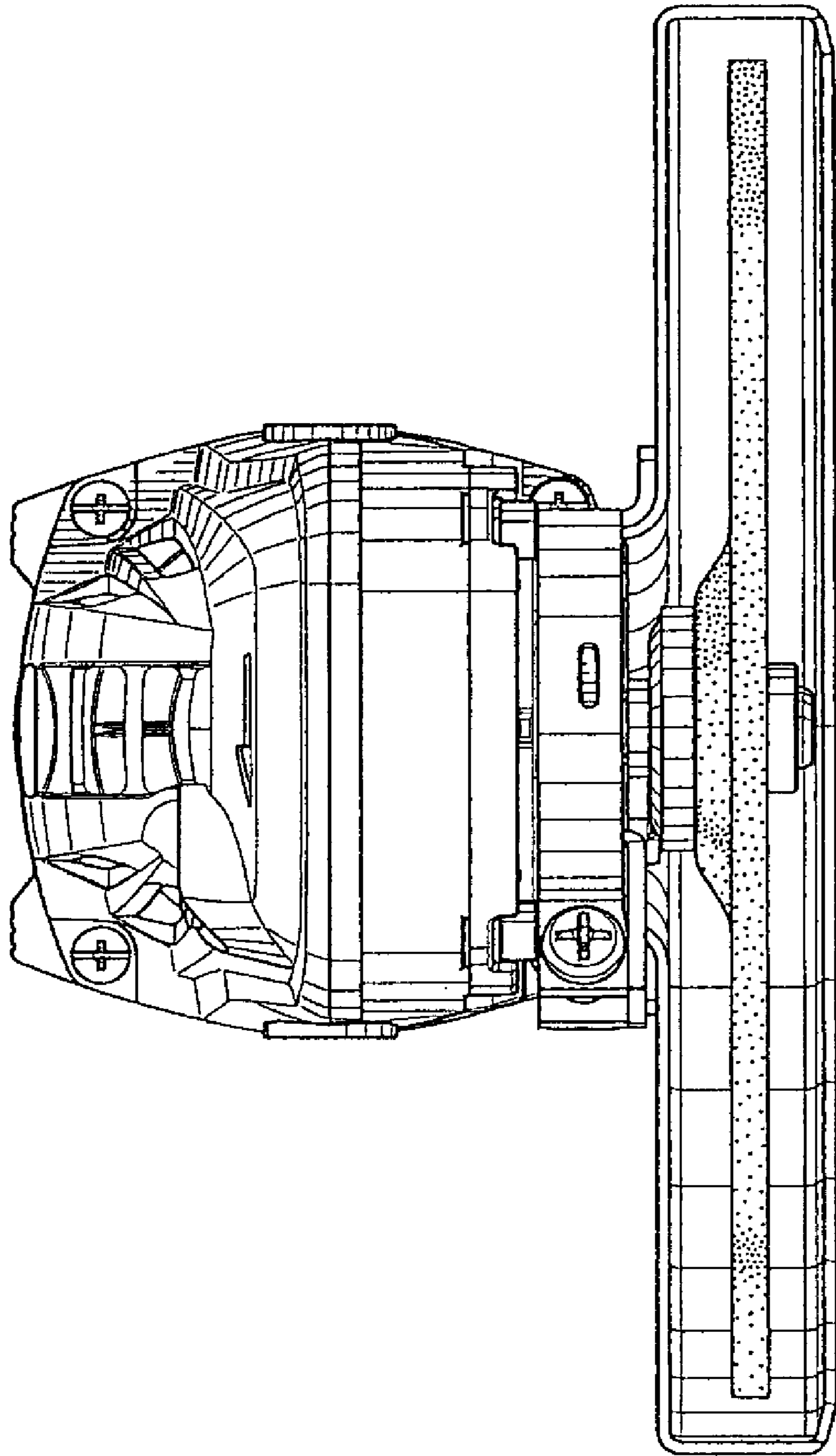


FIG. 4

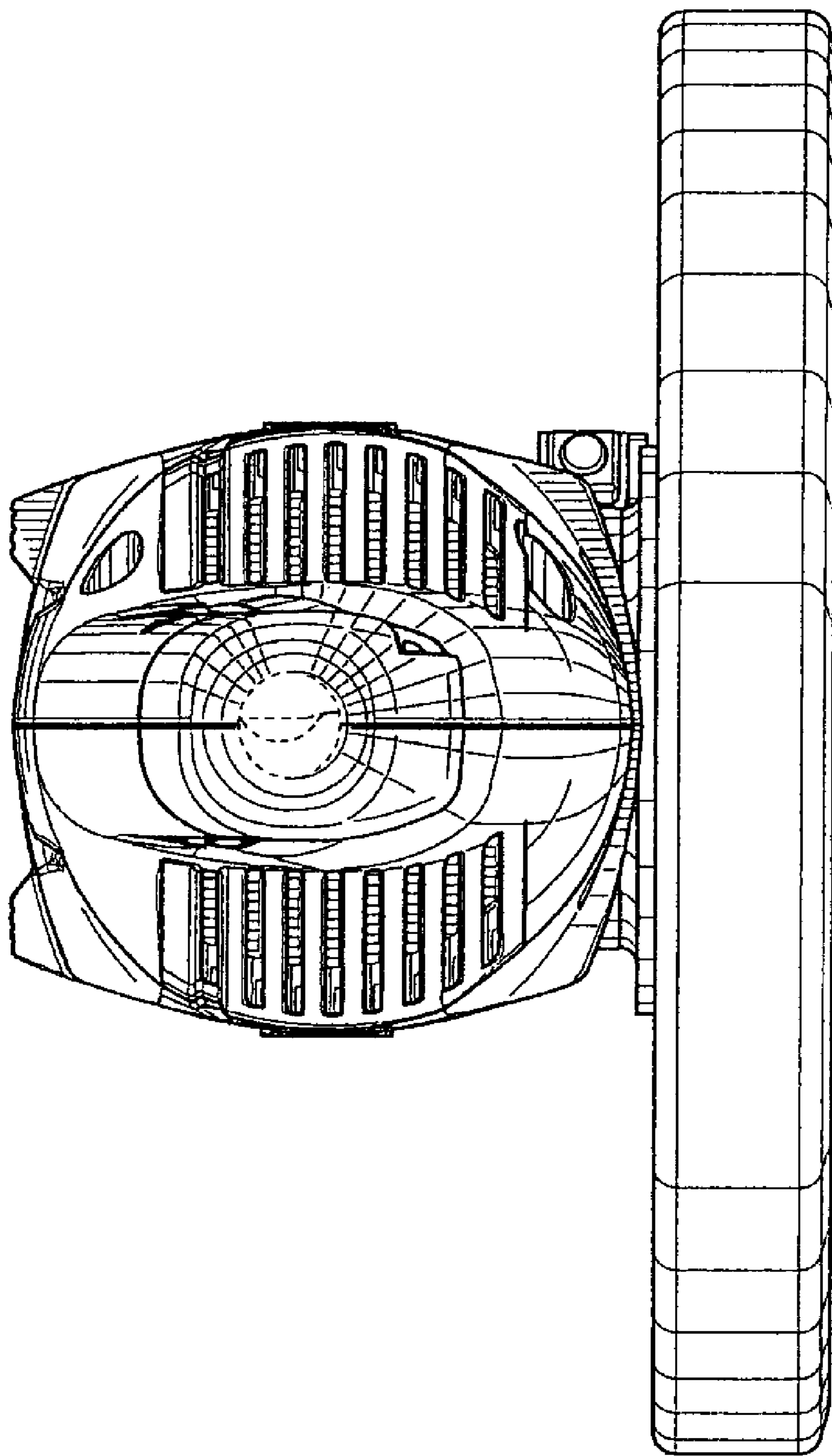


FIG. 5

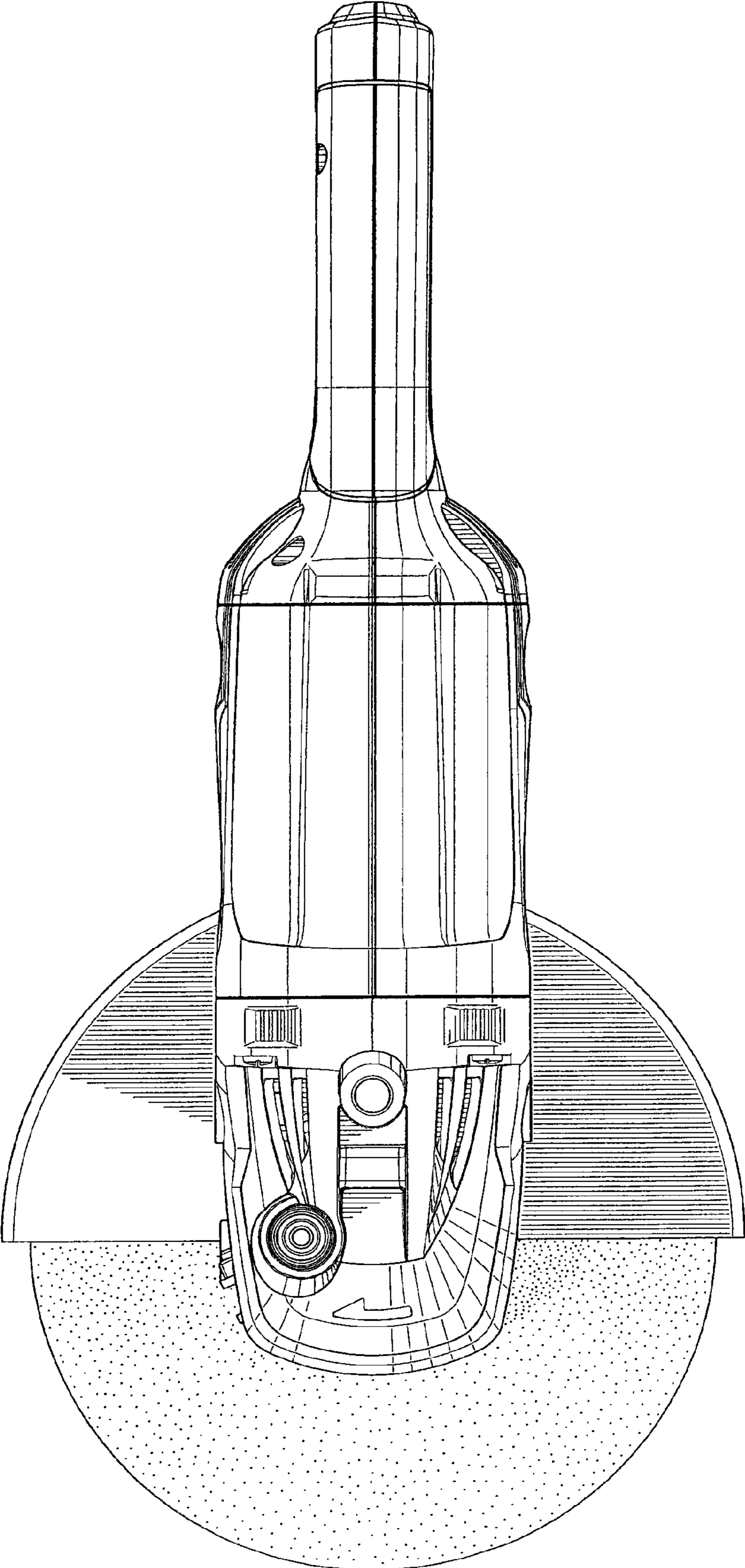


FIG. 6

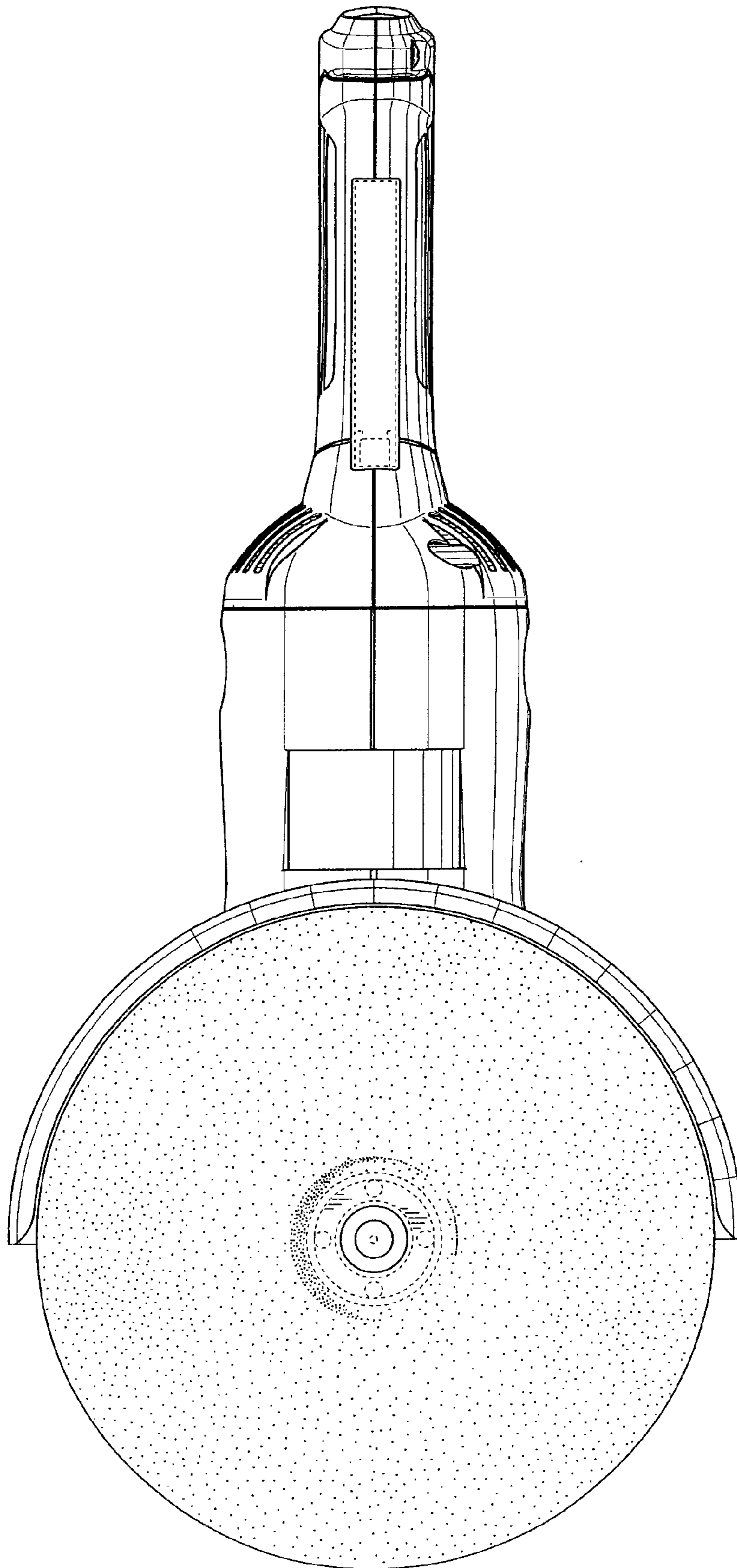


FIG. 7