

US00D632150S

(12) **United States Design Patent**
Ruan

(10) **Patent No.:** **US D632,150 S**
(45) **Date of Patent:** **** Feb. 8, 2011**

(54) **TIGHTENER WITH INTELLIGENT CONTROL**

(75) Inventor: **Buqin Ruan**, Zhugang Town (CN)

(73) Assignee: **Zhejiang Topsun Logistic Control Co., Ltd.**, Taizhou (CN)

(**) Term: **14 Years**

(21) Appl. No.: **29/342,540**

(22) Filed: **Aug. 26, 2009**

(30) **Foreign Application Priority Data**

Mar. 11, 2009 (CN) 2009 3 0006519

(51) **LOC (9) Cl.** **08-05**

(52) **U.S. Cl.** **D8/44**

(58) **Field of Classification Search** D8/14,
D8/44; D34/33; 24/68 CD, 68 R; 254/217-220,
254/223, 247, 248; 401/100, 103

See application file for complete search history.

(56) **References Cited**

U.S. PATENT DOCUMENTS

D340,791 S *	10/1993	Wang	D34/33
6,824,121 B2 *	11/2004	Boice	254/223
7,069,623 B2 *	7/2006	Lu	24/68 CD
7,216,849 B2 *	5/2007	Tremblay	254/220
7,278,808 B1 *	10/2007	Sisk et al.	410/156
7,374,379 B2 *	5/2008	Booher	410/103
7,413,170 B2 *	8/2008	Ruan	254/244
7,472,890 B2 *	1/2009	Huang	254/223
7,527,462 B2 *	5/2009	Chou	410/103
7,559,729 B2 *	7/2009	Ruan	410/103
2004/0155230 A1 *	8/2004	Fortin	254/219
2005/0253125 A1 *	11/2005	Drarvik et al.	254/347
2008/0001132 A1 *	1/2008	Huang	254/362
2009/0308826 A1 *	12/2009	Kempf	212/270

* cited by examiner

Primary Examiner—Philip S Hyder
Assistant Examiner—Roselyne Cody
(74) *Attorney, Agent, or Firm*—Cheng Law Group, PLLC

(57) **CLAIM**

The ornamental design for the tightener with intelligent control, as shown and described.

DESCRIPTION

FIG. 1 is a perspective view of a tightener with intelligent control showing the new design;

FIG. 2 is another perspective view of the tightener with intelligent control;

FIG. 3 is another perspective view of the tightener with intelligent control;

FIG. 4 is another perspective view of the tightener with intelligent control;

FIG. 5 is another perspective view of the tightener with intelligent control;

FIG. 6 is another perspective view of the tightener with intelligent control;

FIG. 7 is a front view of the tightener with intelligent control;

FIG. 8 is a rear view of the tightener with intelligent control;

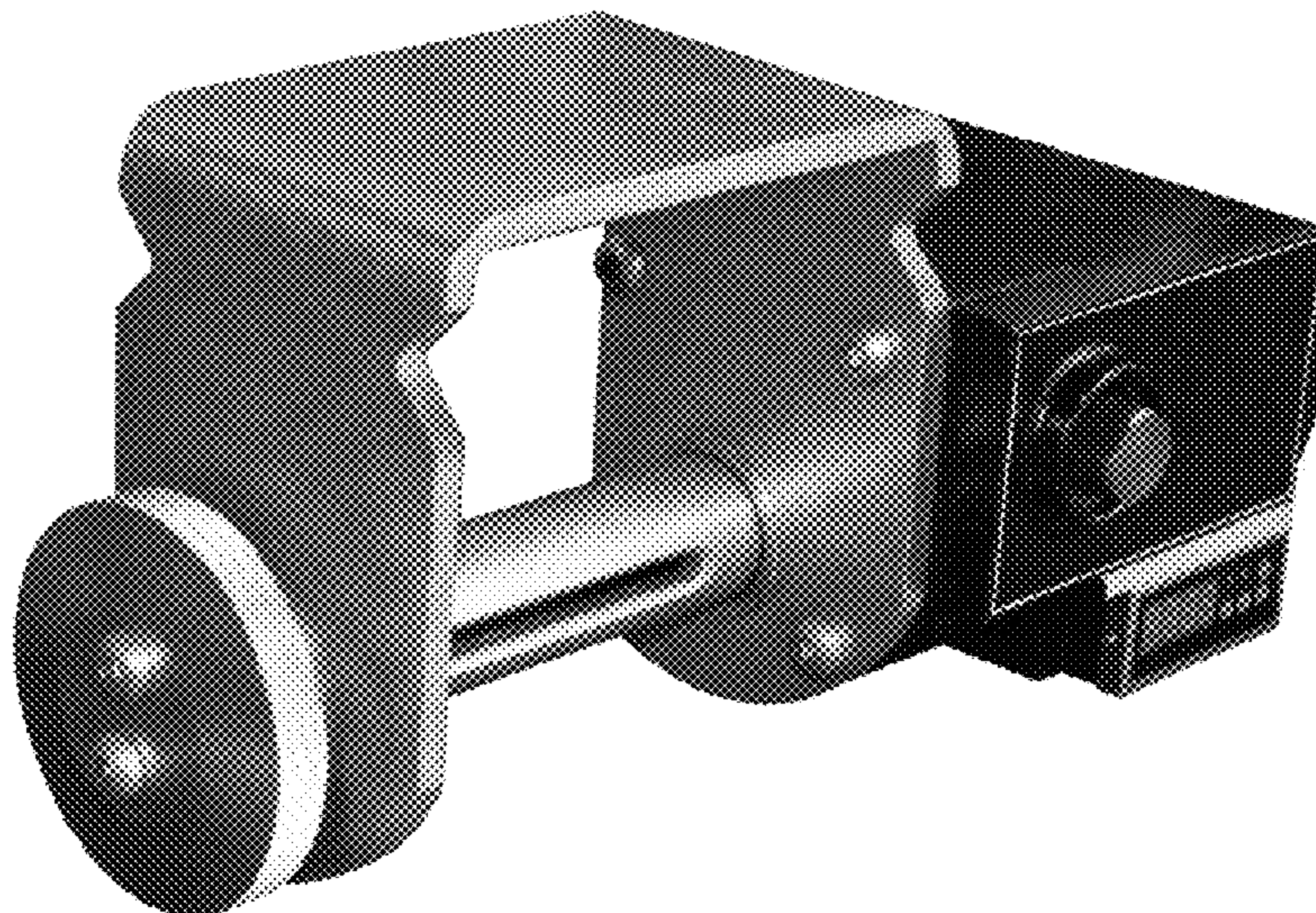
FIG. 9 is a top view of the tightener with intelligent control;

FIG. 10 is a bottom view of the tightener with intelligent control;

FIG. 11 is a left side view of the tightener with intelligent control; and,

FIG. 12 is a right side view of the tightener with intelligent control.

1 Claim, 12 Drawing Sheets



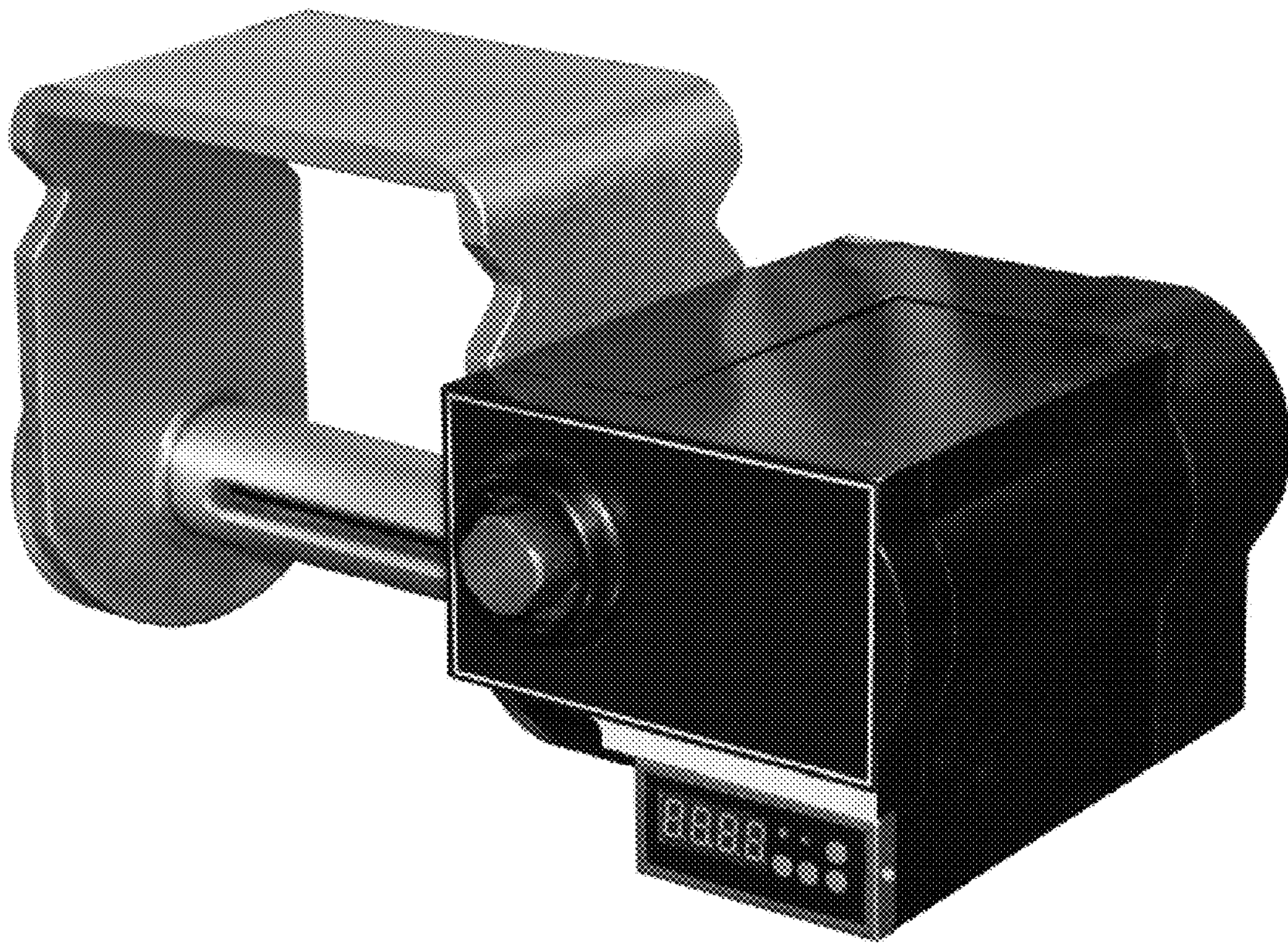


Fig.1

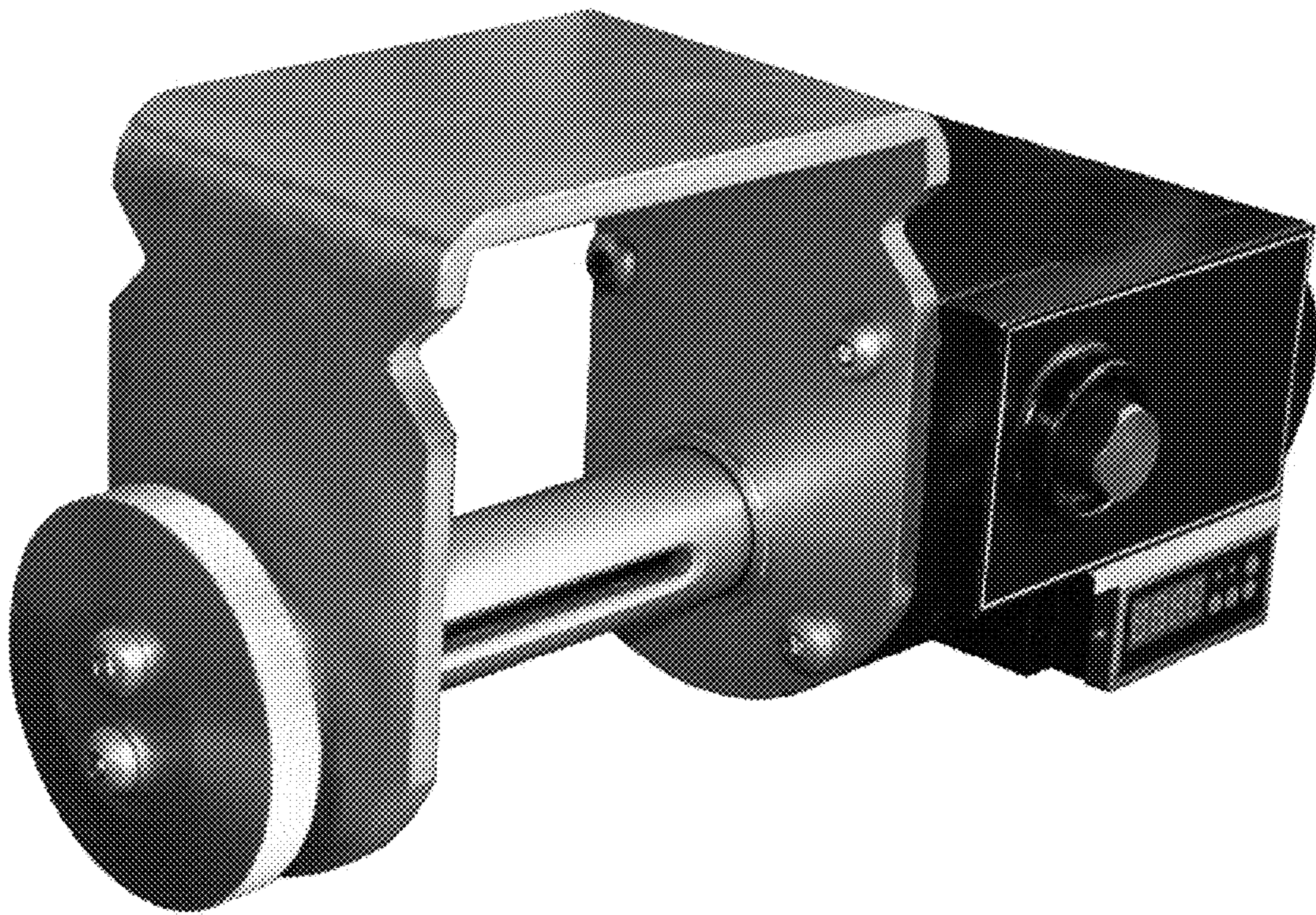


Fig.2

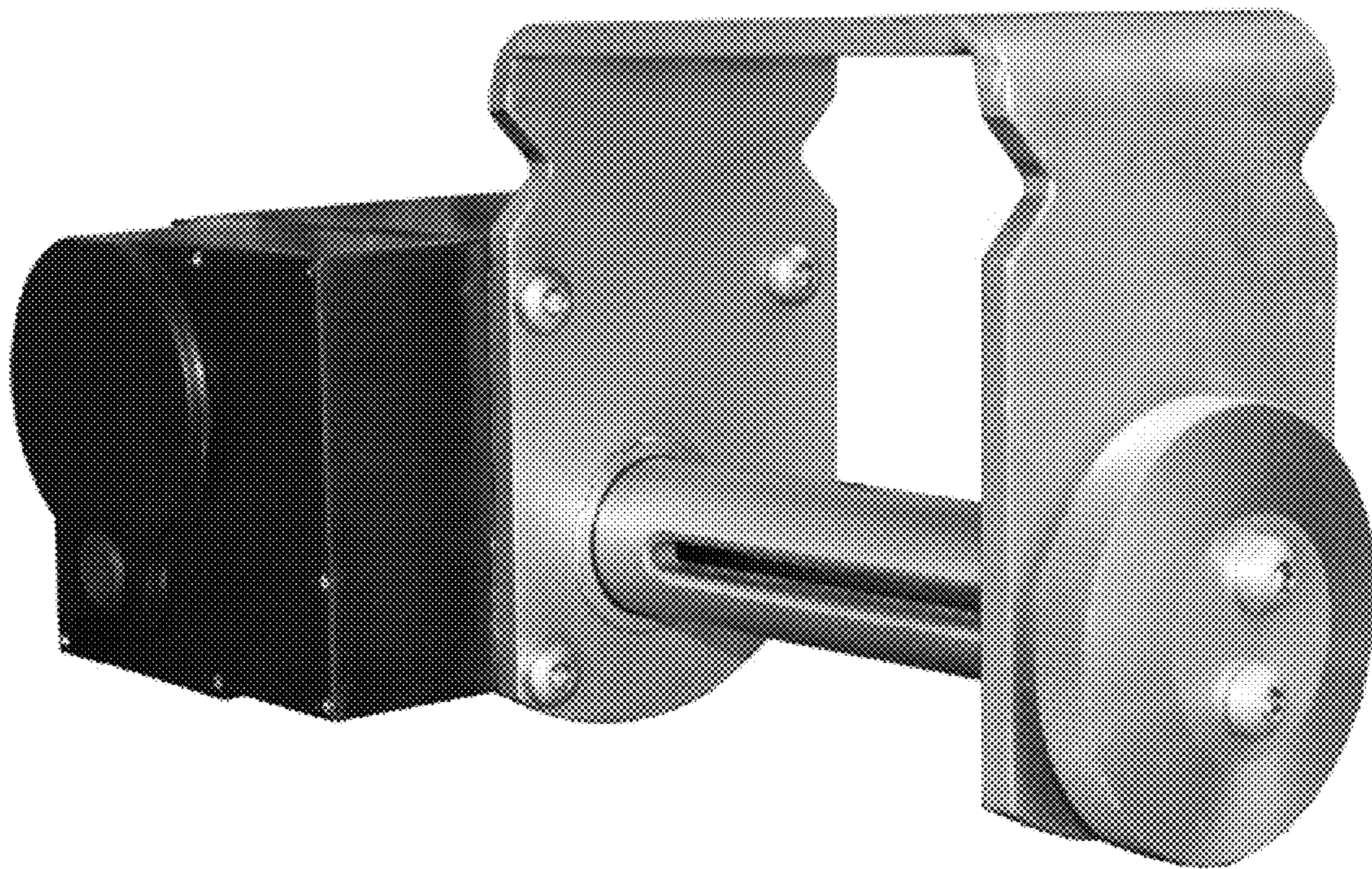


Fig.3

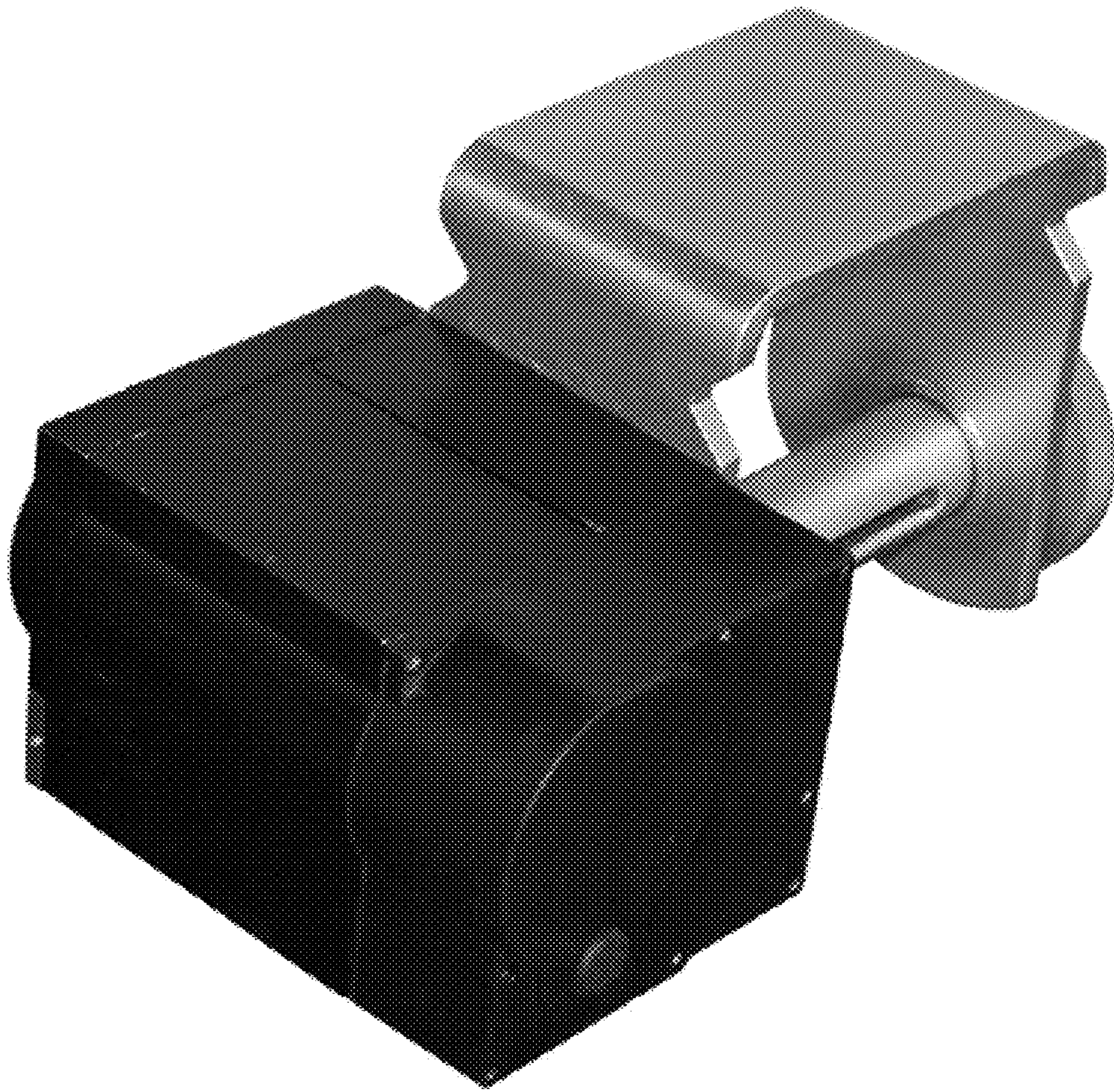


Fig.4

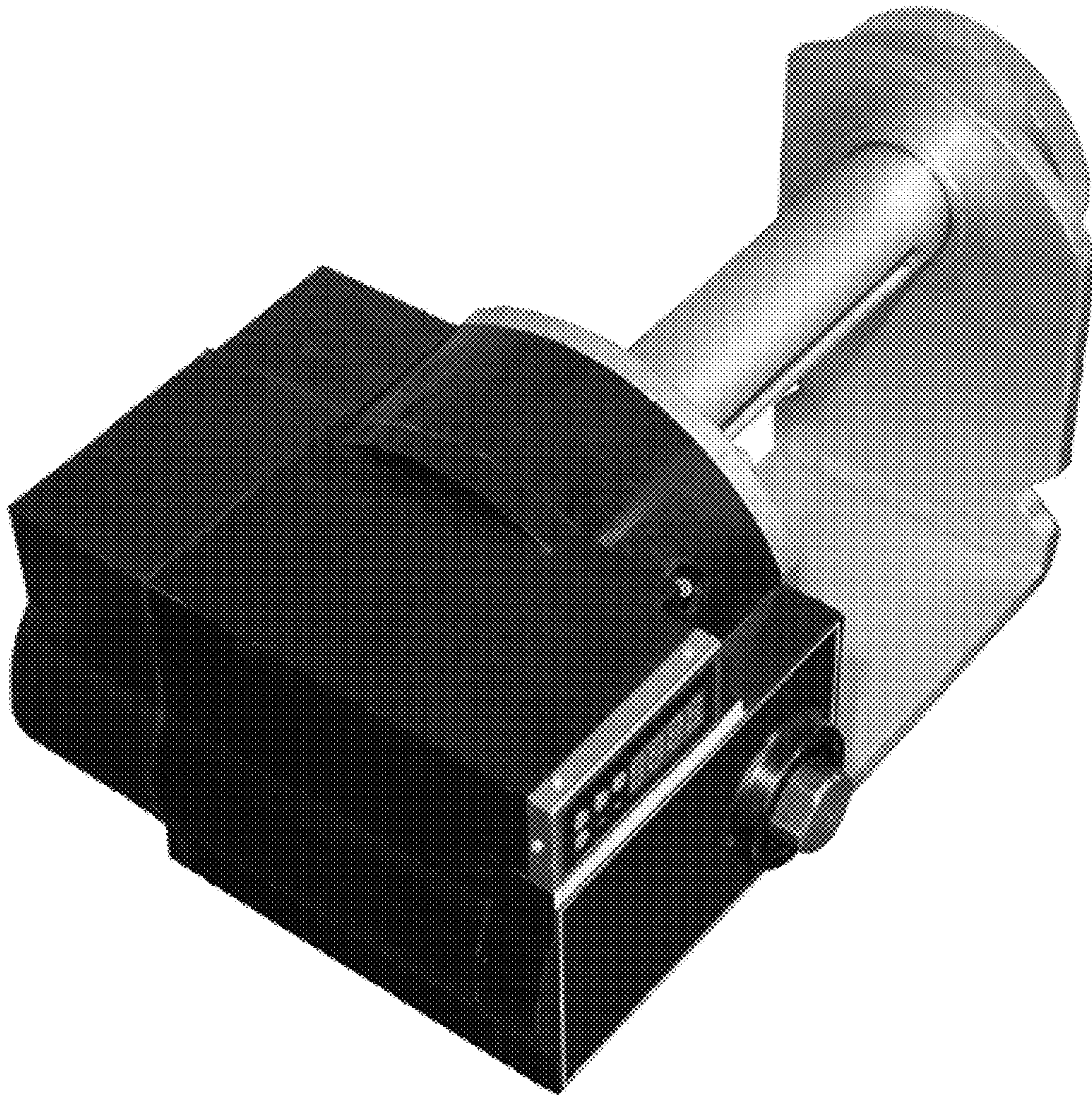


Fig.5

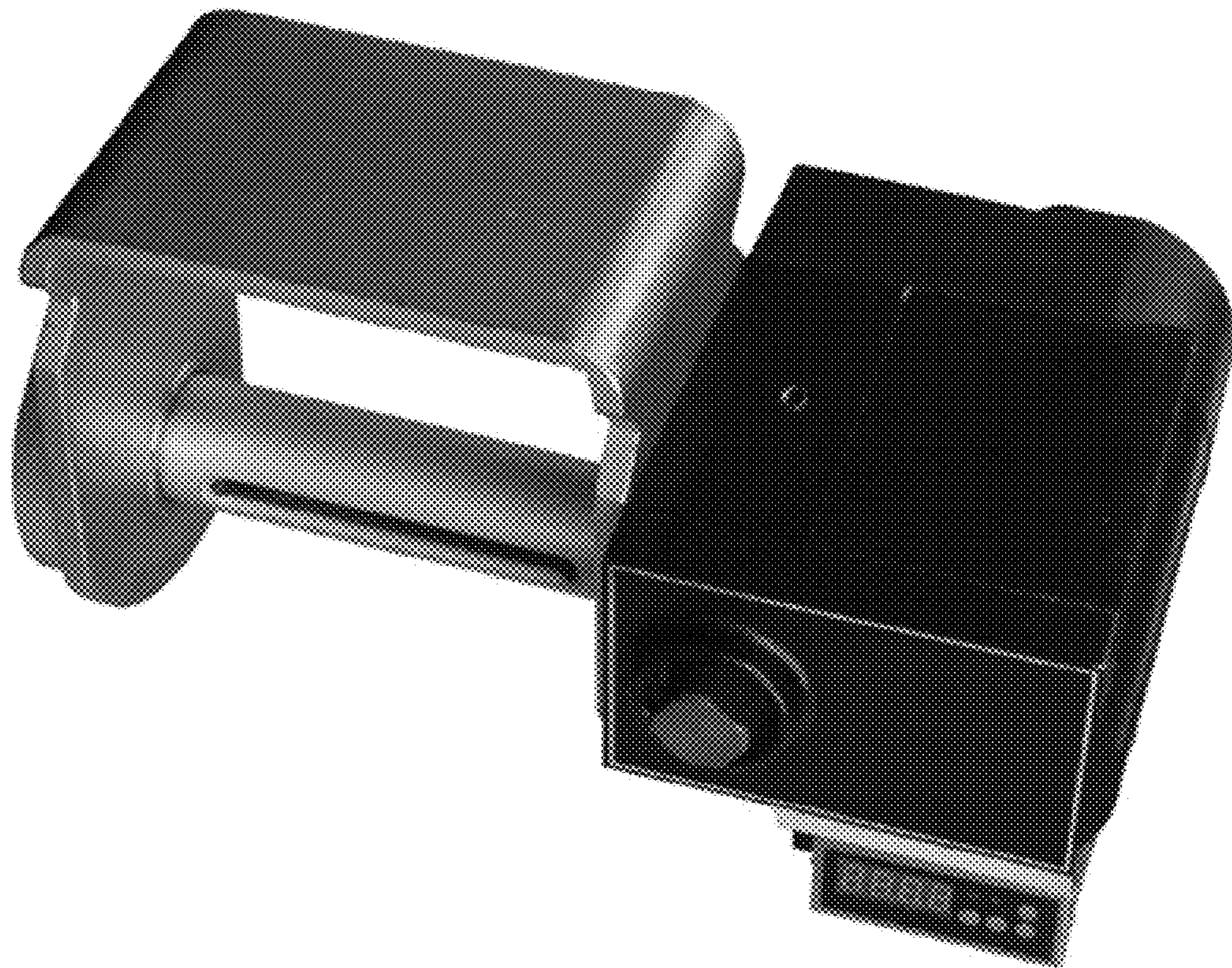


Fig.6

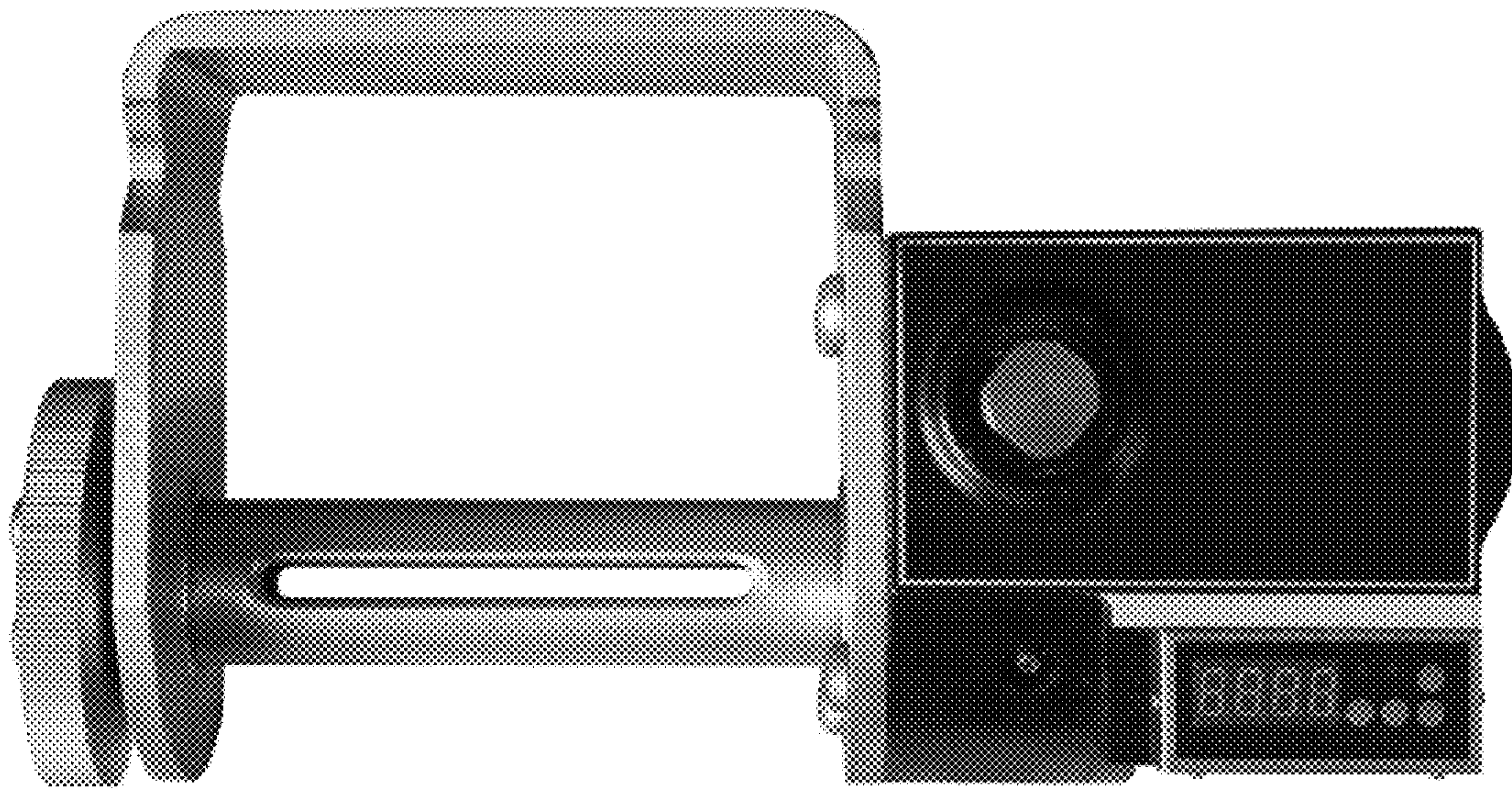


Fig.7

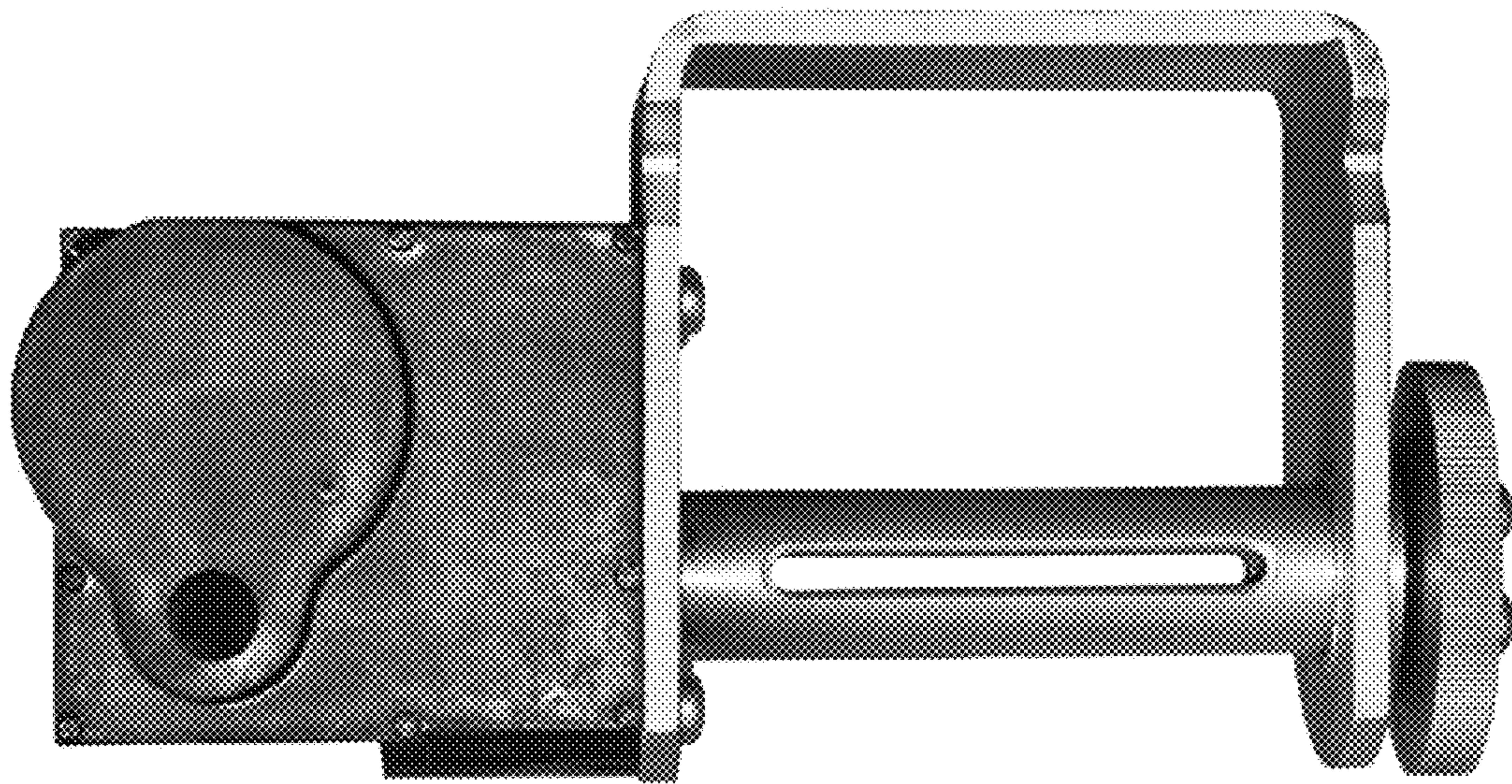


Fig.8

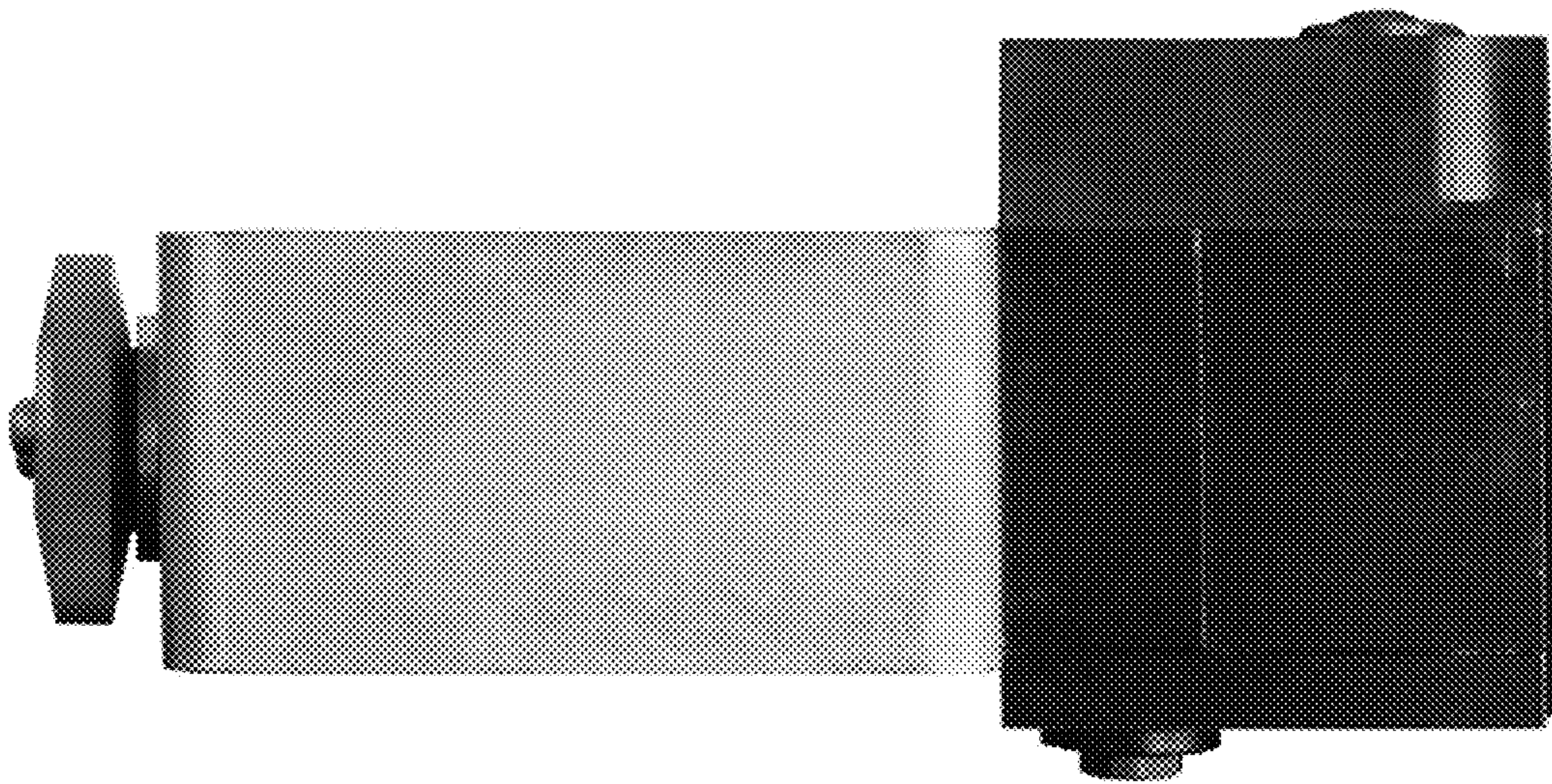


Fig.9

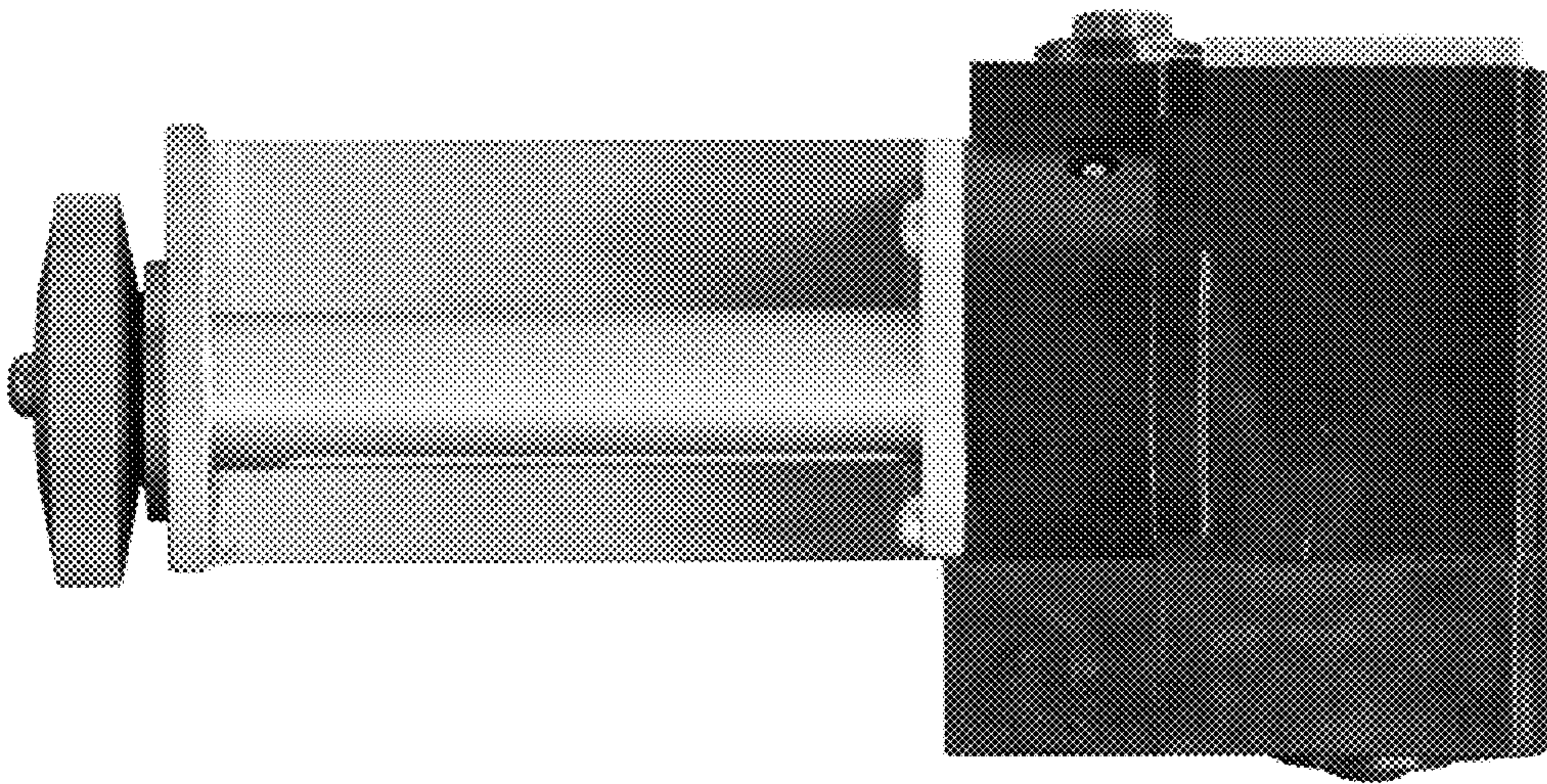


Fig.10

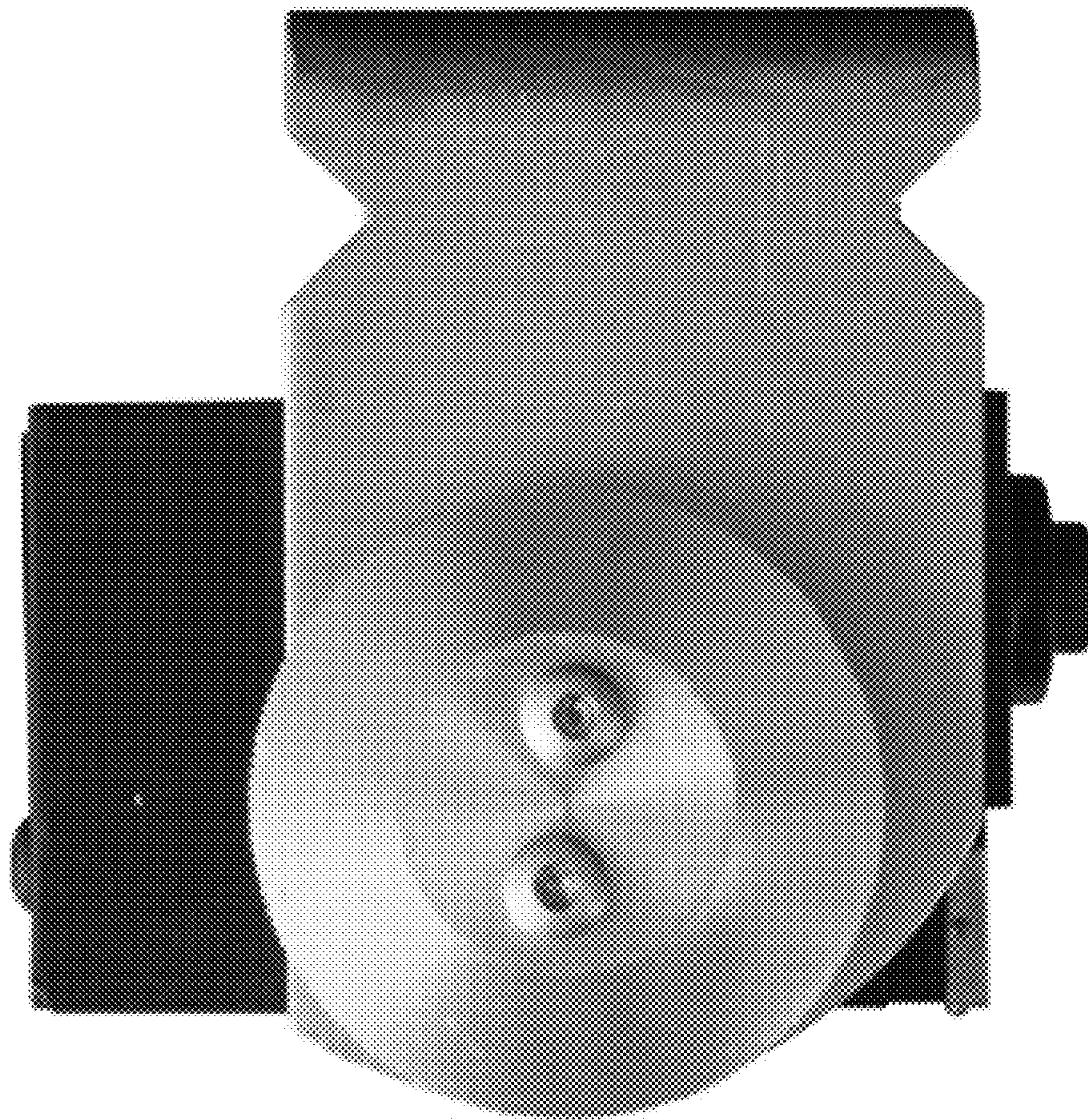


Fig. 11

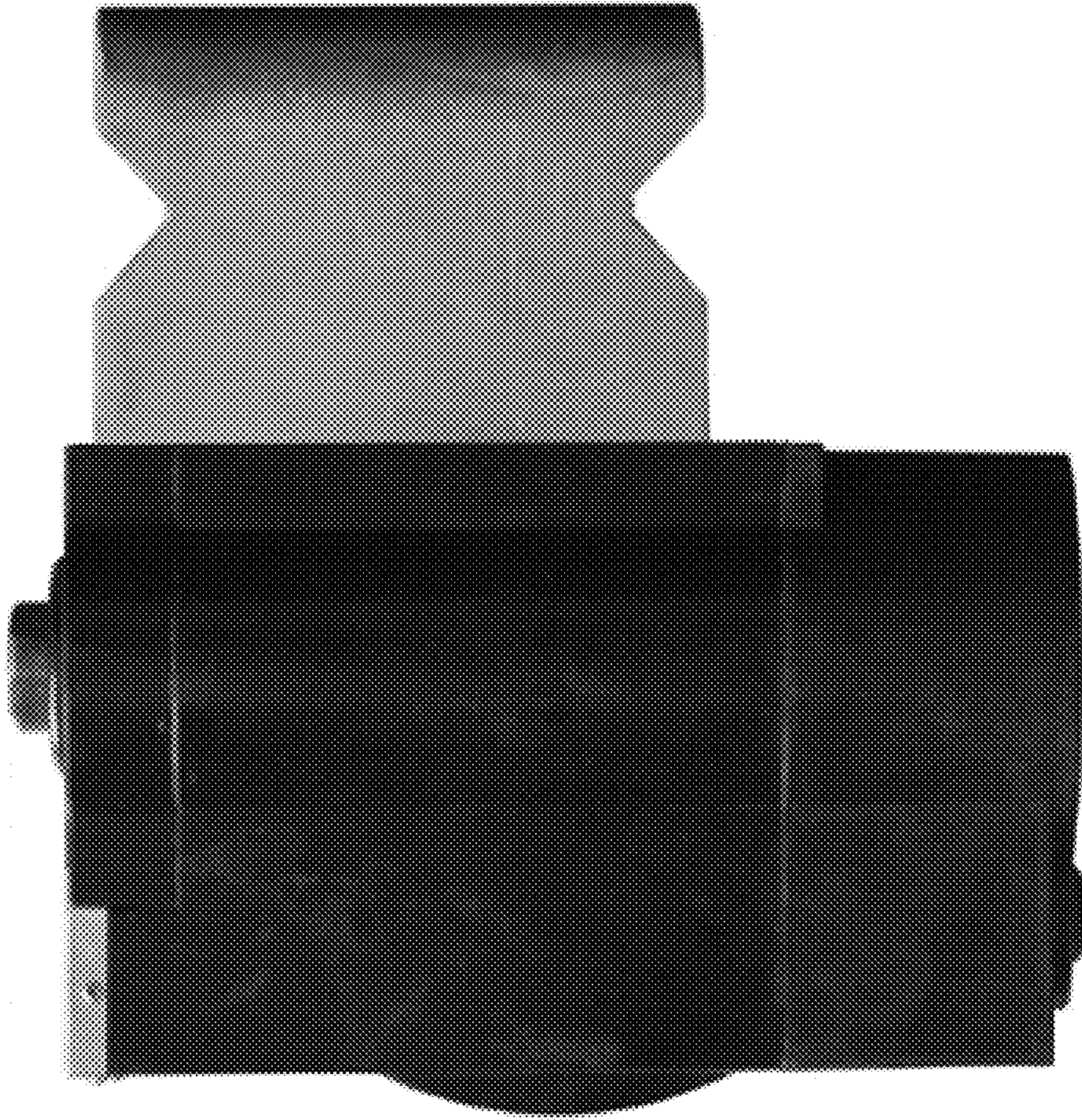


Fig. 12