



US00D632149S

(12) **United States Design Patent**
Li et al.

(10) **Patent No.:** **US D632,149 S**
(45) **Date of Patent:** **** Feb. 8, 2011**

(54) **SOCKET**

(75) Inventors: **Yi-Min Li**, Dali (TW); **Andreas Dierolf**,
Untermunkheim (DE)

(73) Assignee: **Cendai Industrial Co., Ltd.**, Taichung
County (TW)

(**) Term: **14 Years**

(21) Appl. No.: **29/367,230**

(22) Filed: **Aug. 4, 2010**

(51) **LOC (9) Cl.** **08-05**

(52) **U.S. Cl.** **D8/29**

(58) **Field of Classification Search** D8/21-29;
81/58.3-59.16, 177.1, 177.85, 121.1, 124.3,
81/165-170, 110.1, 176.2, 124.6, 176.1,
81/176.15, 177.2; 16/110.1; D15/144.1;
219/75, 227, 229, 121.16, 121.18

See application file for complete search history.

(56) **References Cited**

U.S. PATENT DOCUMENTS

- 4,408,504 A * 10/1983 Dobosh 81/59.1
- 4,616,535 A * 10/1986 Chiavon 81/121.1
- 4,671,141 A * 6/1987 Hanson 81/53.2

- 4,939,961 A * 7/1990 Lee 81/60
- 5,140,875 A * 8/1992 Kim 81/63.1
- 5,313,860 A * 5/1994 Liou 81/437
- 5,970,825 A * 10/1999 Barnett et al. 81/60
- 6,595,088 B2 * 7/2003 Kuo et al. 81/58.5
- 7,010,998 B2 * 3/2006 Ying-Hao 81/121.1
- D570,169 S * 6/2008 Lin D8/29
- 2008/0236343 A1 * 10/2008 Chen 81/58.4

* cited by examiner

Primary Examiner—Raphael Barkai

Assistant Examiner—Randall Gholson

(74) *Attorney, Agent, or Firm*—Banger Shia

(57) **CLAIM**

We claim the ornamental design for a socket, as shown and described.

DESCRIPTION

FIG. 1 is a perspective view of a socket, showing my new design;

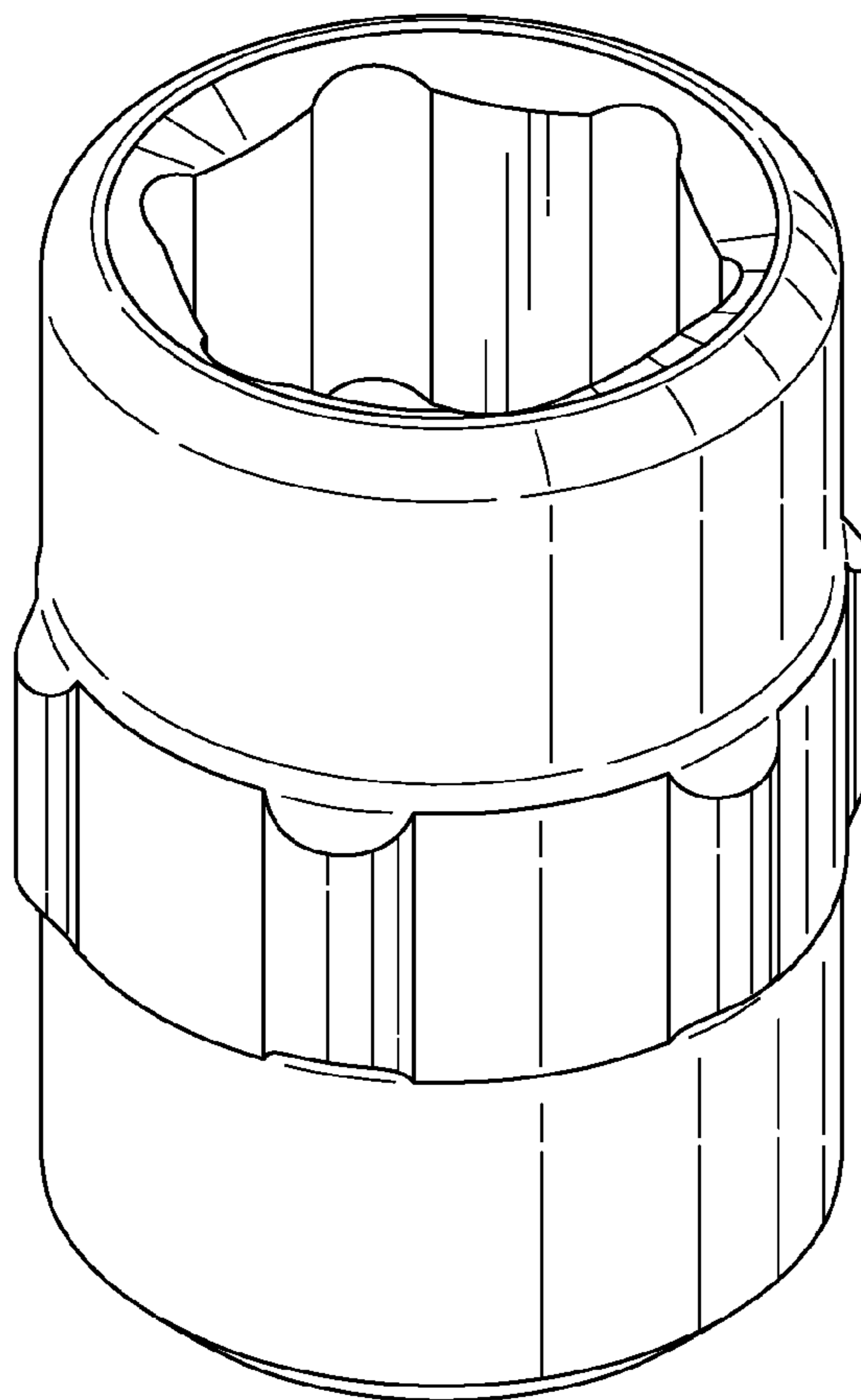
FIG. 2 is a front elevational view thereof;

FIG. 3 is a right side elevational view thereof;

FIG. 4 is a top plan view thereof; and,

FIG. 5 is a bottom plan view thereof.

1 Claim, 3 Drawing Sheets



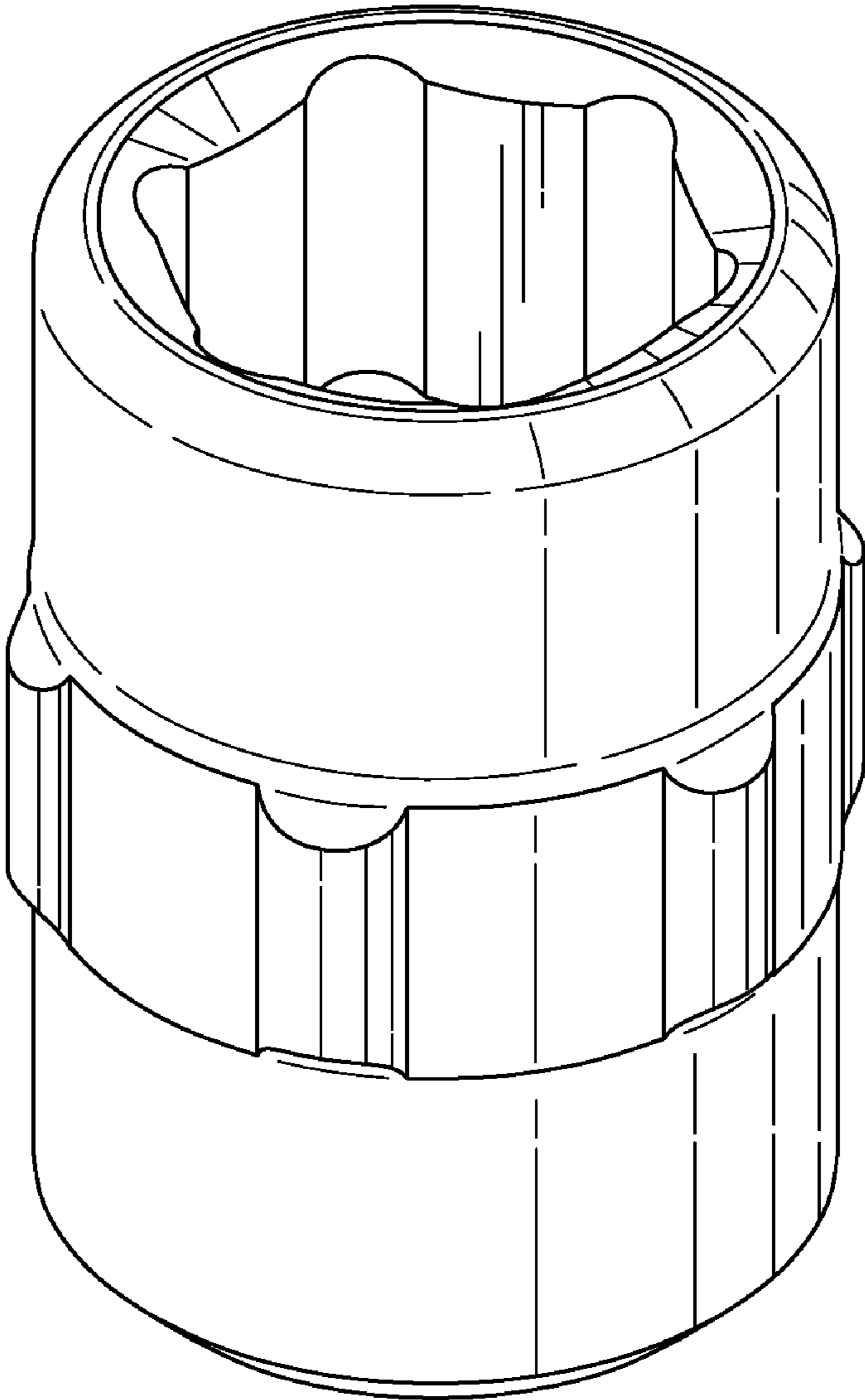


FIG. 1

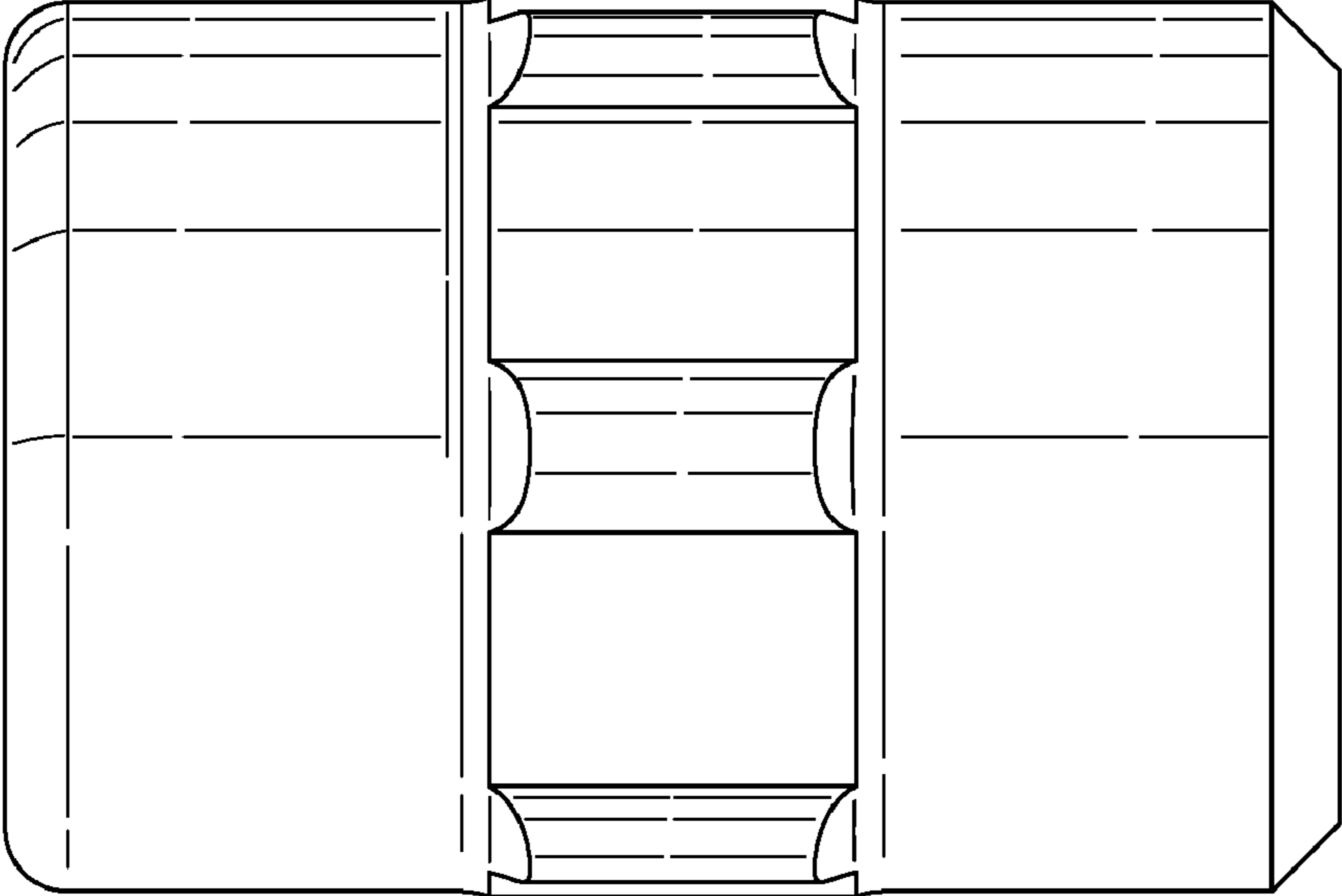


FIG. 3

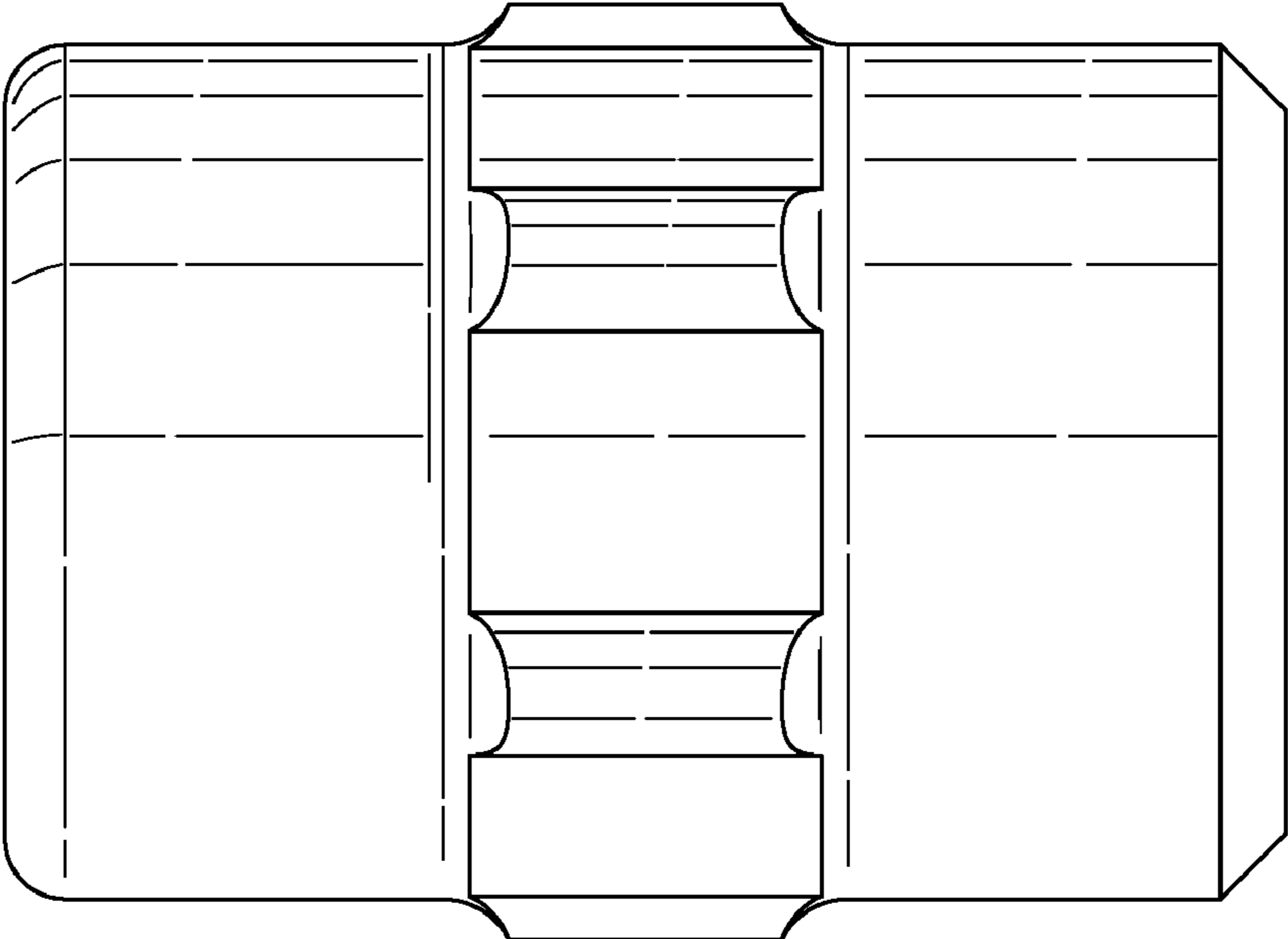


FIG. 2

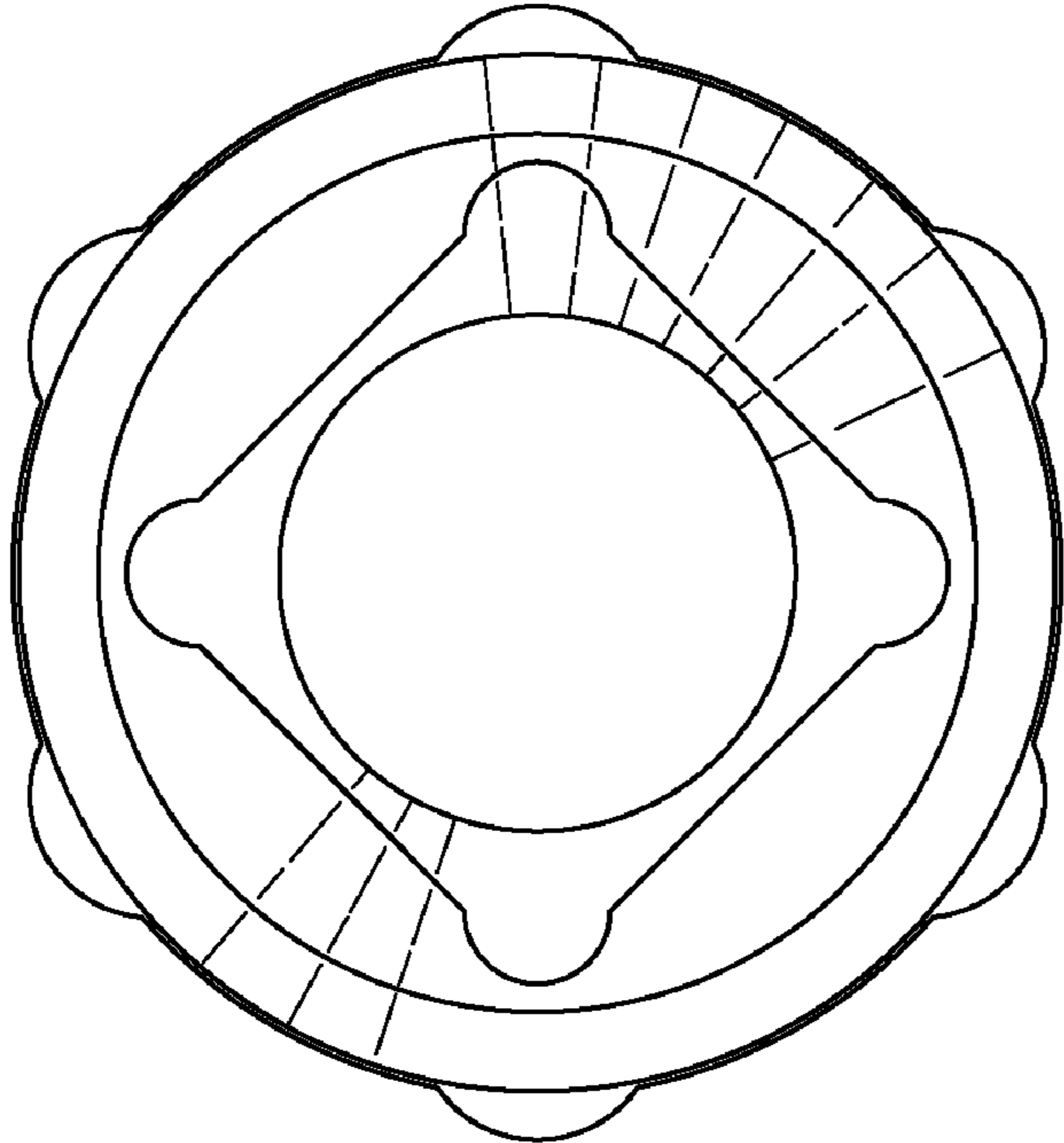


FIG. 5

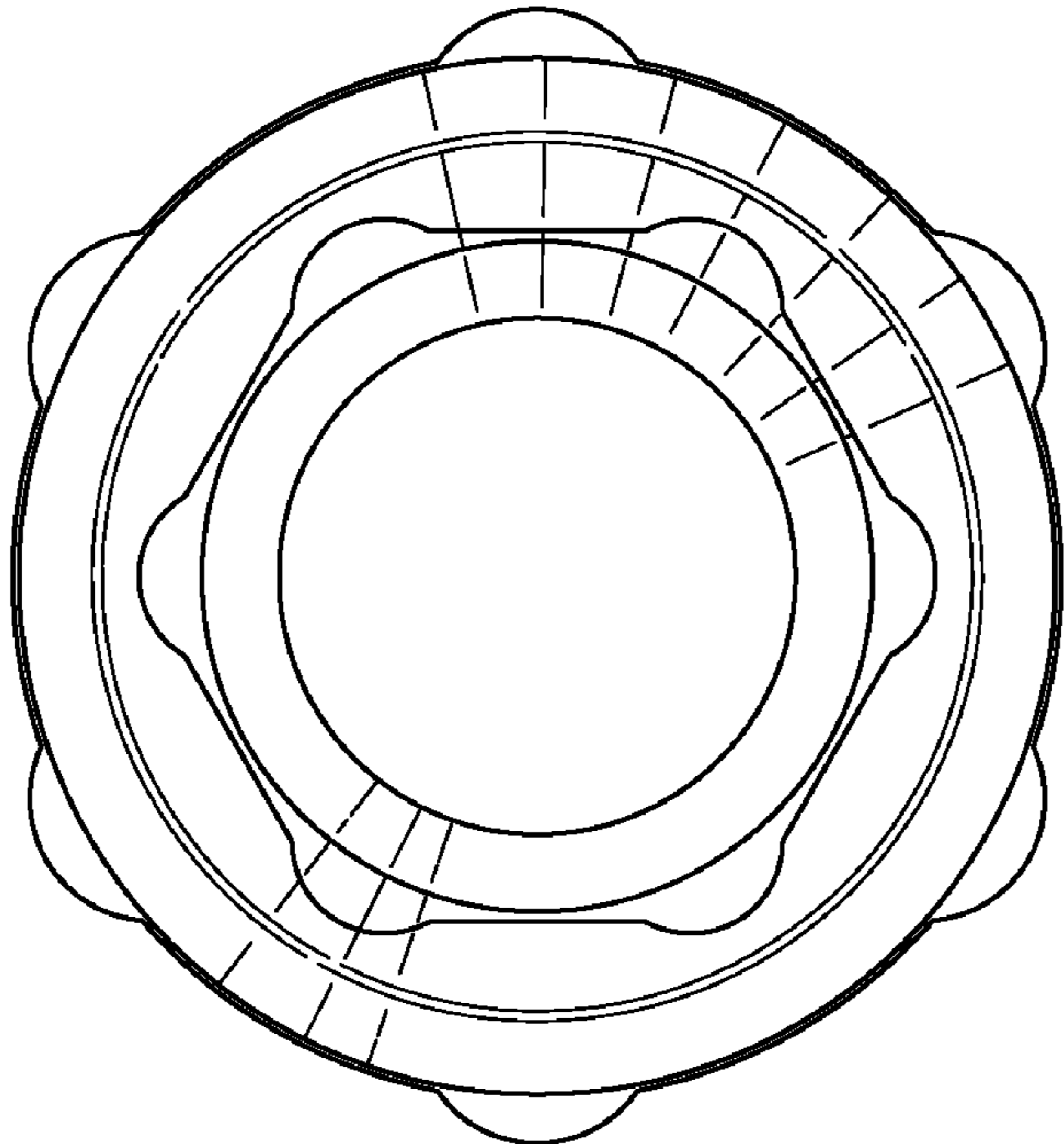


FIG. 4