



US00D632146S

(12) **United States Design Patent**
Notaras et al.

(10) **Patent No.:** **US D632,146 S**
(45) **Date of Patent:** **** Feb. 8, 2011**

(54) **EDGER**

(76) Inventors: **John Arthur Notaras**, 4 Fred Street,
Lilyfield NSW (AU) 2040; **Angelo**
Lambrinos Notaras, 4 Fred Street,
Lilyfield NSW (AU) 2040

(**) Term: **14 Years**

(21) Appl. No.: **29/346,257**

(22) Filed: **Oct. 29, 2009**

(30) **Foreign Application Priority Data**

Apr. 30, 2009 (AU) 11488/2009

(51) **LOC (9) Cl.** **08-01**

(52) **U.S. Cl.** **D8/8**

(58) **Field of Classification Search** D8/8,
D8/7; 30/276, 347; 56/12.7; 172/15
See application file for complete search history.

(56) **References Cited**

U.S. PATENT DOCUMENTS

D242,689 S	12/1976	Notaras et al.	
4,163,437 A	8/1979	Notaras et al.	
D262,262 S	12/1981	Notaras et al.	
4,482,831 A	11/1984	Notaras et al.	
D285,079 S *	8/1986	Huthmacher	D8/7
4,625,783 A	12/1986	Notaras et al.	
4,911,126 A	3/1990	Notaras et al.	
5,111,798 A	5/1992	Notaras et al.	
5,263,303 A *	11/1993	Stroud	56/12.7
D343,553 S *	1/1994	Stroud	D8/7
D357,690 S *	4/1995	Gobel	D15/14

D372,405 S	8/1996	Notaras et al.	
5,613,354 A *	3/1997	Foster	56/16.7
5,826,667 A	10/1998	Notaras et al.	
6,009,694 A *	1/2000	Moore et al.	56/12.7
D420,871 S	2/2000	Notaras et al.	
6,085,503 A *	7/2000	Hutchinson	56/12.7
6,116,350 A	9/2000	Notaras et al.	
6,179,059 B1	1/2001	Notaras et al.	
6,253,896 B1	7/2001	Notaras et al.	
6,263,975 B1 *	7/2001	Rosa et al.	172/15
6,516,598 B1	2/2003	Notaras et al.	
6,817,323 B2	11/2004	Notaras et al.	
D540,827 S	4/2007	Notaras et al.	

* cited by examiner

Primary Examiner—Holly H Baynham

Assistant Examiner—Sheryl Lane

(74) *Attorney, Agent, or Firm*—Design IP

(57) **CLAIM**

The ornamental design for an edger, as shown.

DESCRIPTION

FIG. 1 is a left side view of an ornamental design for an edger showing our new design.

FIG. 2 is front view thereof;

FIG. 3 is a rear view thereof;

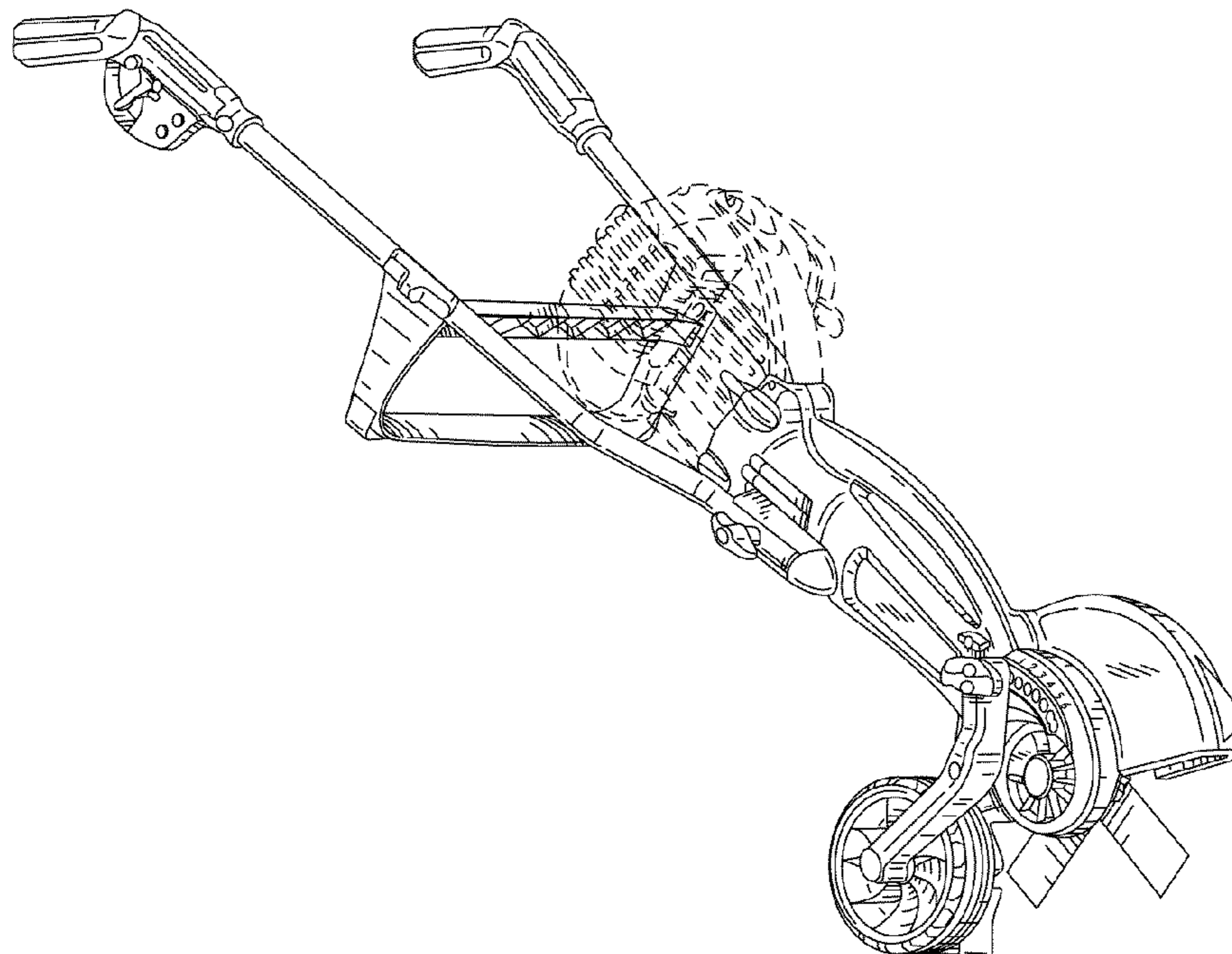
FIG. 4 is a top view thereof;

FIG. 5 is a bottom view thereof;

FIG. 6 is a right side view thereof; and,

FIG. 7 is a front perspective view thereof.

1 Claim, 7 Drawing Sheets



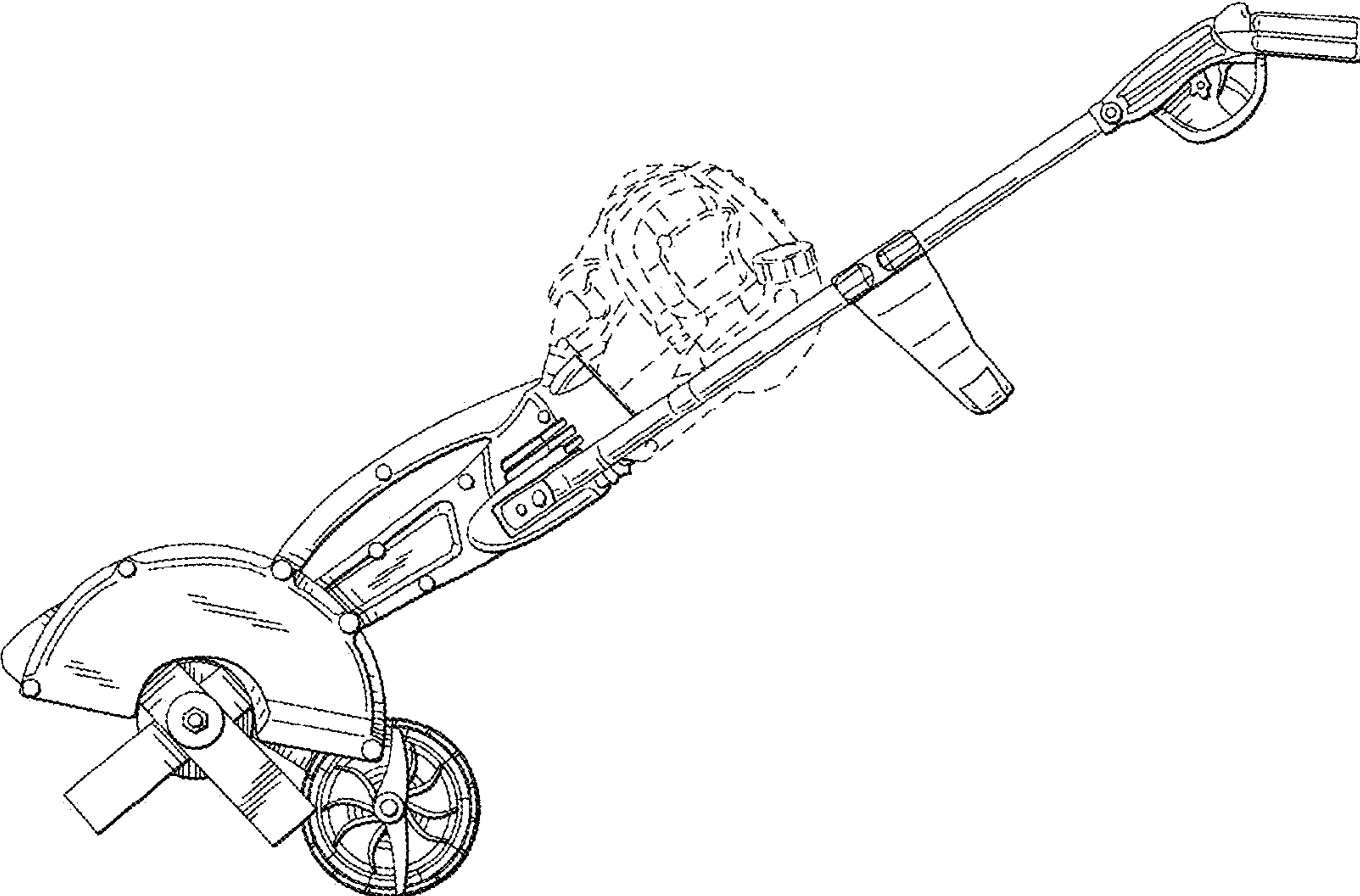


Fig. 1

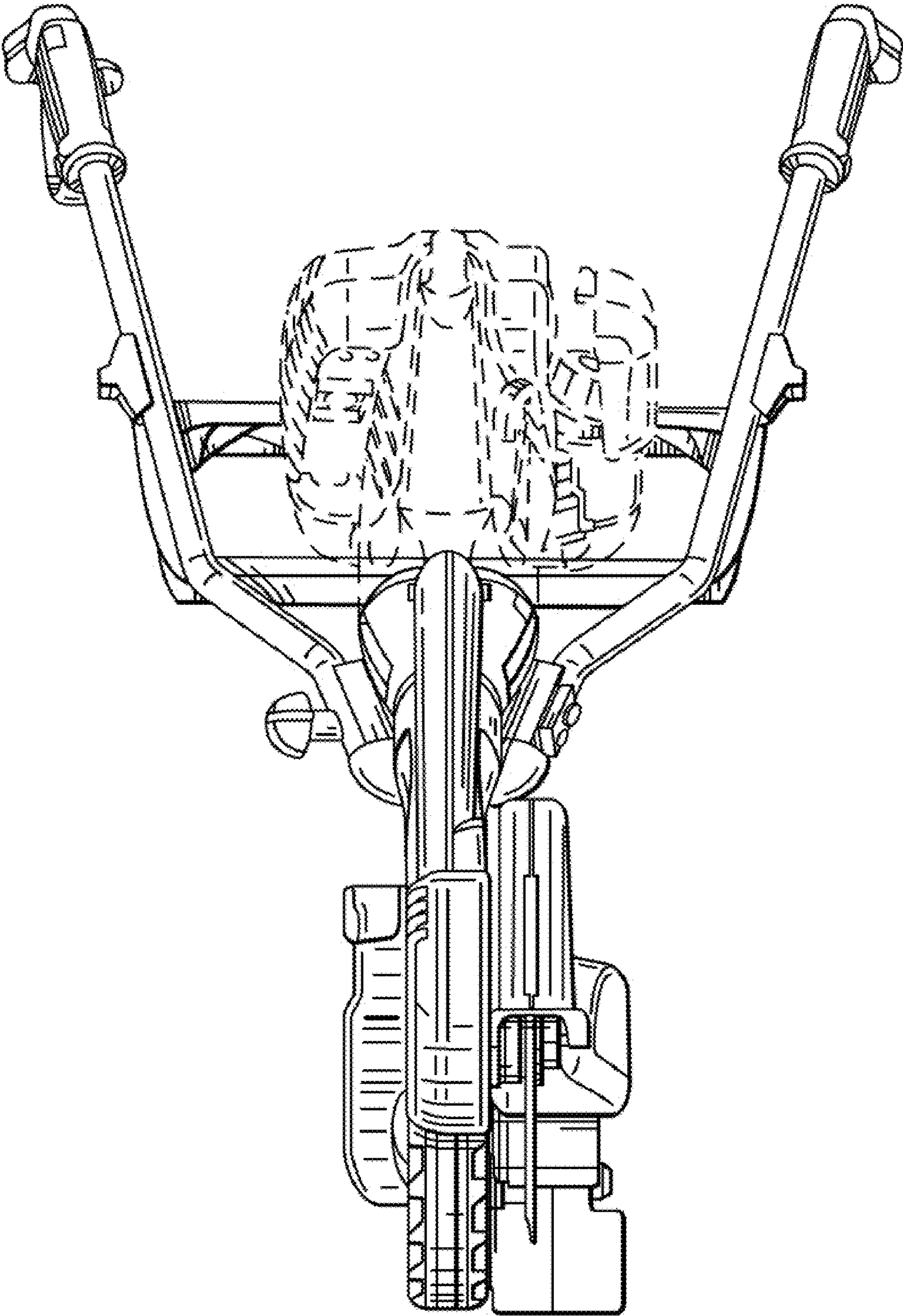


Fig. 2

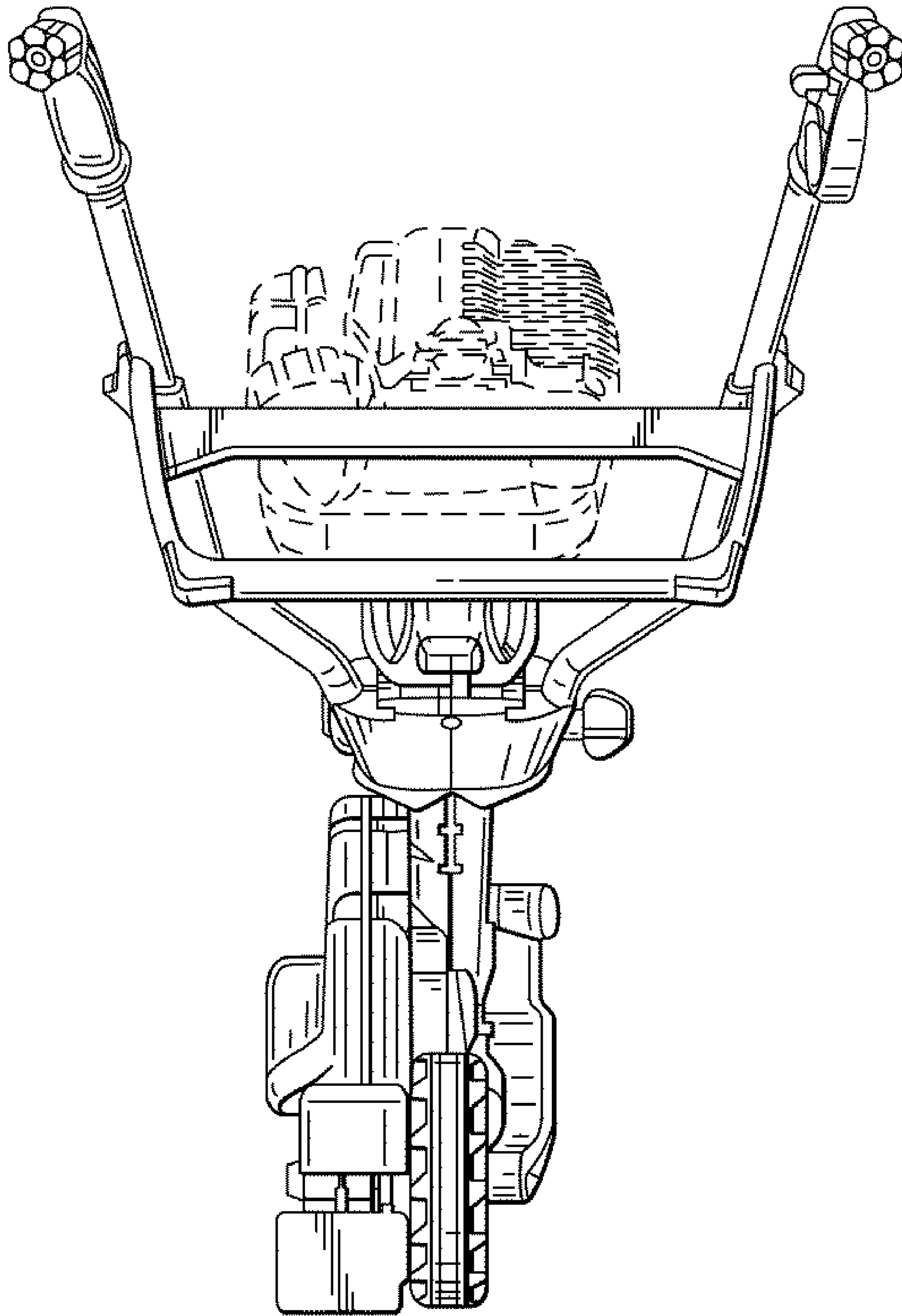


Fig. 3

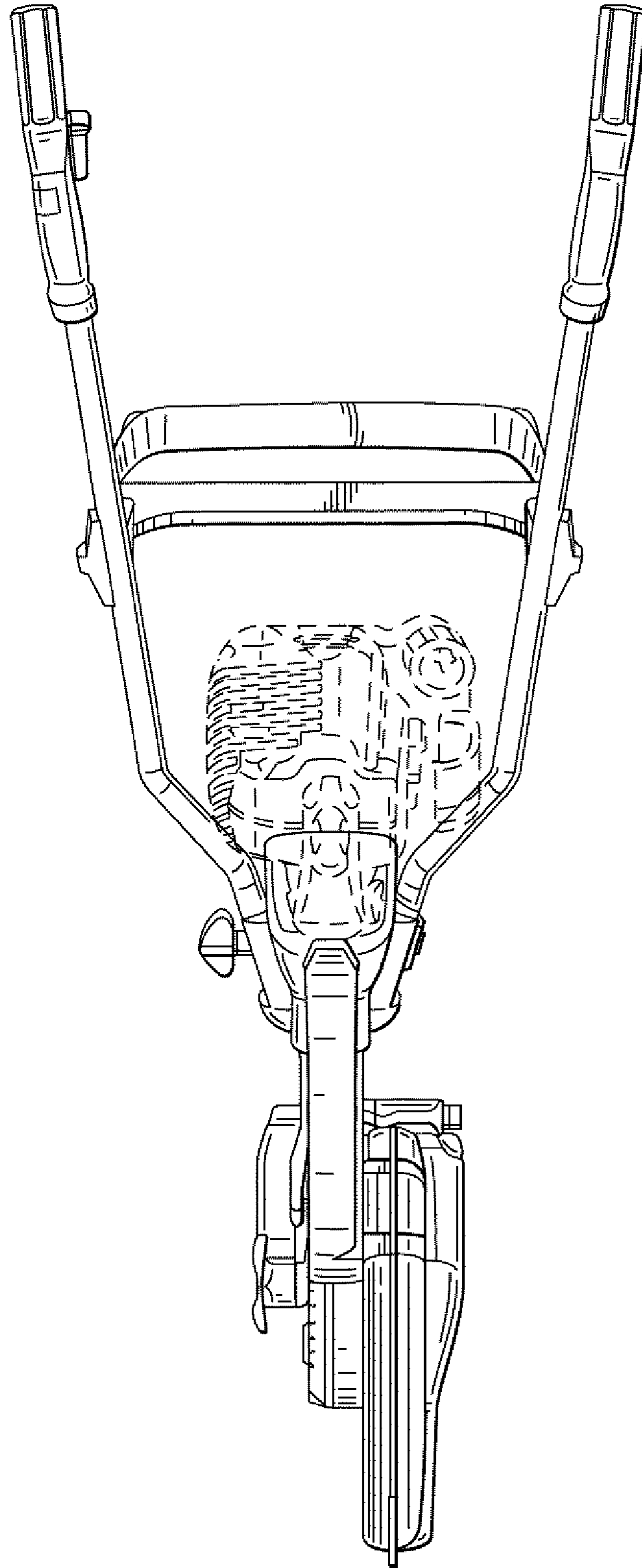


Fig. 4

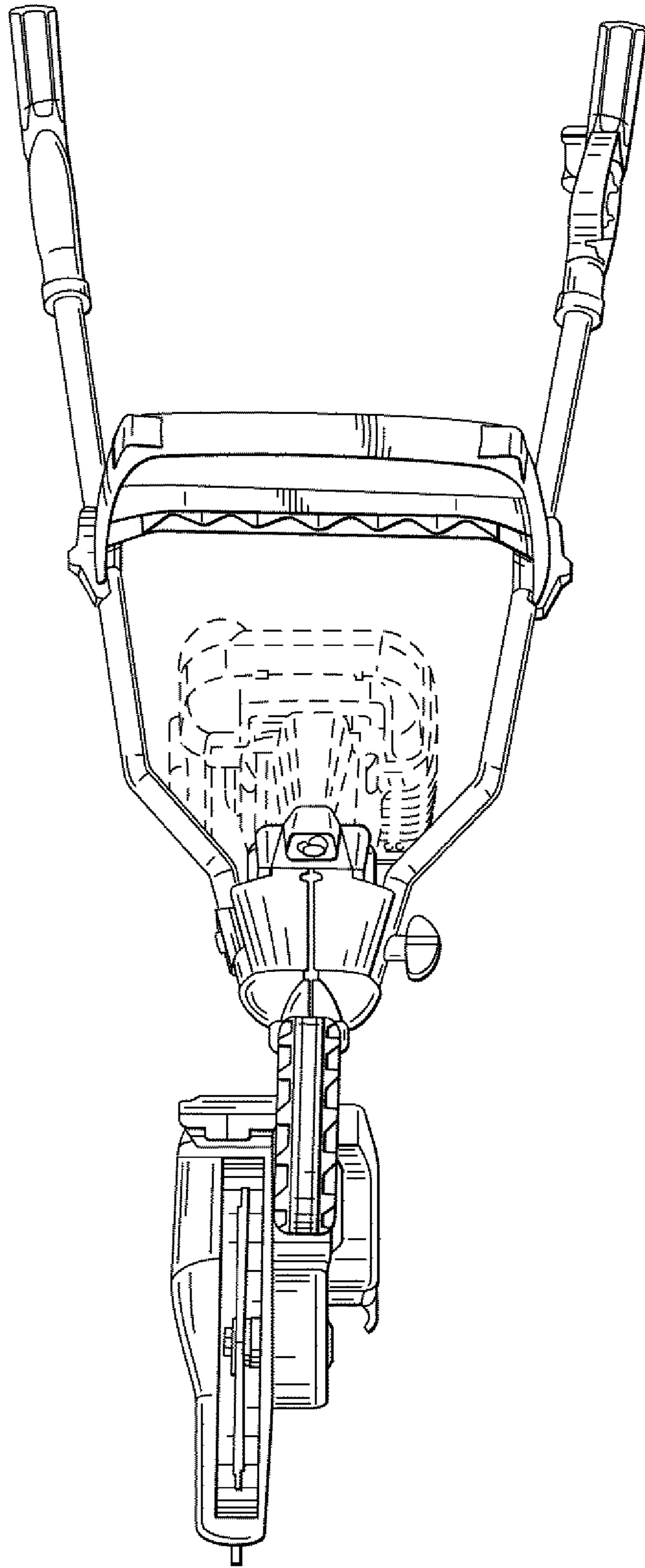


Fig. 5

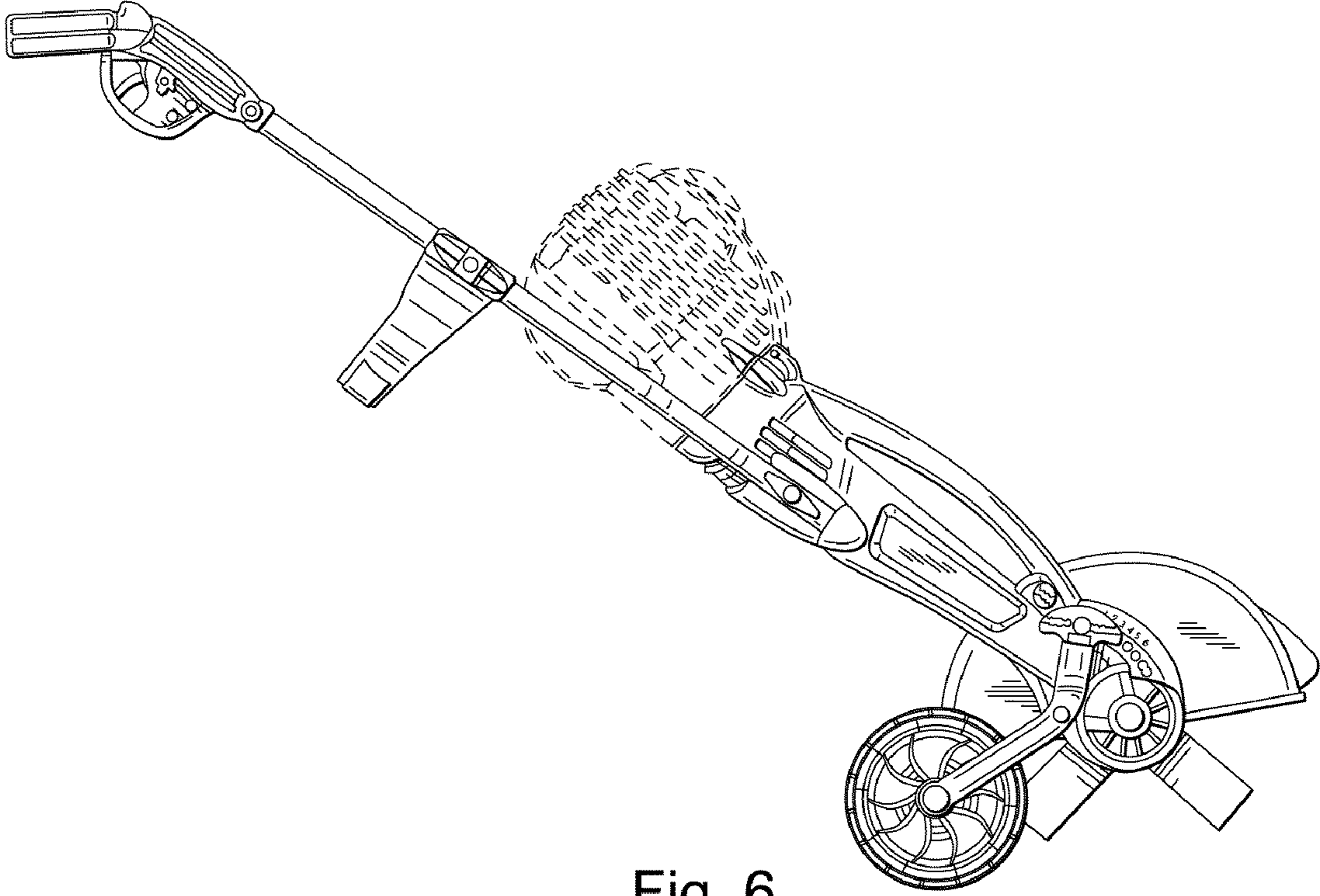


Fig. 6

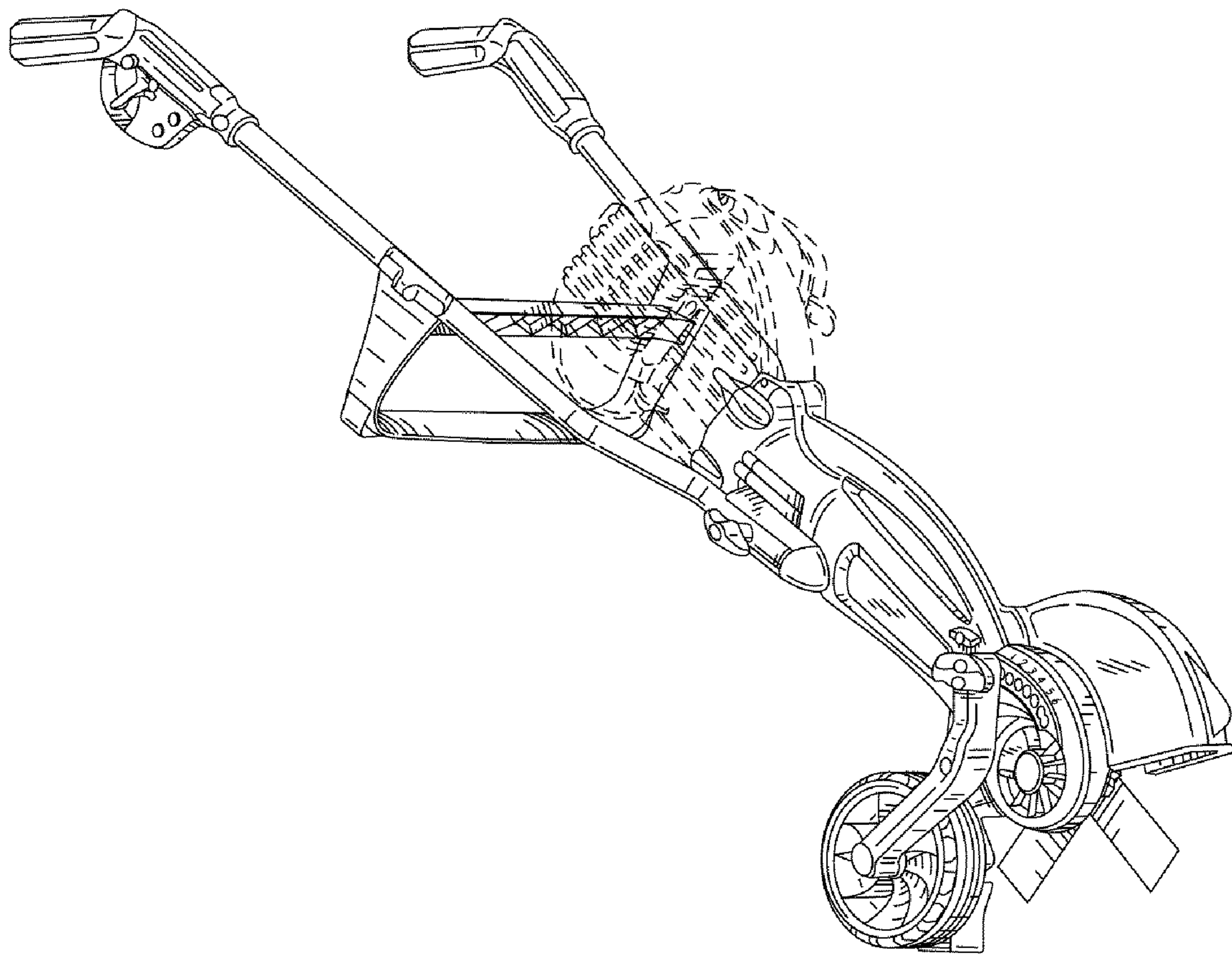


Fig. 7