



US00D632145S

(12) **United States Design Patent**
Tiemann

(10) **Patent No.:** **US D632,145 S**
(45) **Date of Patent:** **** Feb. 8, 2011**

(54) **RACK FOR SINGLE CUP BEVERAGE CONTAINERS**

D483,233 S * 12/2003 Chen D7/704
D547,138 S * 7/2007 Goodman et al. D7/704
D592,468 S * 5/2009 Goodman et al. D7/704

(75) Inventor: **Frank R. Tiemann**, Madison Lake, MN (US)

* cited by examiner

(73) Assignee: **Nifty Home Products, Inc.**, Madison Lake, MN (US)

Primary Examiner—Charles A Rademaker

Assistant Examiner—Carissa C Fitts

(74) *Attorney, Agent, or Firm*—Thomas J. Nikolai; Nikolai & Mersereau, P.A.

(**) Term: **14 Years**

(21) Appl. No.: **29/333,522**

(57) **CLAIM**

(22) Filed: **Mar. 11, 2009**

The ornamental design for a “rack for single cup beverage containers,” as shown and described.

(51) **LOC (9) Cl.** **07-06**

(52) **U.S. Cl.** **D7/704**

(58) **Field of Classification Search** D7/701,
D7/704, 708; D6/566, 569, 572; 211/74,
211/75, 86

See application file for complete search history.

DESCRIPTION

FIG. 1 is a perspective view of a rack for single cup beverage containers showing my design;

FIG. 2 is a front view thereof;

FIG. 3 is a rear view thereof;

FIG. 4 is a top plan view thereof;

FIG. 5 is a bottom plan view thereof; and,

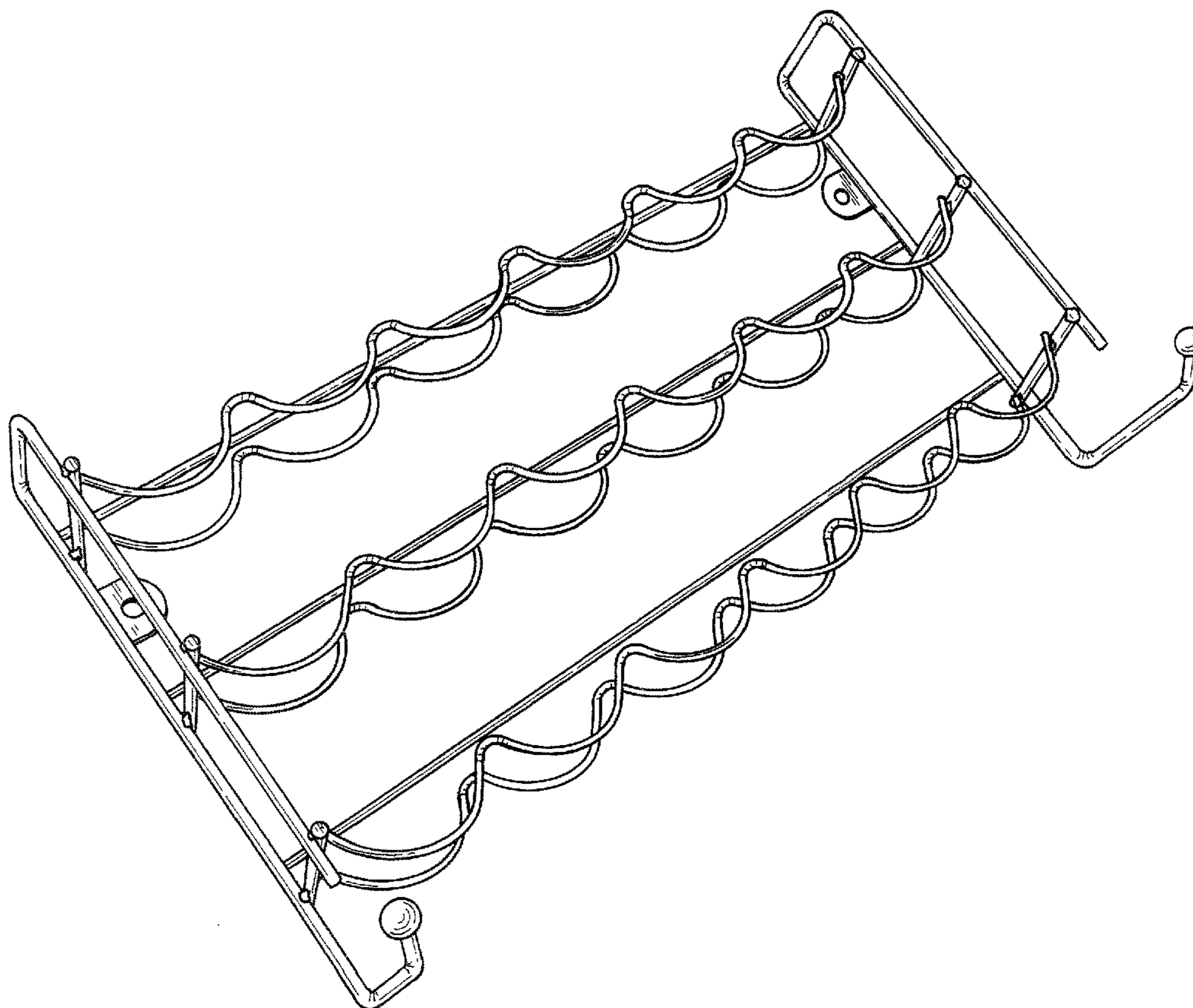
FIG. 6 is a right end view thereof wherein the left end view is identical.

(56) **References Cited**

U.S. PATENT DOCUMENTS

D243,738 S * 3/1977 Johnson D7/704
D378,888 S * 4/1997 Bertilsson D7/704
D409,056 S * 5/1999 Olson et al. D7/704

1 Claim, 6 Drawing Sheets



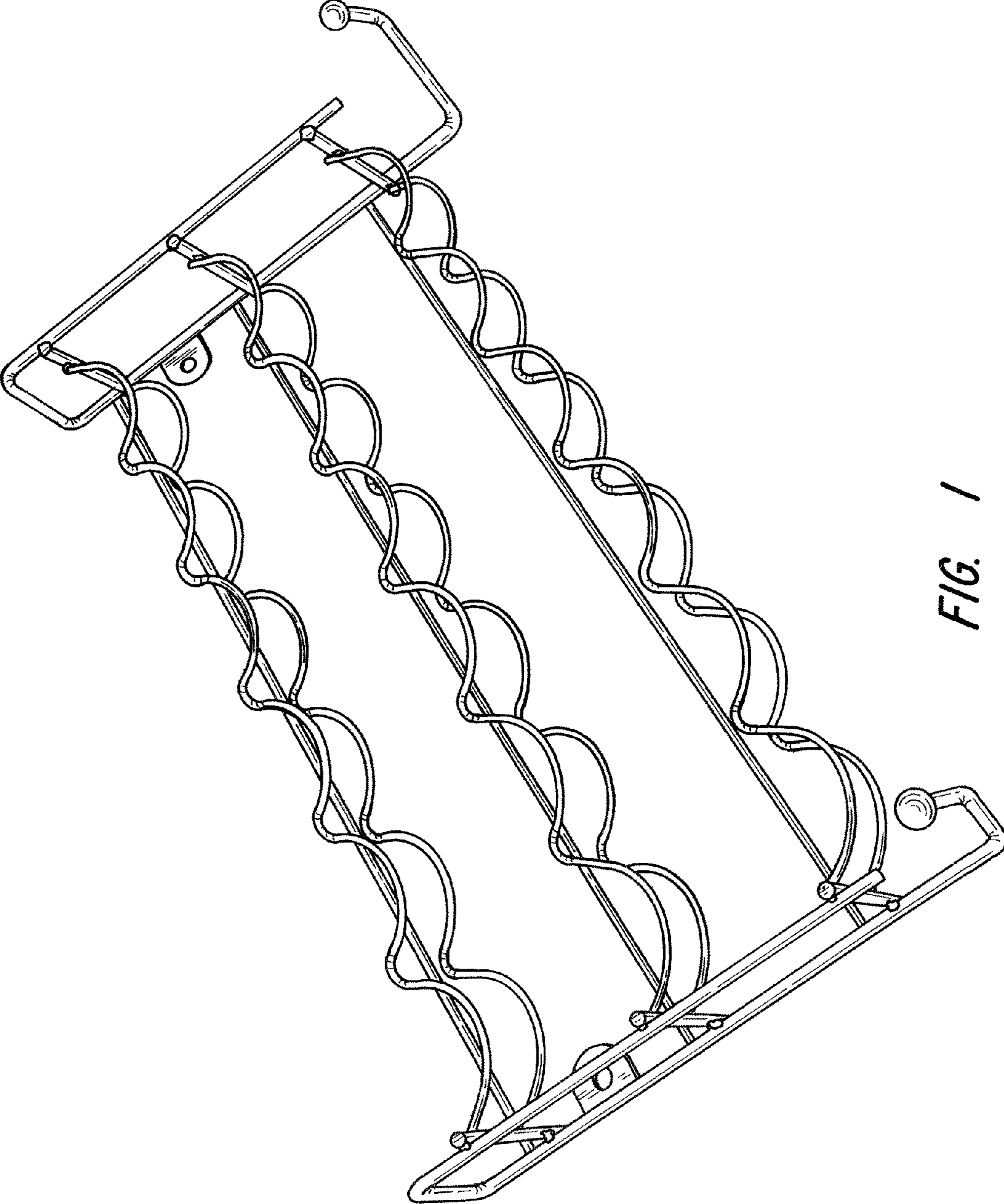


FIG. 1

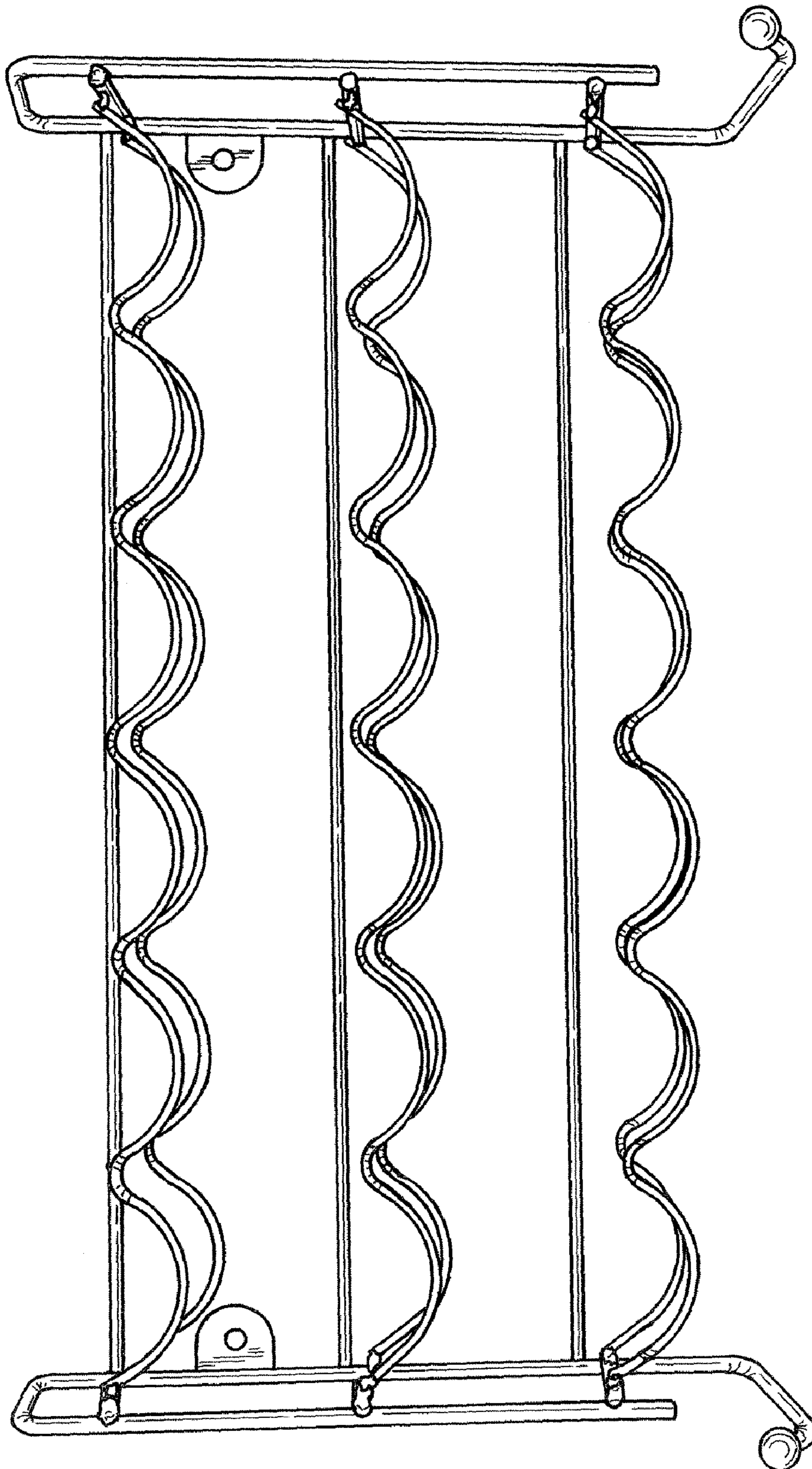


FIG. 2

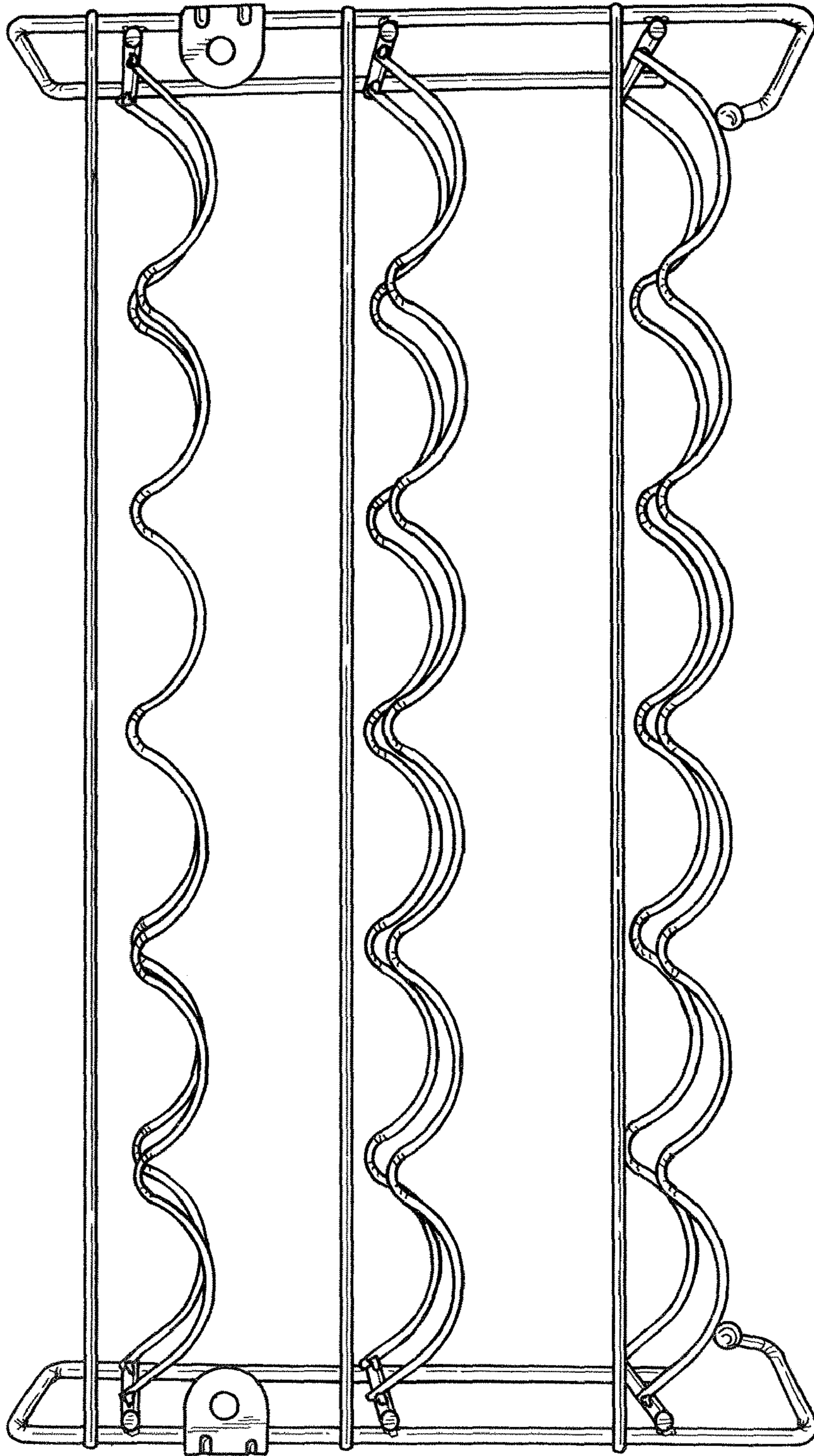


FIG. 3

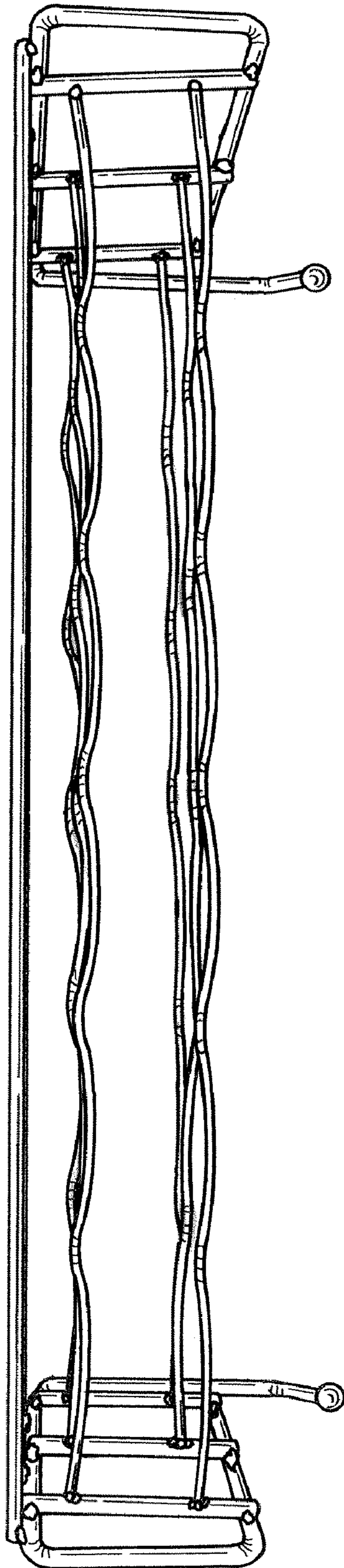


FIG. 4

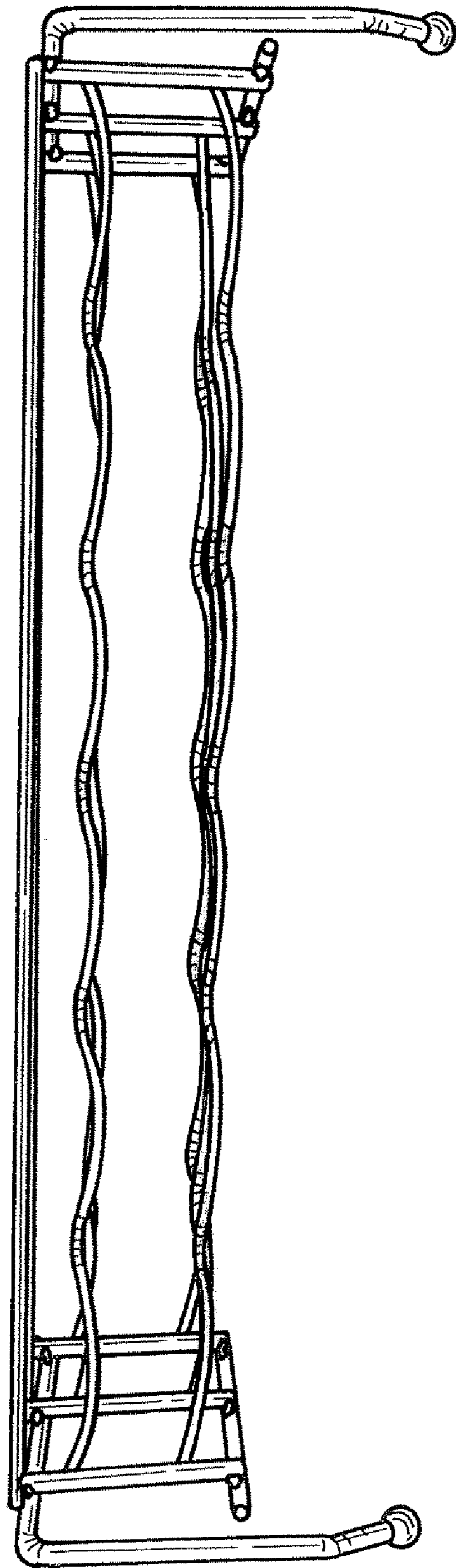


FIG. 5

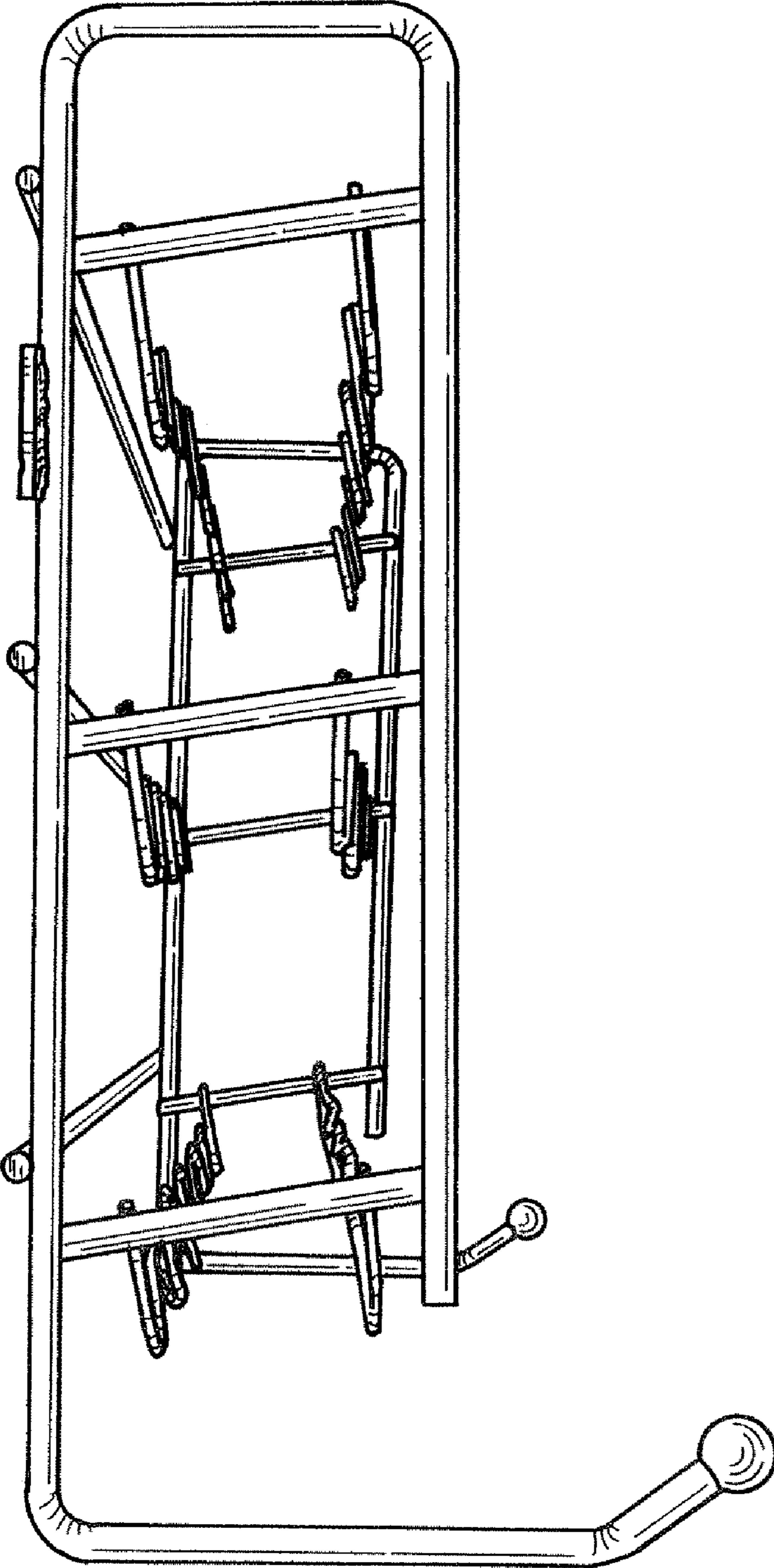


FIG. 6