



US00D632144S

(12) **United States Design Patent**  
**Weisenbach**

(10) **Patent No.:** **US D632,144 S**

(45) **Date of Patent:** **\*\* Feb. 8, 2011**

(54) **SPOUT**

D496,216 S \* 9/2004 Morgan ..... D7/368  
D543,799 S \* 6/2007 Hood et al. .... D7/691

(75) Inventor: **Daniel G. Weisenbach**, Columbus, OH  
(US)

\* cited by examiner

(73) Assignee: **Weisenbach Specialty Printing, Inc.**,  
Columbus, OH (US)

*Primary Examiner*—Terry A Wallace

(\*\*) Term: **14 Years**

(57) **CLAIM**

(21) Appl. No.: **29/350,599**

The ornamental design for a spout, as shown and described.

(22) Filed: **Nov. 19, 2009**

**DESCRIPTION**

(51) **LOC (9) Cl.** ..... **07-99**

FIG. 1 is a perspective view of a spout. The spout may be removably attached to a bottle or other container. One example of the spout (e.g. bottle spout) is a funnel (e.g. a bottle funnel).

(52) **U.S. Cl.** ..... **D7/700**

(58) **Field of Classification Search** ..... D7/700,  
D7/368, 669; D23/200; 141/95, 98, 297–300,  
141/319–321, 331–345

FIG. 2 is a rear view of the spout.

FIG. 3 is a front view of the spout.

See application file for complete search history.

FIG. 4 is a right side view of the spout.

FIG. 5 is a left side view of the spout.

(56) **References Cited**

**U.S. PATENT DOCUMENTS**

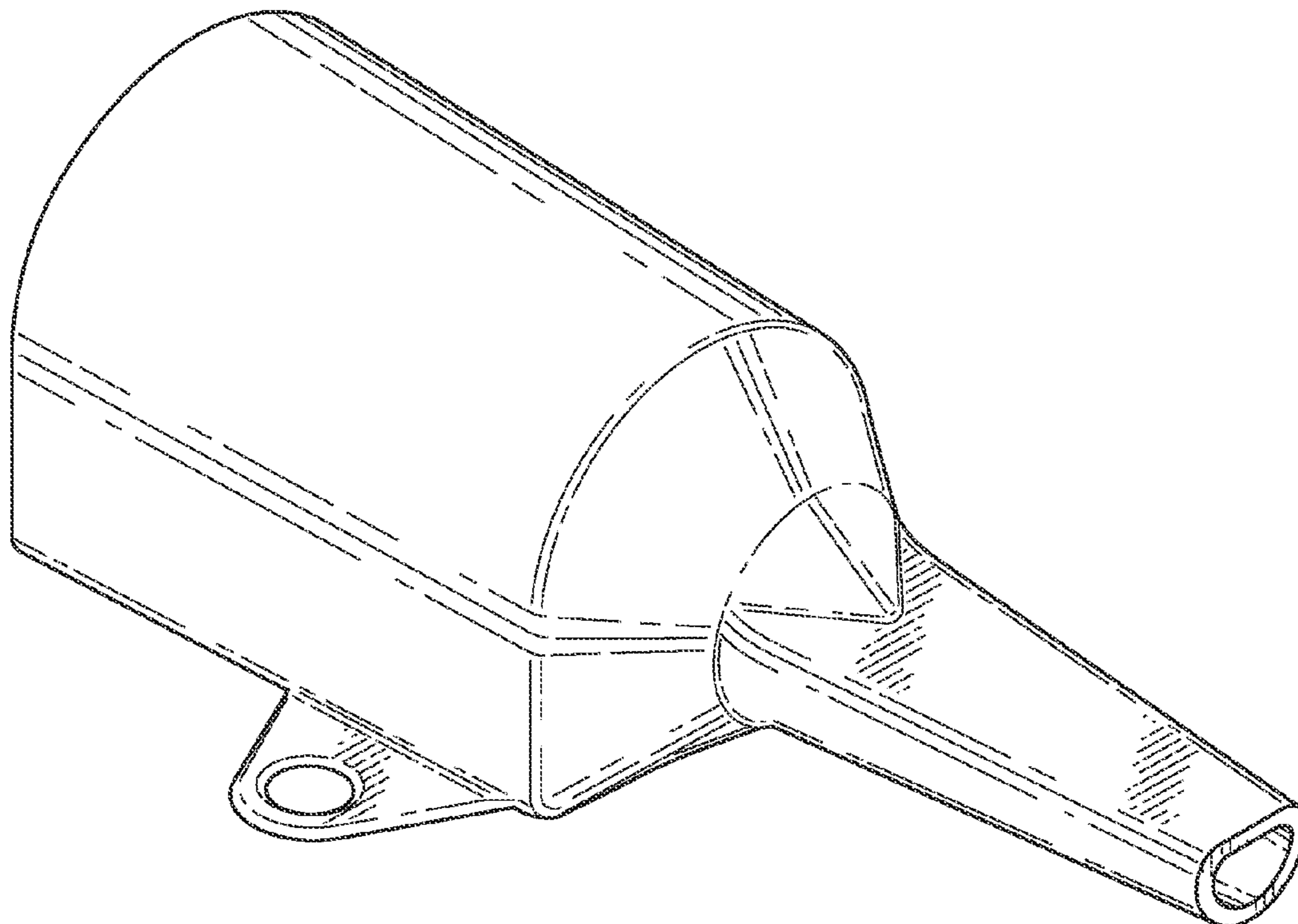
2,794,457 A \* 6/1957 Nicodemus ..... 141/344  
D230,629 S 3/1974 Camp et al.  
D363,008 S \* 10/1995 Pearson ..... D7/691  
D383,043 S \* 9/1997 Harris ..... D7/700  
D404,979 S \* 2/1999 Harman et al. .... D7/700  
D415,662 S \* 10/1999 Schneider ..... D7/700

FIG. 6 is a bottom plan top view of the spout; and,

FIG. 7 is a top plan view of the spout.

The features shown in broken lines in the various figures are for illustrating environmental structure and form no part of the claimed design.

**1 Claim, 4 Drawing Sheets**



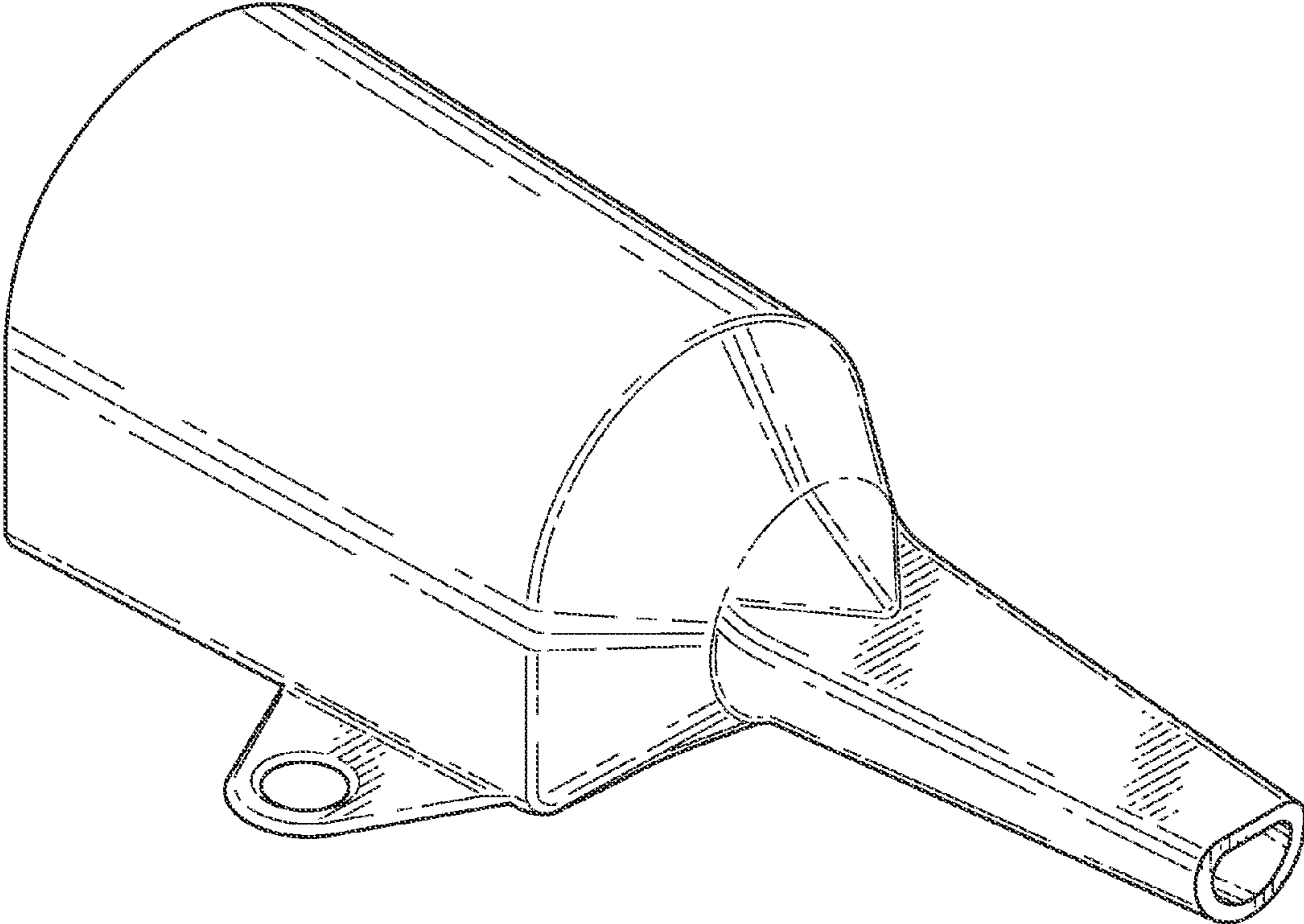


FIG. 1

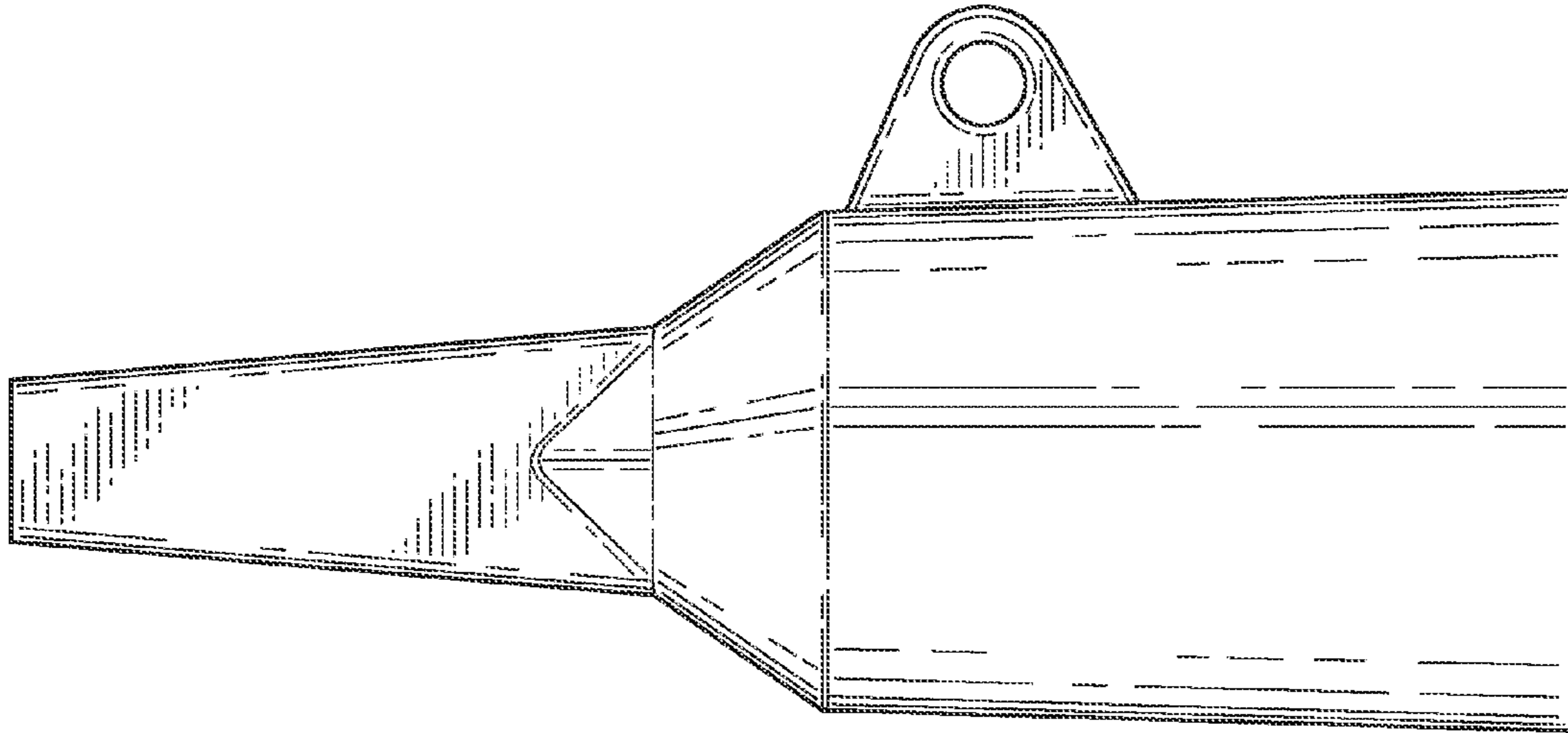


FIG. 2

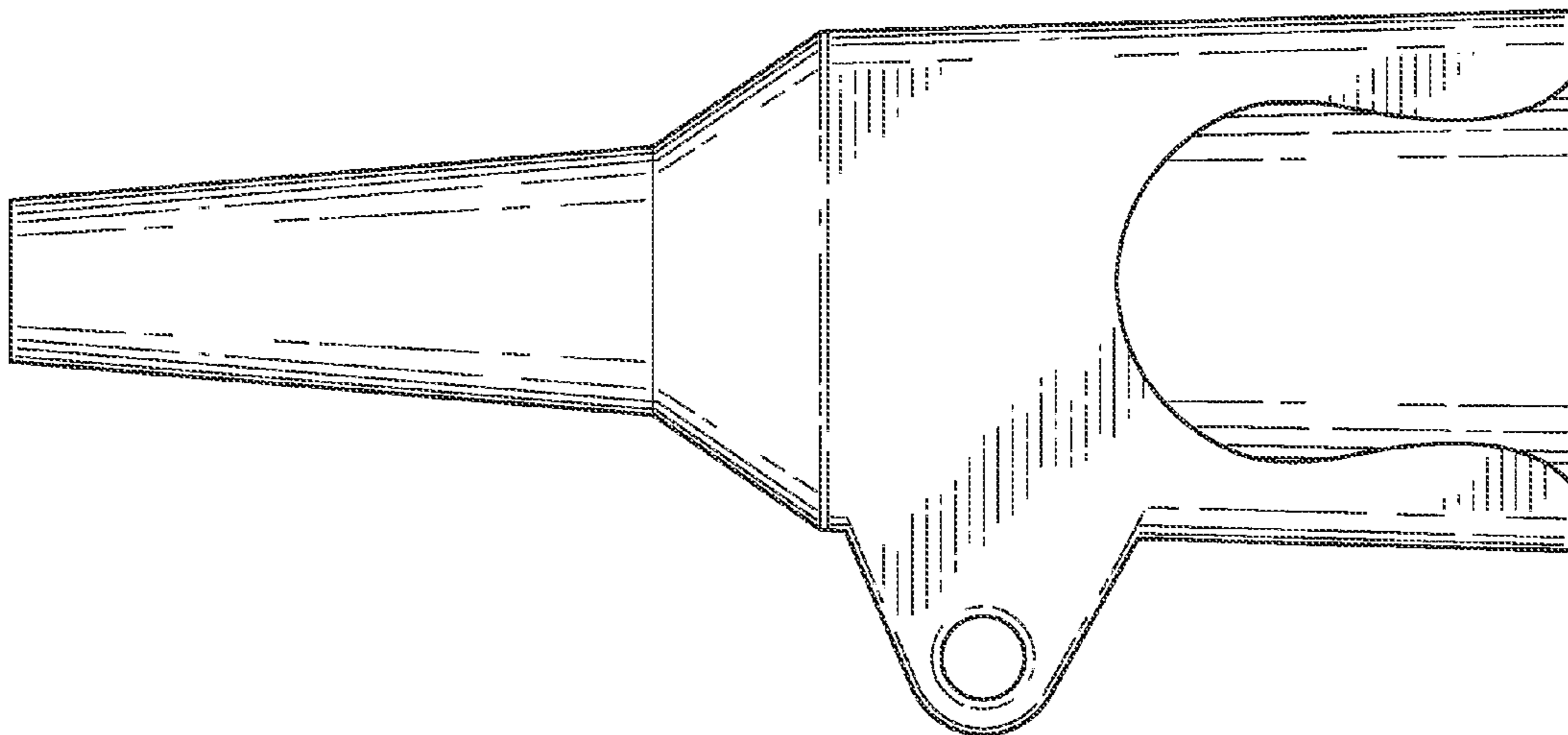


FIG. 3

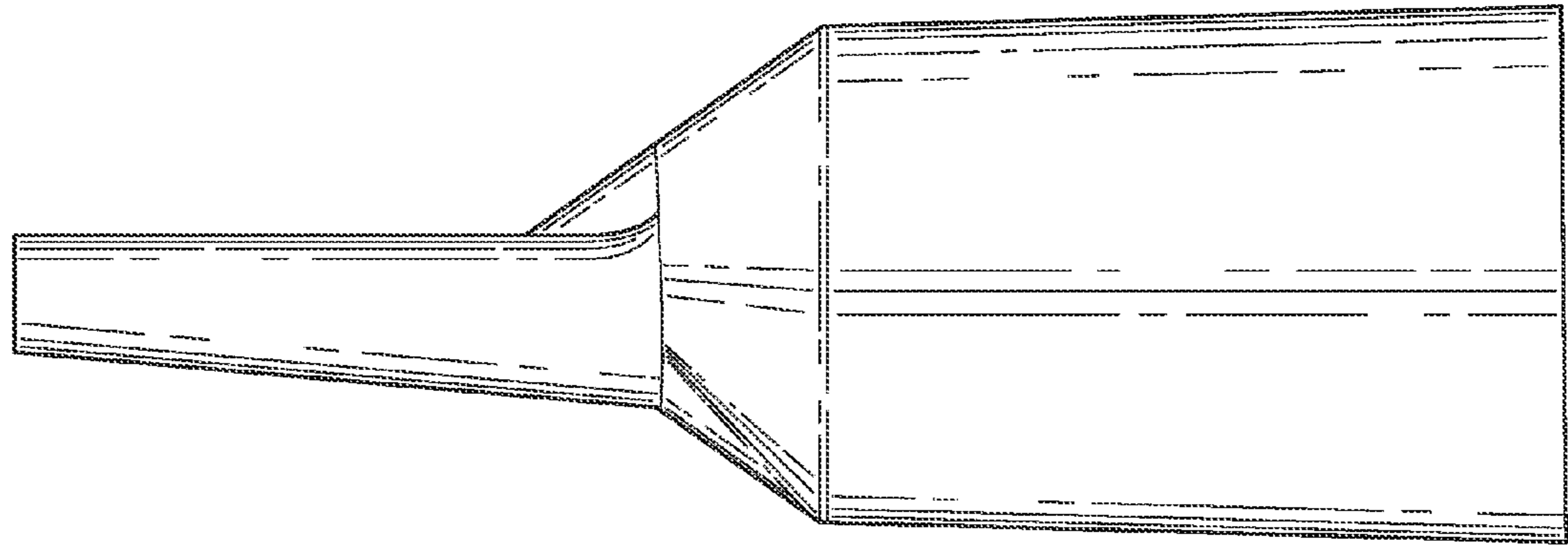


FIG. 4

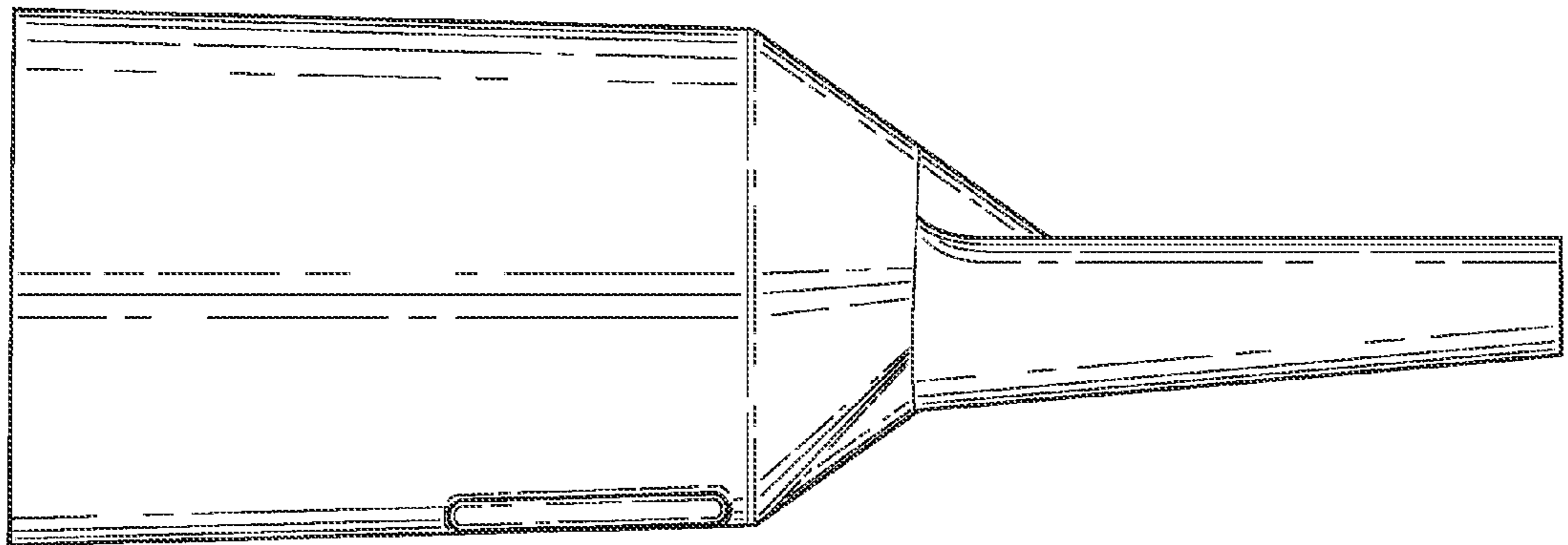


FIG. 5



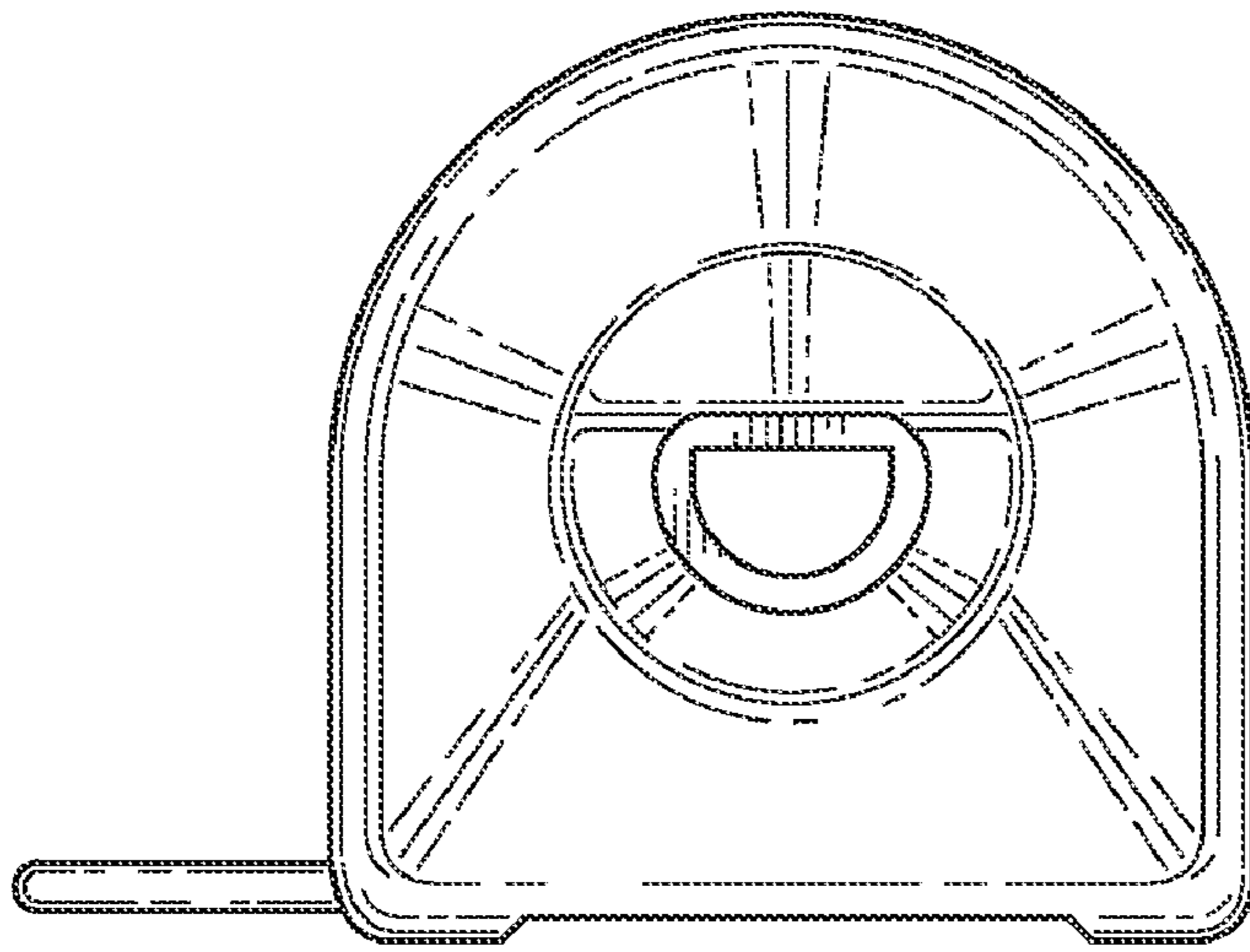


FIG. 6

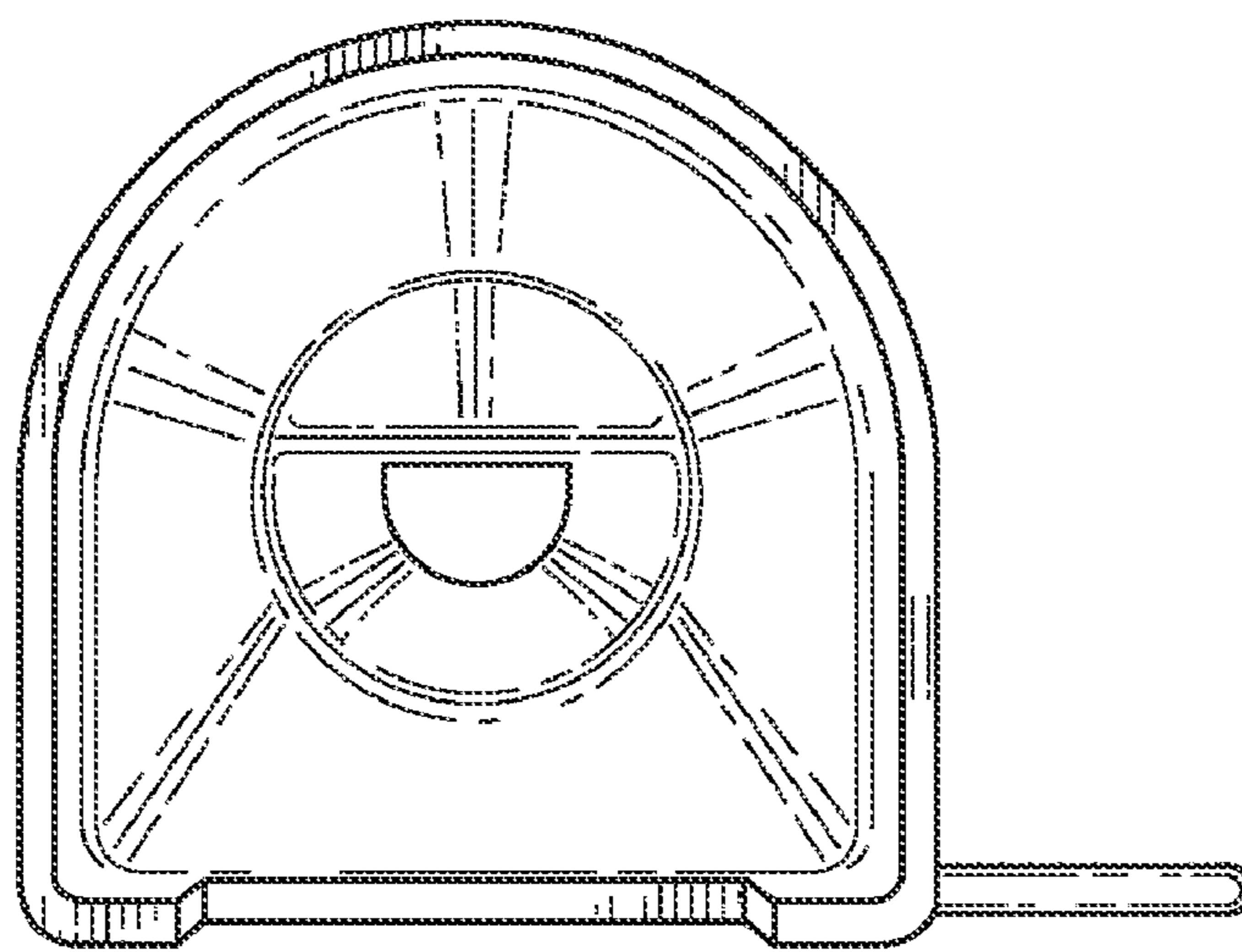


FIG. 7