



US00D632143S

(12) **United States Design Patent**  
**Geborek**

(10) **Patent No.:** **US D632,143 S**

(45) **Date of Patent:** **\*\* Feb. 8, 2011**

(54) **SPATULA**

(76) **Inventor:** **David Geborek**, 1631 Wood St., Round Lake Beach, IL (US) 60073

(\*\*) **Term:** **14 Years**

(21) **Appl. No.:** **29/348,719**

(22) **Filed:** **Jan. 29, 2010**

(51) **LOC (9) Cl.** ..... **07-04**

(52) **U.S. Cl.** ..... **D7/692; D7/688**

(58) **Field of Classification Search** ..... D7/680–696,  
D7/393, 395; D32/40, 46; 294/1.1, 7, 8;  
30/324–328

See application file for complete search history.

(56) **References Cited**

**U.S. PATENT DOCUMENTS**

3,877,143	A *	4/1975	Montesi	.....	294/7
3,906,632	A *	9/1975	Oppenheimer	.....	294/7
4,114,265	A *	9/1978	Bailey	.....	30/122
D302,776	S *	8/1989	Hiscott et al.	.....	D7/692
5,014,434	A *	5/1991	Skerker et al.	.....	294/7
D345,887	S *	4/1994	Heiberg	.....	D7/688

D388,289	S *	12/1997	Denison et al.	.....	D7/692
D456,223	S *	4/2002	Rowe et al.	.....	D7/692
D459,163	S *	6/2002	Rowe et al.	.....	D7/692
D545,151	S *	6/2007	Lion et al.	.....	D7/691

\* cited by examiner

*Primary Examiner*—Terry A Wallace

(74) *Attorney, Agent, or Firm*—Jon Carl Gealow

(57) **CLAIM**

The ornamental design for a spatula, as shown and described.

**DESCRIPTION**

FIG. 1 is a front top perspective view of a spatula, showing my new design;

FIG. 2 is a back top perspective view thereof;

FIG. 3 is a top elevation view thereof;

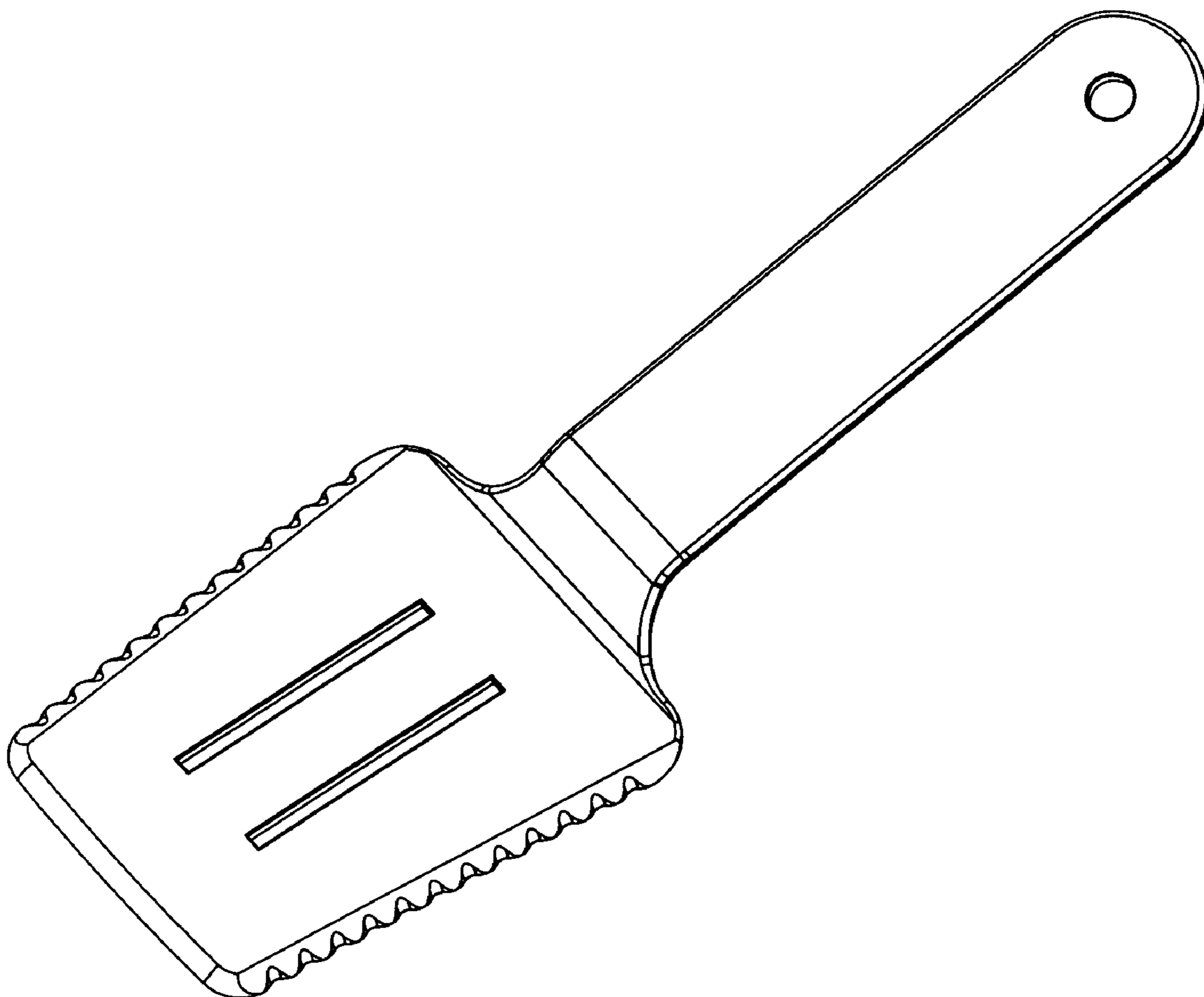
FIG. 4 is a bottom elevation view thereof;

FIG. 5 is a front elevation view thereof;

FIG. 6 is a back elevation view thereof; and,

FIG. 7 is a side elevation view thereof.

**1 Claim, 2 Drawing Sheets**



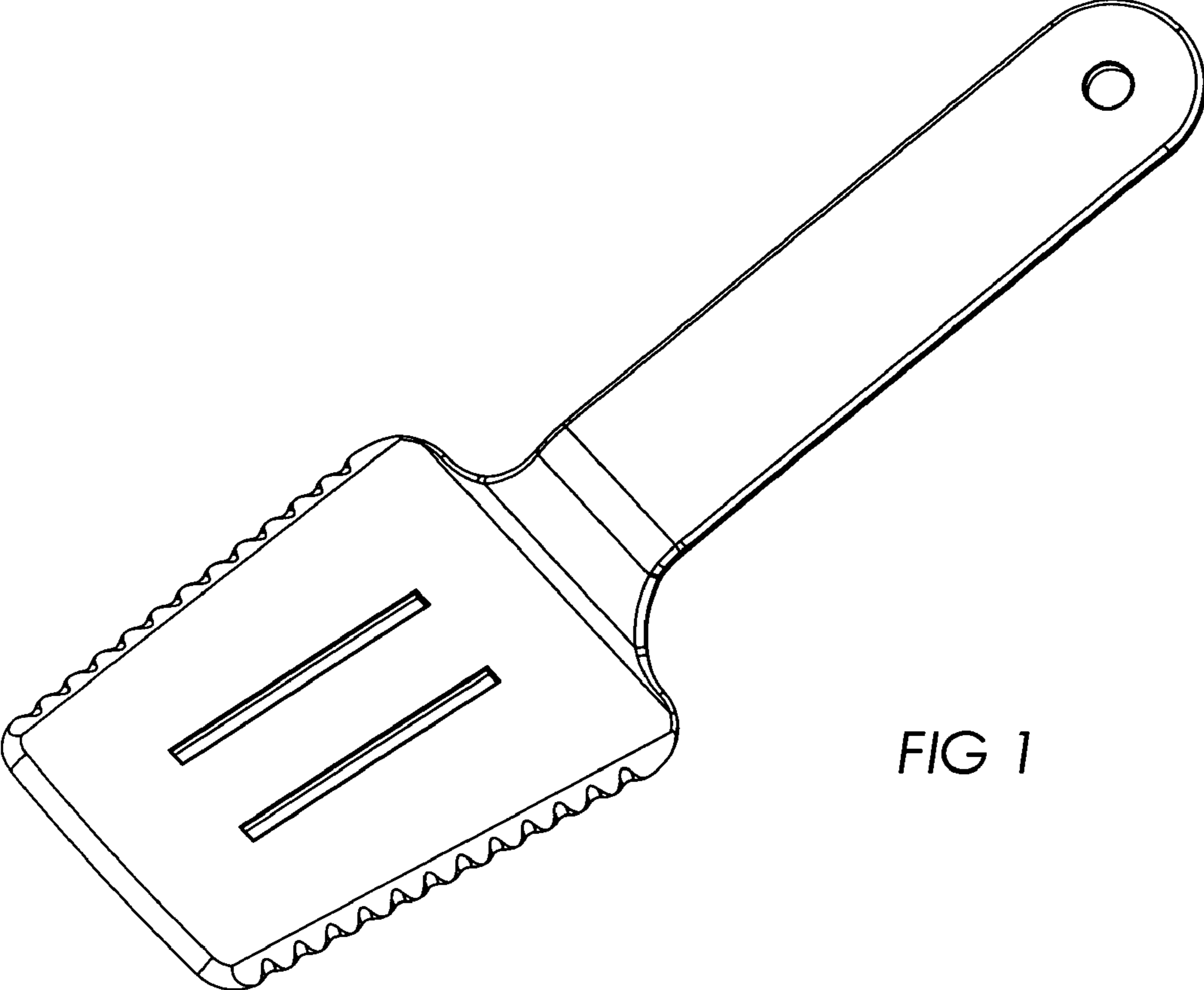


FIG 1

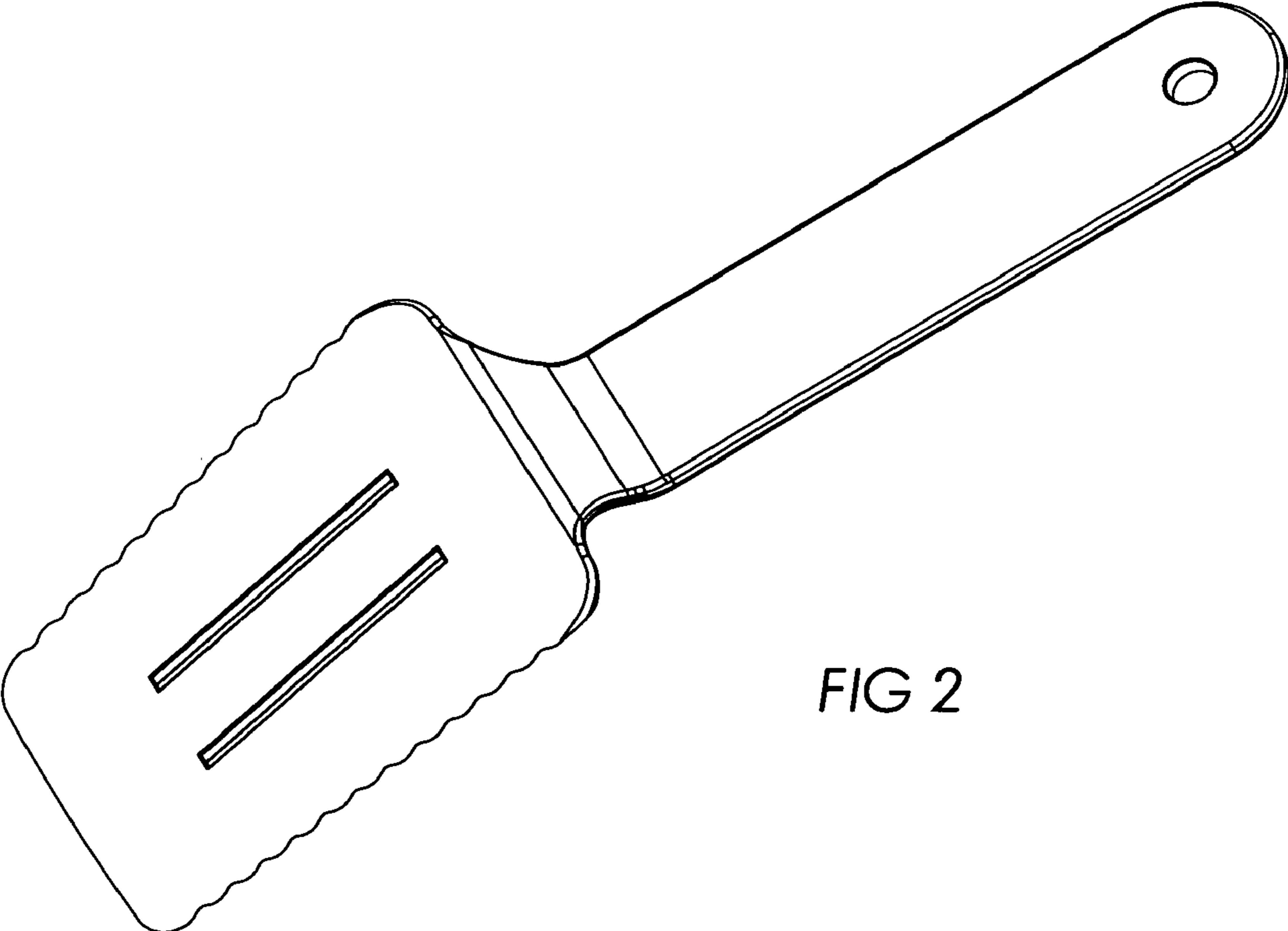


FIG 2

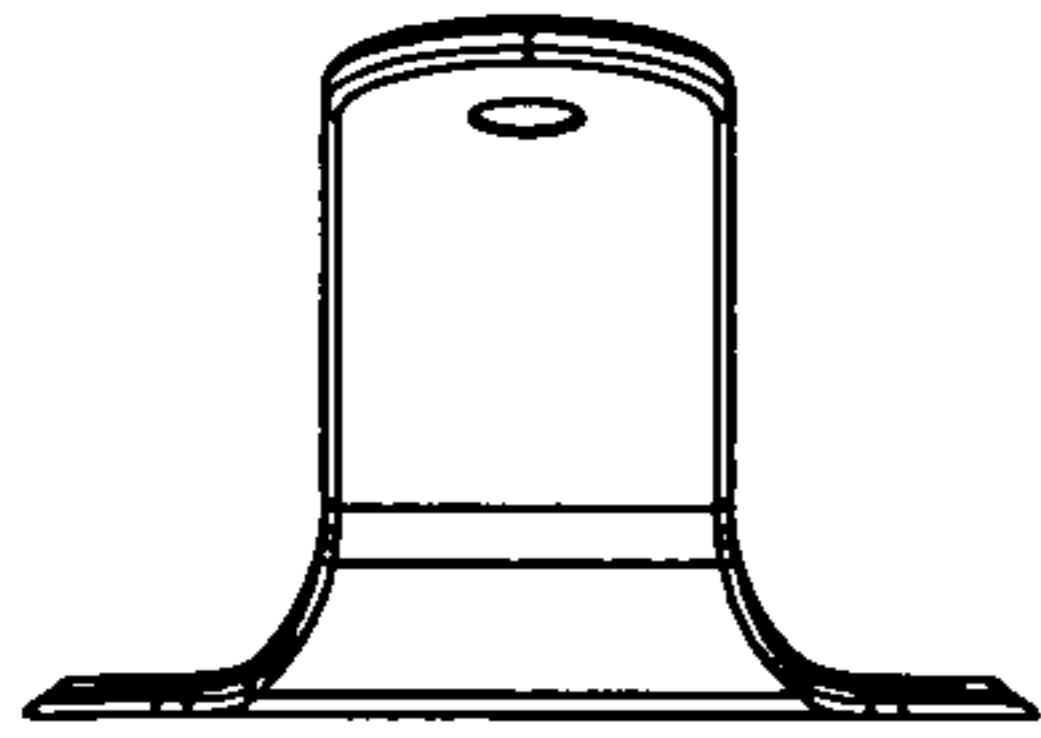


FIG 6

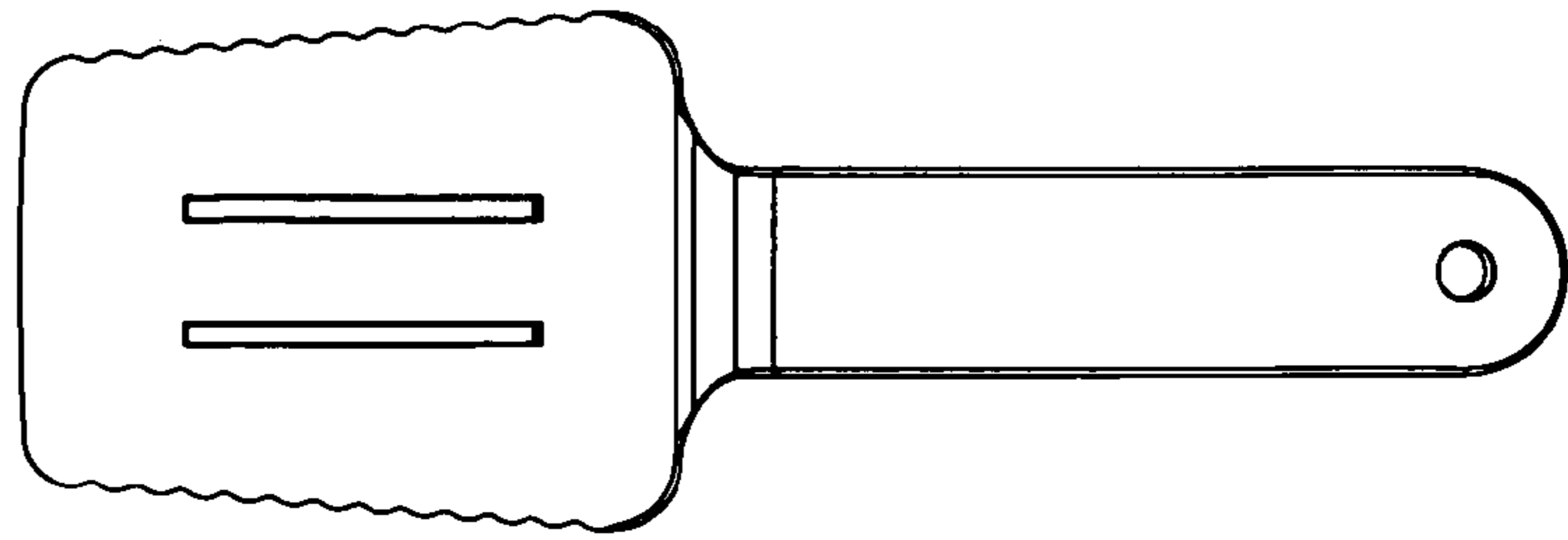


FIG 4

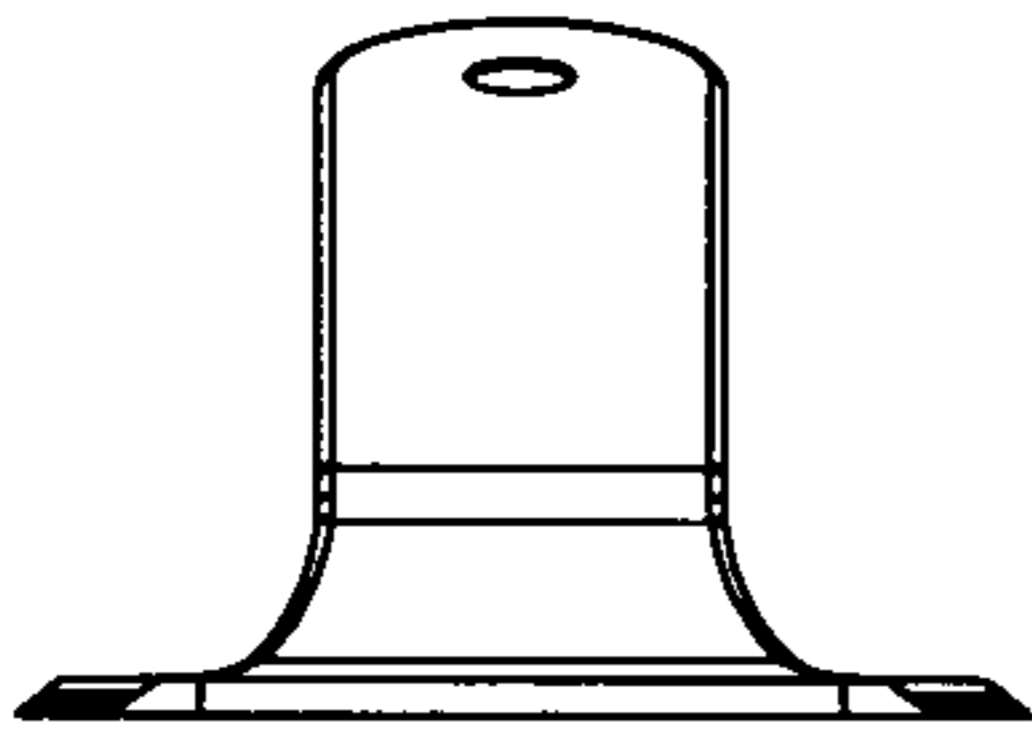


FIG 5

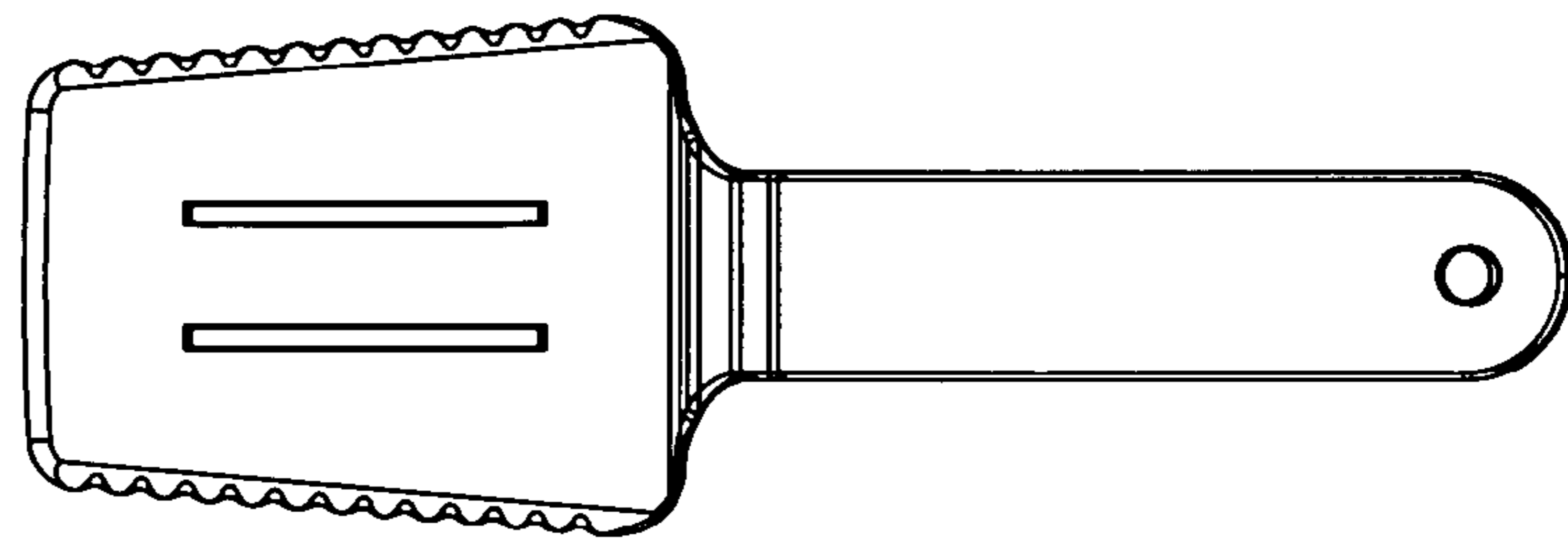


FIG 3

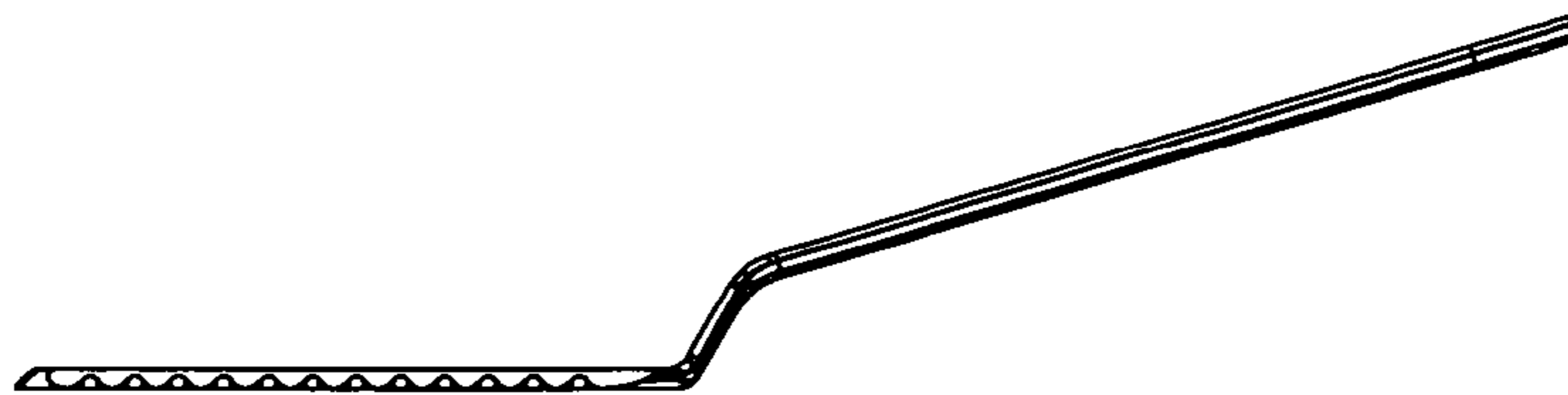


FIG 7