



US00D632139S

(12) **United States Design Patent**
Repac

(10) **Patent No.:** **US D632,139 S**

(45) **Date of Patent:** **** Feb. 8, 2011**

(54) **KITCHEN UTENSIL**

(76) **Inventor:** **Cedomir Repac**, Fliederweg 24,
Brechen (DE) D-65611

(**) **Term:** **14 Years**

(21) **Appl. No.:** **29/351,733**

(22) **Filed:** **Dec. 10, 2009**

(30) **Foreign Application Priority Data**

Jun. 10, 2009 (EM) 001543356

(51) **LOC (9) Cl.** **07-04**

(52) **U.S. Cl.** **D7/673**

(58) **Field of Classification Search** D7/672-678,
D7/381, 383, 384; 241/94, 93, 37.5, 36,
241/273.1-273.4, 100, 285.1, 283, 101.1;
220/914, 676; 83/651.1, 648, 856, 857, 932,
83/167, 13; 99/537, 588

See application file for complete search history.

(56) **References Cited**

U.S. PATENT DOCUMENTS

D320,717 S *	10/1991	O'Brien	D7/384
D368,622 S *	4/1996	Izumi	D7/384
5,692,424 A *	12/1997	Wallace	83/167
5,765,472 A *	6/1998	Kim	99/537
5,947,016 A	9/1999	Repac et al.		
D416,767 S	11/1999	Repac et al.		
D420,547 S *	2/2000	Lallemand	D7/384
6,129,234 A	10/2000	Culig et al.		
6,209,439 B1	4/2001	Repac et al.		
6,401,605 B1	6/2002	Repac et al.		
7,150,214 B2	12/2006	Repac et al.		
D543,422 S *	5/2007	Kaposi	D7/674
D576,454 S	9/2008	Repac		

7,444,909 B2	11/2008	Repac et al.		
D591,115 S	4/2009	Repac		
7,543,768 B2 *	6/2009	Cohen et al.	241/36
2005/0178262 A1	8/2005	Repac et al.		
2007/0089577 A1	4/2007	Wong		
2009/0044708 A1	2/2009	Repac et al.		
2009/0078100 A1	3/2009	Repac		

* cited by examiner

Primary Examiner—Terry A Wallace

(74) *Attorney, Agent, or Firm*—Connolly Bove Lodge & Hutz
LLP

(57) **CLAIM**

The ornamental design kitchen utensils, as shown and described.

DESCRIPTION

FIG. 1 is a left, front perspective view of a kitchen utensil showing my new design, the container is shown in broken lines for illustrative purposes only and form no part of the claimed design;

FIG. 2 is a left side elevational view of the kitchen utensil of FIG. 1, wherein the right side elevational view is a mirror image thereof;

FIG. 3 is a top plan view of the kitchen utensil of FIG. 1;

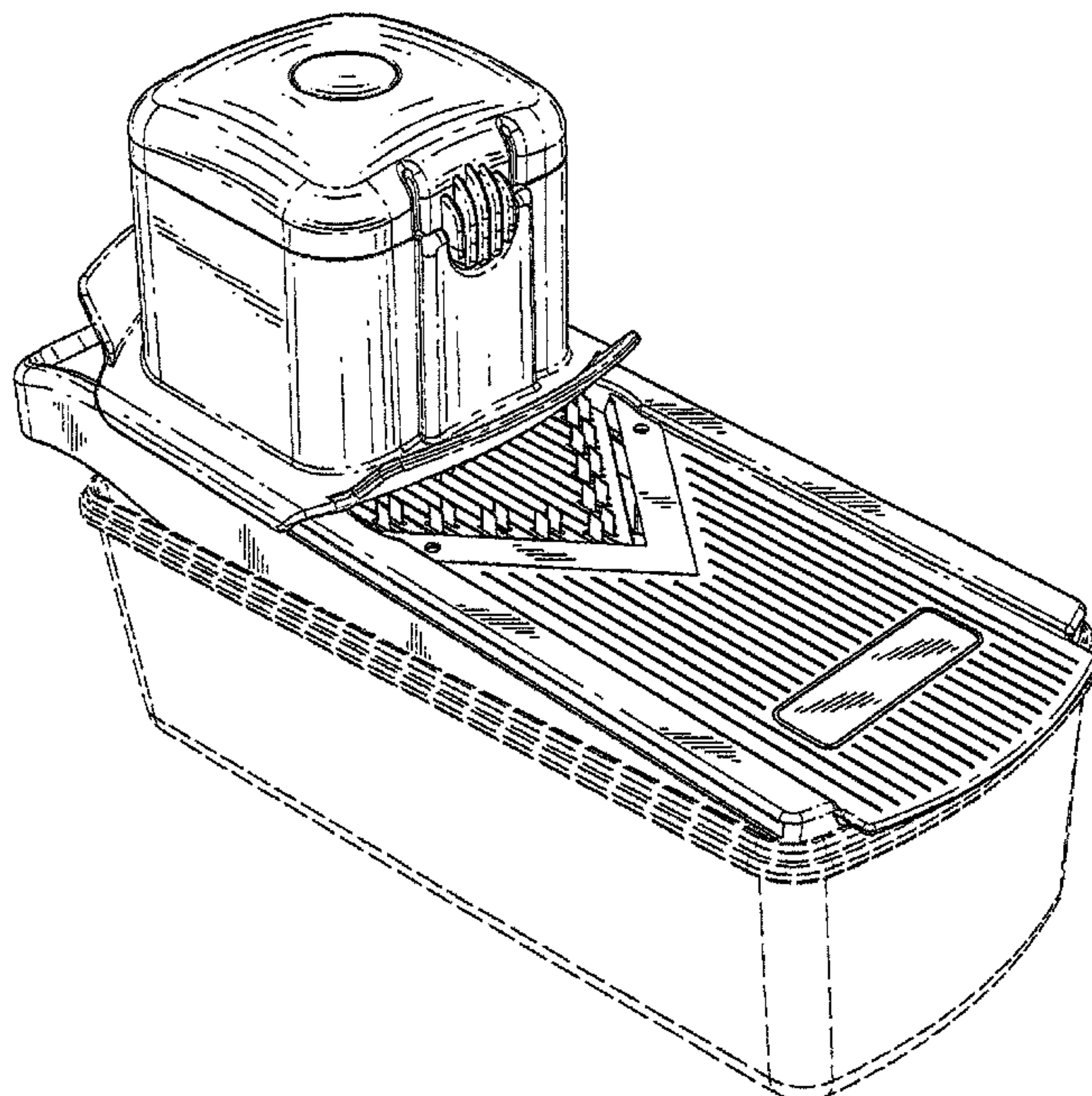
FIG. 4 is a rear elevational view of the kitchen utensil of FIG. 1;

FIG. 5 is a front elevational view of the kitchen utensil of FIG. 1; and,

FIG. 6 bottom plan view of the kitchen utensil of FIG. 1.

The broken lines contained in the Figures are for illustrative purposes only and form no part of the claimed design.

1 Claim, 5 Drawing Sheets



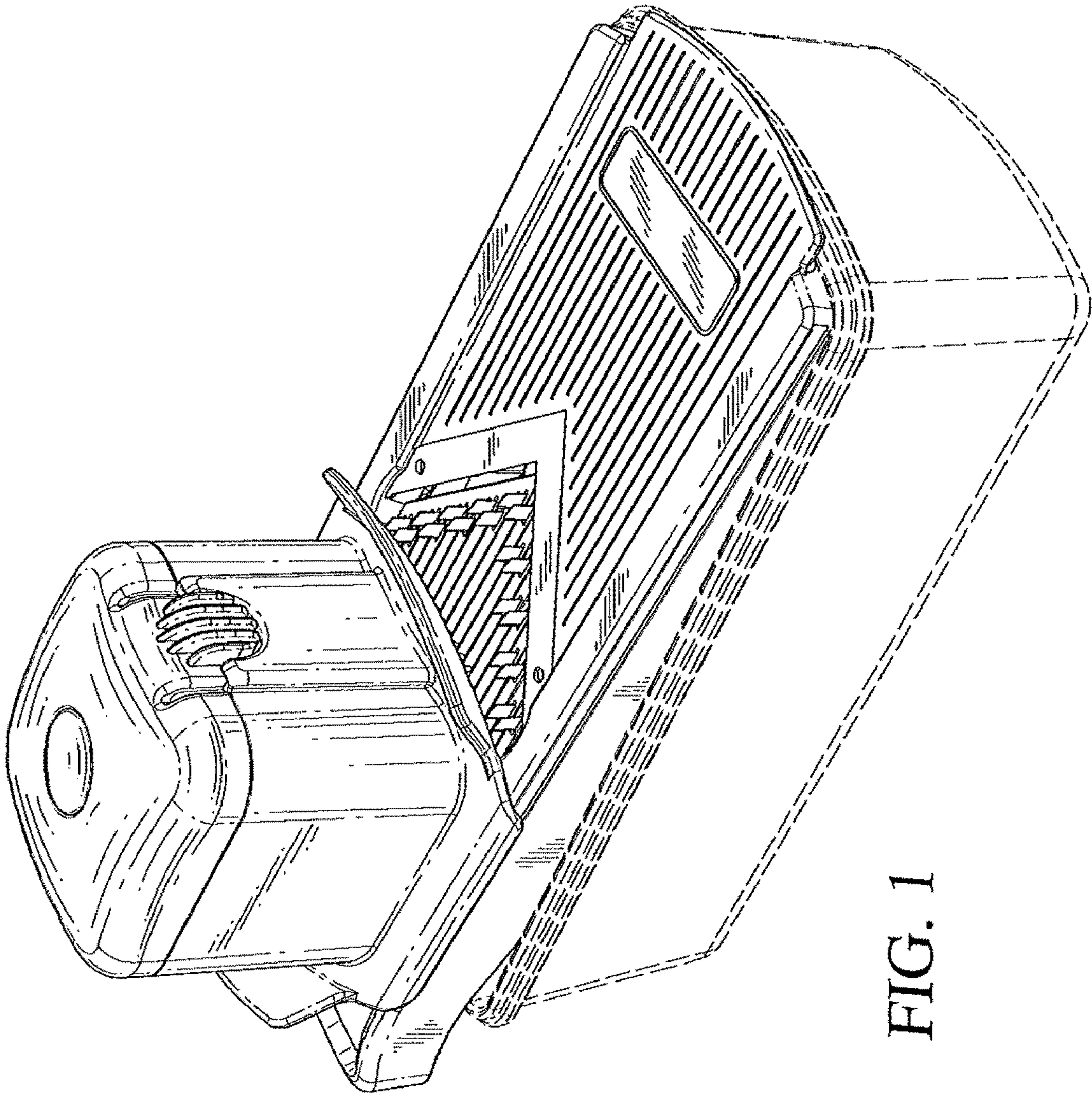


FIG. 1

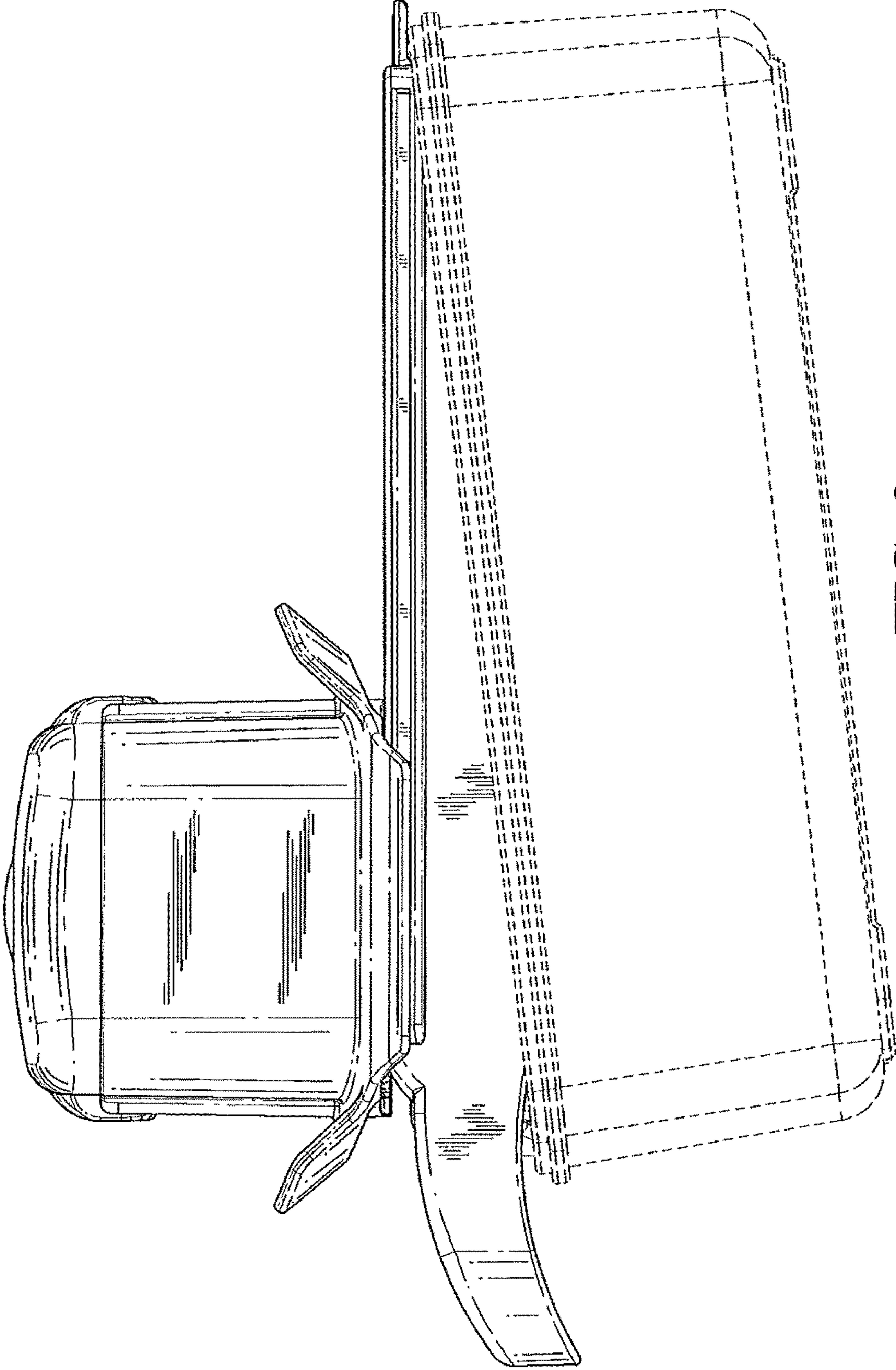


FIG. 2

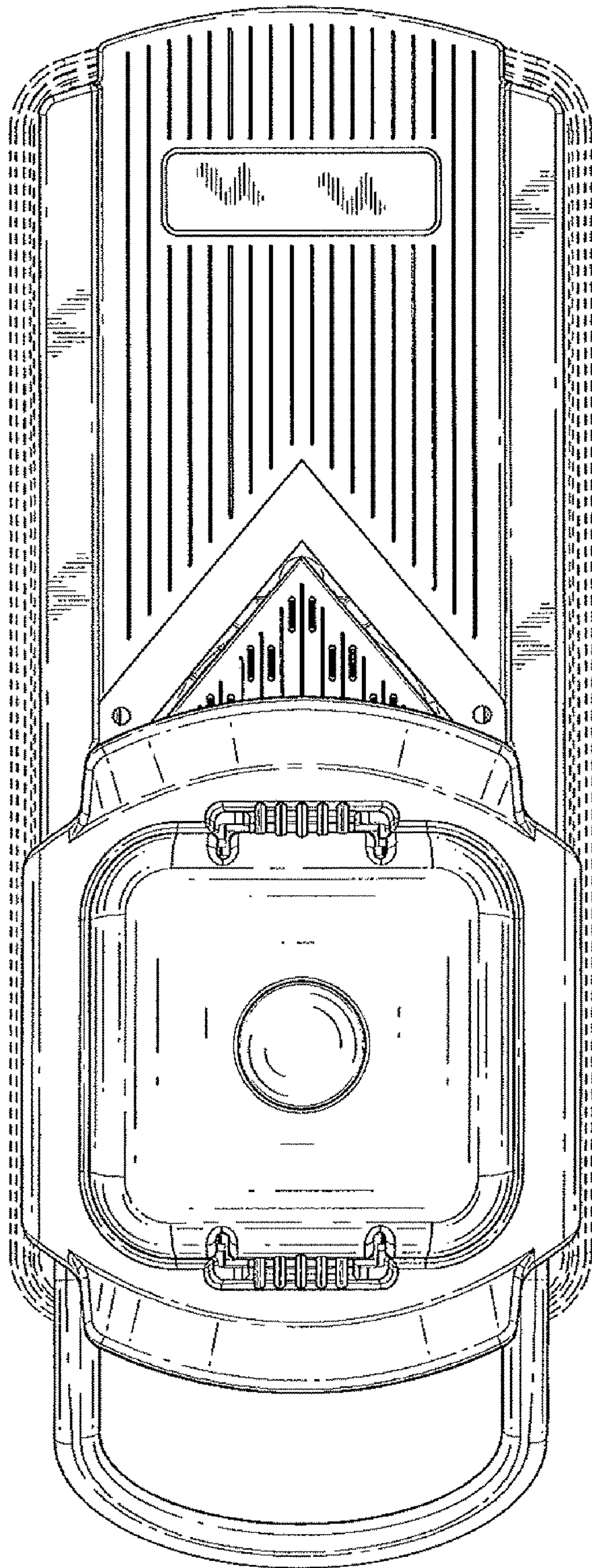


FIG. 3

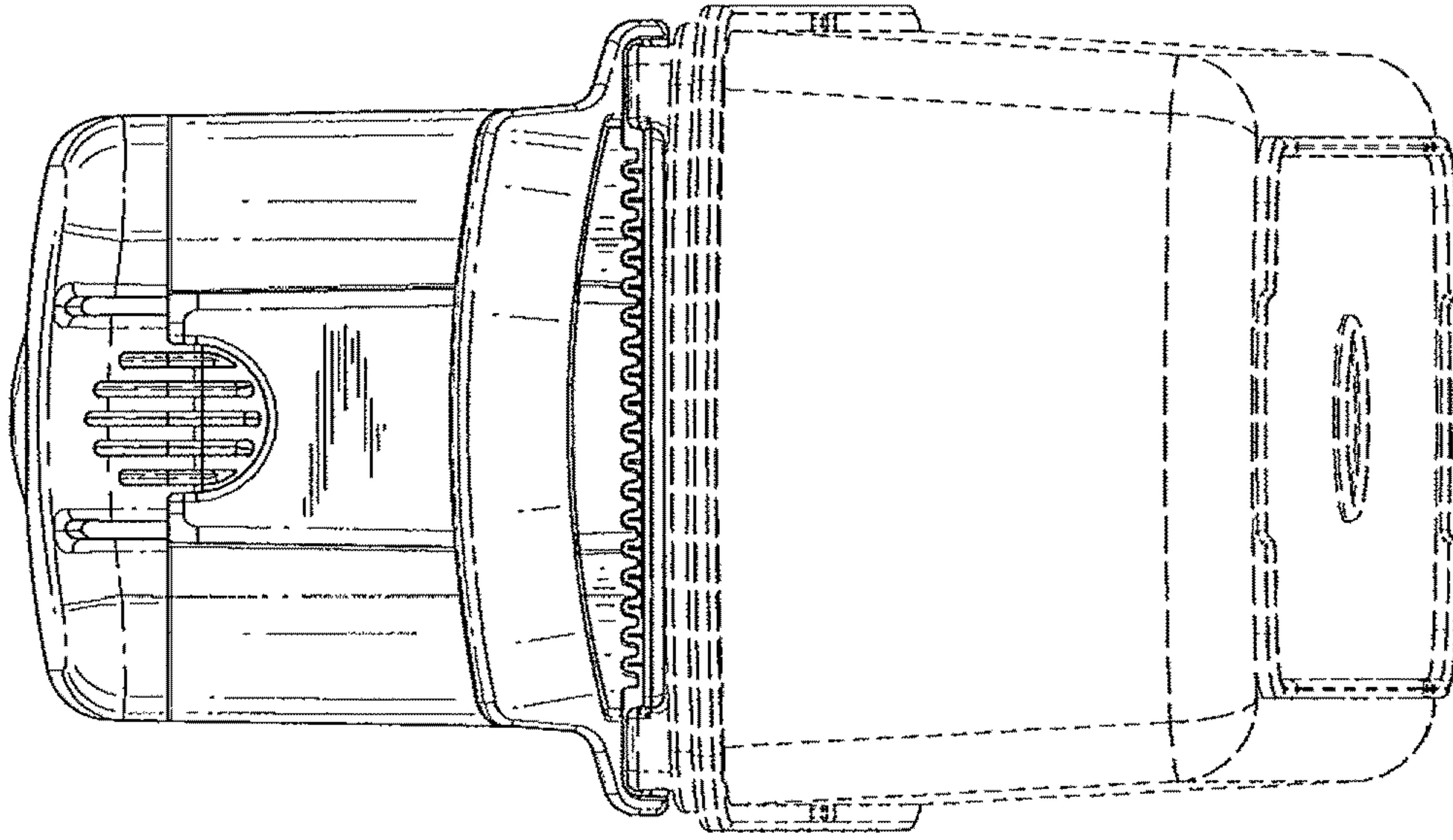


FIG. 5

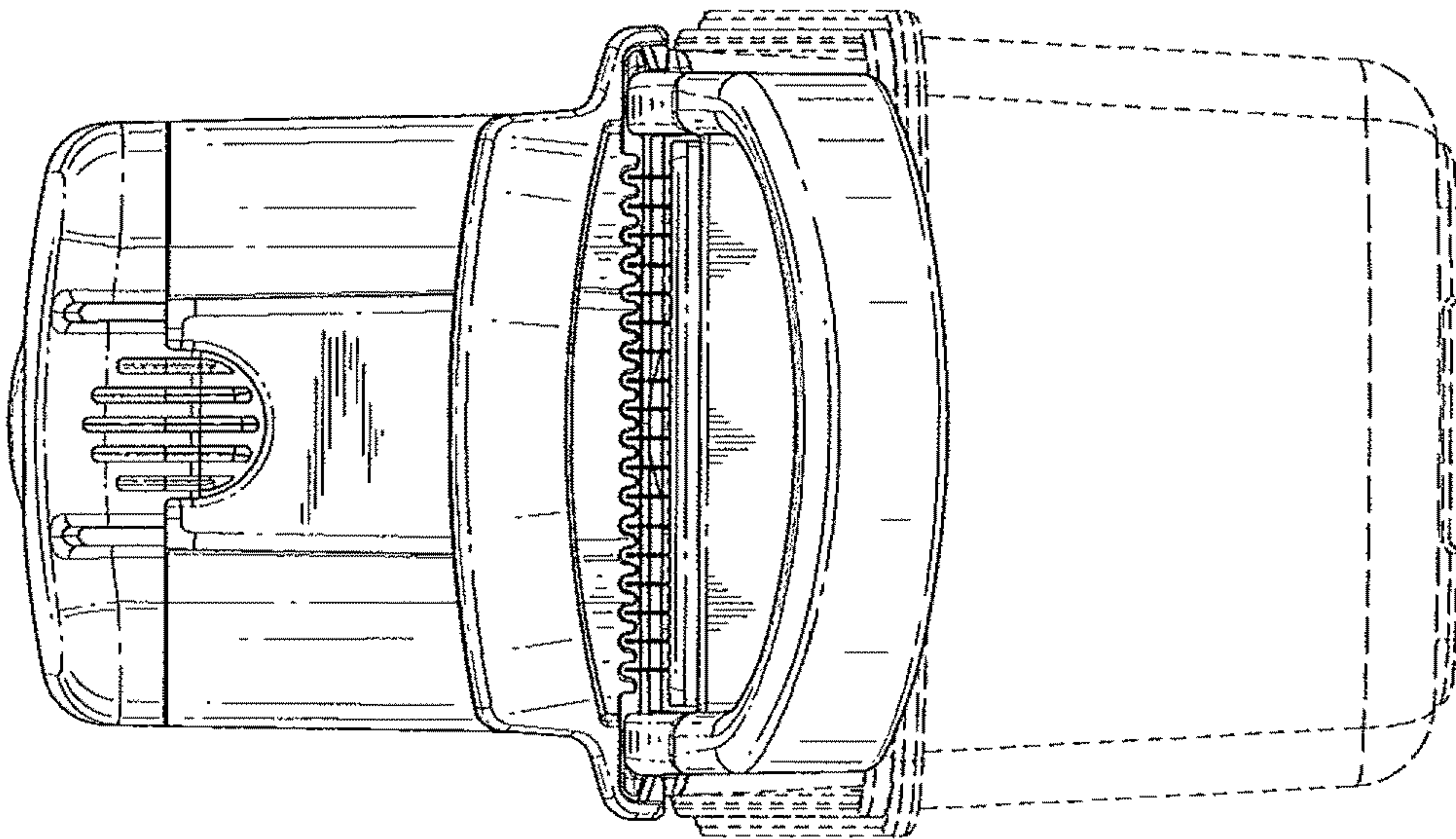


FIG. 4

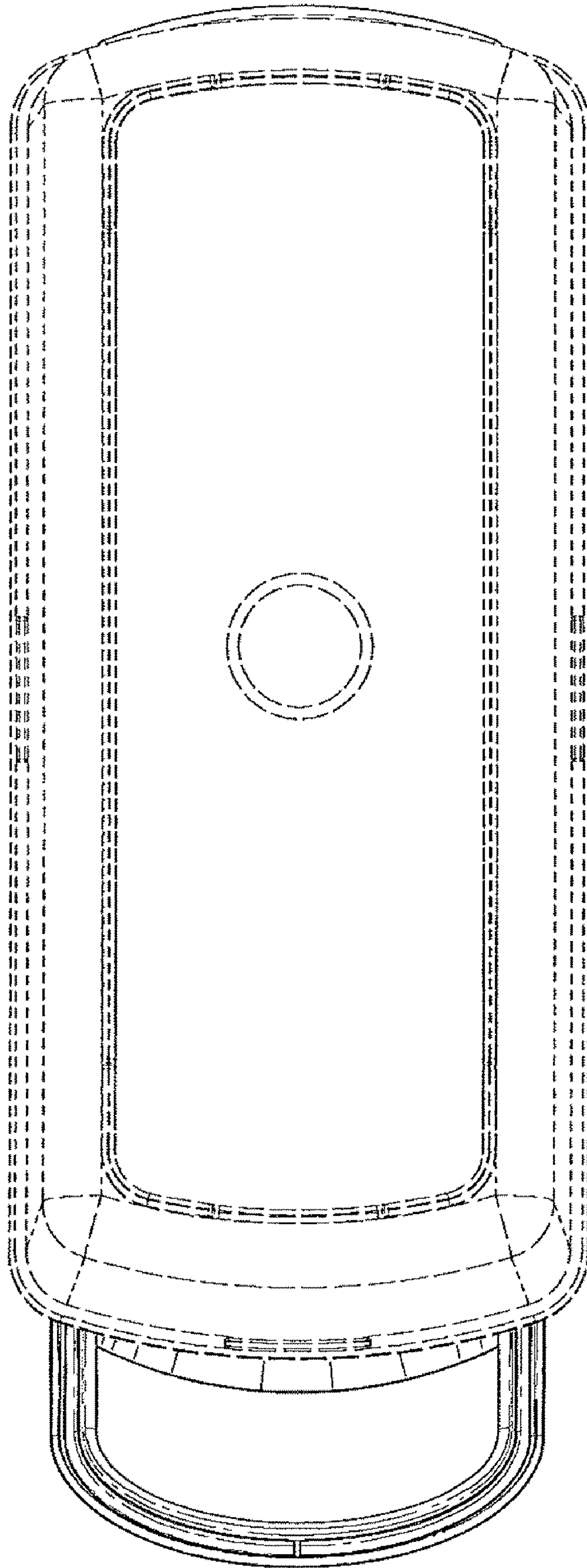


FIG. 6