



US00D632138S

(12) **United States Design Patent**  
**Carter**

(10) **Patent No.:** **US D632,138 S**

(45) **Date of Patent:** **\*\* Feb. 8, 2011**

(54) **DRINK HOLDER**

(75) Inventor: **Kevin Carter**, Toronto (CA)

(73) Assignee: **Top of the Line Sportswear Inc.**,  
Toronto (CA)

(\*\*) Term: **14 Years**

(21) Appl. No.: **29/354,332**

(22) Filed: **Jan. 22, 2010**

(51) **LOC (9) Cl.** ..... **07-06**

(52) **U.S. Cl.** ..... **D7/625; D7/606**

(58) **Field of Classification Search** ..... D7/619.1–625,  
D7/603–608, 536; 215/12.1, 12.2, 13.1,  
215/392, 393, 396; 220/737, 739, 902, 903  
See application file for complete search history.

(56) **References Cited**

**U.S. PATENT DOCUMENTS**

D249,918	S	*	10/1978	Block et al.	.....	D7/514
4,339,062	A	*	7/1982	Witt, Jr.	.....	224/148.4
D354,882	S	*	1/1995	Hurst et al.	.....	D7/515
D365,727	S	*	1/1996	Adams et al.	.....	D7/536
D391,451	S	*	3/1998	Todorya	.....	D7/606
D420,861	S	*	2/2000	Hansen	.....	D7/606
D454,283	S	*	3/2002	Kilgore	.....	D7/619.1

D498,119	S	*	11/2004	Martin et al.	.....	D7/605
D529,343	S	*	10/2006	Minor et al.	.....	D7/606
7,201,285	B2	*	4/2007	Beggins	.....	215/386

\* cited by examiner

*Primary Examiner*—Terry A Wallace

(74) *Attorney, Agent, or Firm*—Macleod Dixon LLP

(57) **CLAIM**

The ornamental design for a drink holder, as shown and described.

**DESCRIPTION**

FIG. 1 is a front perspective view of the drink holder with a drink.

FIG. 2 is a front plan view of the drink holder without a drink.

FIG. 3 is a left side view of the drink holder.

FIG. 4 is a back plan view of the drink holder.

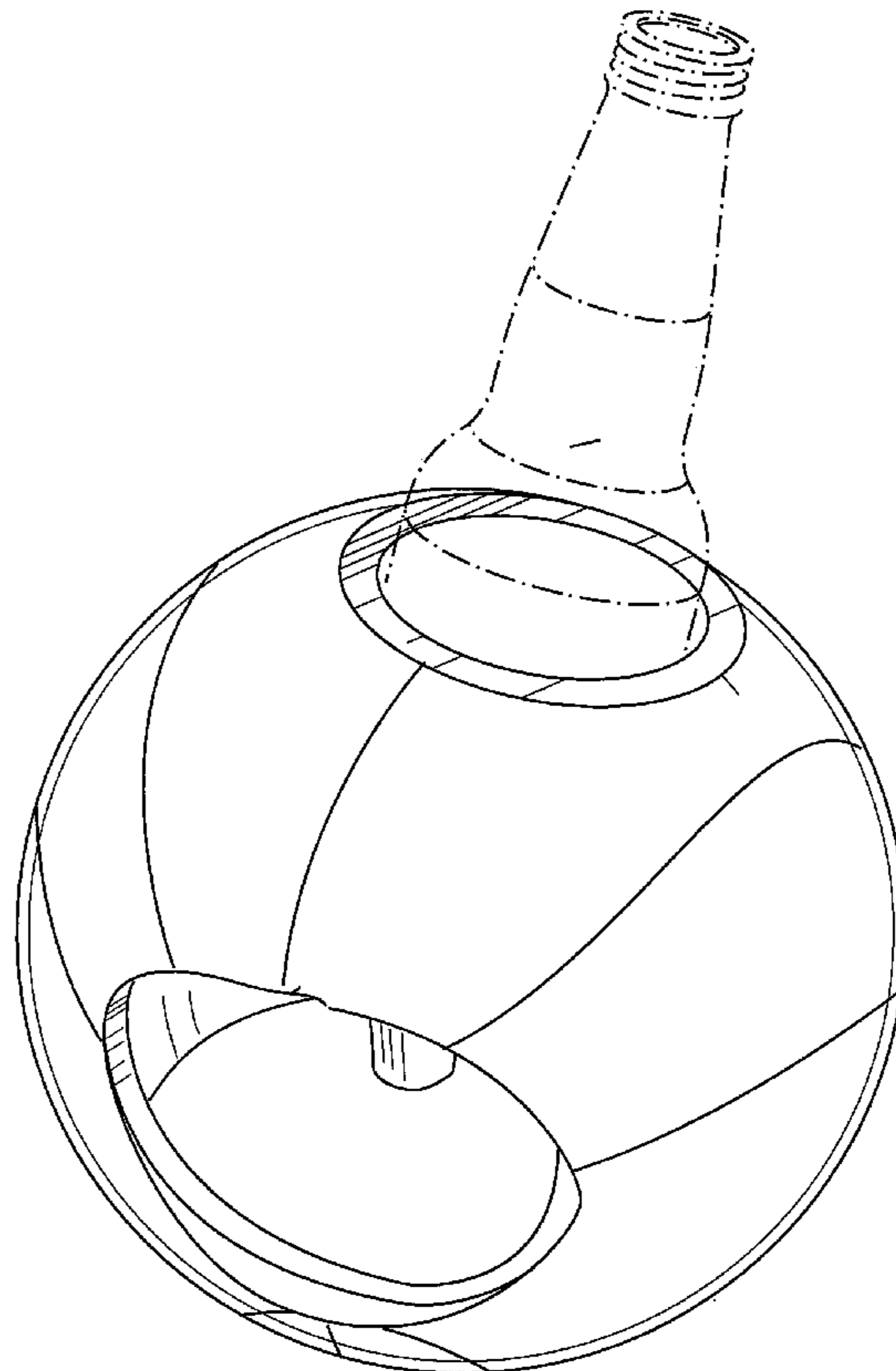
FIG. 5 is a right side view of the drink holder.

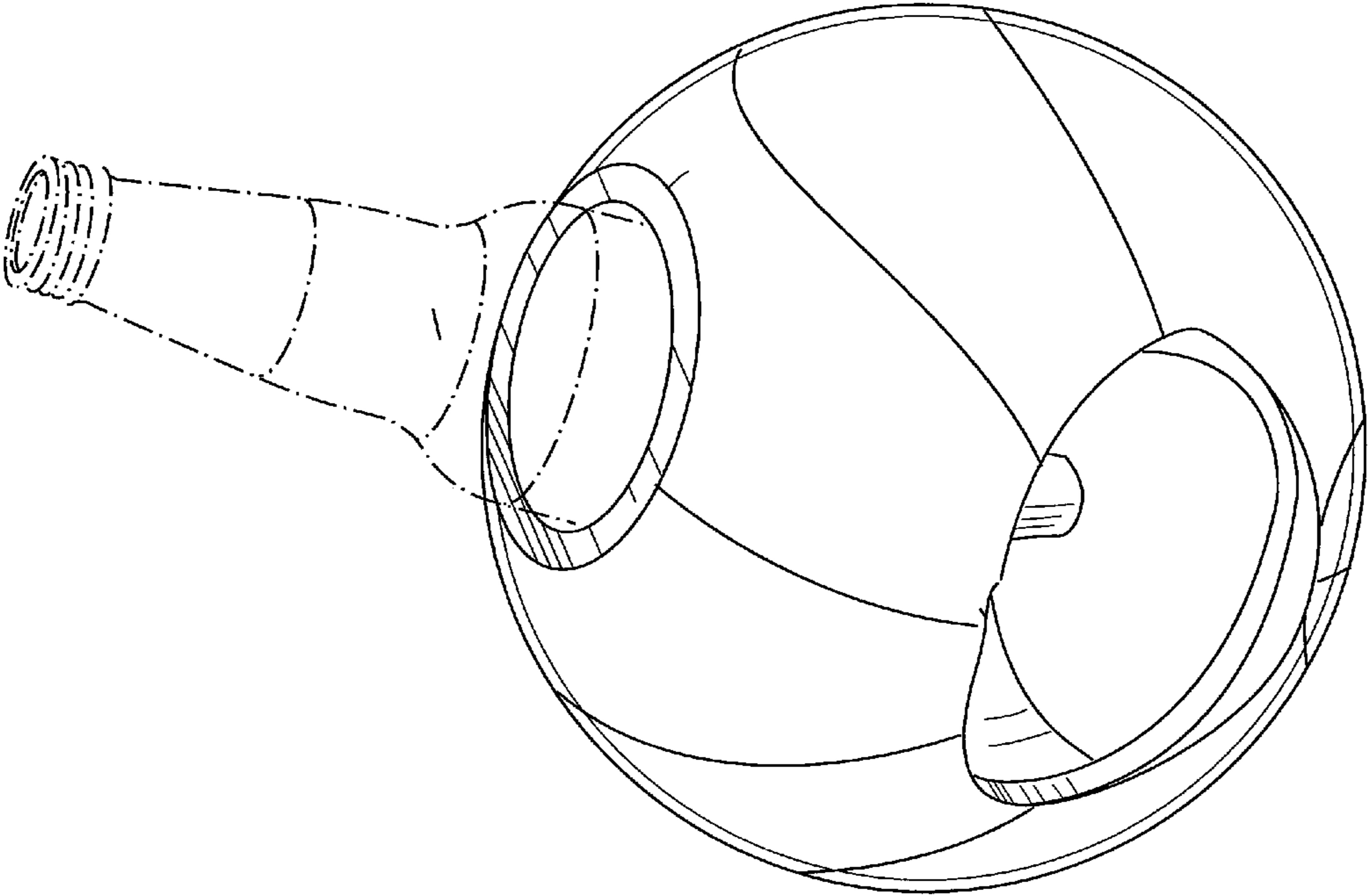
FIG. 6 is a top view of the drink holder; and,

FIG. 7 is a bottom view of the drink holder.

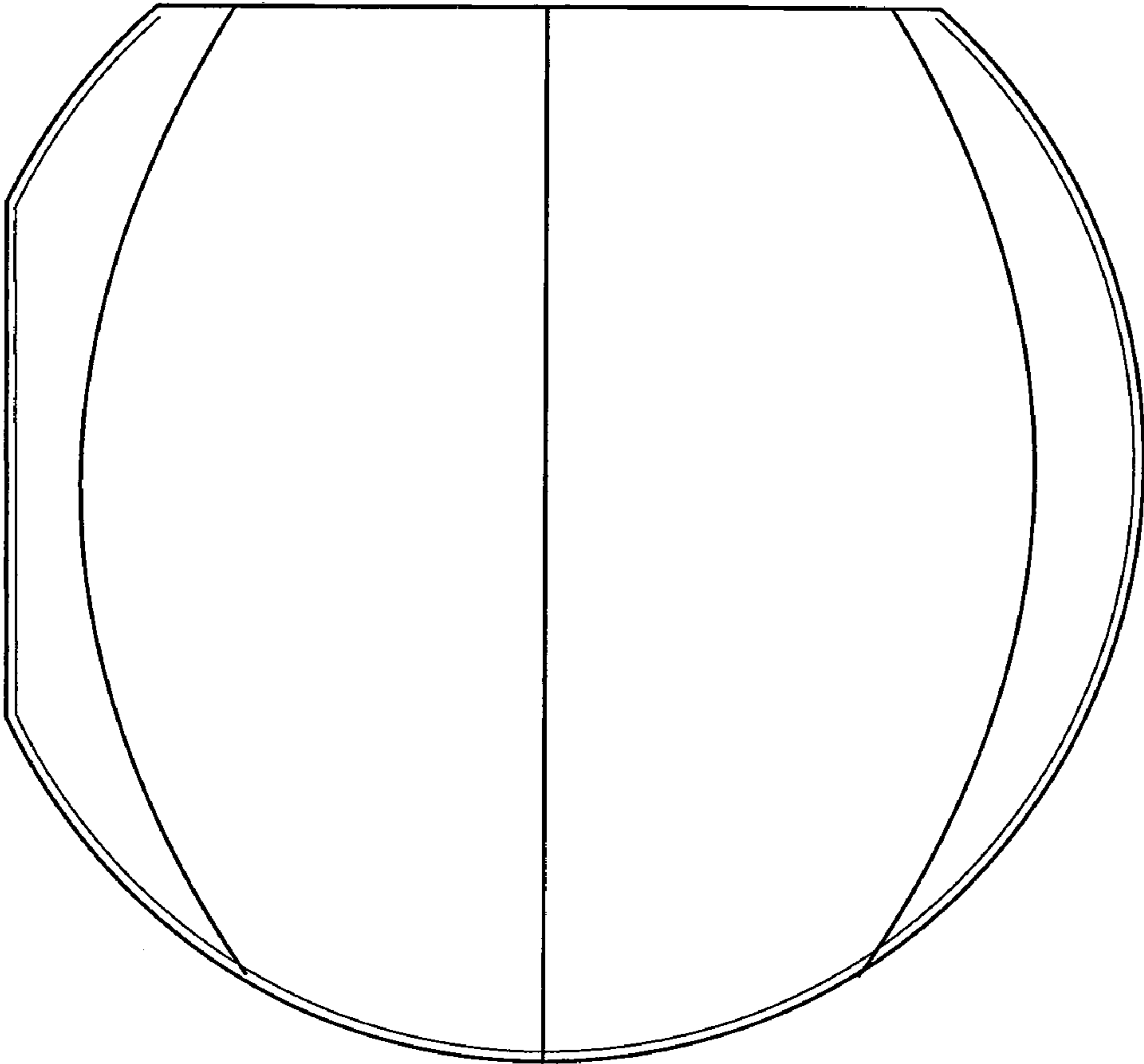
The broken lines are for illustrative purposes only and form no part of the claimed design.

**1 Claim, 7 Drawing Sheets**

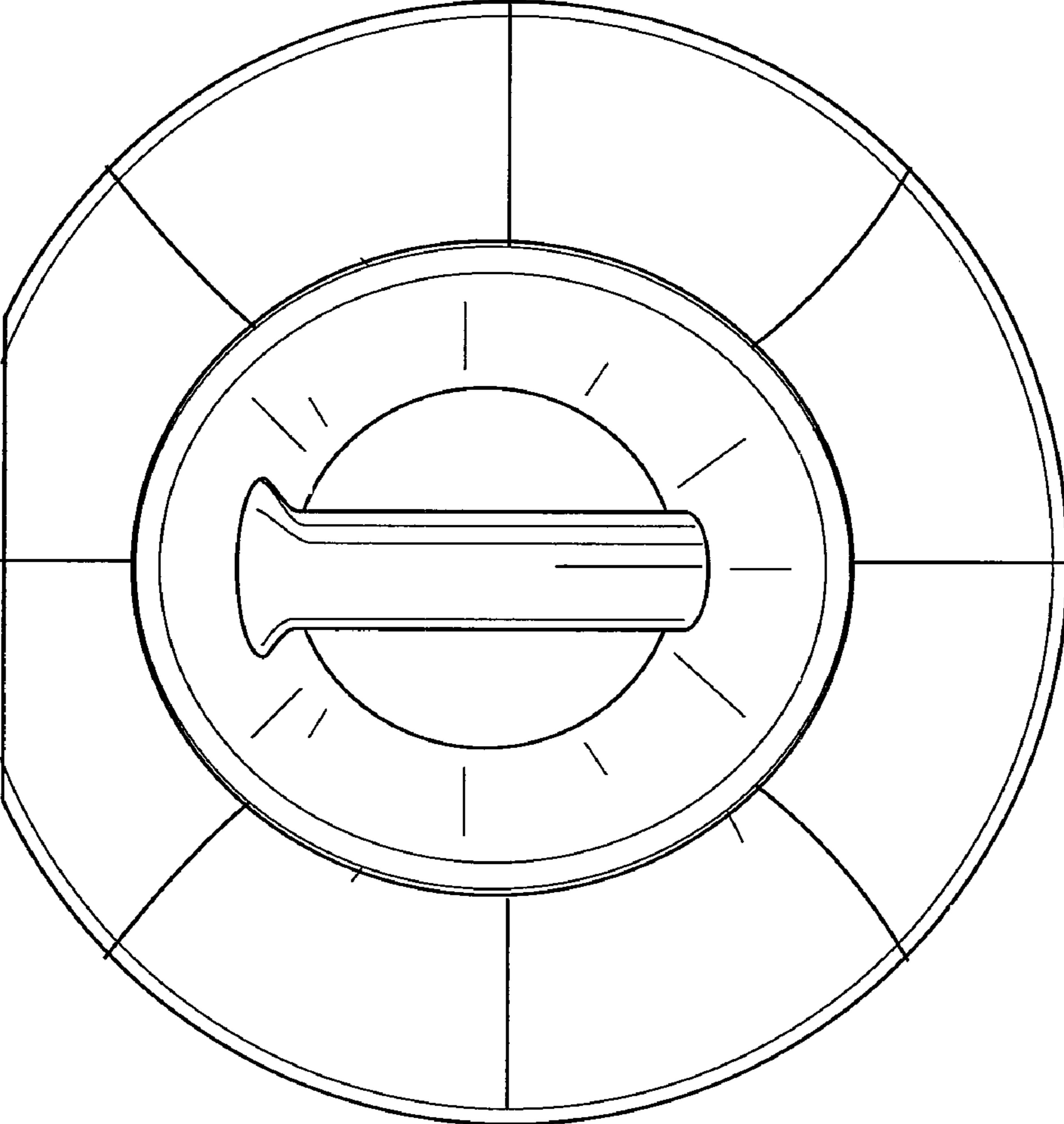




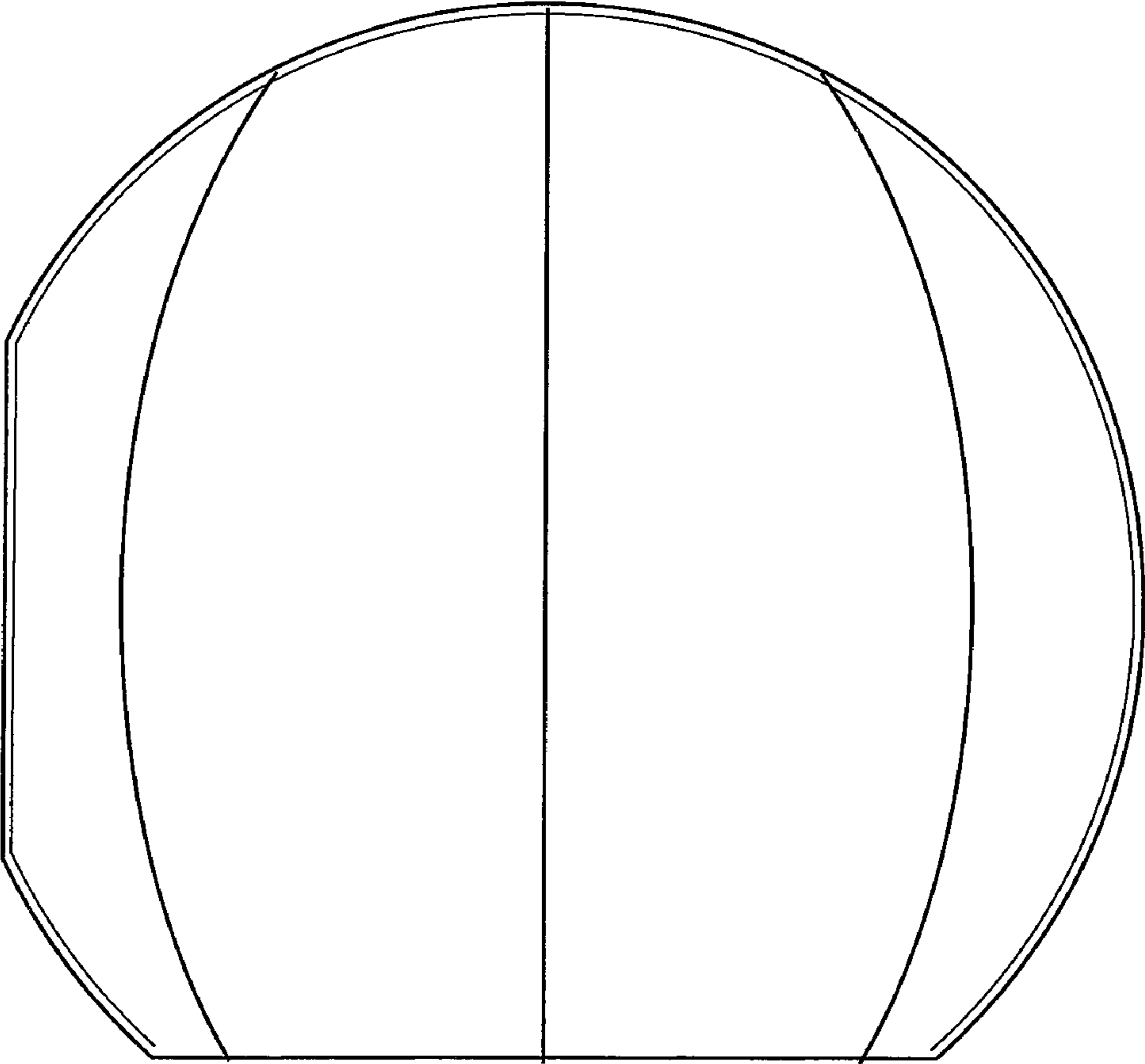
**FIG. 1**



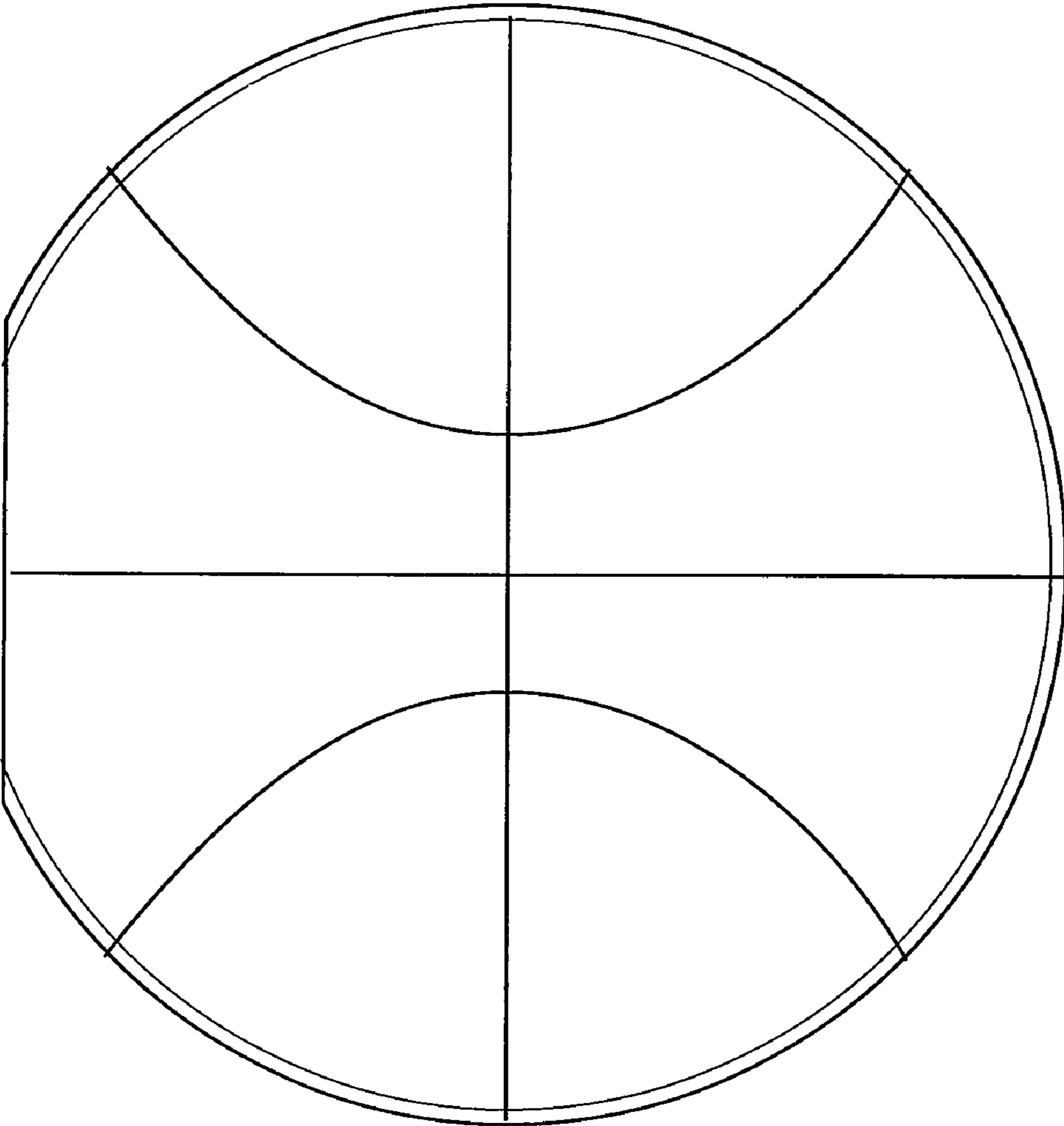
**FIG. 2**



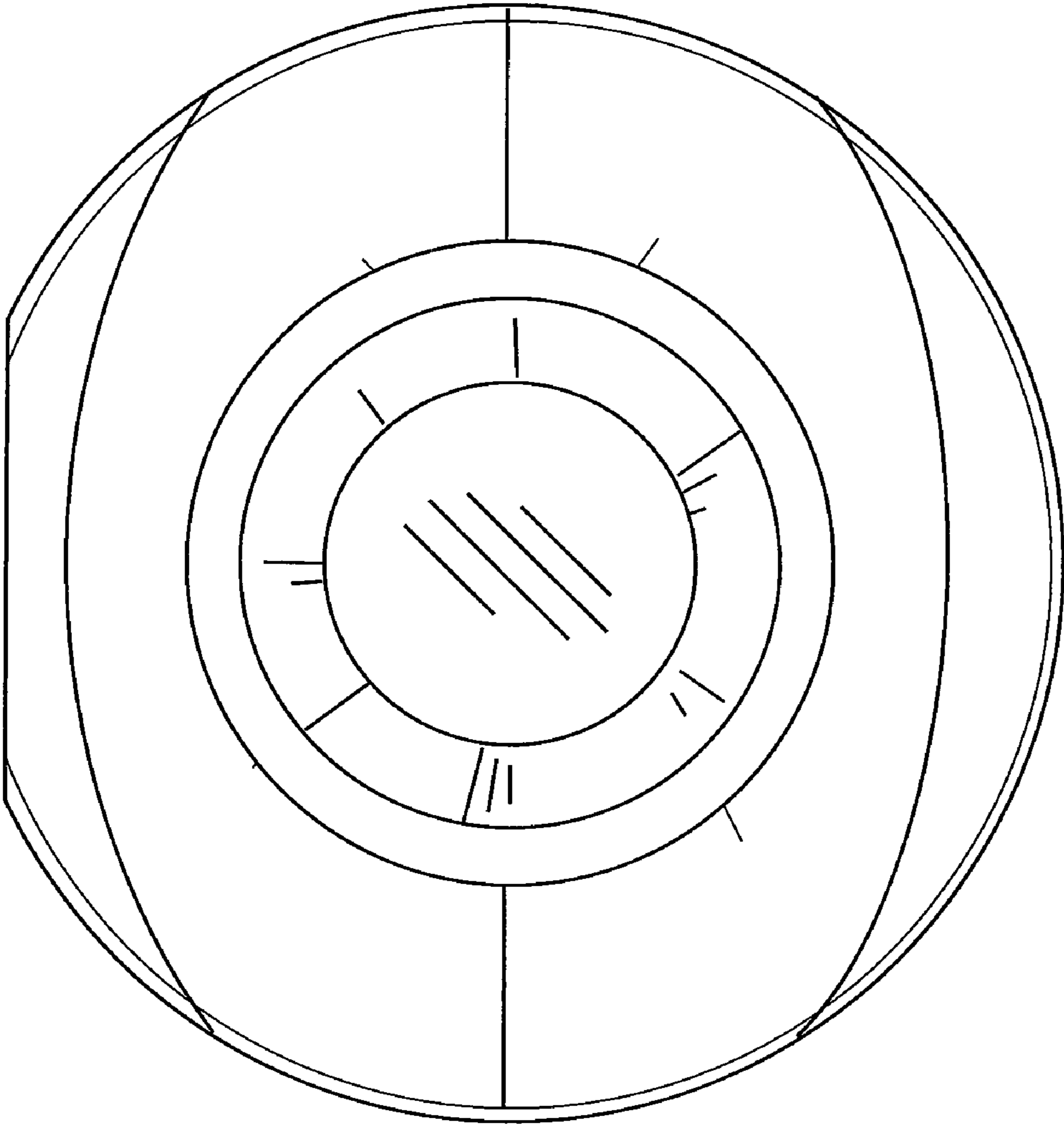
**FIG. 3**



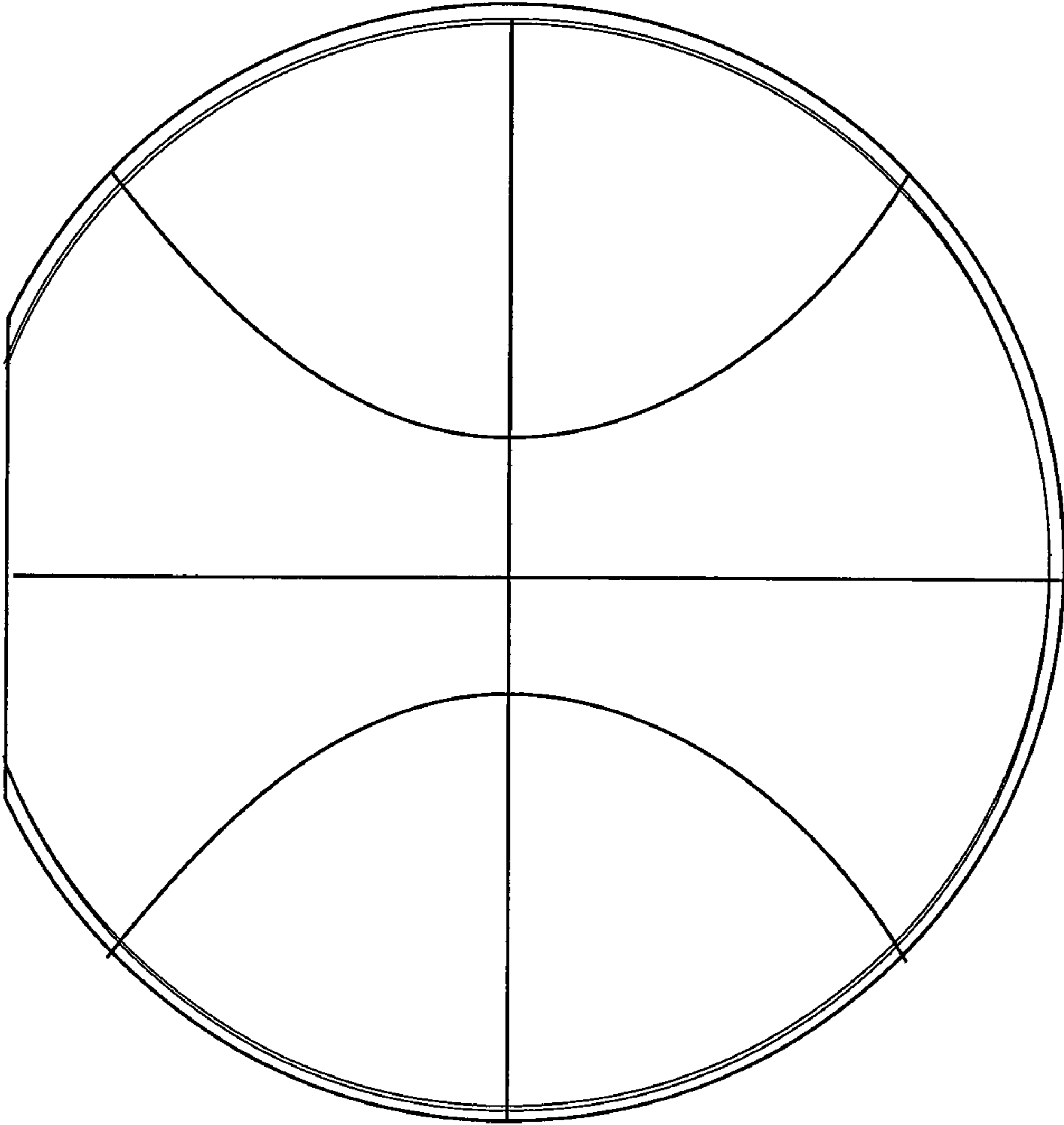
**FIG. 4**



**FIG. 5**



**FIG. 6**



**FIG. 7**