



US00D632134S

(12) **United States Design Patent**  
**Sijing et al.**

(10) **Patent No.:** **US D632,134 S**

(45) **Date of Patent:** **\*\* Feb. 8, 2011**

(54) **INVISIBLE HEART CUP**

(76) Inventors: **Lu Sijing**, Room 1105, No. 2 Building,  
No. 2 District, Sanlihe, Xicheng District,  
Beijing (CN) 100045; **Zhang Yufei**, No.  
67, 12th Group, No. 10 Yuan,  
Xibianmenwai Street, Beijing (CN)  
100045

(\*\*) **Term:** **14 Years**

(21) **Appl. No.:** **29/361,337**

(22) **Filed:** **May 10, 2010**

(30) **Foreign Application Priority Data**

Nov. 9, 2009 (CN) ..... 2009 3 0209095

(51) **LOC (9) Cl.** ..... **07-01**

(52) **U.S. Cl.** ..... **D7/514; D7/520; D7/536**

(58) **Field of Classification Search** ..... D7/514,  
D7/515, 536, 533, 509, 507, 520; 40/324;  
248/346.11; 220/714, 715

See application file for complete search history.

(56) **References Cited**

**U.S. PATENT DOCUMENTS**

D29,617 S *	11/1898	Hanley	.....	D7/519
777,305 A *	12/1904	Priestnall	.....	40/324
D69,899 S *	4/1926	Mahoney	.....	D7/520
D80,187 S *	12/1929	Rithner	.....	D26/11
D101,453 S *	10/1936	Gunther	.....	D7/520
D101,620 S *	10/1936	Cowan	.....	D7/536
D102,350 S *	12/1936	Bayreuther	.....	D7/536
D102,416 S *	12/1936	Day	.....	D7/520
D108,964 S *	3/1938	Redman	.....	D7/520
D143,321 S *	12/1945	Hubbard	.....	D7/520

2,510,237 A *	6/1950	Mahoney	.....	40/324
2,577,030 A *	12/1951	Neumann	.....	250/487.1
D167,917 S *	10/1952	Wagner	.....	D7/536
D179,502 S *	1/1957	Warsager	.....	D7/520
2,781,650 A *	2/1957	Lee	.....	40/324
D184,566 S *	3/1959	Holzworth	.....	D7/622
D290,434 S *	6/1987	Brown	.....	D6/544
5,123,190 A *	6/1992	Erberber	.....	40/324
5,339,548 A *	8/1994	Russell	.....	40/324
D444,674 S *	7/2001	Allen	.....	D7/514
D445,646 S *	7/2001	Indekeu	.....	D7/536
D562,634 S *	2/2008	Frank	.....	D7/536
D562,636 S *	2/2008	Weber	.....	D7/536

\* cited by examiner

*Primary Examiner*—Marianne Pandozzi

(74) *Attorney, Agent, or Firm*—Morgan, Lewis & Bockius LLP

(57) **CLAIM**

The ornamental design for an invisible heart cup, as shown and described.

**DESCRIPTION**

FIG. 1 is a right side elevational view of an invisible heart cup showing our new design;

FIG. 2 is a front elevational view thereof;

FIG. 3 is a left side elevational view thereof;

FIG. 4 is a rear elevational view thereof;

FIG. 5 is a top plan view thereof;

FIG. 6 is a bottom plan view thereof;

FIG. 7 is a perspective view thereof; and,

FIG. 8 is a top perspective view thereof in a position of use.

**1 Claim, 4 Drawing Sheets**

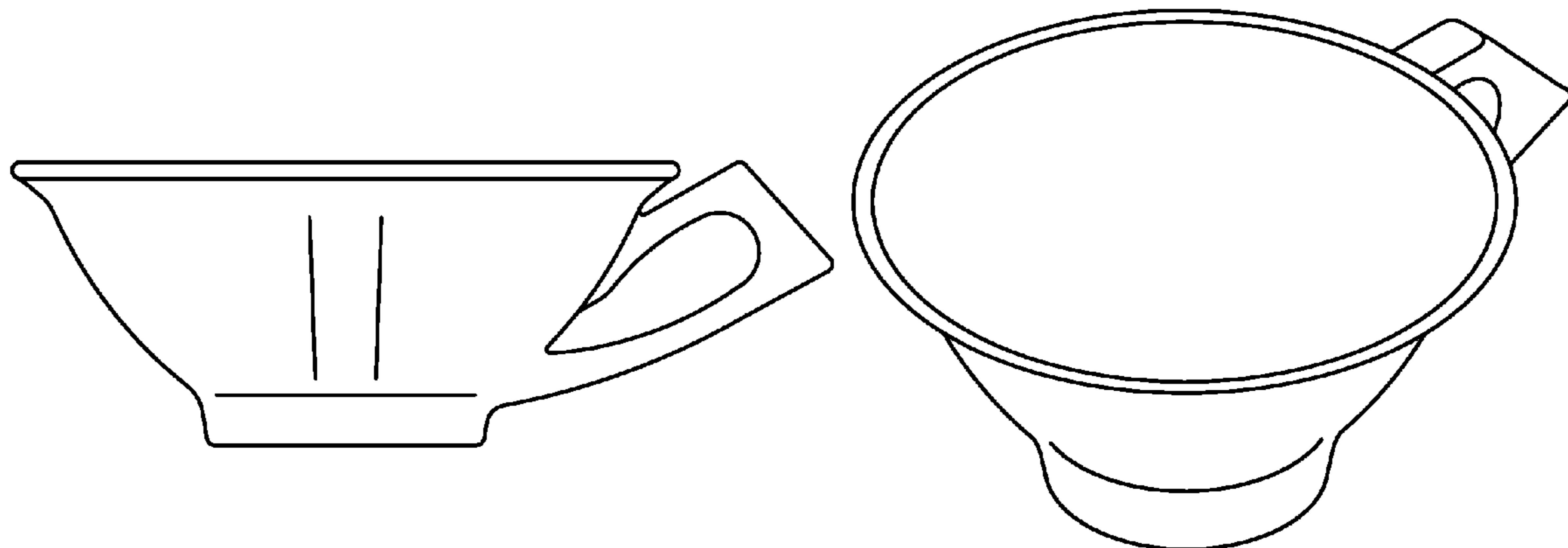


FIG.1

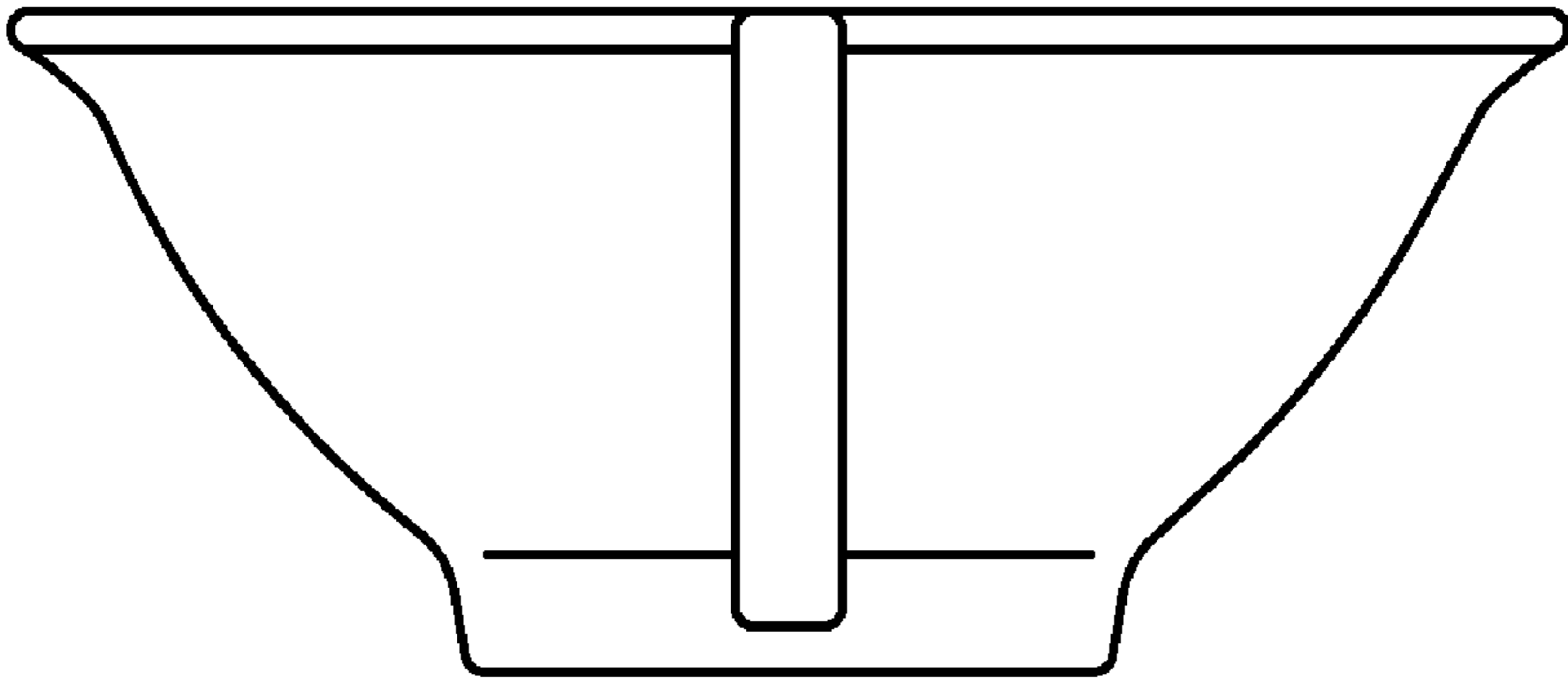


FIG.2

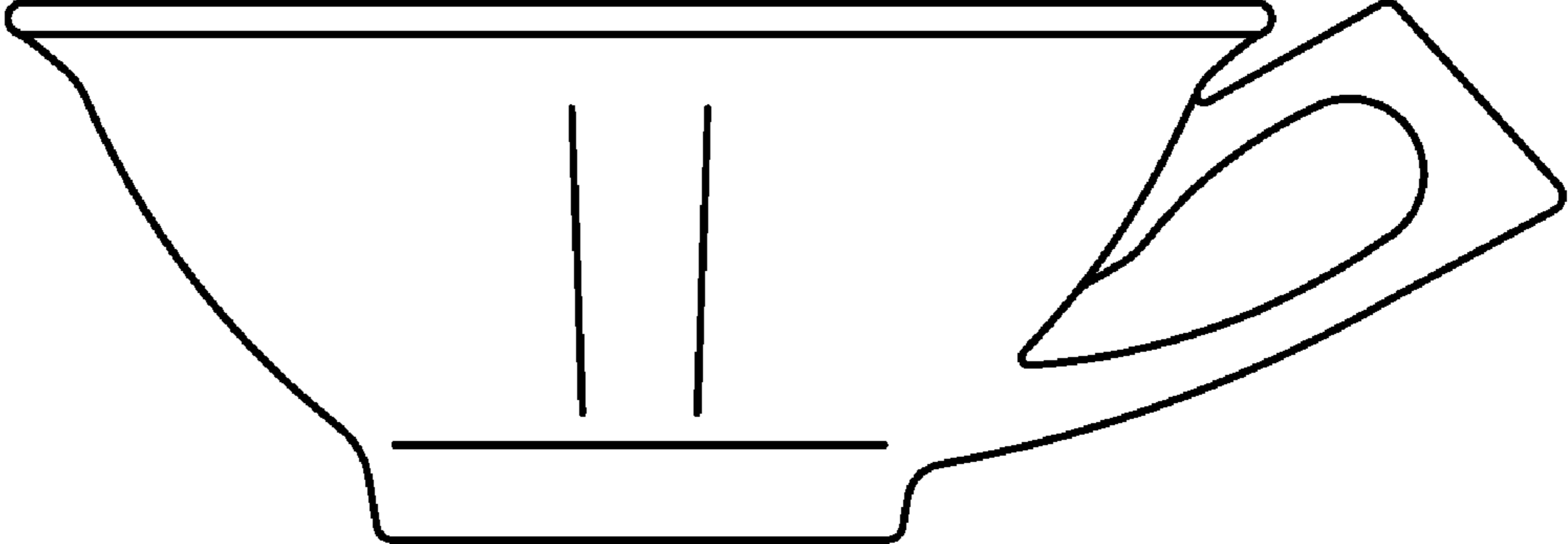


FIG.3

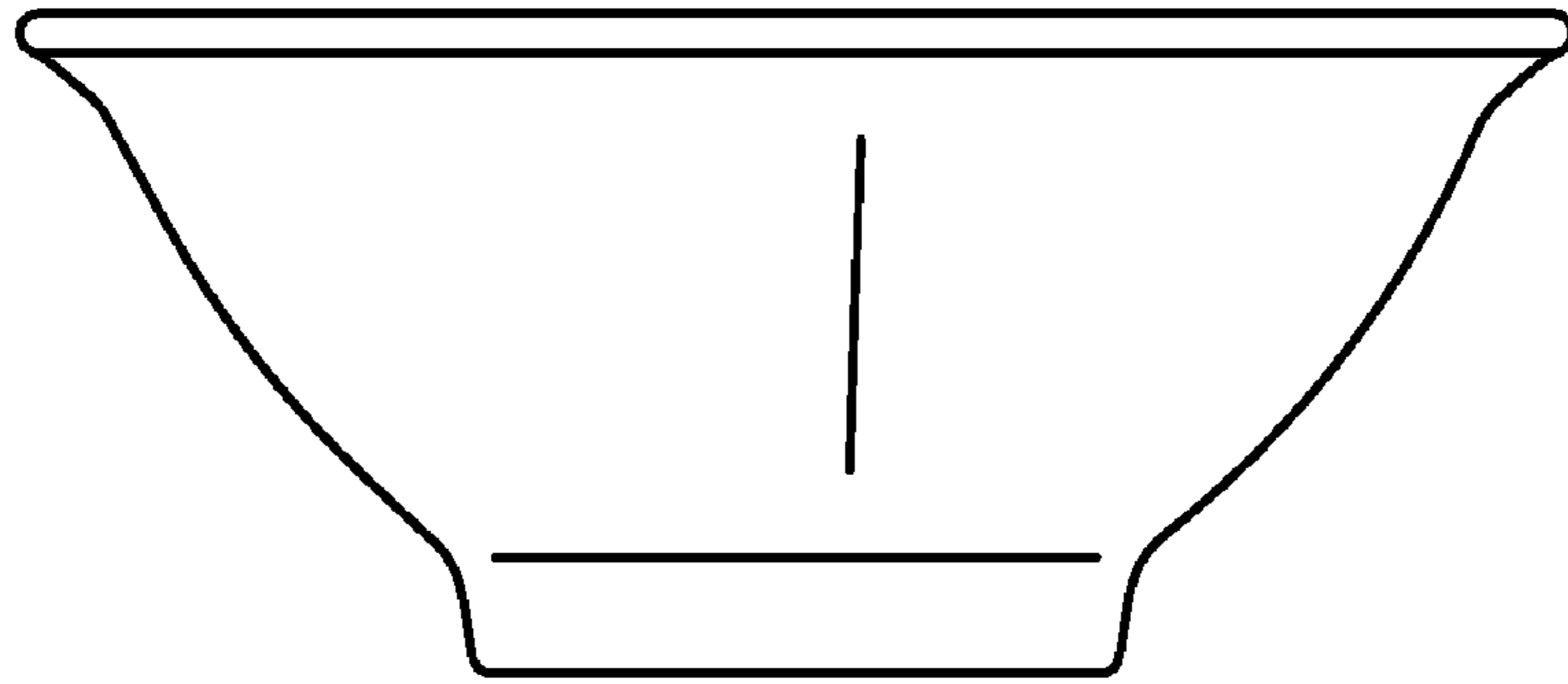


FIG.4

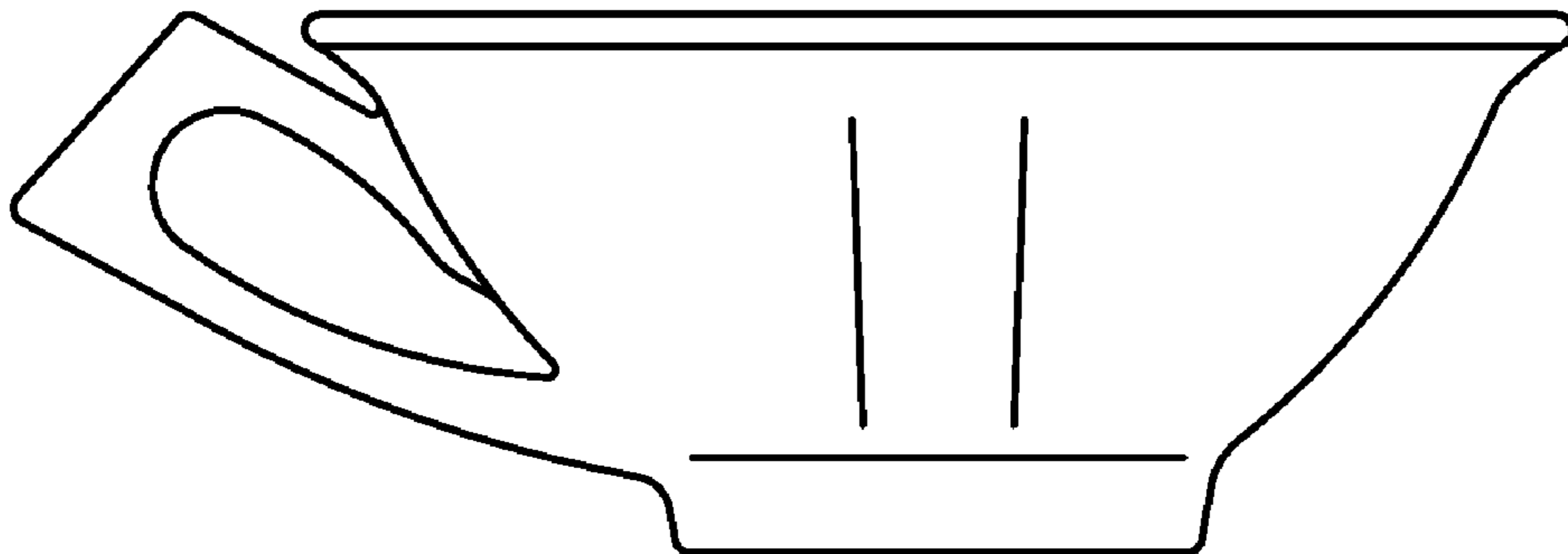


FIG.5

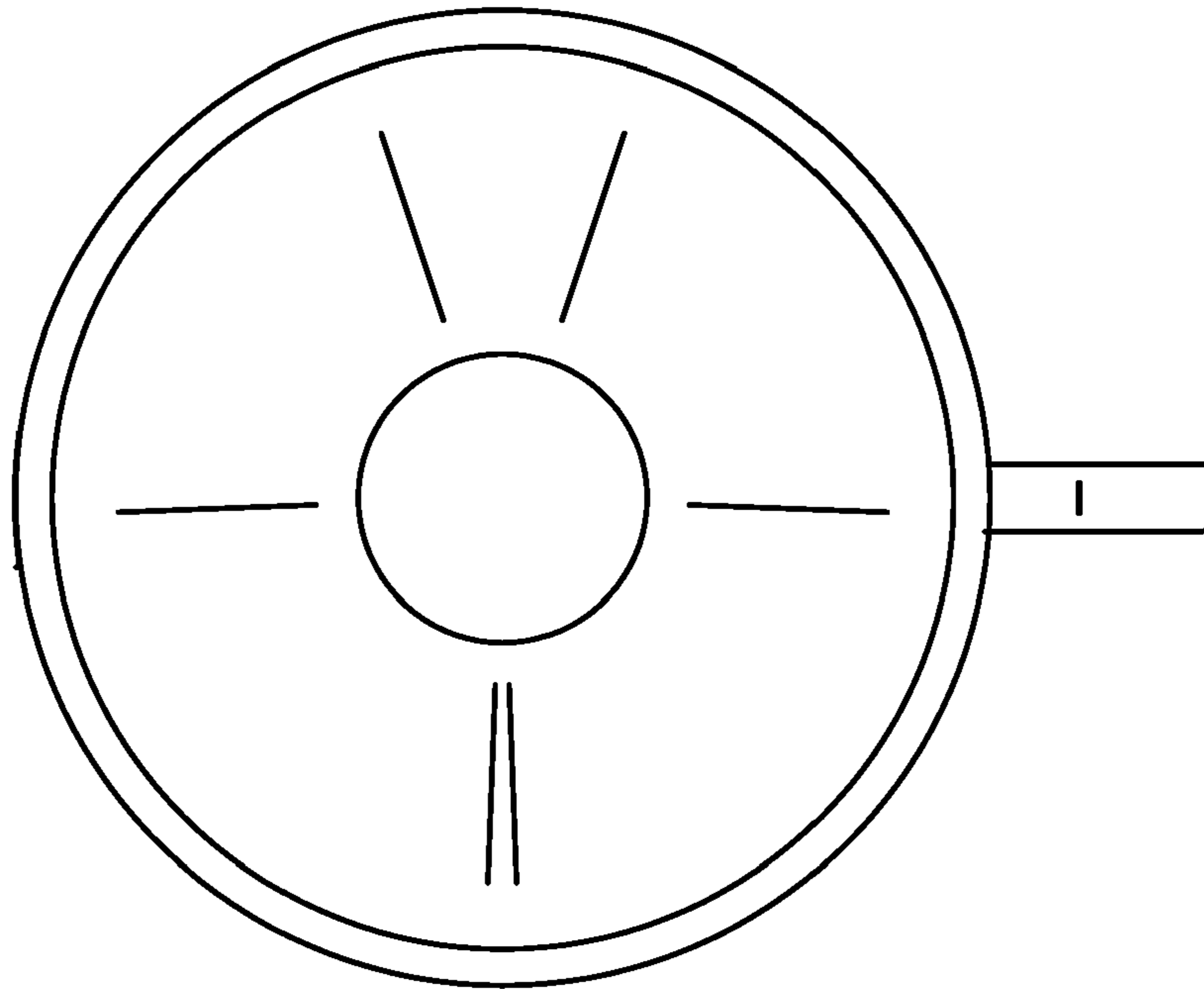


FIG.6

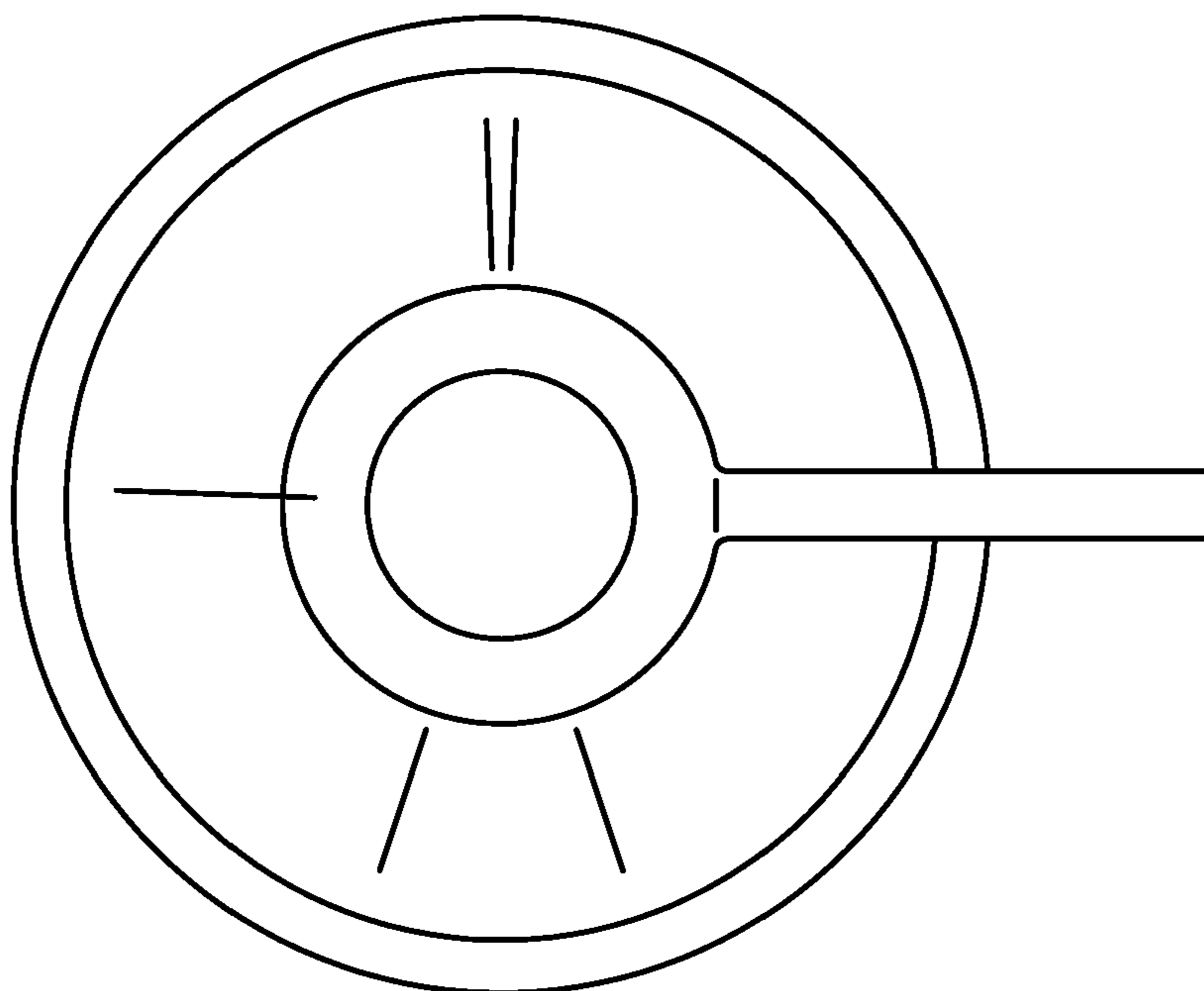


FIG. 7

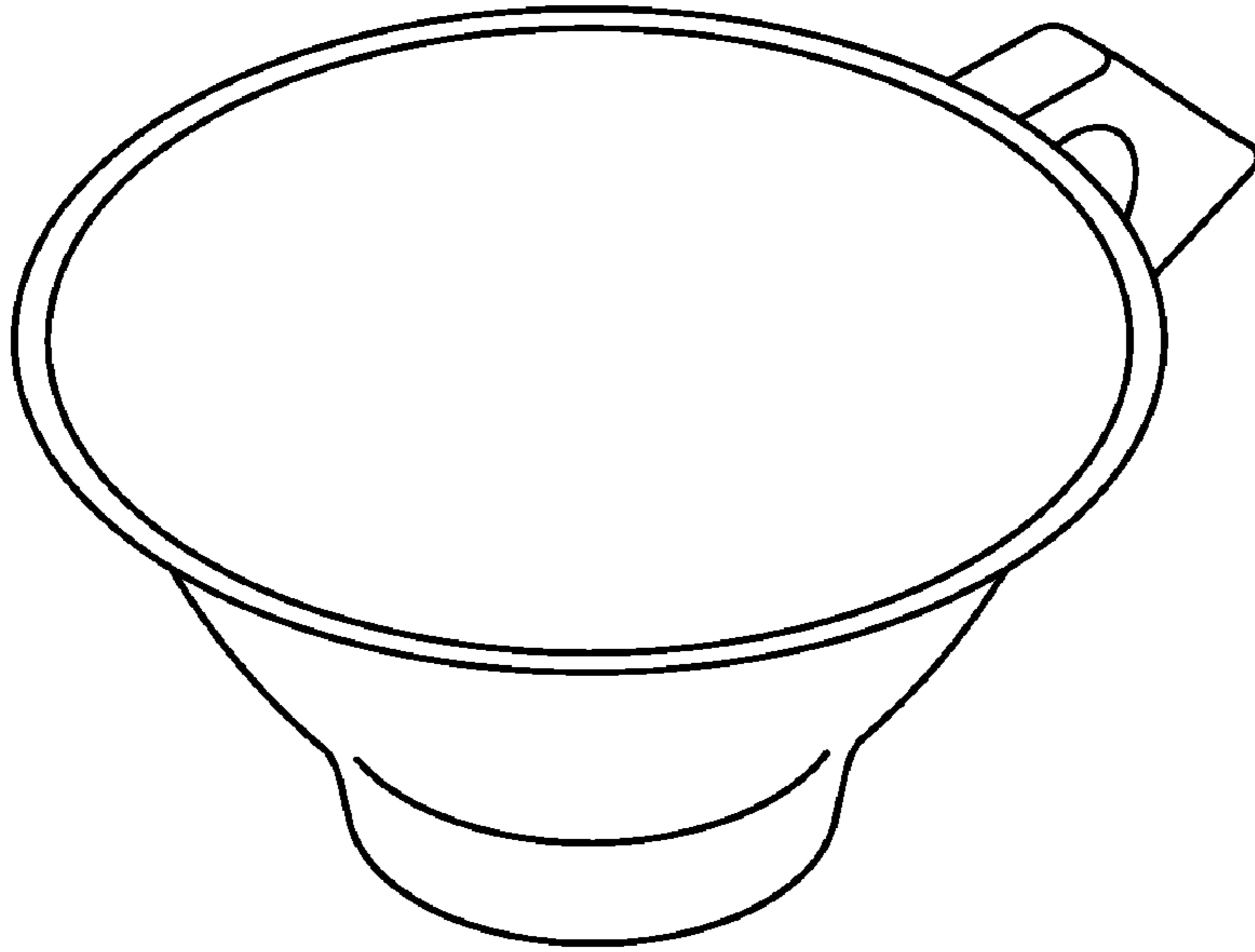


FIG. 8

