



US00D632131S

(12) **United States Design Patent**  
**Manson**

(10) **Patent No.:** **US D632,131 S**

(45) **Date of Patent:** **\*\* Feb. 8, 2011**

(54) **FRYER HEAT EXCHANGE TUBE**

(75) Inventor: **Richard B. Manson**, Baltimore, MD  
(US)

(73) Assignee: **Premark FEG L.L.C.**, Wilmington, DE  
(US)

(\*\*) Term: **14 Years**

(21) Appl. No.: **29/342,642**

(22) Filed: **Aug. 28, 2009**

(51) **LOC (9) Cl.** ..... **07-02**

(52) **U.S. Cl.** ..... **D7/407**

(58) **Field of Classification Search** ..... D7/334-337,  
D7/402-405, 409, 391, 392.1, 330.2; D23/323,  
D23/386, 403; 126/25 R, 39 C, 41 R, 25 A,  
126/29-30, 25 AA, 9 R, 37-40, 39 H, 374.1,  
126/391.1; 99/481-482; 137/883, 875; 431/343;  
122/4 D; D13/102

See application file for complete search history.

(56) **References Cited**

**U.S. PATENT DOCUMENTS**

2,053,568	A	9/1936	Levin	
2,176,869	A	10/1939	Childs	
D132,423	S *	5/1942	Anderson et al.	D23/323
D132,424	S *	5/1942	Anderson et al.	D23/323
2,655,144	A	10/1953	Keating	
D228,728	S *	10/1973	Christophel	D23/399
3,769,959	A	11/1973	Parker	
D240,536	S *	7/1976	Christophel	D23/399
D245,173	S *	7/1977	Van Leeuwen	D13/102
D253,719	S *	12/1979	DiDonato	D23/403
4,848,317	A	7/1989	Prudhomme et al.	
D304,856	S *	11/1989	Aoki	D23/386
4,947,824	A *	8/1990	Ejiri et al.	99/403
5,101,806	A	4/1992	Hunt et al.	
5,375,563	A *	12/1994	Khinkis et al.	122/4 D

5,398,668	A *	3/1995	Daneshvar et al.	99/330
5,417,202	A	5/1995	Cote	
5,632,197	A	5/1997	Lubawy et al.	
5,642,742	A	7/1997	Noren et al.	
5,706,717	A	1/1998	Barner	
5,901,641	A	5/1999	McNamara	
D415,264	S *	10/1999	Thweatt, Jr.	D23/323
6,095,037	A	8/2000	Savage et al.	
6,196,118	B1	3/2001	Savage et al.	
6,209,536	B1	4/2001	McNamara	
D532,499	S *	11/2006	Nakagawa et al.	D23/323
D583,183	S *	12/2008	Roth et al.	D7/300.2

\* cited by examiner

*Primary Examiner*—T. Chase Nelson

*Assistant Examiner*—Mark Cavanna

(74) *Attorney, Agent, or Firm*—Thompson Hine LLP

(57) **CLAIM**

The ornamental design for a fryer heat exchange tube, as shown and described.

**DESCRIPTION**

FIG. 1 is a perspective view of a fryer heat exchange tube showing my new design;

FIG. 2 is top view of the fryer heat exchange tube of FIG. 1;

FIG. 3 is a front view of the fryer heat exchange tube of FIG. 1;

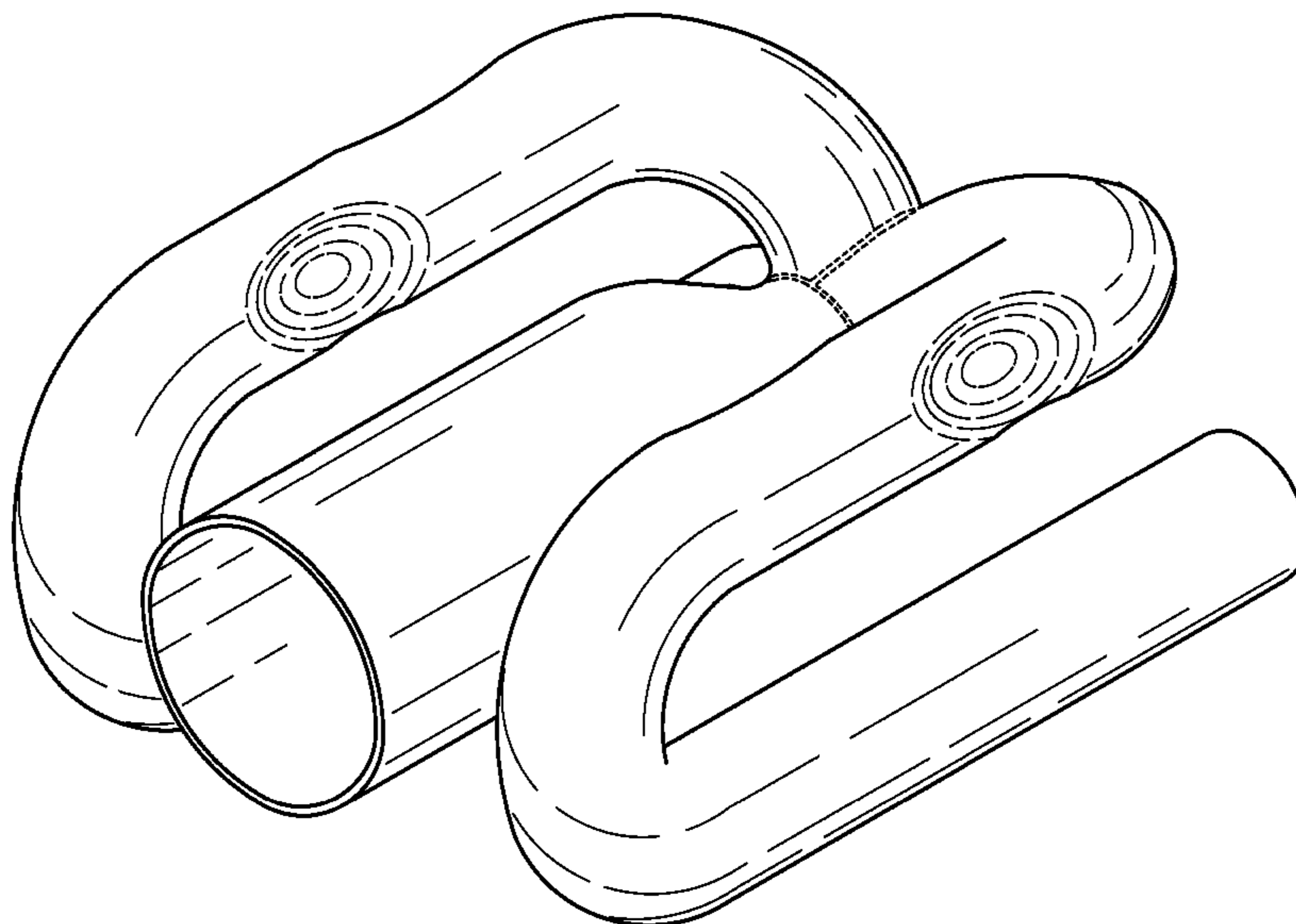
FIG. 4 is a rear view of the fryer heat exchange tube of FIG. 1;

FIG. 5 is bottom view of the fryer heat exchange tube of FIG. 1; and,

FIG. 6 is a side view of the fryer heat exchange tube of FIG. 1.

The broken lines shown in the drawings are for illustrative purposes only and form no part of the claimed design.

**1 Claim, 5 Drawing Sheets**



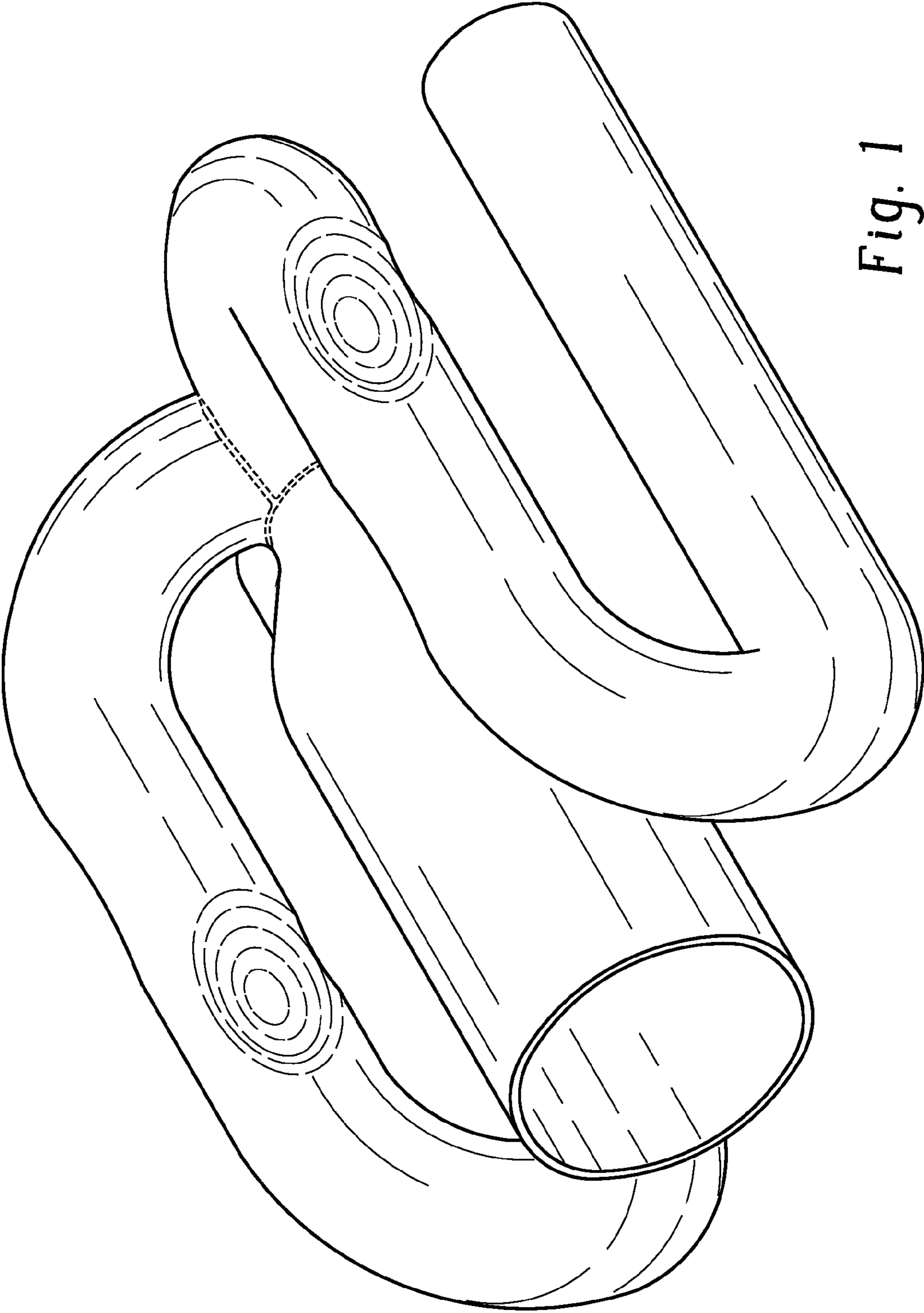
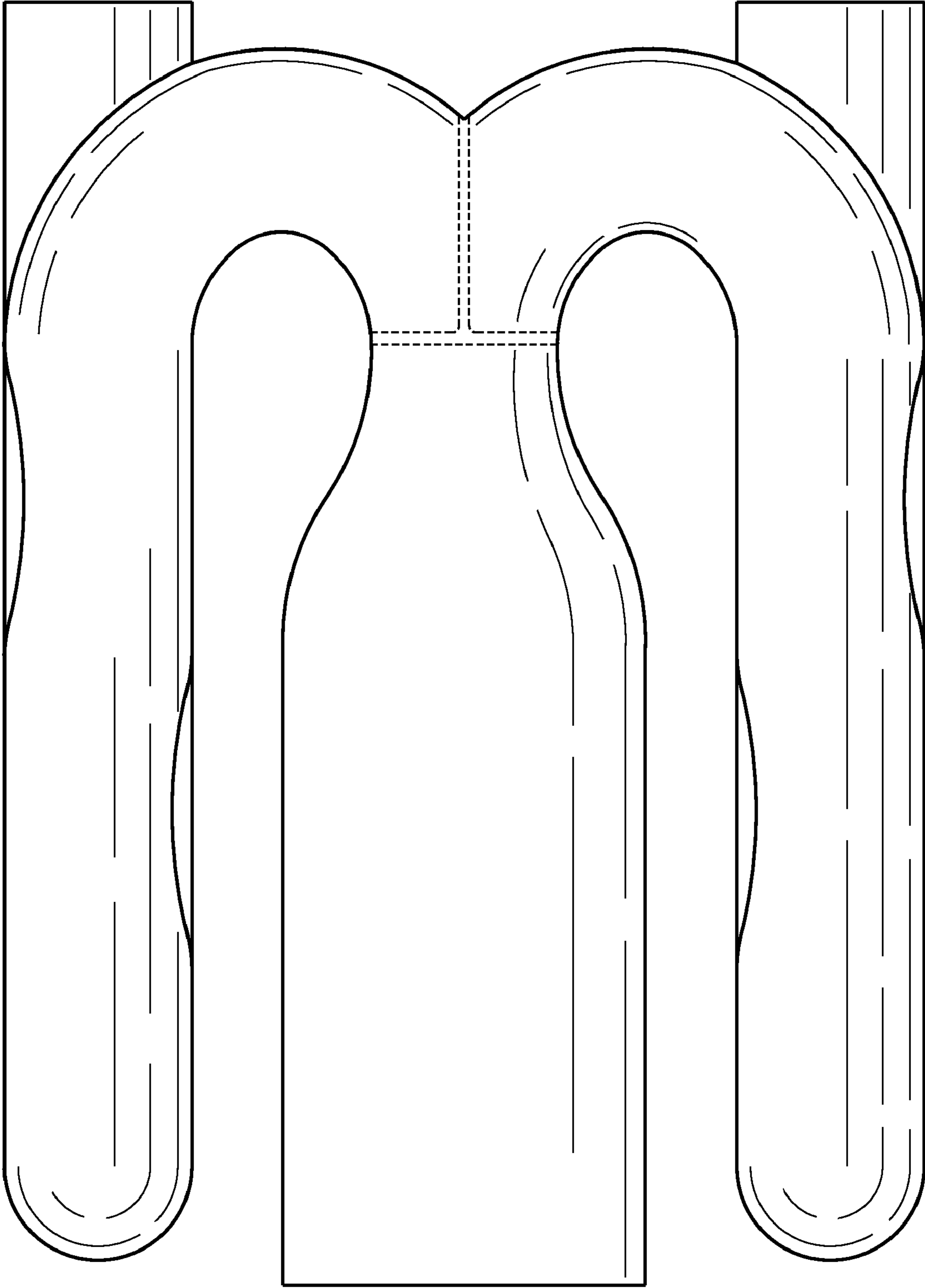
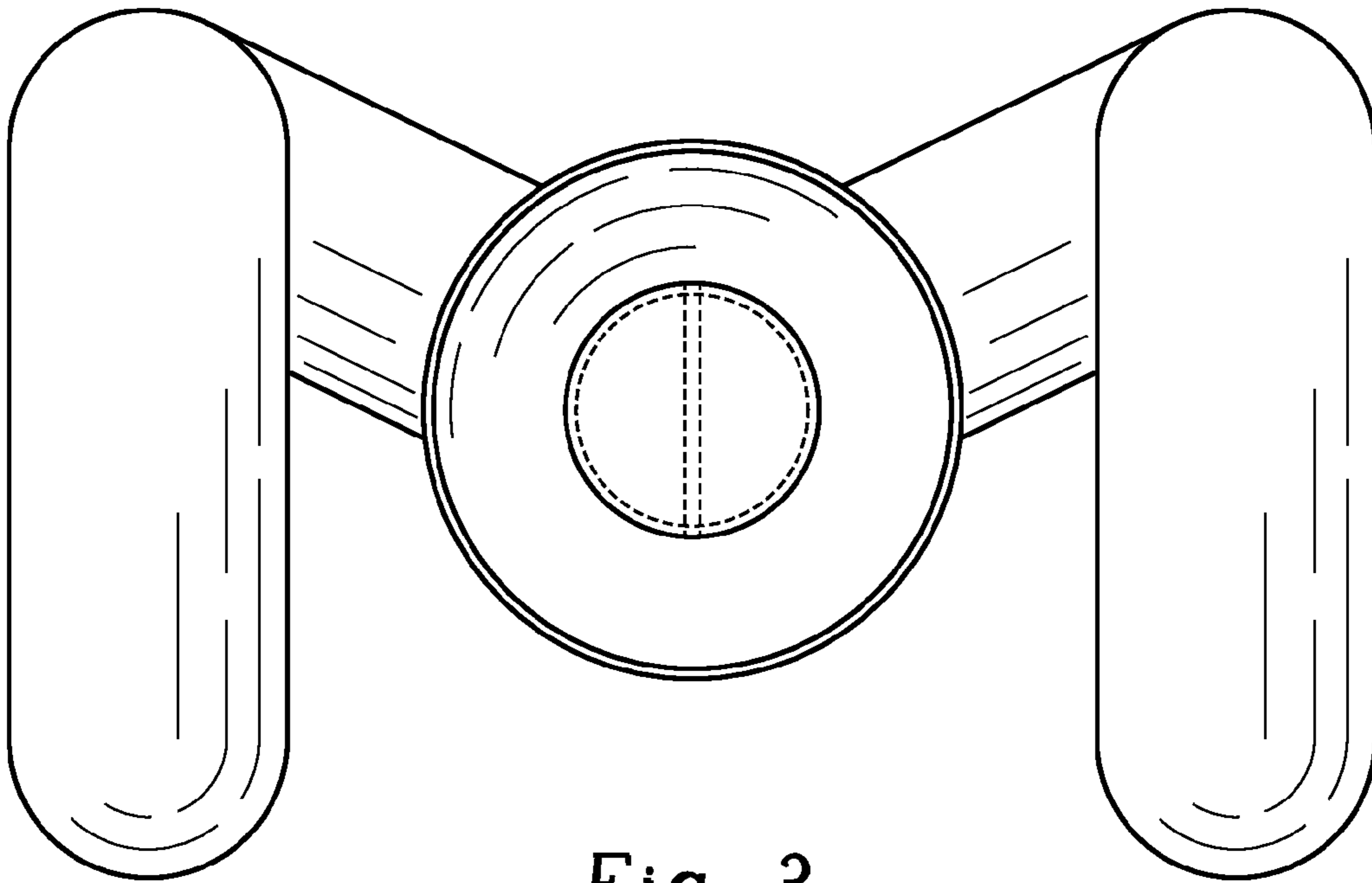


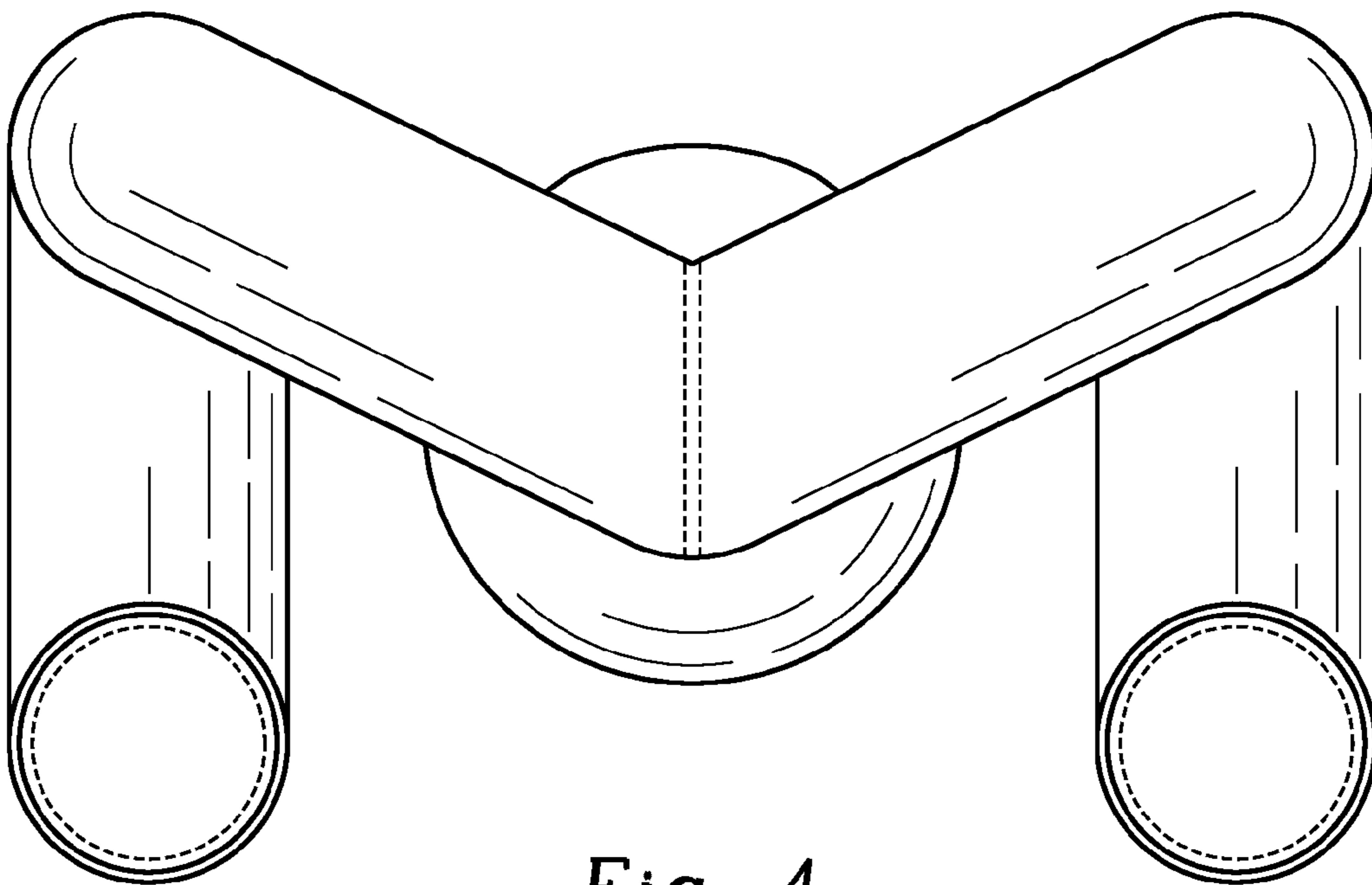
Fig. 1



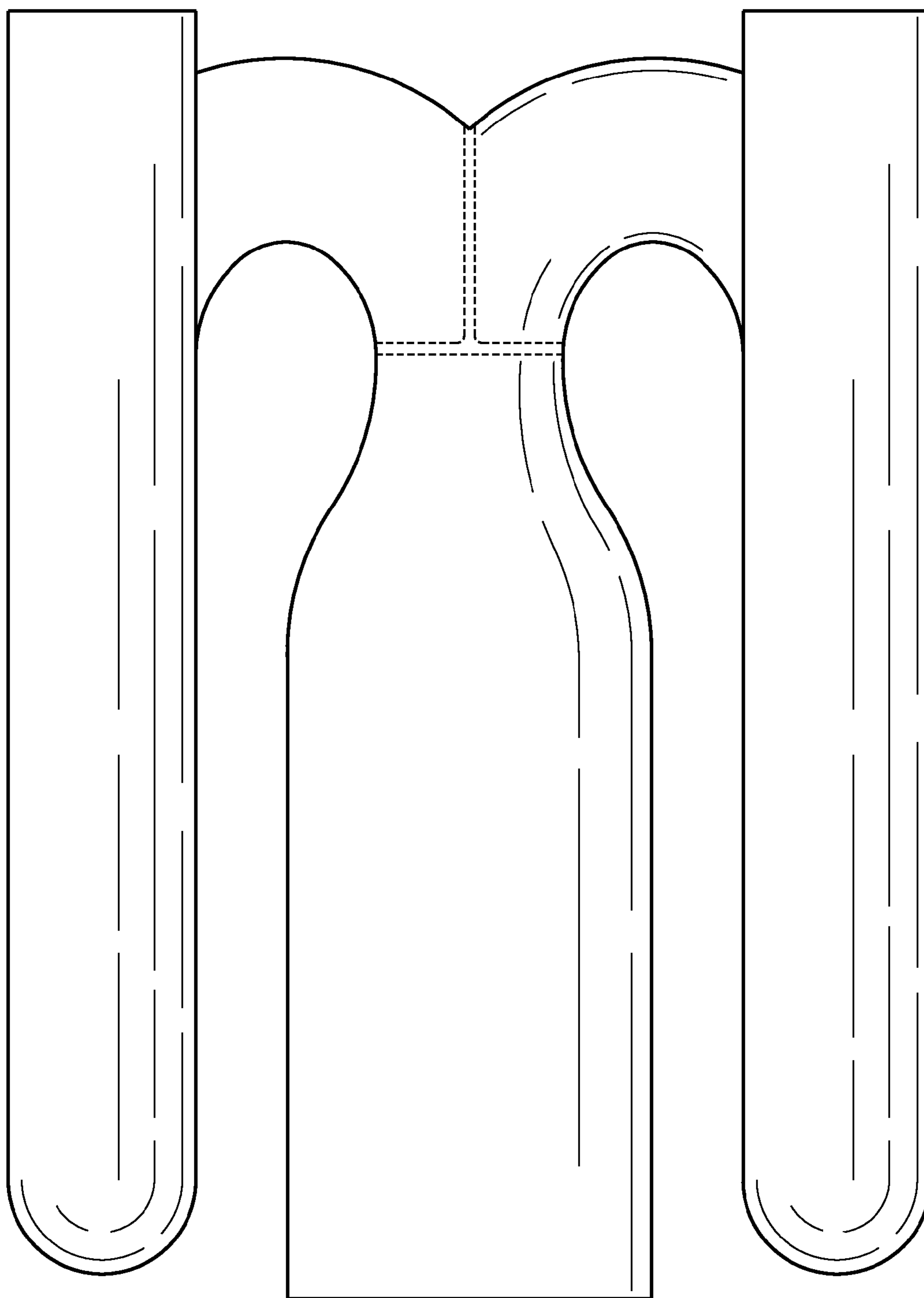
*Fig. 2*



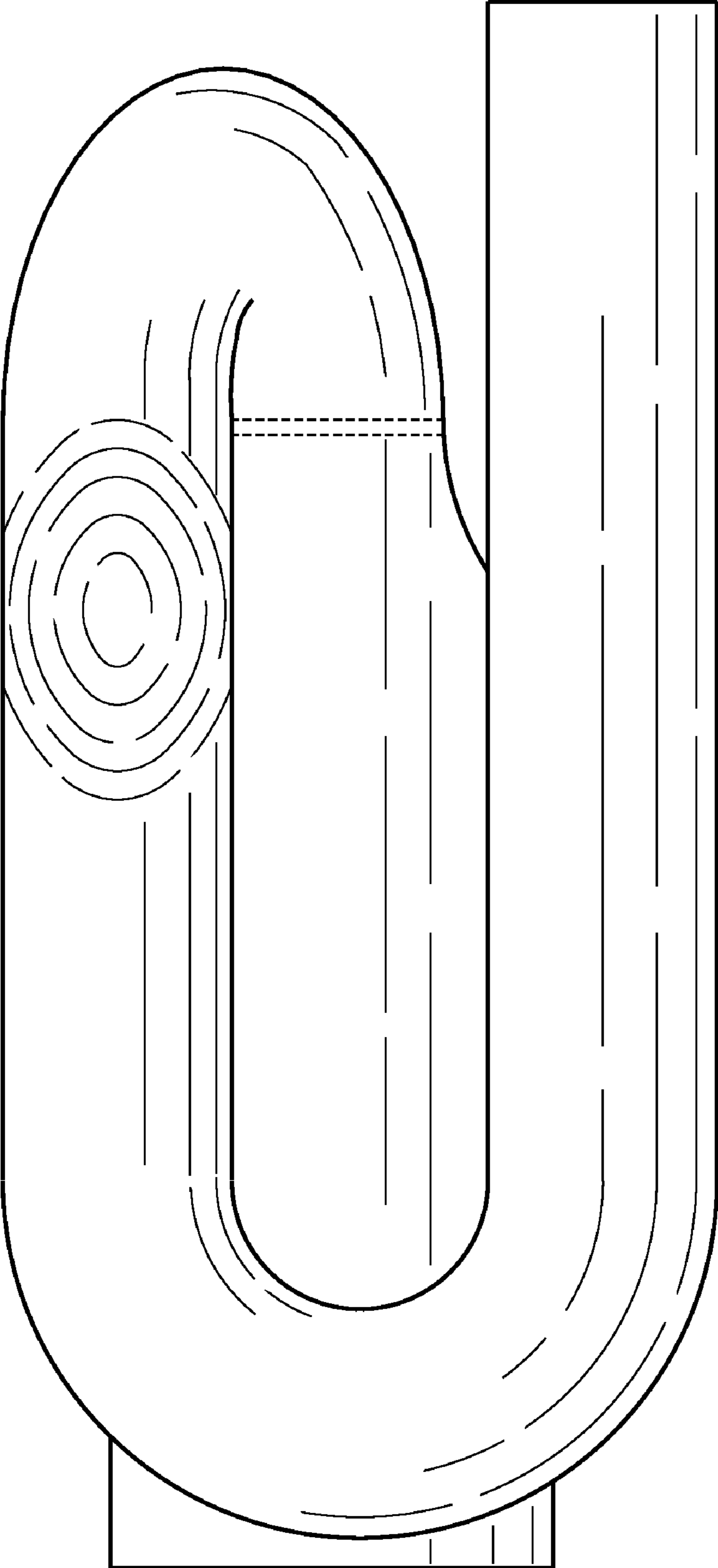
*Fig. 3*



*Fig. 4*



*Fig. 5*



*Fig. 6*