



US00D632130S

(12) **United States Design Patent**  
**Tetreault et al.**

(10) **Patent No.:** **US D632,130 S**  
(45) **Date of Patent:** **\*\* Feb. 8, 2011**

(54) **SLOW COOKER**

(75) Inventors: **Joel Tetreault**, Roswell, GA (US);  
**Sarah Pantaleo**, Sandy Springs, GA  
(US); **Lars Blacken**, Roswell, GA (US)

(73) Assignee: **Calphalon Corporation**, Atlanta, GA  
(US)

(\*\*) Term: **14 Years**

(21) Appl. No.: **29/377,568**

(22) Filed: **Oct. 22, 2010**

**Related U.S. Application Data**

(62) Division of application No. 29/352,941, filed on Dec. 30, 2009, now Pat. No. Des. 628,849.

(51) **LOC (9) Cl.** ..... **07-02**

(52) **U.S. Cl.** ..... **D7/357; D7/354**

(58) **Field of Classification Search** ..... D7/309,  
D7/323, 329-331, 339, 346-347, 350.1-350.4,  
D7/354-363; 99/324-325, 331-332, 337-339,  
99/369, 403-418; 219/405, 435-442, 620-624,  
219/725, 730-735; 220/912; 426/438, 441  
See application file for complete search history.

(56) **References Cited**

**U.S. PATENT DOCUMENTS**

D371,038 S \* 6/1996 Hsu ..... D7/350.3  
D402,848 S \* 12/1998 Piret ..... D7/356  
D443,466 S \* 6/2001 Wanat et al. .... D7/360  
D453,091 S \* 1/2002 Gouthiere ..... D7/360

D464,526 S \* 10/2002 Brown ..... D7/354  
D480,908 S \* 10/2003 Krasne ..... D7/354  
D488,951 S \* 4/2004 Josancy ..... D7/356  
D547,598 S \* 7/2007 Hasuike ..... D7/356  
D552,922 S \* 10/2007 Dallaire ..... D7/354  
7,291,812 B2 \* 11/2007 Kaney et al. .... 219/435  
D556,504 S \* 12/2007 Averty ..... D7/360  
D628,849 S \* 12/2010 Tetreault et al. .... D7/357  
2007/0210062 A1 \* 9/2007 Gaynor et al. .... 219/442

\* cited by examiner

*Primary Examiner*—Ricky Pham

(74) *Attorney, Agent, or Firm*—Gardner Groff Greenwald & Villanueva, P.C.

(57) **CLAIM**

The ornamental design for a slow cooker, as shown and described.

**DESCRIPTION**

FIG. 1 is a perspective view of a slow cooker according to the present invention.

FIG. 2 is a front view of the slow cooker of FIG. 1.

FIG. 3 is a rear view of the slow cooker of FIG. 1.

FIG. 4 is a top view of the slow cooker of FIG. 1.

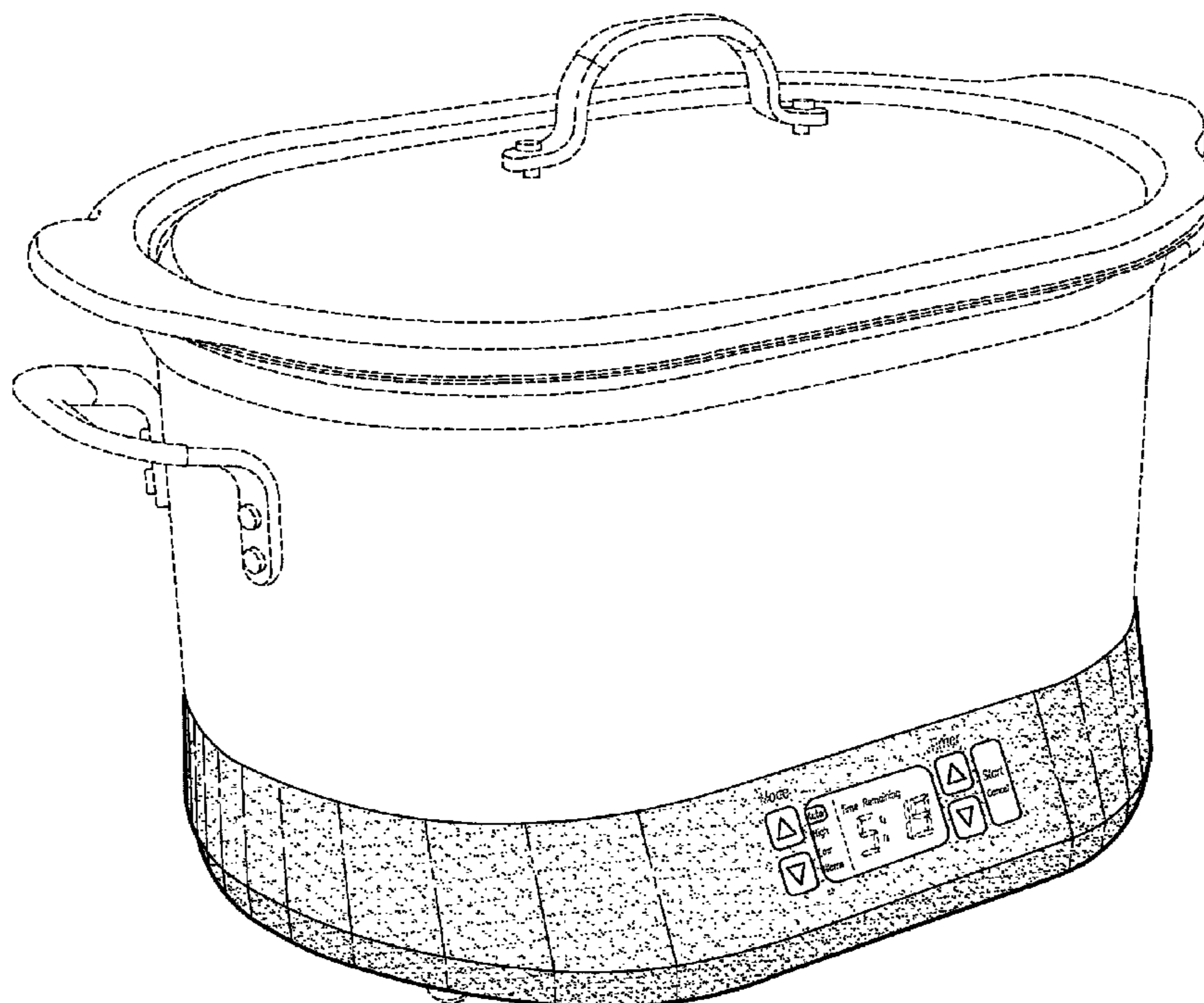
FIG. 5 is a bottom view of the slow cooker of FIG. 1.

FIG. 6 is a left side view of the slow cooker of FIG. 1; and,

FIG. 7 is a right side view of the slow cooker of FIG. 1.

The broken lines of FIGS. 1-7 are for illustrative purposes only and form no part of the claimed design.

**1 Claim, 7 Drawing Sheets**



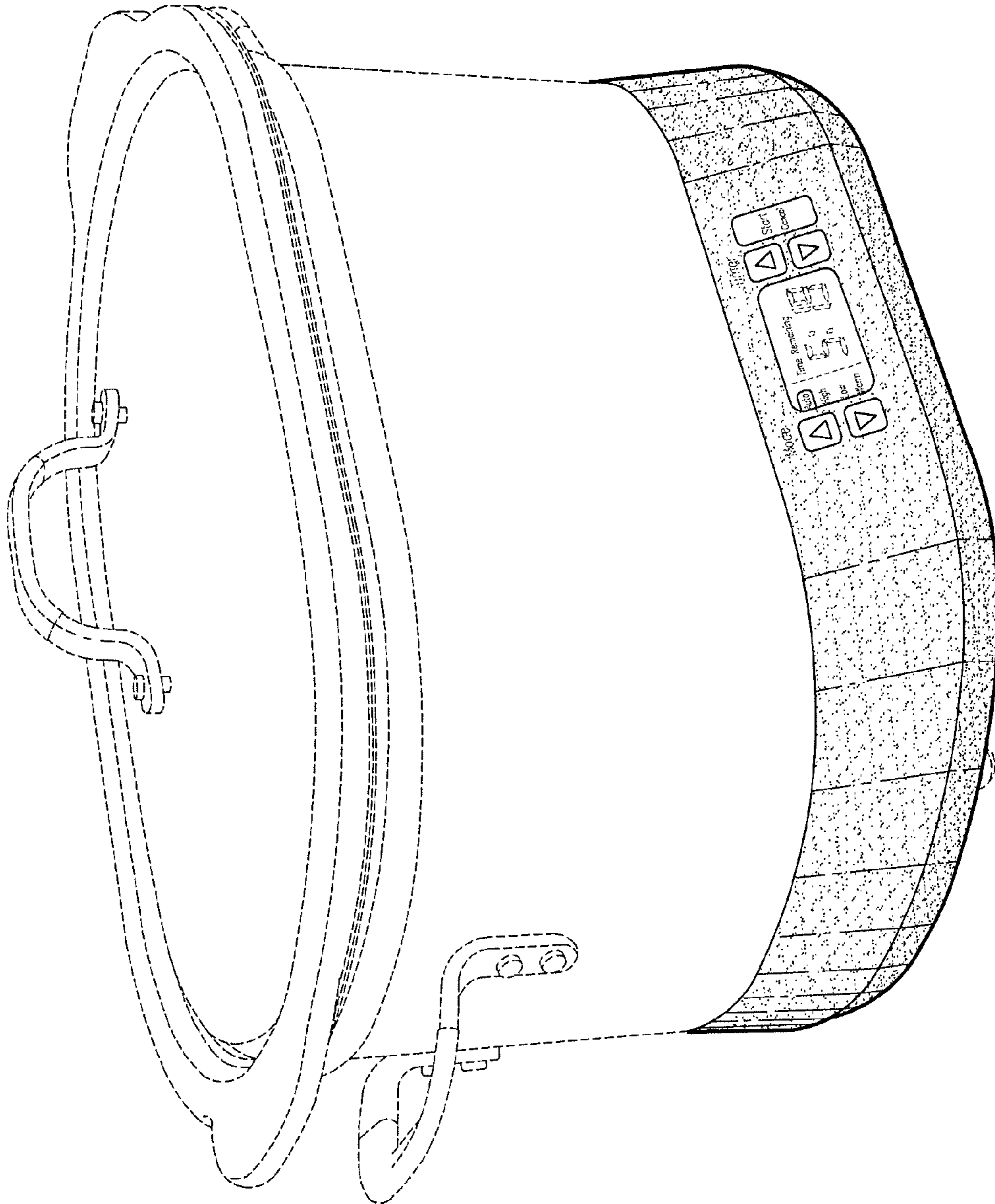


FIG. 1

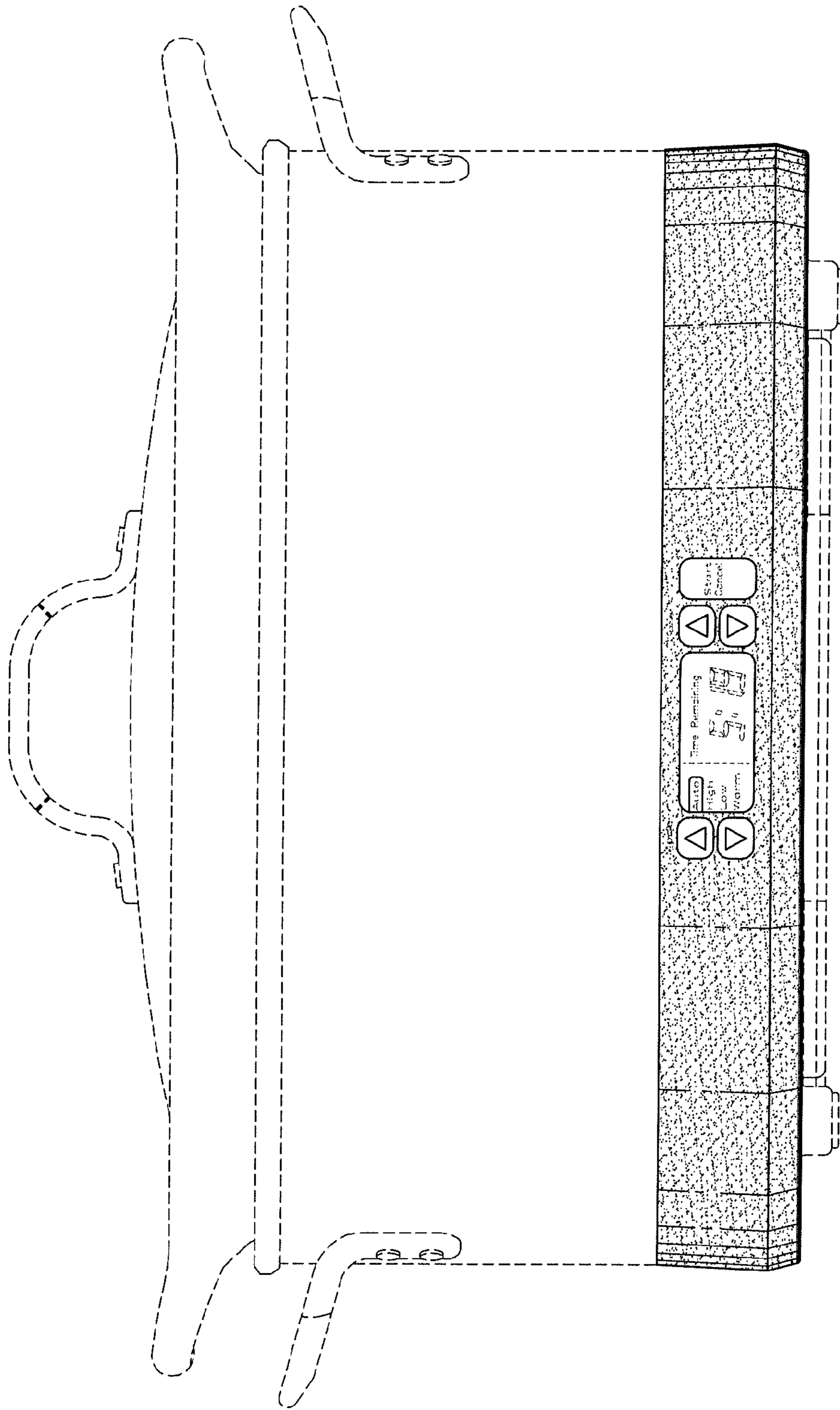


FIG. 2

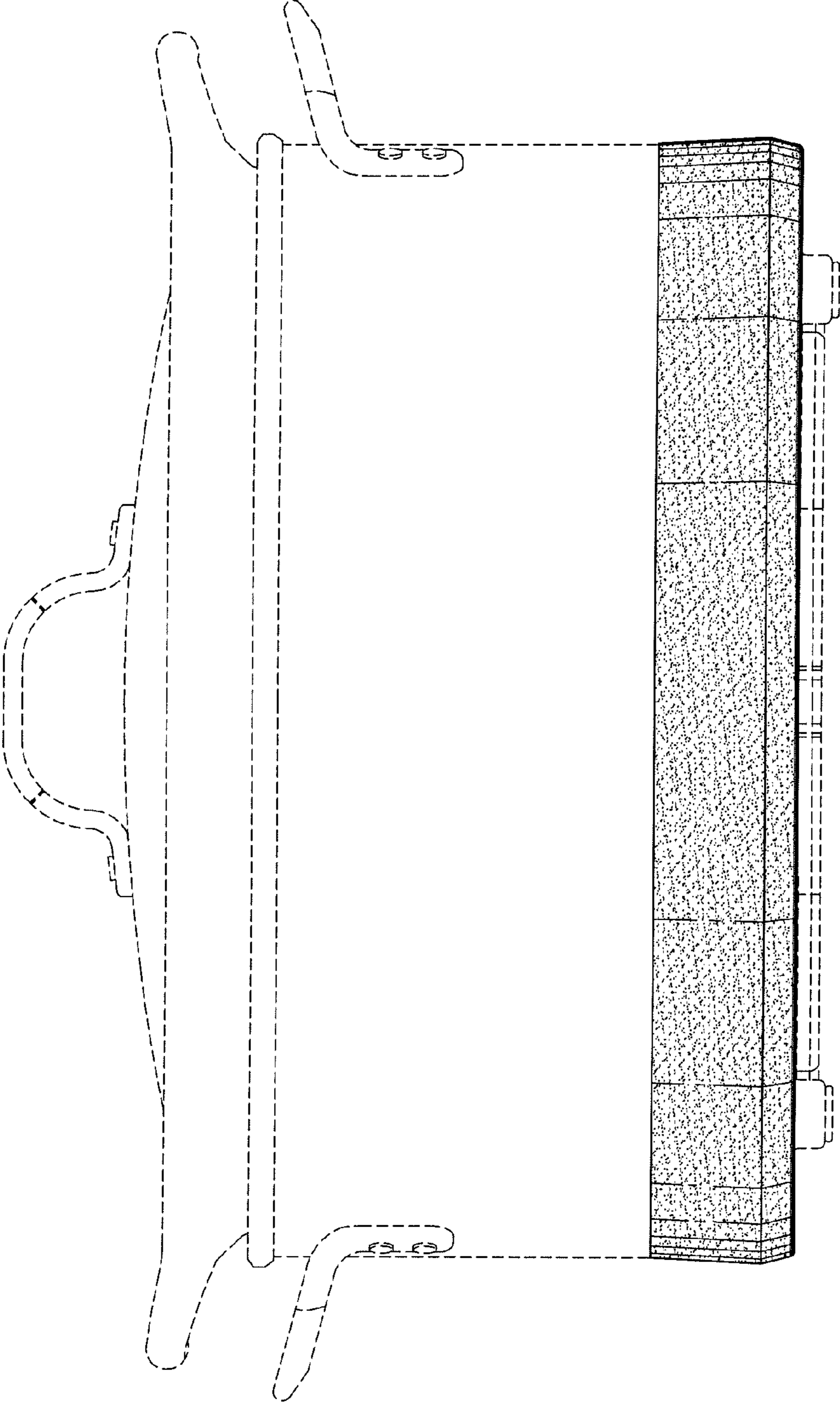


FIG. 3

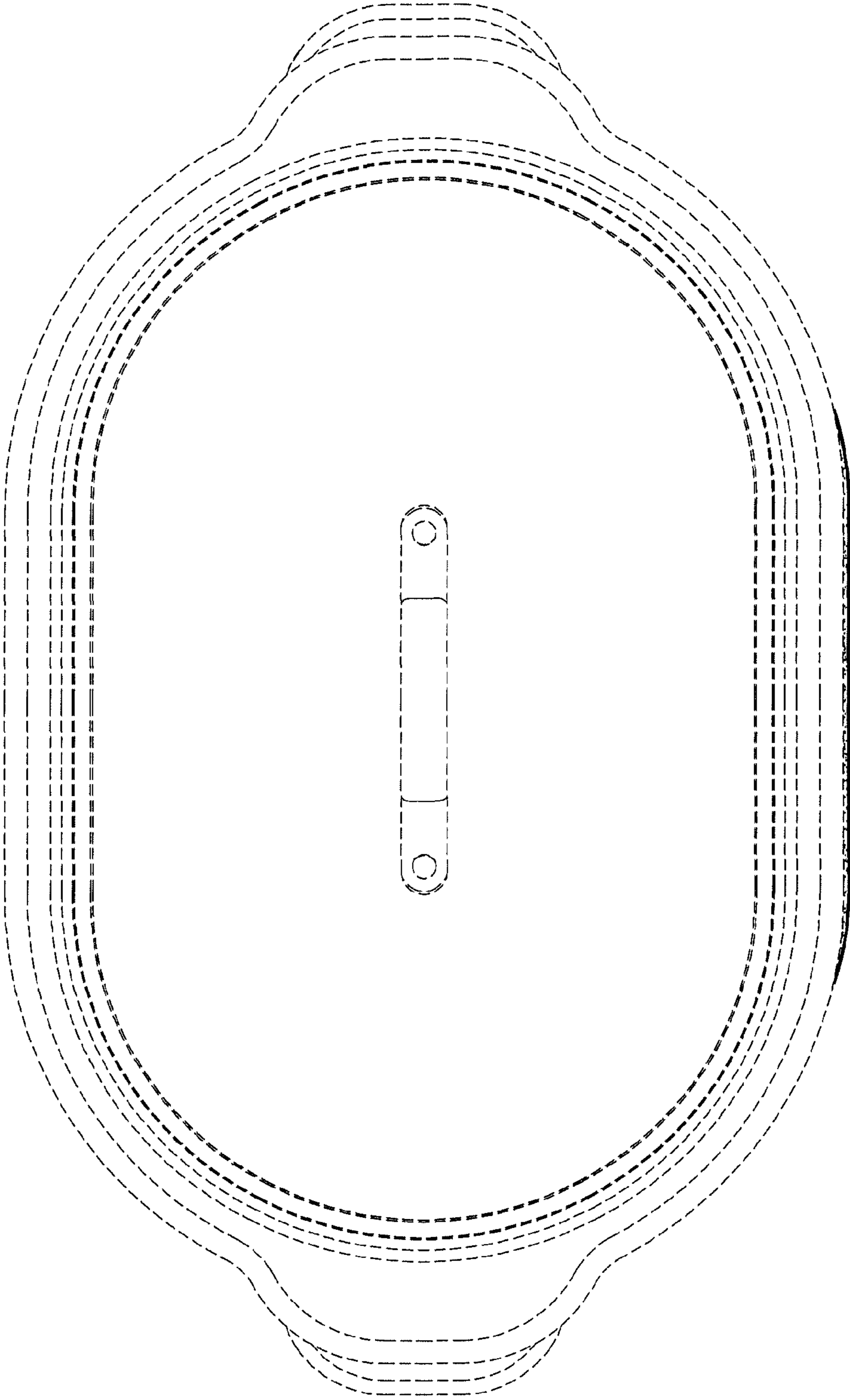


FIG. 4

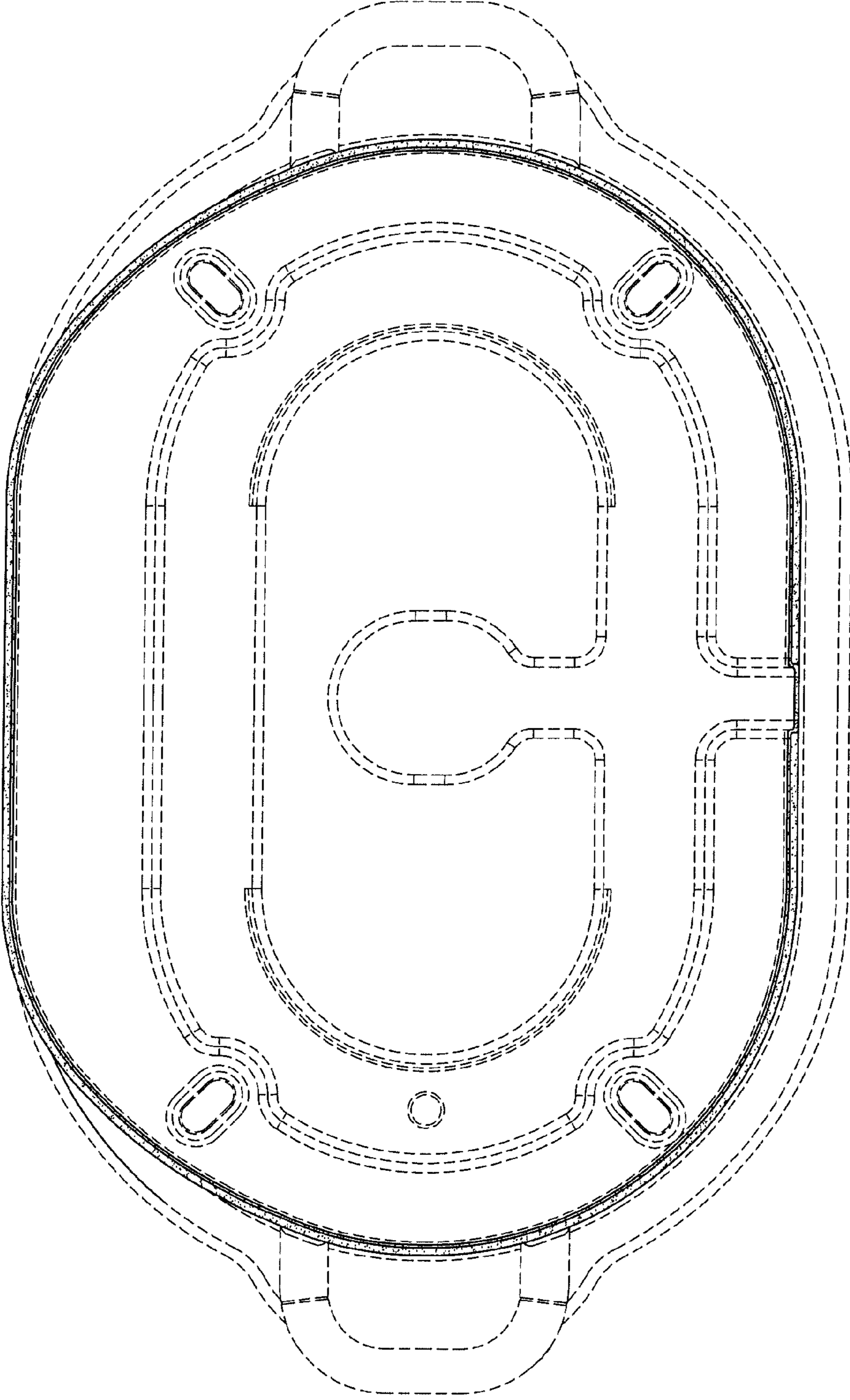


FIG. 5

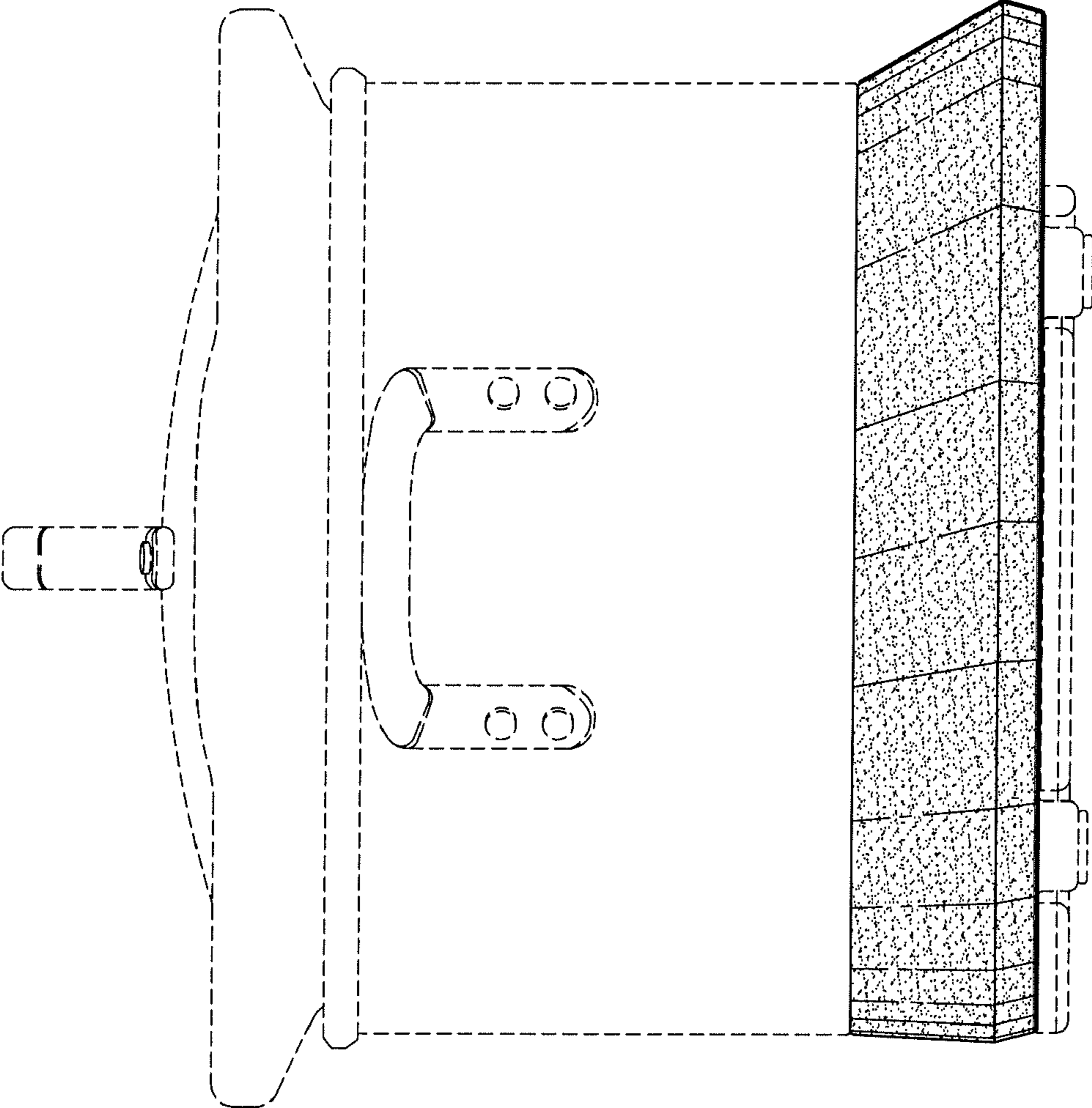


FIG. 6

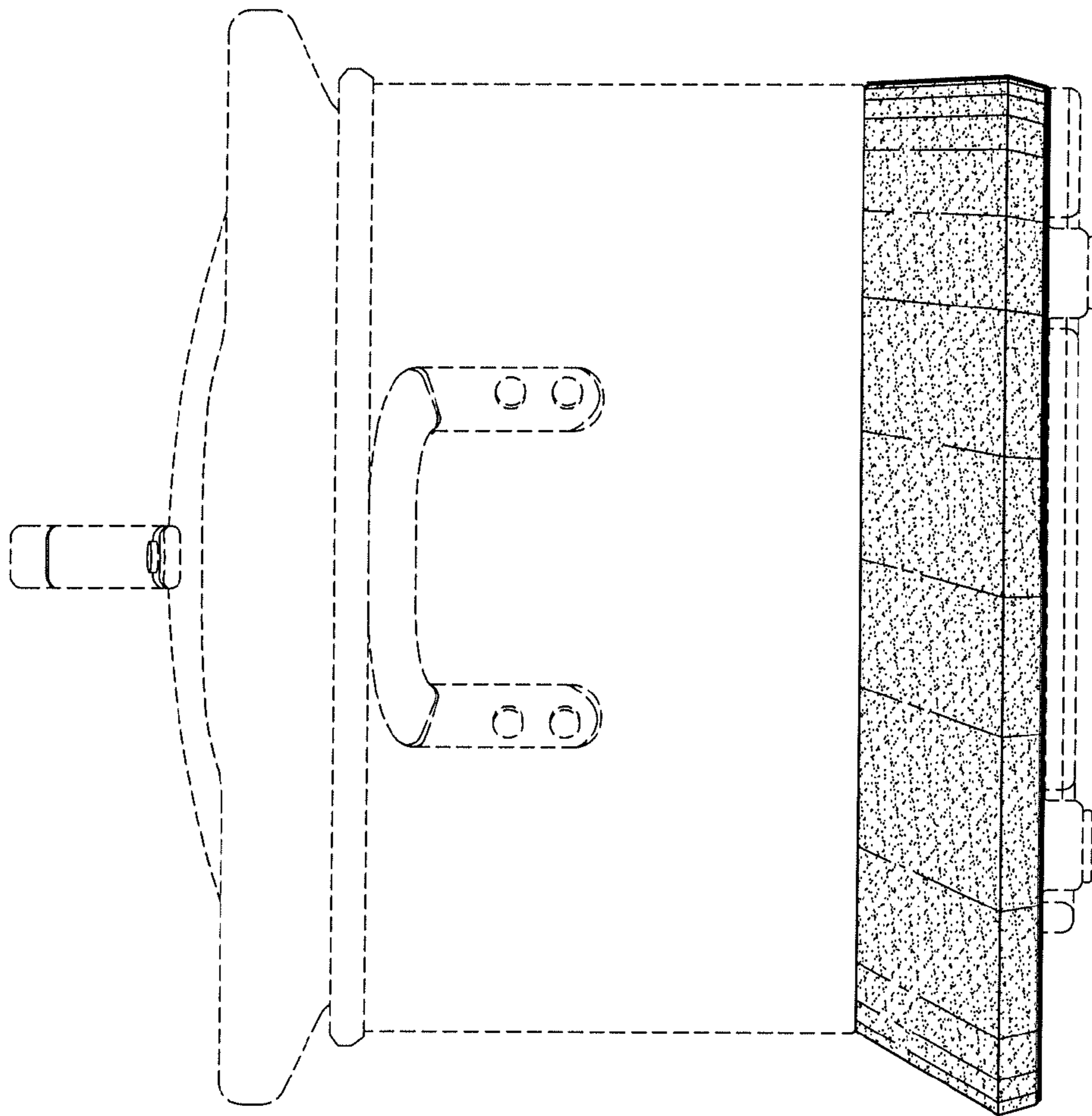


FIG. 7