



US00D632129S

(12) **United States Design Patent**  
**Chen**

(10) **Patent No.:** **US D632,129 S**  
(45) **Date of Patent:** **\*\* Feb. 8, 2011**

(54) **STEAMER FOR FOOD**

(75) Inventor: **Rui Yuan Chen**, Orlando, FL (US)

(73) Assignee: **Dart Industries Inc.**, Orlando, FL (US)

(\*\*) Term: **14 Years**

(21) Appl. No.: **29/316,850**

(22) Filed: **Nov. 6, 2009**

(51) **LOC (9) Cl.** ..... **07-03**

(52) **U.S. Cl.** ..... **D7/356; D7/354**

(58) **Field of Classification Search** ..... D7/323,  
D7/330-331, 339, 347, 350-367, 378-379,  
D7/383-384, 391-395, 542-545, 560, 667;  
99/324-325, 329 R, 330-339, 400, 412-413,  
99/425; 119/161; 206/508; 219/432-433,  
219/438-441, 620-622, 725-730; 220/203.1,  
220/203.07, 203.09, 298, 303, 316, 356.1,  
220/442-443, 573.1-574, 769, 912; 426/112,  
426/438, 441

See application file for complete search history.

(56) **References Cited**

**U.S. PATENT DOCUMENTS**

1,190,203	A *	7/1916	Sorge, Jr.	206/508
3,578,467	A *	5/1971	Huber	426/112
D253,574	S	12/1979	Anderson, Jr.	
D255,751	S *	7/1980	Daenen	D7/667
D281,214	S *	11/1985	Schaller	D7/356
D310,463	S	9/1990	Laib	
D383,031	S *	9/1997	Cousins	D7/354
D391,440	S *	3/1998	Cousins	D7/360
D396,600	S	8/1998	Otero	
D435,392	S *	12/2000	Jo	D7/356
D449,958	S	11/2001	Liu	

D499,601	S *	12/2004	Hou	D7/354
7,114,459	B2 *	10/2006	Schmidt et al.	119/161
D557,972	S	12/2007	Ablo	
D613,131	S *	4/2010	Chen et al.	D7/667

**OTHER PUBLICATIONS**

Author: Heather Z; Bamboo Steamers; bebopveganblogspot; Aug. 30, 2008.

\* cited by examiner

*Primary Examiner*—Ricky Pham

(74) *Attorney, Agent, or Firm*—John A. Doninger

(57) **CLAIM**

The ornamental design for a steamer for food, as shown and described.

**DESCRIPTION**

FIG. 1 is a top, side and front perspective view of a steamer for food showing my new design;

FIG. 2 is a bottom, side and front perspective view thereof;

FIG. 3 is a front elevation view, the rear elevation being identical thereto;

FIG. 4 is a right side elevation view, the left side elevation being identical thereto;

FIG. 5 is a top plan view thereof;

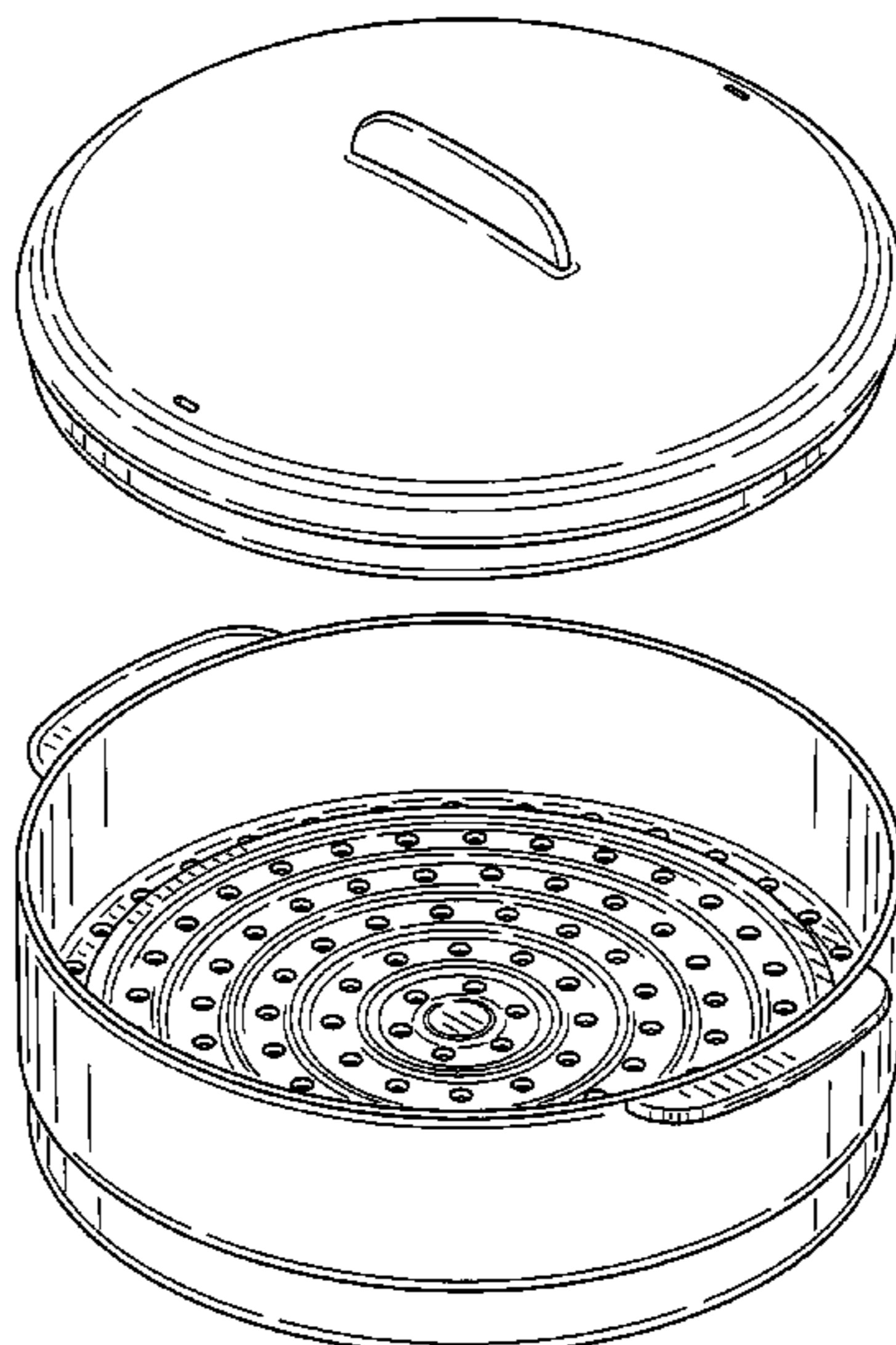
FIG. 6 is a bottom plan view thereof;

FIG. 7 is an exploded perspective view of the steamer for food shown in FIG. 1;

FIG. 8 is a cross-sectional view along line 8—8 of FIG. 5; and,

FIG. 9 is a cross-sectional view along line 9—9 of FIG. 5.

**1 Claim, 5 Drawing Sheets**



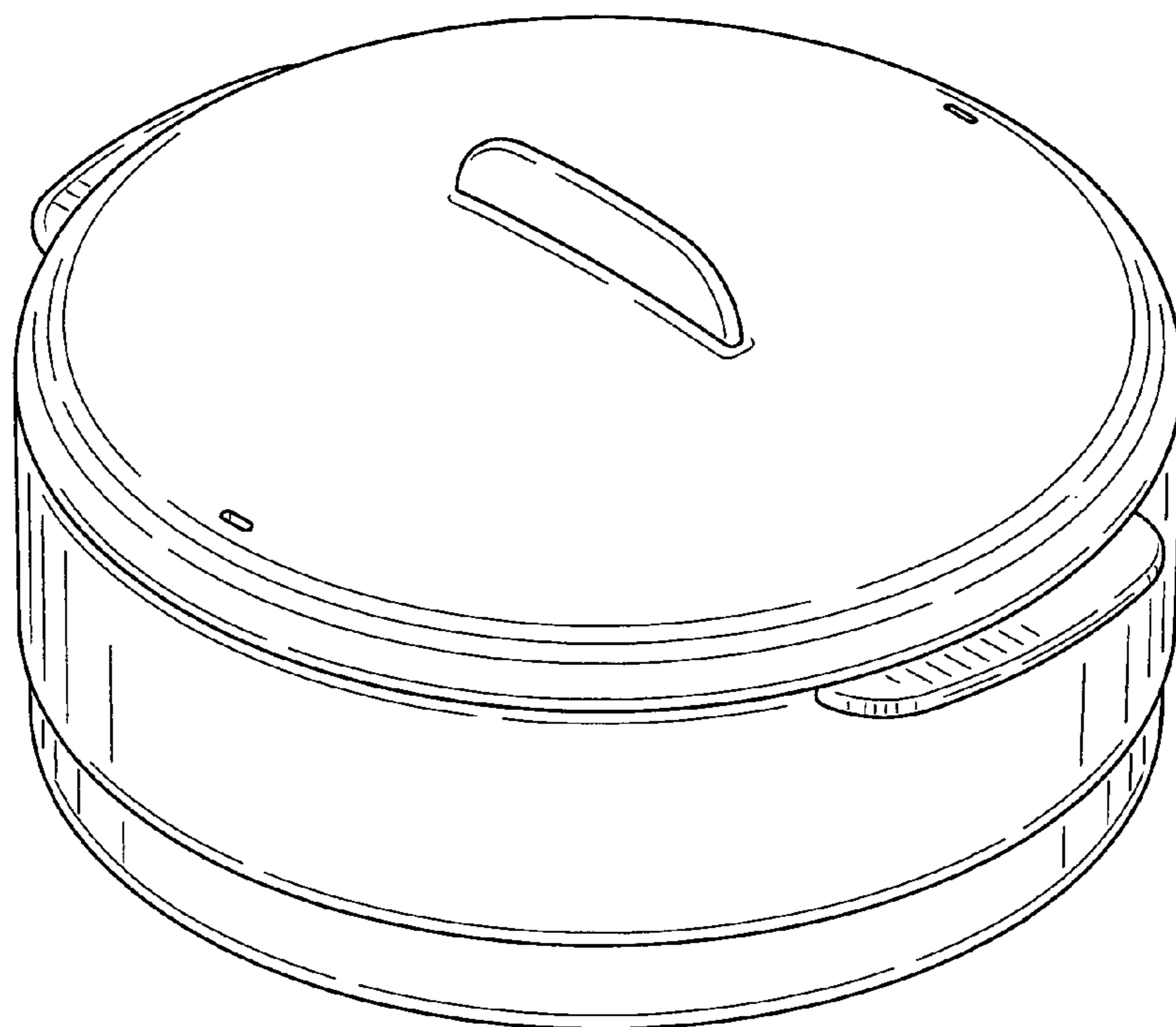


FIG. 1

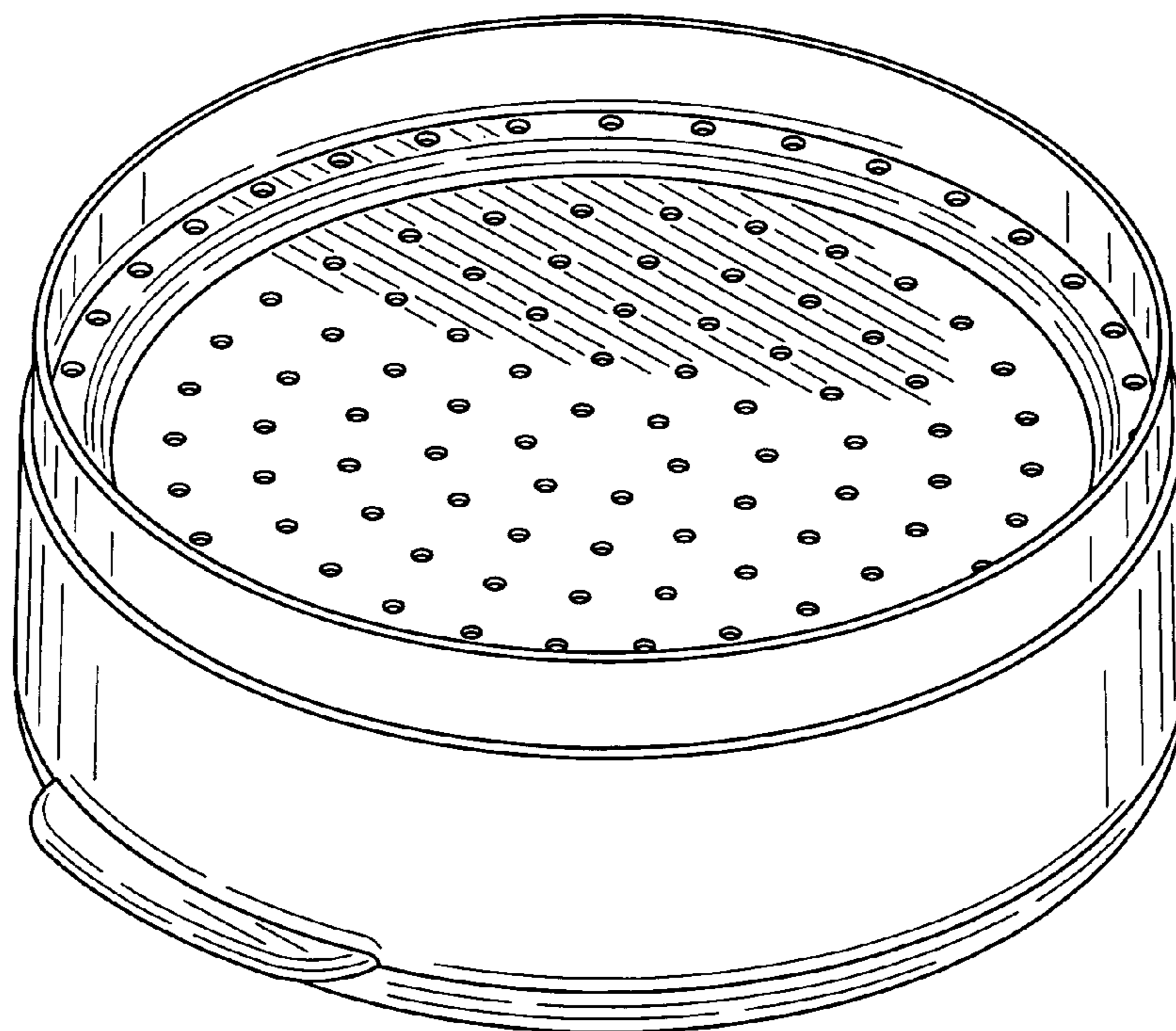
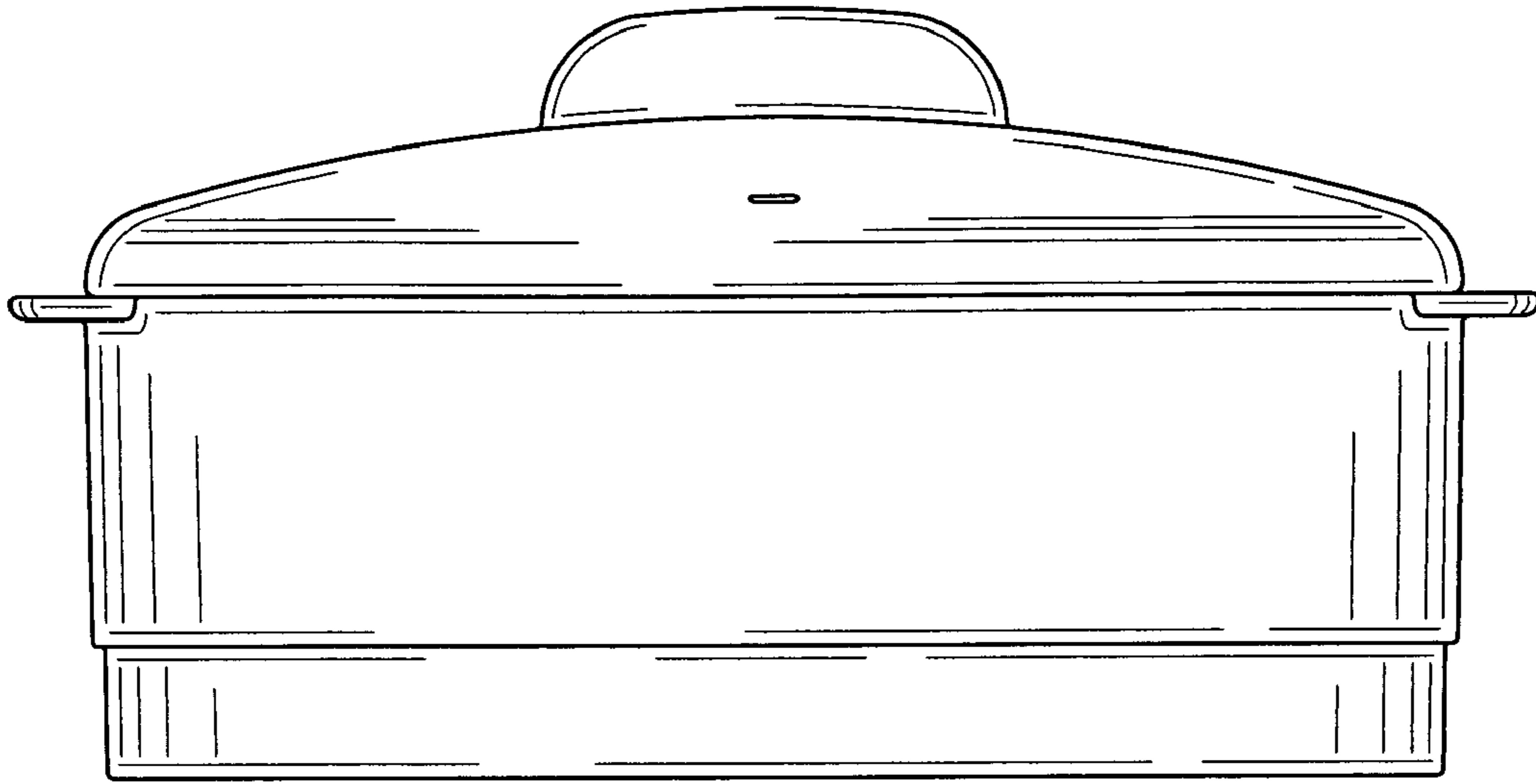
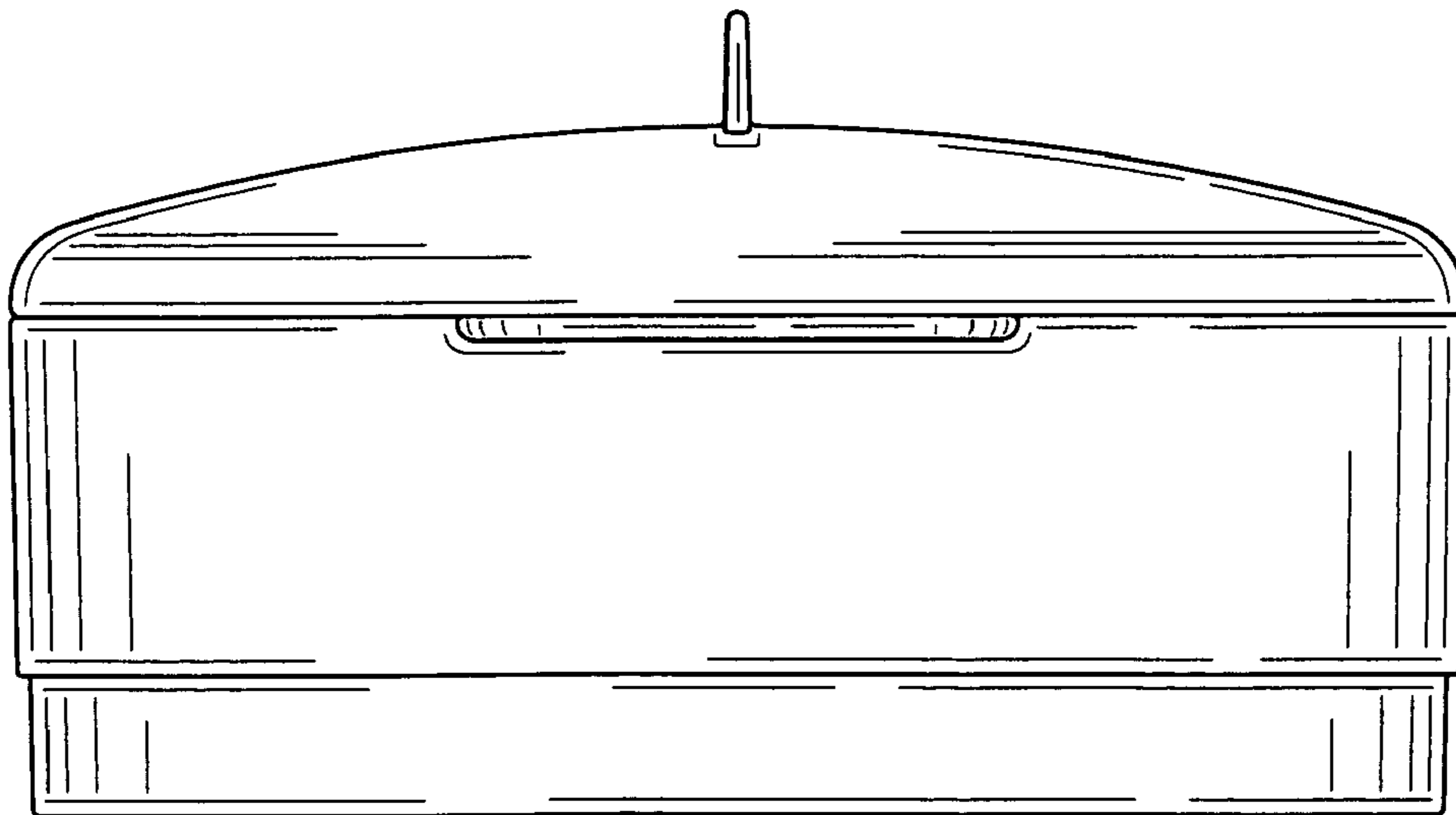


FIG. 2



*FIG. 3*



*FIG. 4*

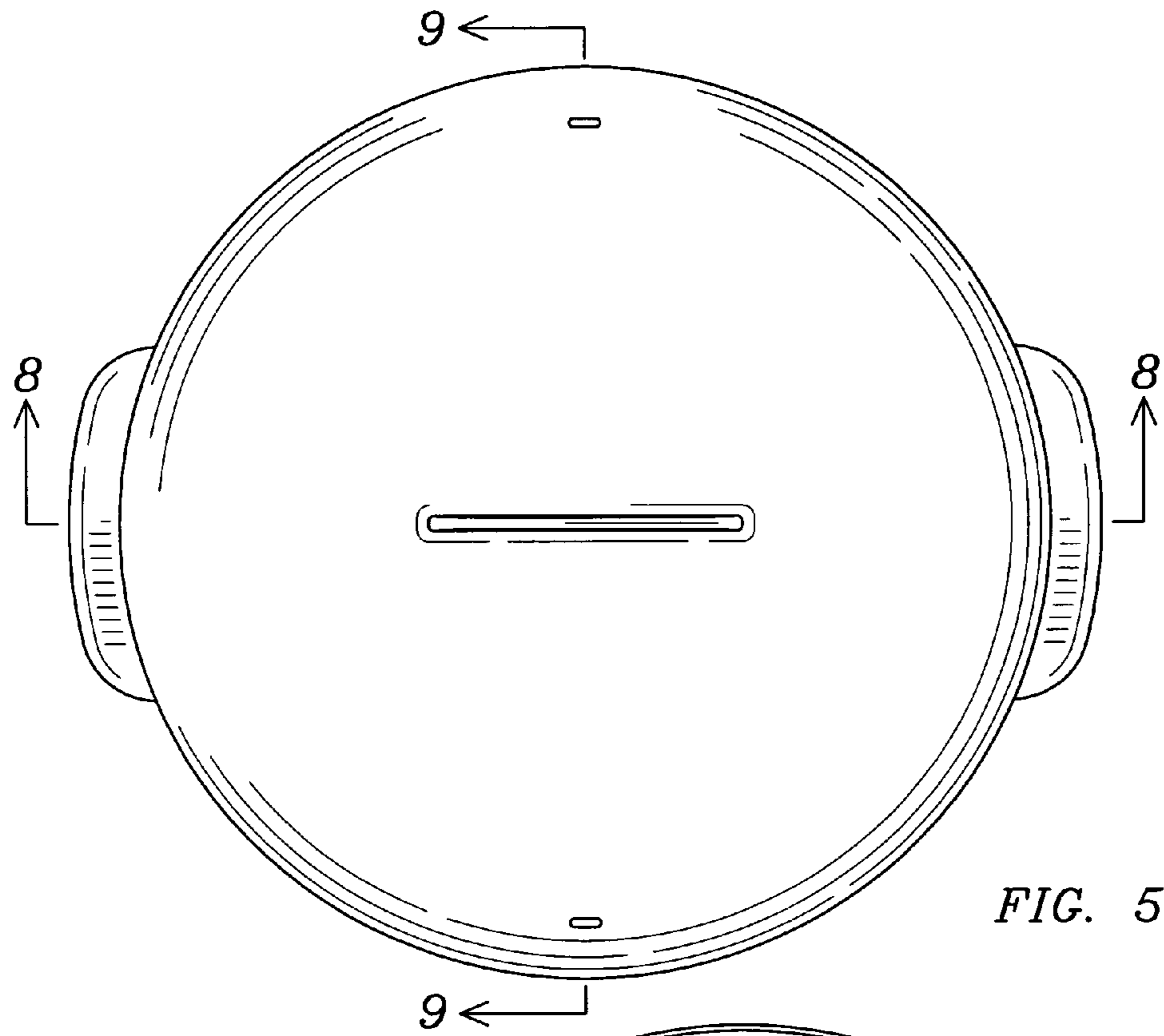


FIG. 5

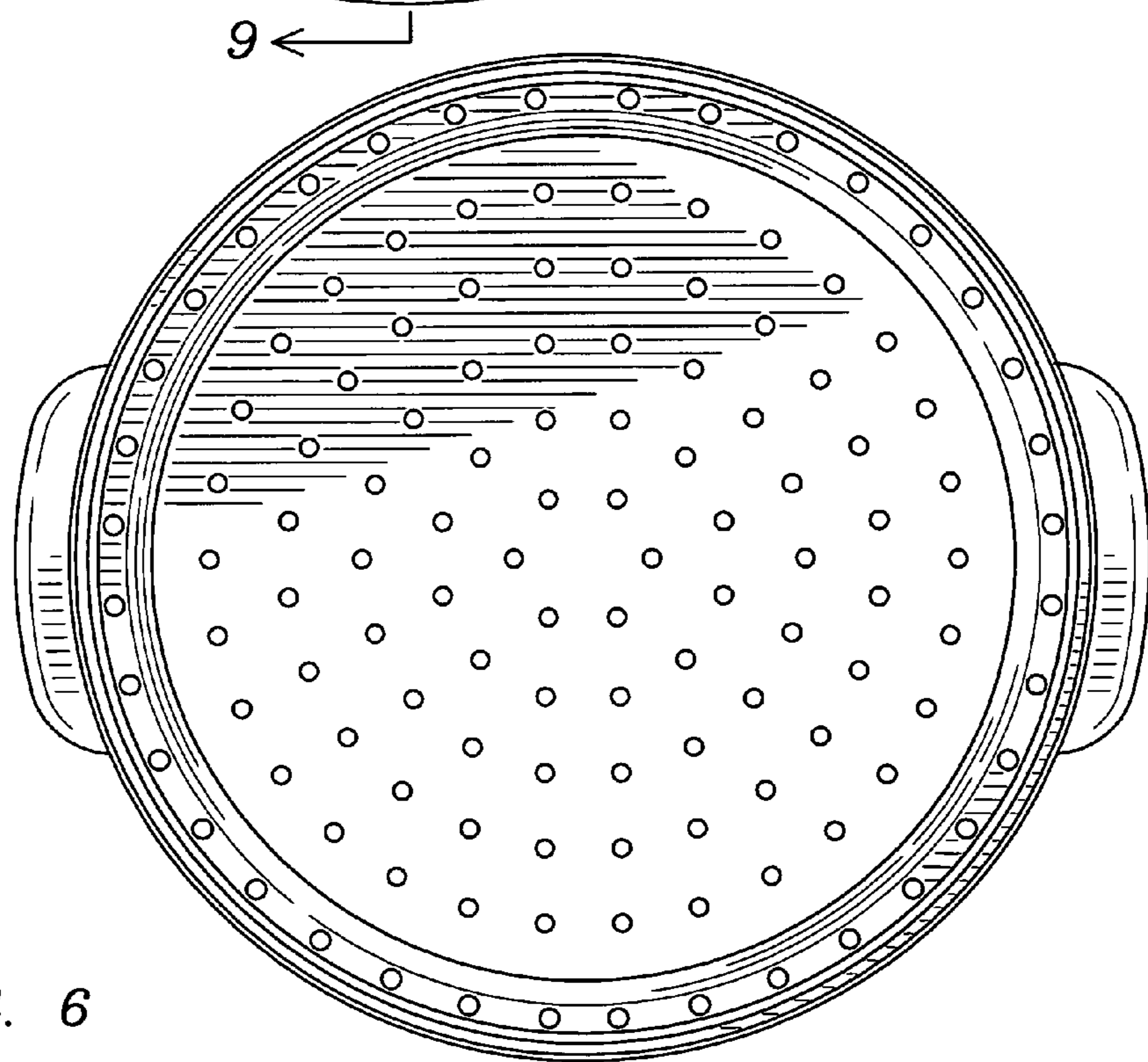


FIG. 6

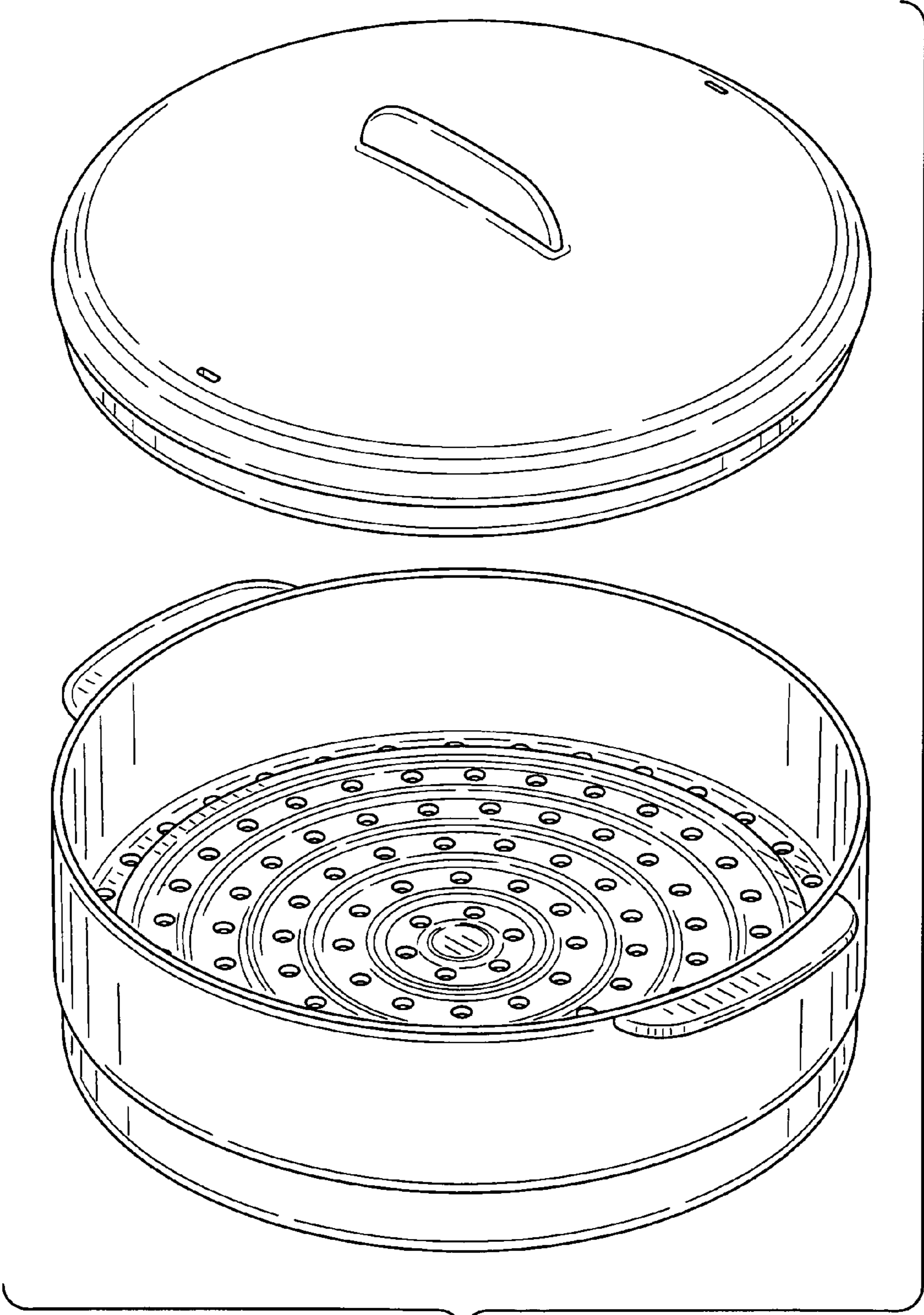


FIG. 7

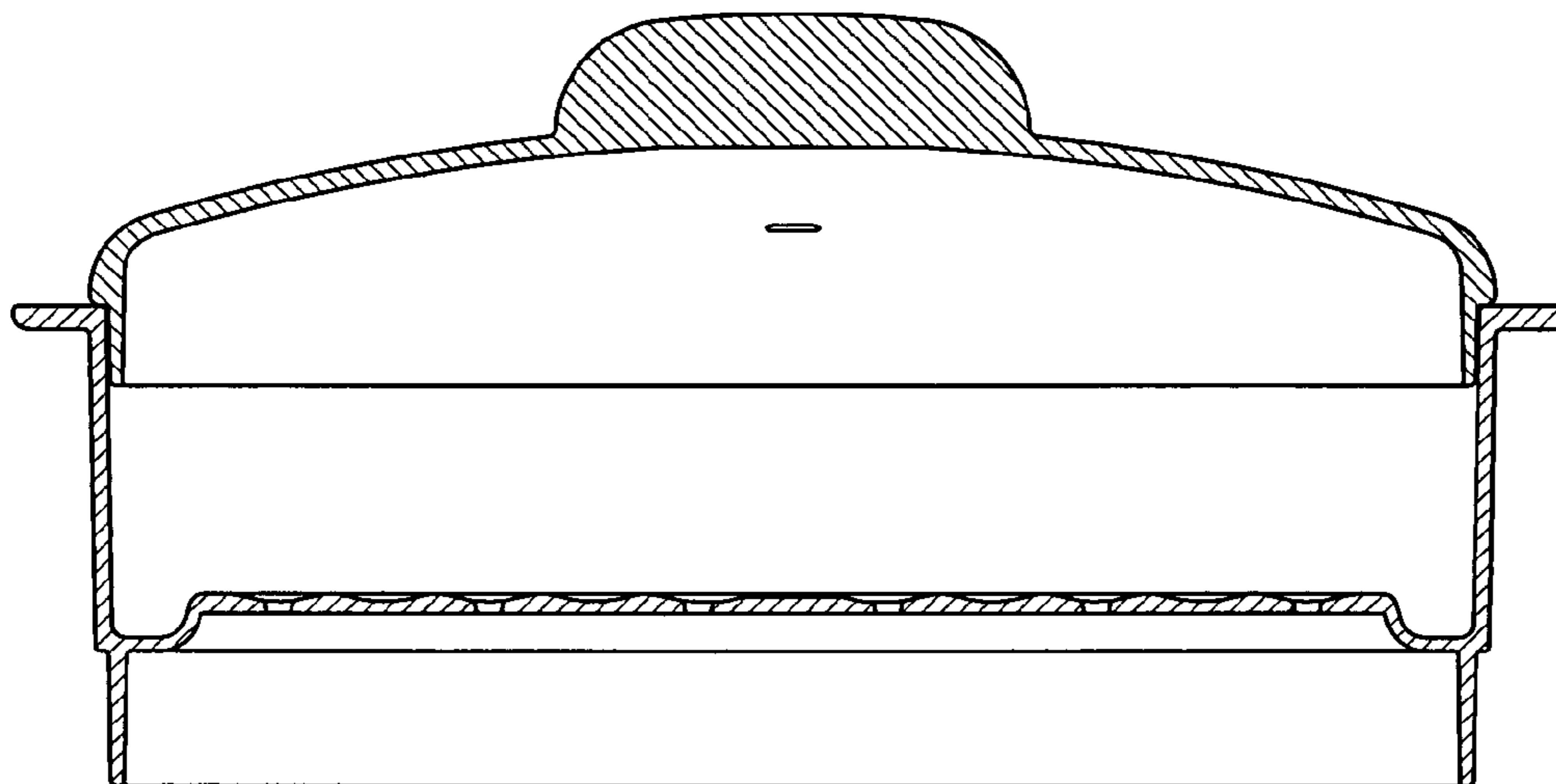


FIG. 8

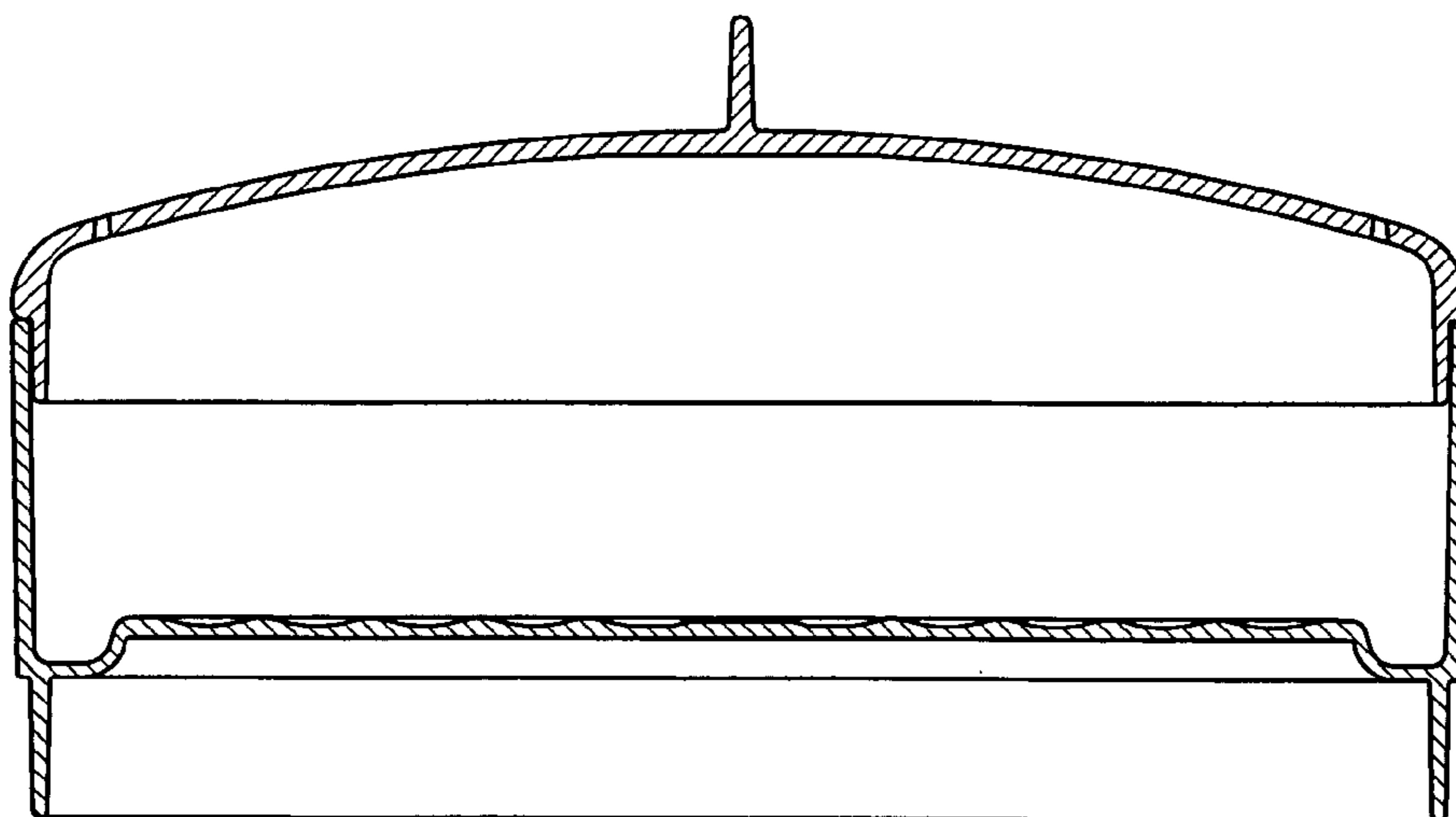


FIG. 9