



US00D632127S

(12) **United States Design Patent**
Whitcombe

(10) **Patent No.:** **US D632,127 S**
(45) **Date of Patent:** **** Feb. 8, 2011**

(54) **GRILL**
(75) Inventor: **Mark Whitcombe**, Kensington (AU)
(73) Assignee: **Sunbeam Corporation Limited**, Botany (AU)
(**) Term: **14 Years**
(21) Appl. No.: **29/360,666**
(22) Filed: **Apr. 29, 2010**

(30) **Foreign Application Priority Data**
Oct. 29, 2009 (AU) 14265/2009

(51) **LOC (9) Cl.** **07-02**
(52) **U.S. Cl.** **D7/352**
(58) **Field of Classification Search** D7/323,
D7/328-332, 334-341, 347-348, 350.1, 351-363;
99/324-325, 331, 339-340, 349, 353, 369,
99/372-377, 385-389, 392, 425, 444; 219/524-525,
219/620-622, 732-734
See application file for complete search history.

(56) **References Cited**
U.S. PATENT DOCUMENTS
D436,794 S * 1/2001 McClean D7/352

D452,109 S * 12/2001 Hensel D7/352
6,439,108 B1 * 8/2002 Wu 99/349
D479,665 S * 9/2003 Barker D7/352
D509,703 S * 9/2005 Barker D7/352
D528,350 S * 9/2006 McHutchison D7/352
D539,074 S * 3/2007 Lubowicki D7/352
D572,968 S * 7/2008 Doo D7/352
2005/0139086 A1 * 6/2005 McHutchison 99/389

* cited by examiner
Primary Examiner—Ricky Pham
(74) *Attorney, Agent, or Firm*—Schwegman, Lundberg & Woessner, P.A.

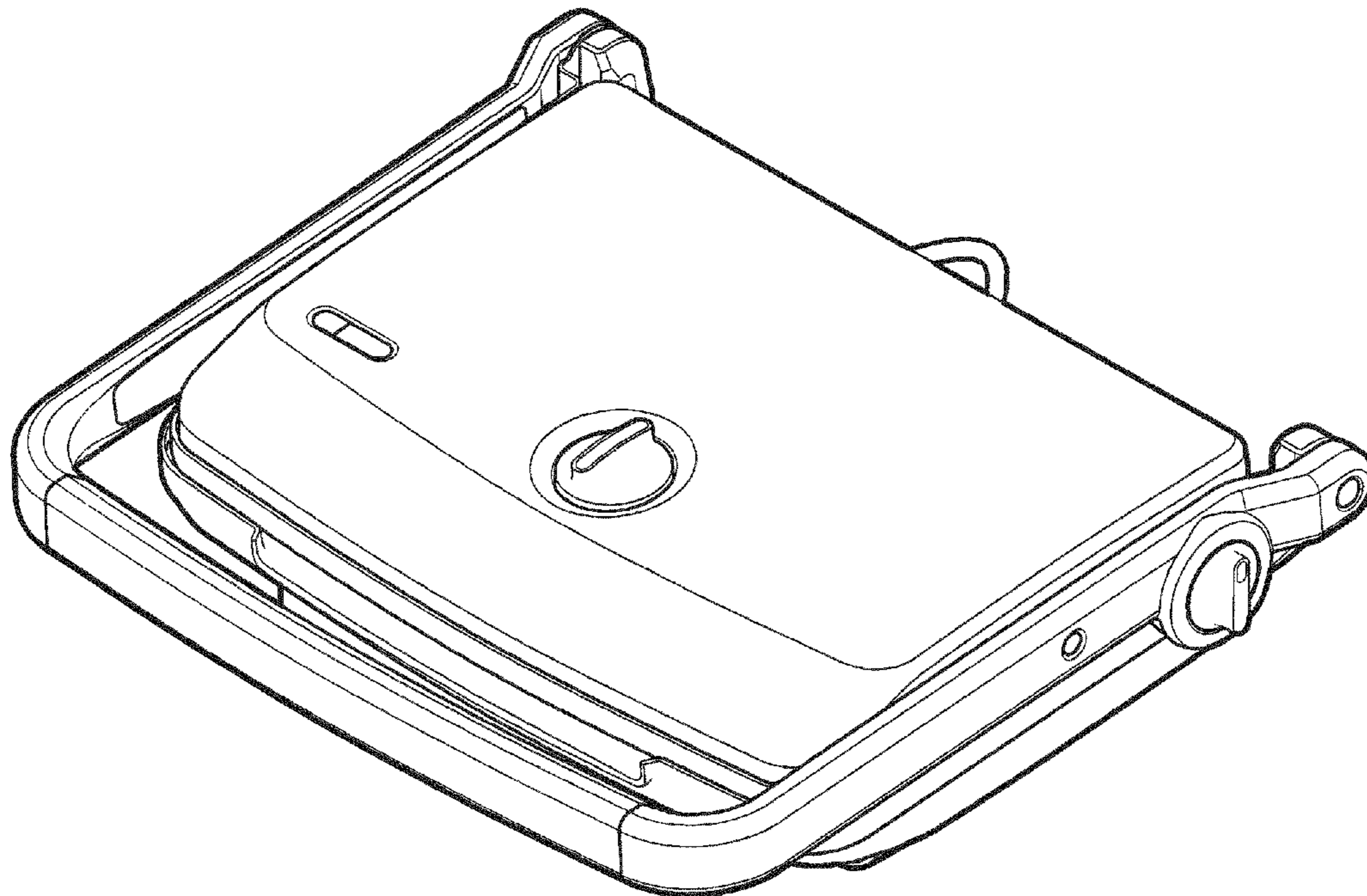
(57) **CLAIM**

The ornamental design for a grill, as shown.

DESCRIPTION

FIG. 1 is a top plan view of a grill, showing my new design;
FIG. 2 is a front elevational view thereof;
FIG. 3 is a right side elevational view thereof;
FIG. 4 is a left side elevational view thereof;
FIG. 5 is a bottom plan view thereof;
FIG. 6 is a top right isometric view thereof; and,
FIG. 7 is a bottom right isometric view thereof.

1 Claim, 7 Drawing Sheets



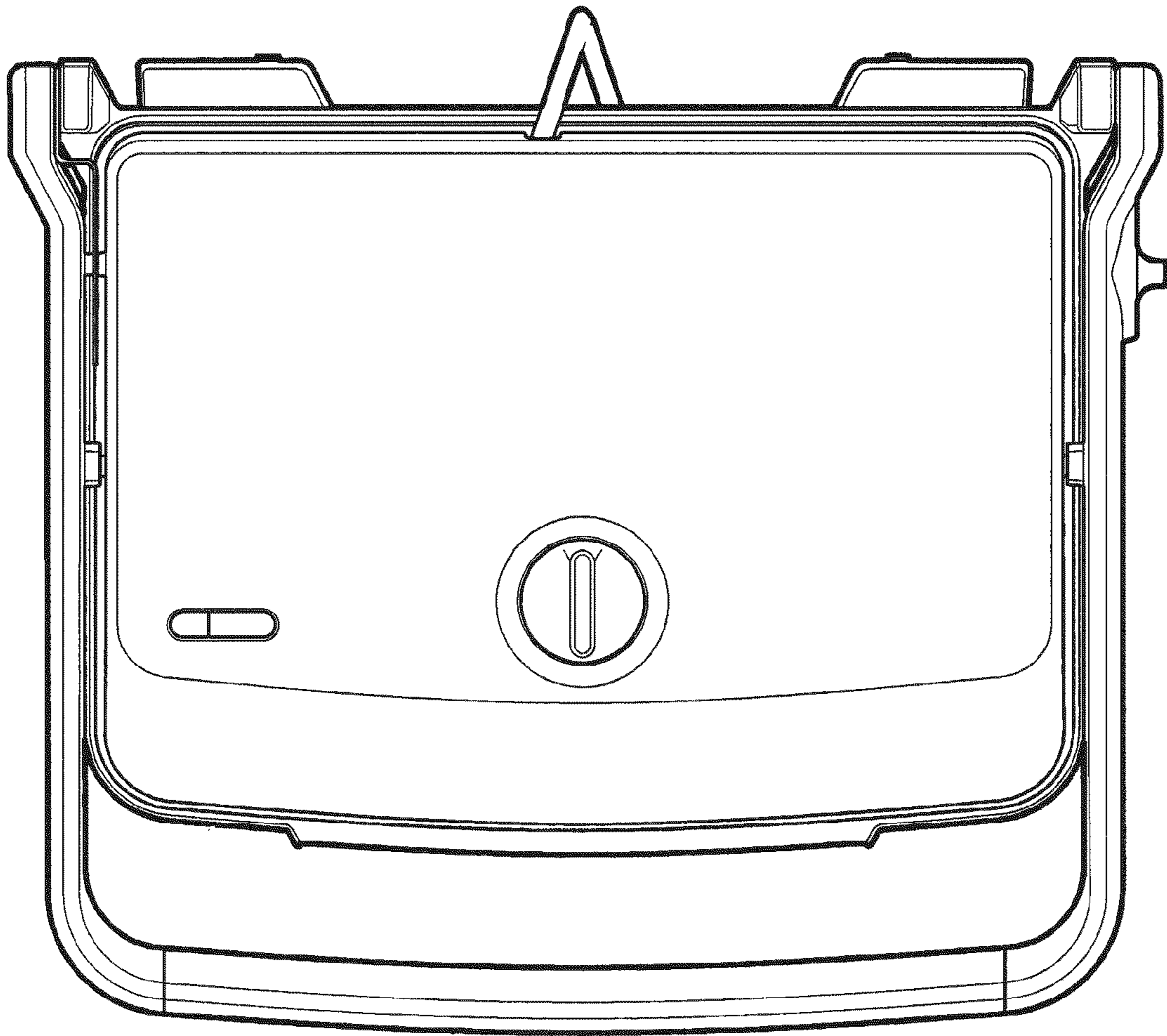


FIG. 1

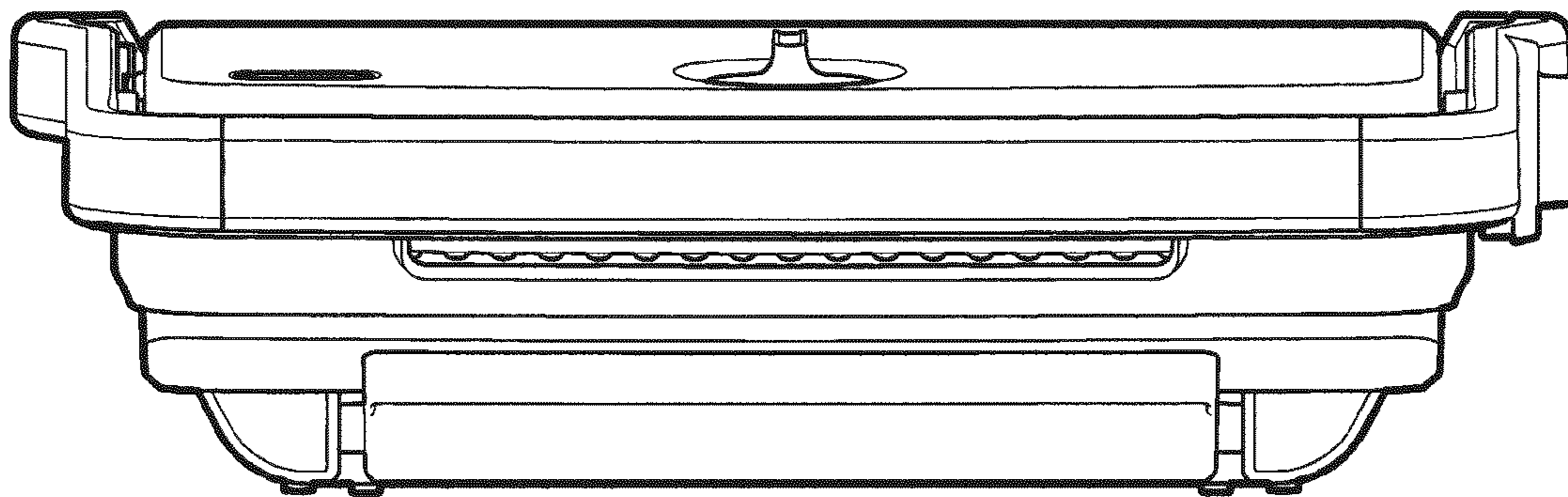


FIG. 2

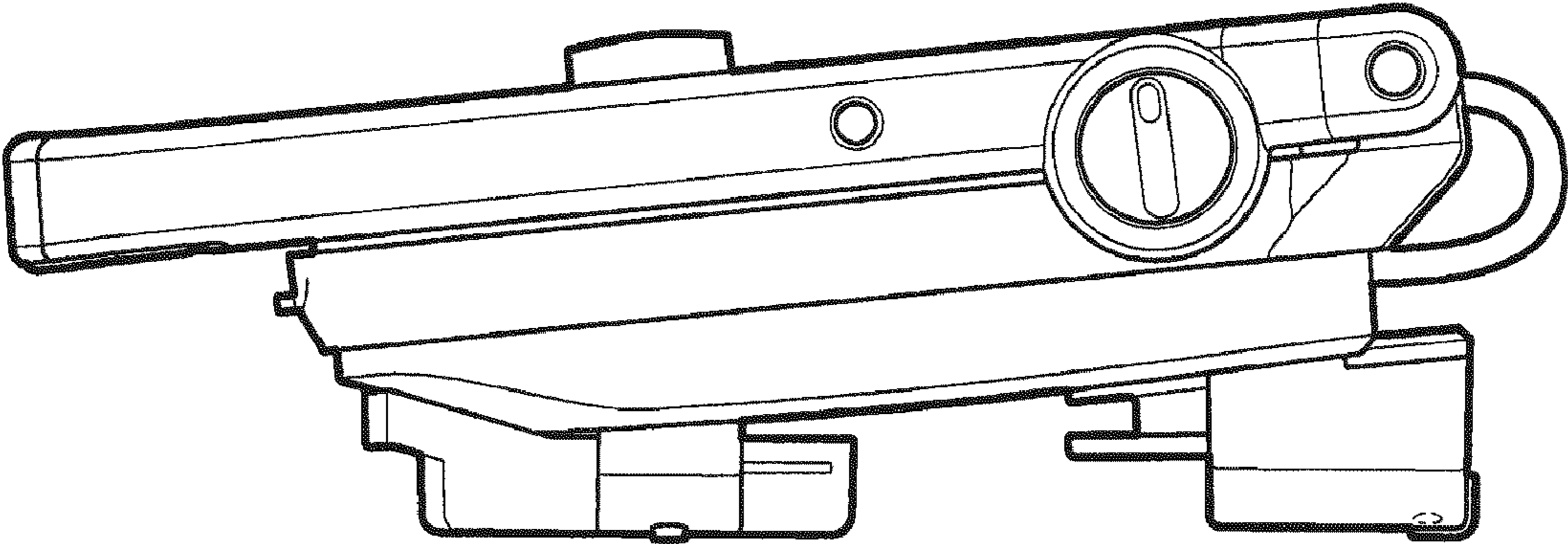


FIG. 3

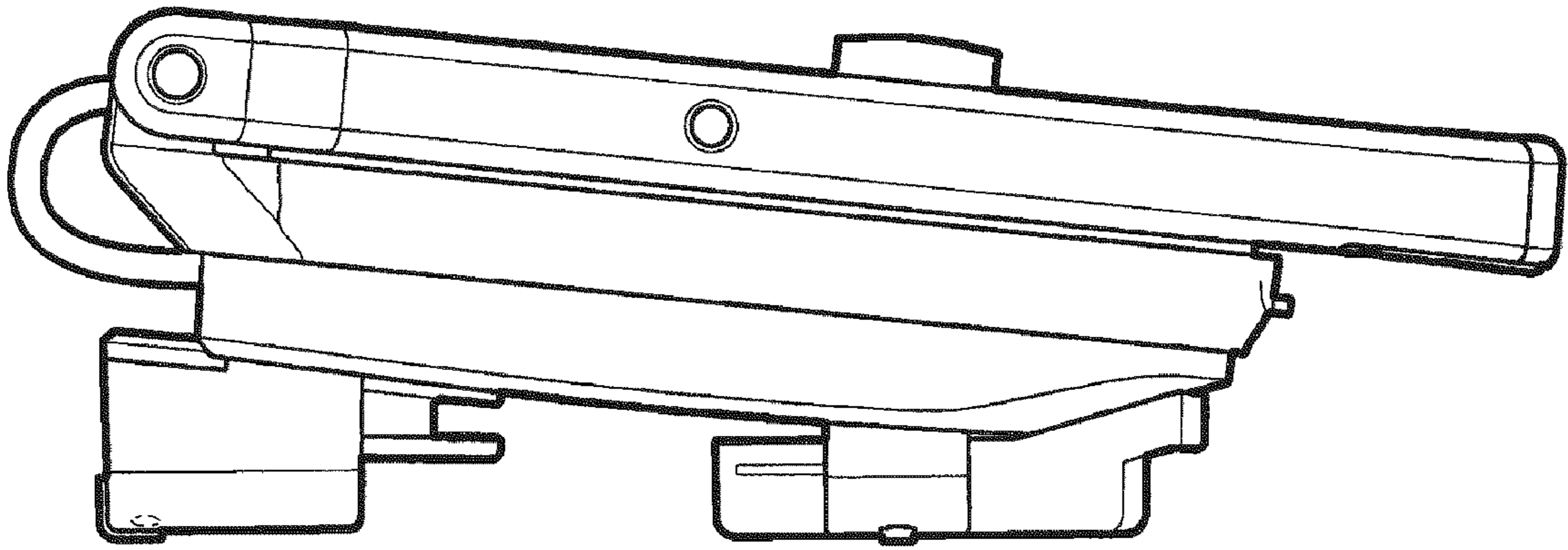


FIG. 4

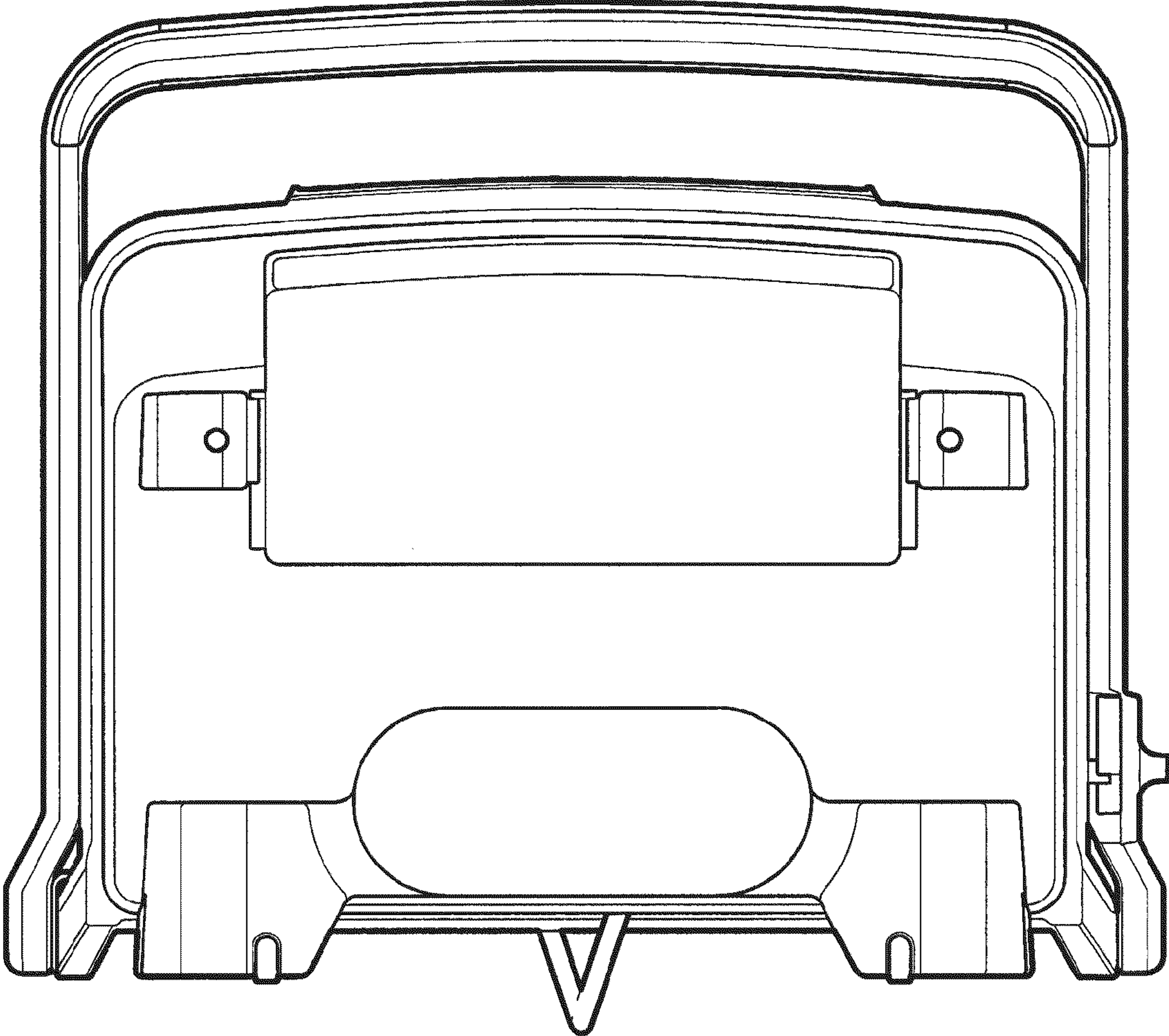


FIG. 5

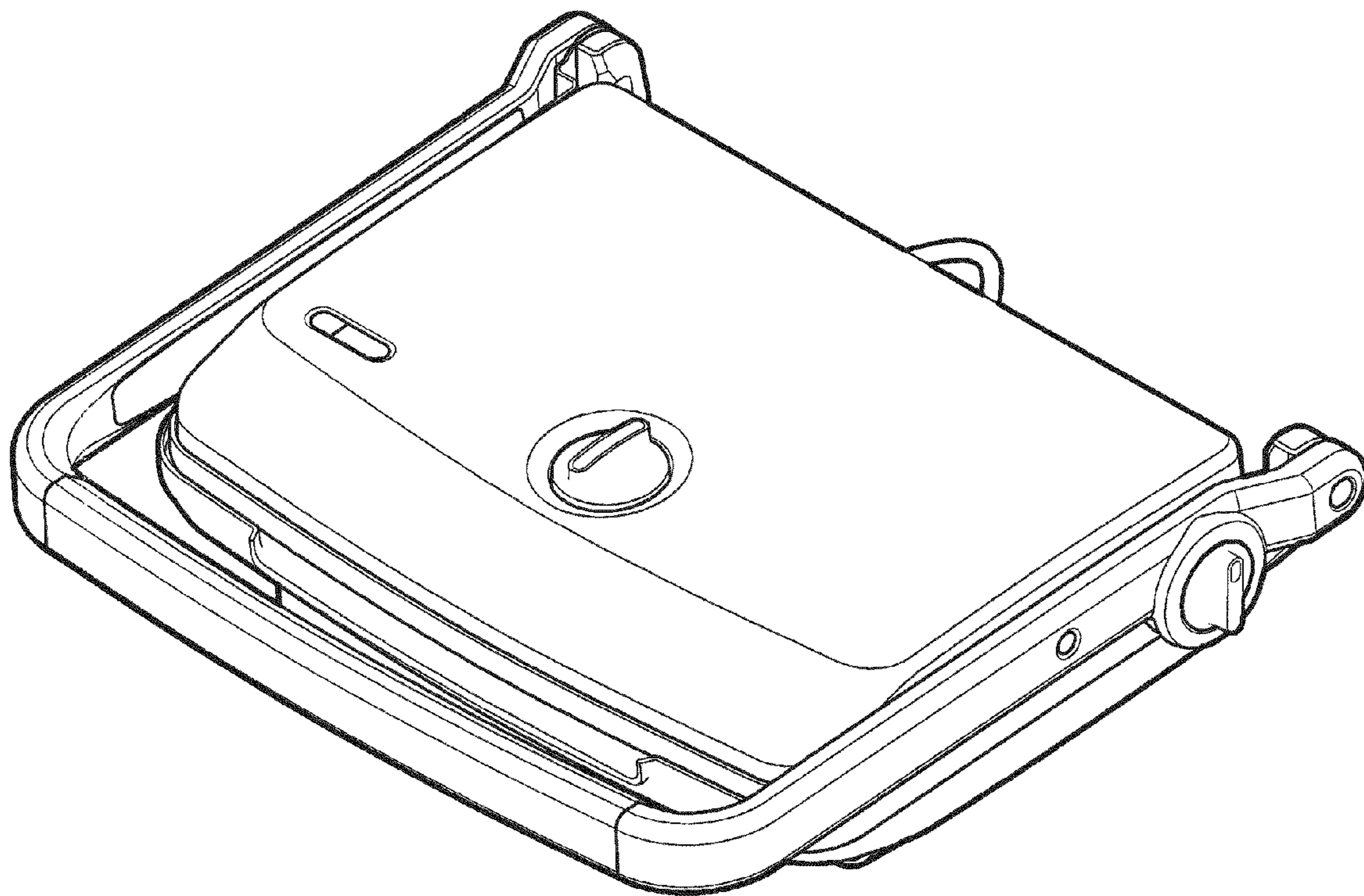


FIG. 6

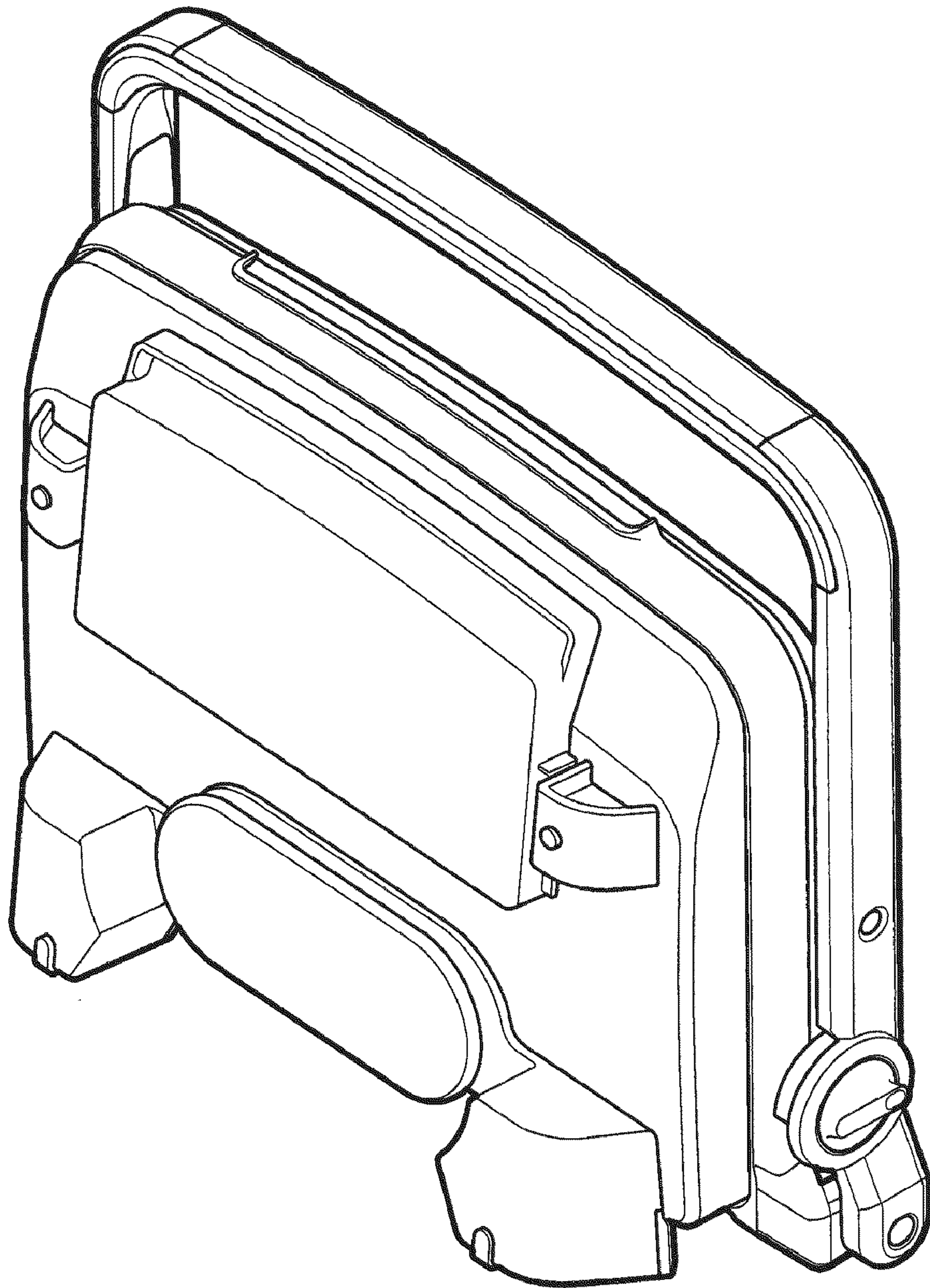


FIG. 7