



US00D632125S

(12) **United States Design Patent**
Kim et al.

(10) **Patent No.:** **US D632,125 S**
(45) **Date of Patent:** **** Feb. 8, 2011**

(54) **MICROWAVE OVEN**

(75) Inventors: **Soo Yeon Kim**, Seoul (KR); **Kyoung Ha Lee**, Busan (KR); **Na Jung Cho**, Seoul (KR); **Kyung A Lee**, Seoul (KR)

(73) Assignee: **LG Electronics Inc.**, Seoul (KR)

(**) Term: **14 Years**

(21) Appl. No.: **29/345,128**

(22) Filed: **Oct. 9, 2009**

(30) **Foreign Application Priority Data**

Jun. 8, 2009 (KR) 30-2009-0025076

(51) **LOC (9) Cl.** **07-02**

(52) **U.S. Cl.** **D7/351**

(58) **Field of Classification Search** D7/350.1,
D7/350.3, 350.4, 351, 402, 405-406, 349;
219/678, 756-758, 740; 126/19 M, 275 E,
126/273 A

See application file for complete search history.

(56) **References Cited**

U.S. PATENT DOCUMENTS

D442,820 S *	5/2001	Kim	D7/351
D511,267 S *	11/2005	Pino	D7/351
D518,681 S *	4/2006	Shin	D7/351
D540,105 S *	4/2007	Lee et al.	D7/351

D561,529 S *	2/2008	Suh et al.	D7/405
D576,834 S *	9/2008	Shin et al.	D7/351
D583,614 S *	12/2008	Chung et al.	D7/351
D607,264 S *	1/2010	Lee	D7/351
D612,208 S *	3/2010	Baker et al.	D7/402
D615,803 S *	5/2010	Sindeaux et al.	D7/351
2005/0121445 A1 *	6/2005	Kang	219/757
2005/0173427 A1 *	8/2005	Cho	219/756

* cited by examiner

Primary Examiner—Ruth McInroy

(74) *Attorney, Agent, or Firm*—Birch, Stewart, Kolasch & Birch, LLP

(57) **CLAIM**

The ornamental design for a microwave oven, as shown and described.

DESCRIPTION

FIG. 1 is a top, front, perspective view of a microwave oven showing our new design;

FIG. 2 is a front view thereof;

FIG. 3 is a rear view thereof;

FIG. 4 is a left side view thereof;

FIG. 5 is a right side view thereof;

FIG. 6 is a top plan view thereof; and,

FIG. 7 is a bottom plan view thereof.

1 Claim, 4 Drawing Sheets

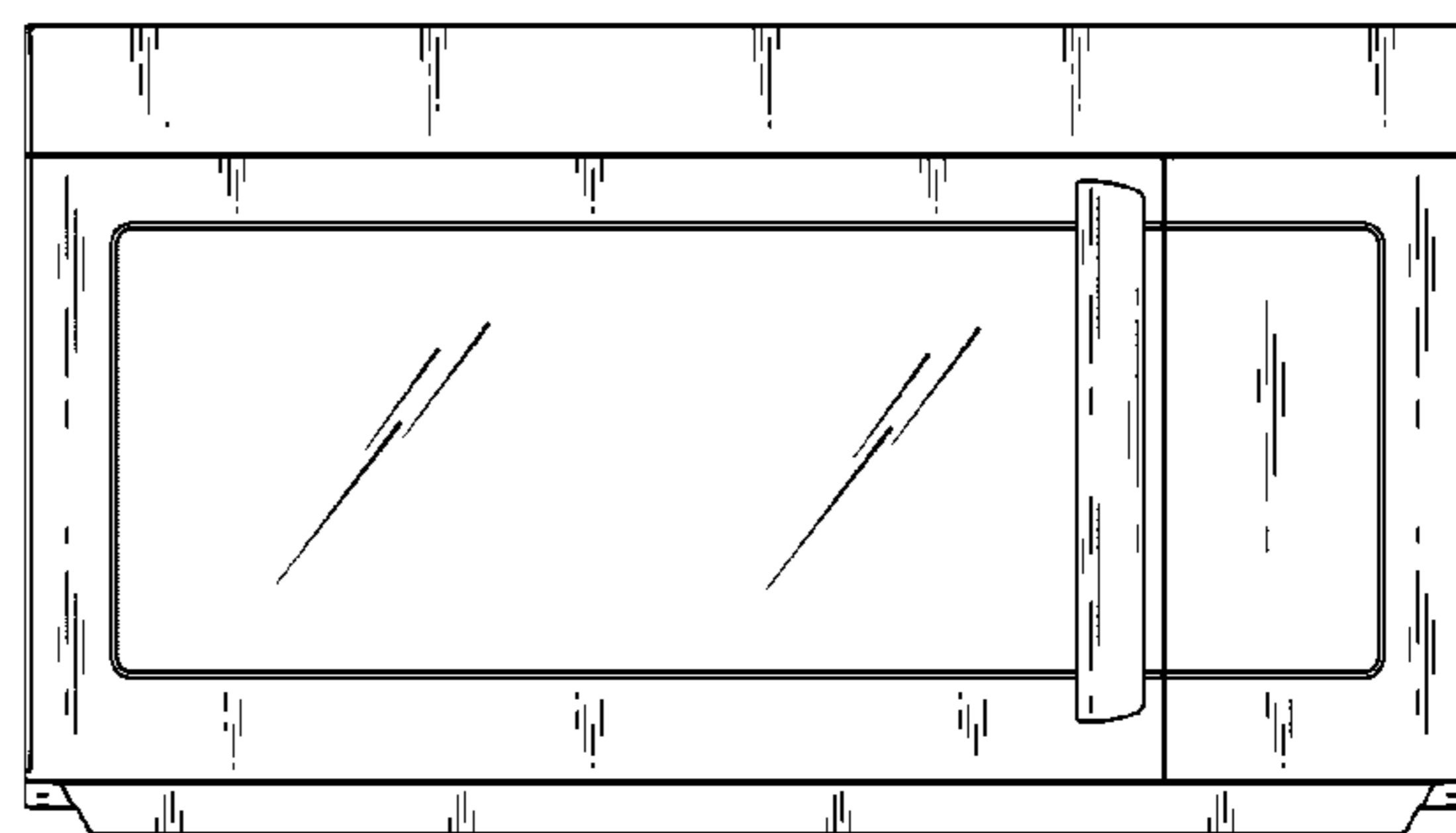
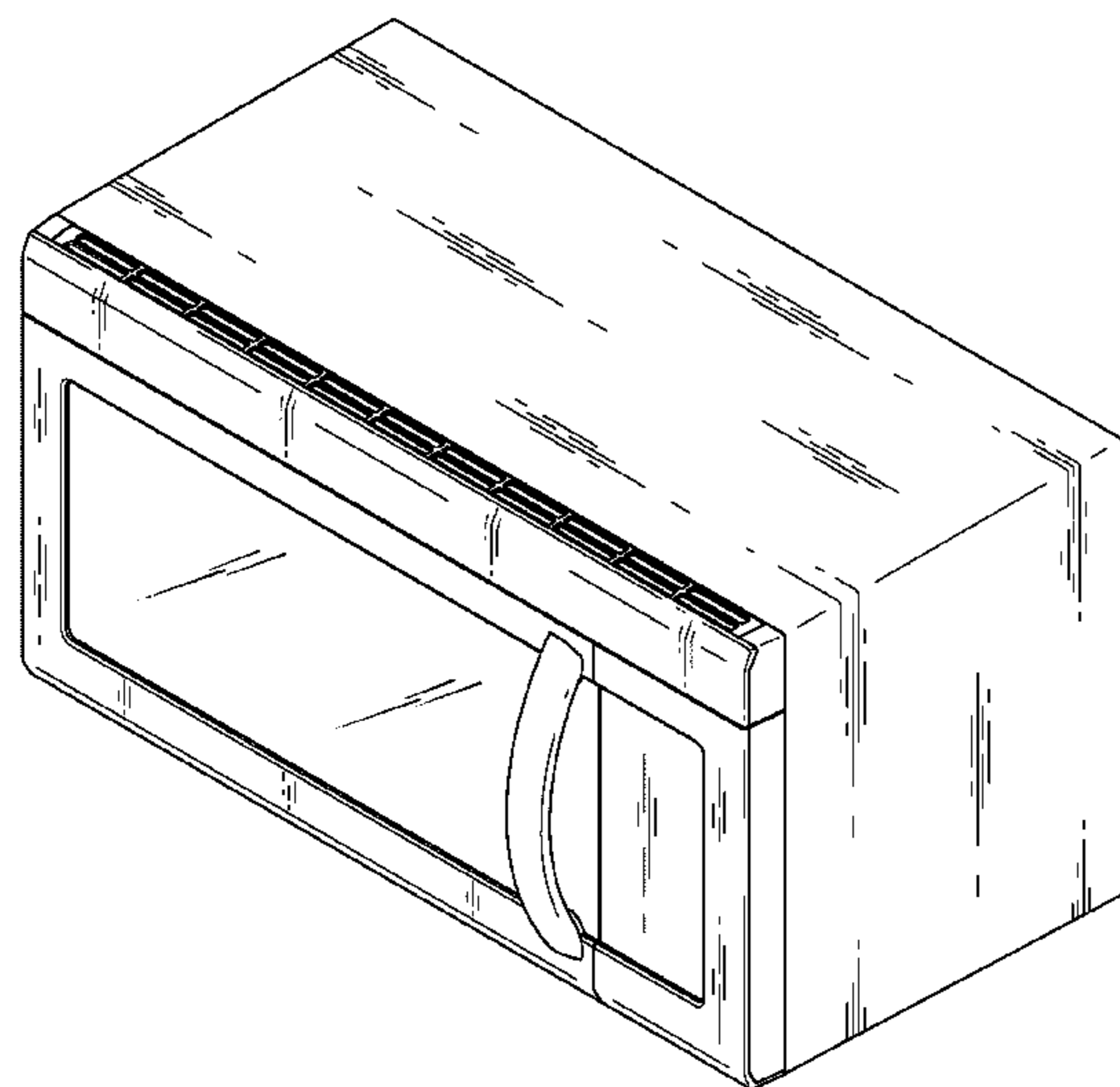


FIG. 1

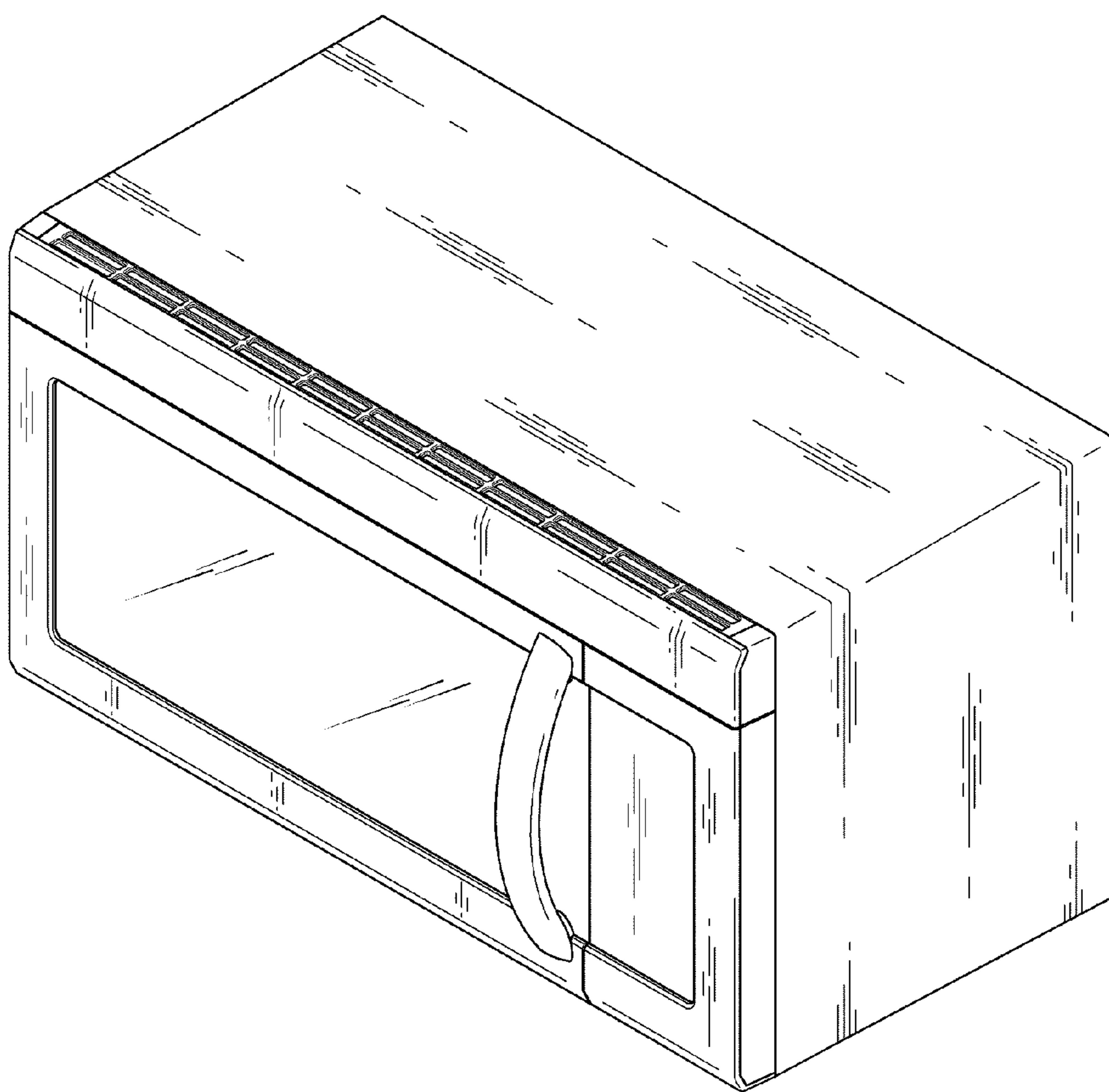


FIG. 2

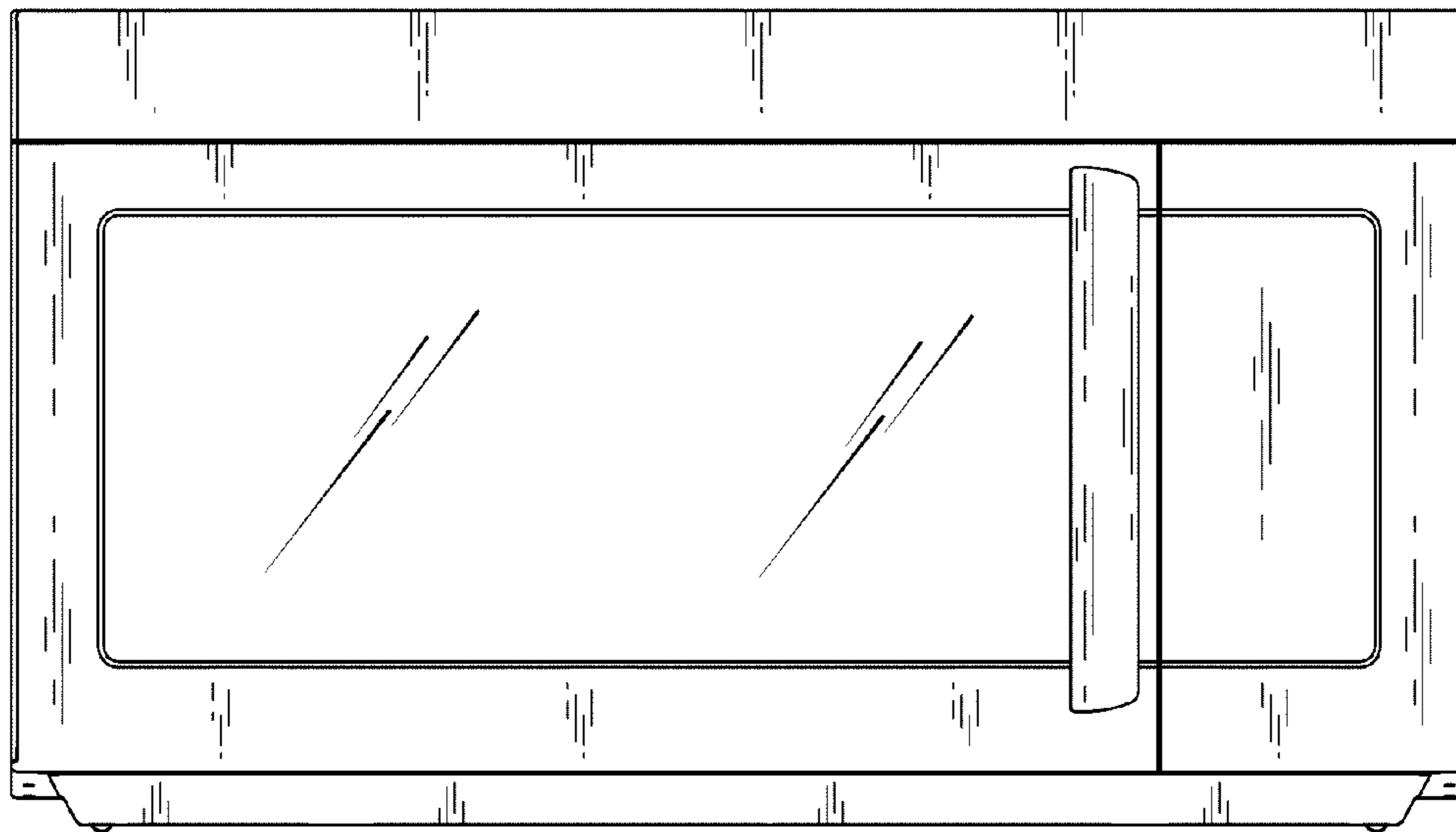


FIG. 3

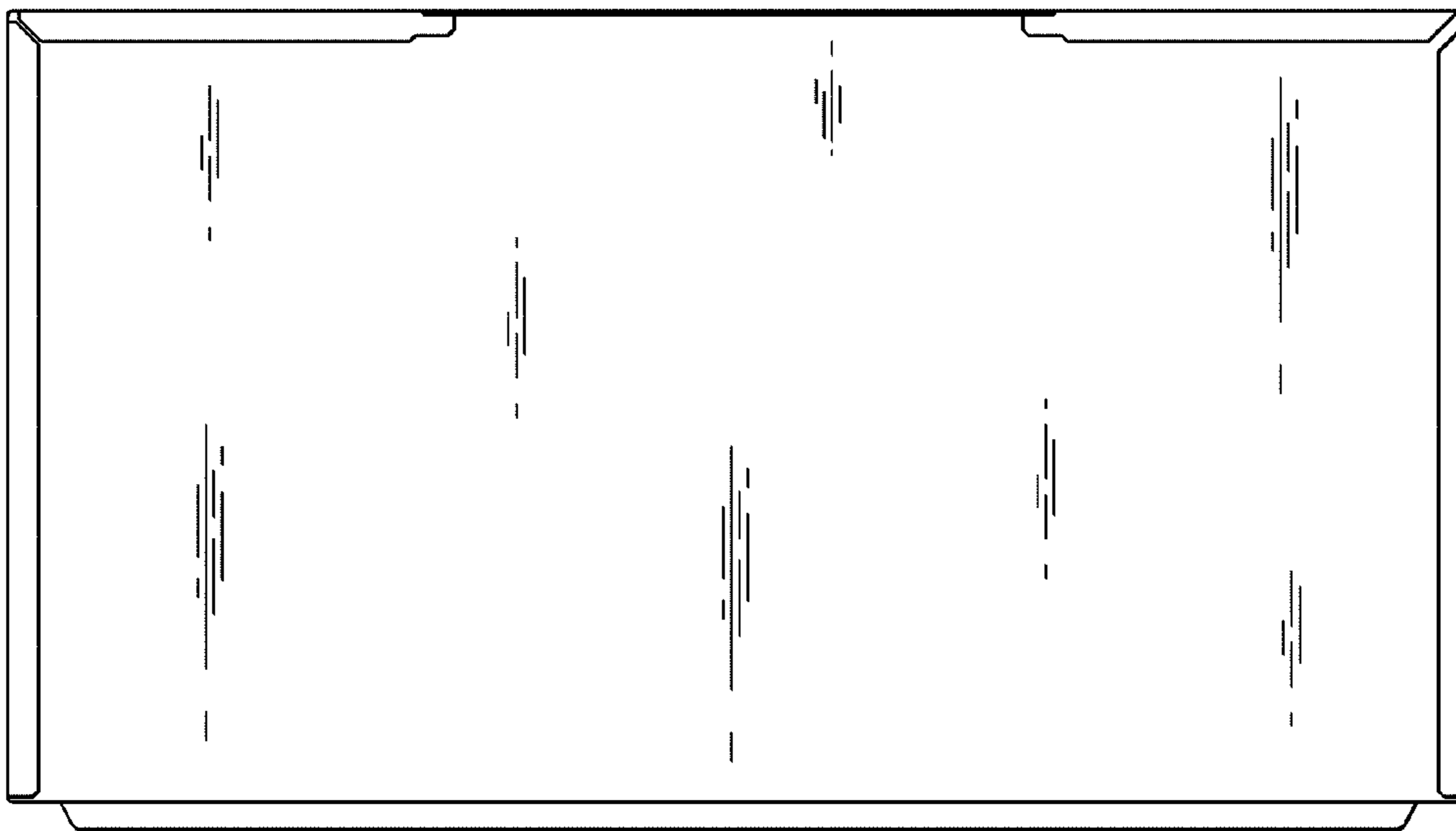


FIG. 4

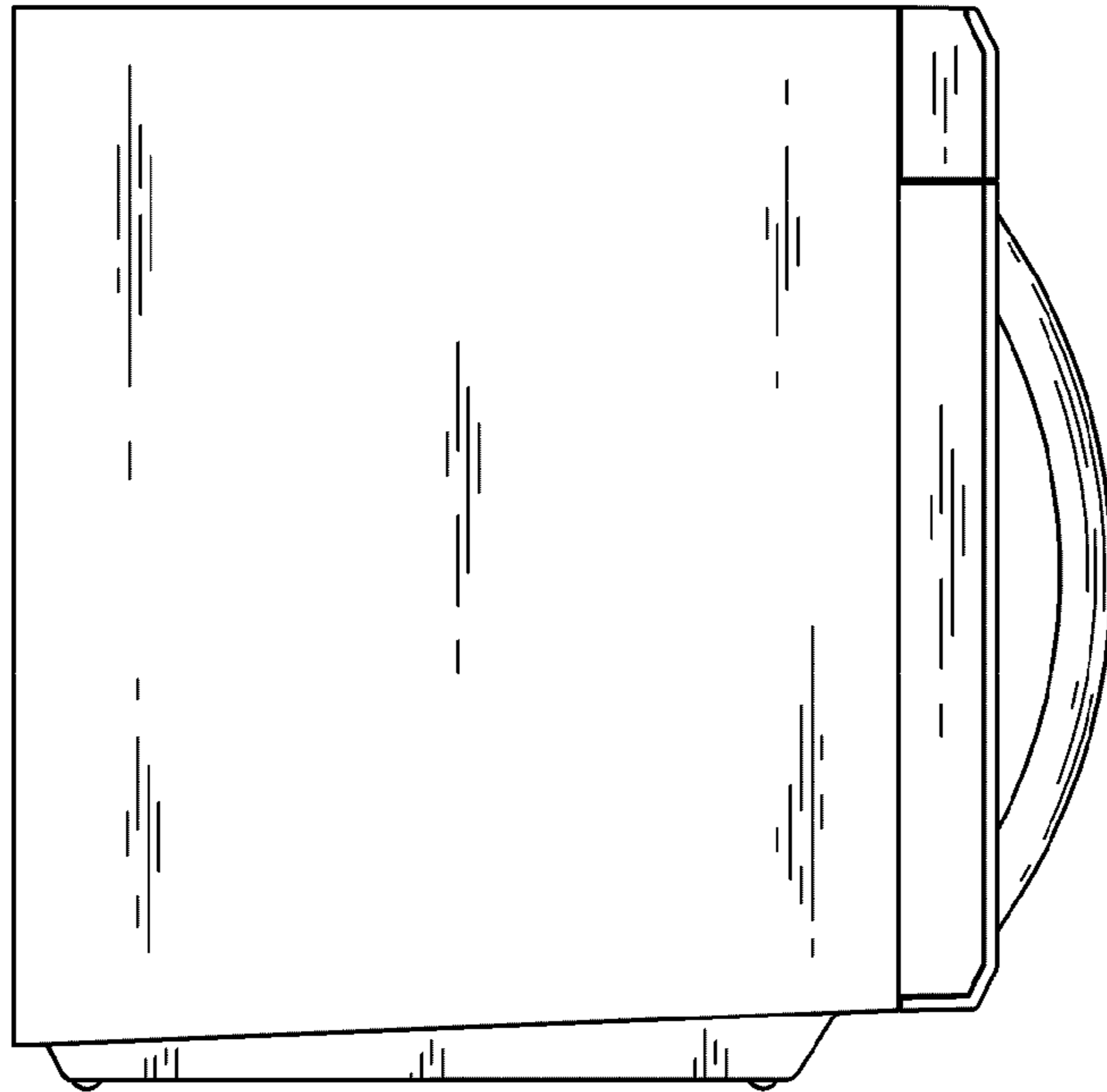


FIG. 5

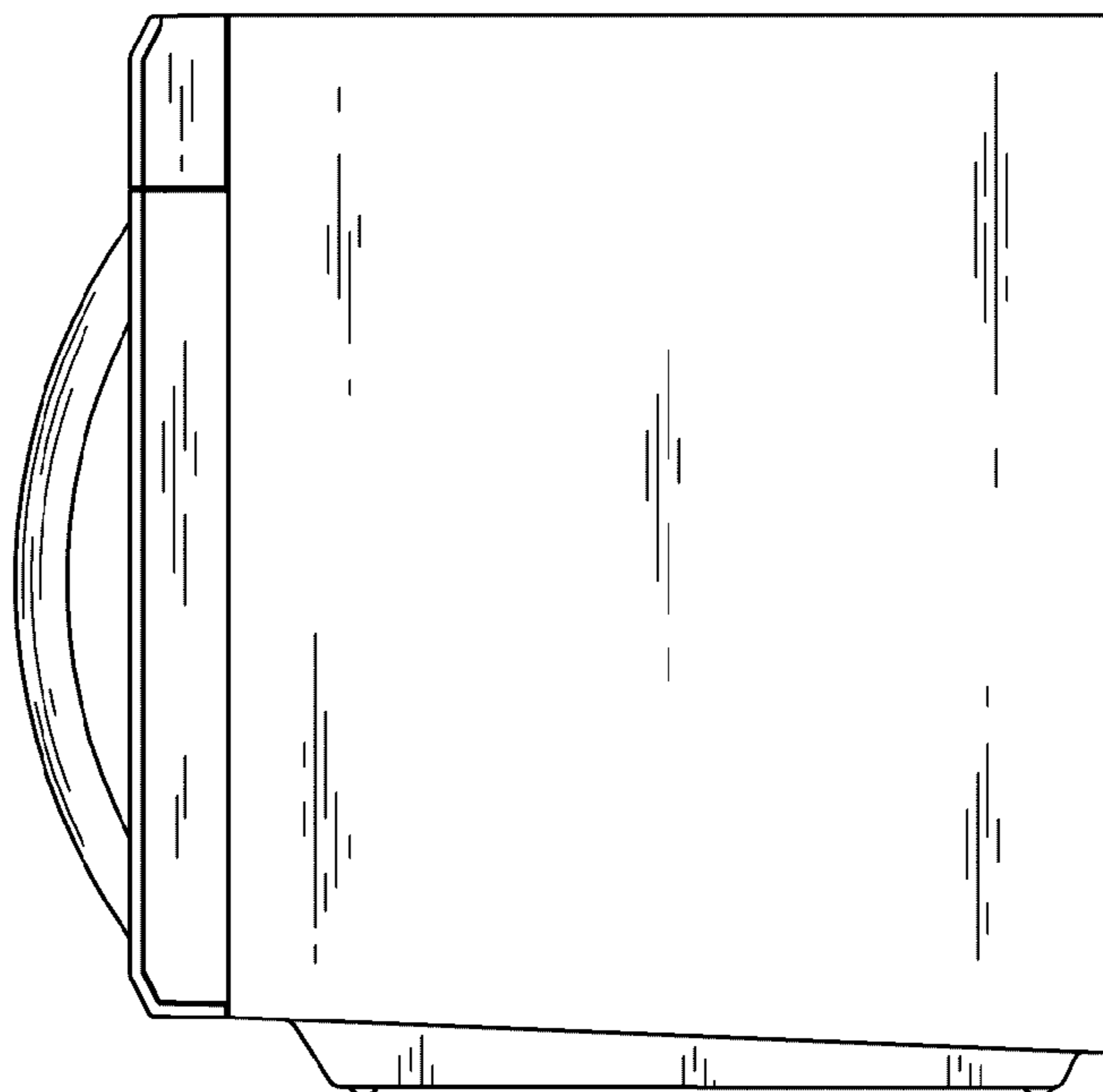


FIG. 6

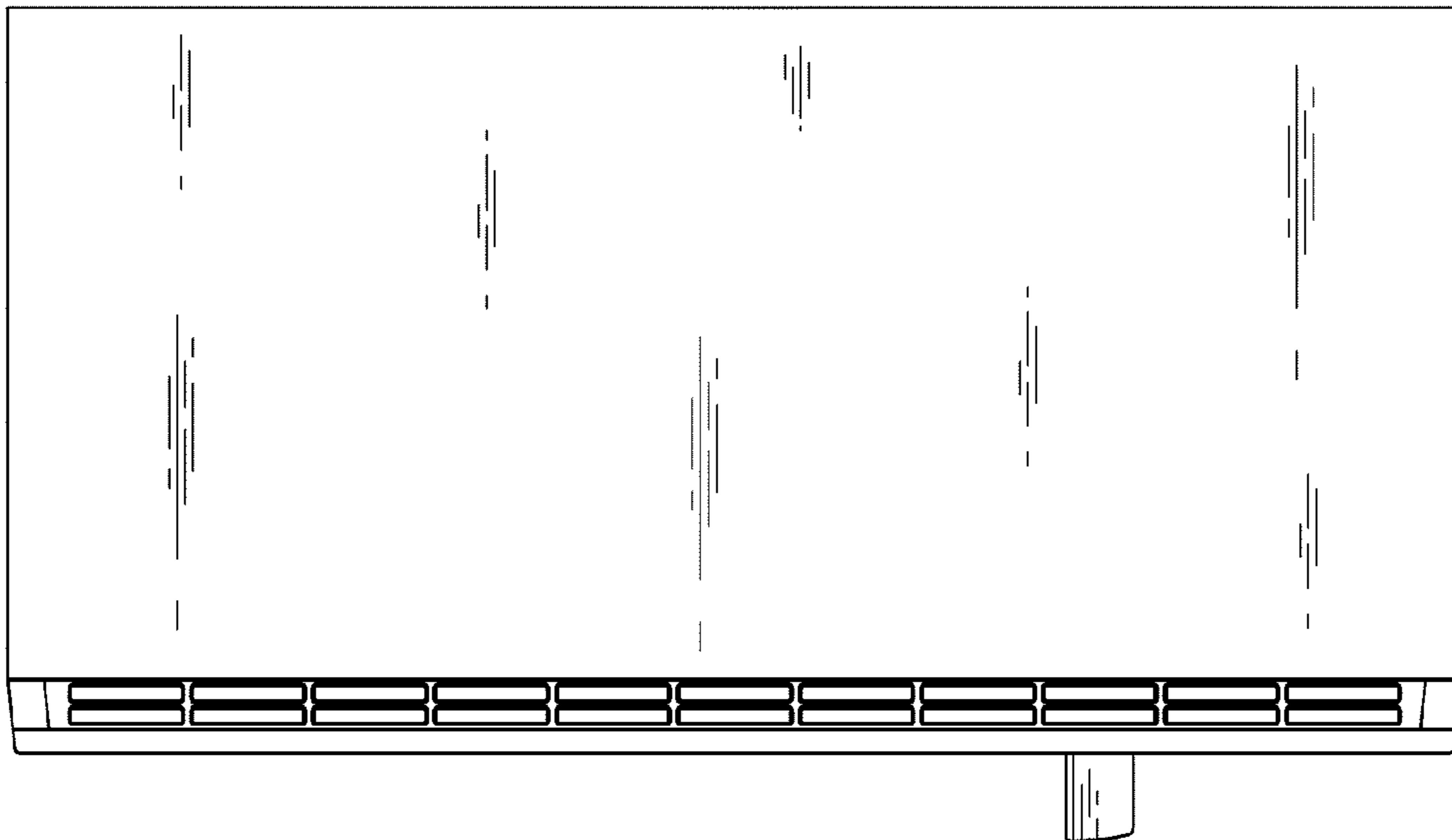


FIG. 7

