



US00D632123S

(12) **United States Design Patent**
Kauer

(10) **Patent No.:** **US D632,123 S**

(45) **Date of Patent:** **** Feb. 8, 2011**

(54) **HOLLYWOOD POPCORN MAKER**

D552,405 S * 10/2007 Bond D7/325

(76) Inventor: **Frank Kauer**, 21/FI. Benson Tower. 74
Hung to Road, Kuan Tong, Hong Kong
(HK)

* cited by examiner

Primary Examiner—Ricky Pham
(74) *Attorney, Agent, or Firm*—Patel & Alunit; John Alunit

(**) Term: **14 Years**

(57) **CLAIM**

(21) Appl. No.: **29/315,556**

I claim the ornamental design for a Hollywood popcorn maker, as shown and described.

(22) Filed: **Jul. 6, 2009**

(51) **LOC (9) Cl.** **31-00**

(52) **U.S. Cl.** **D7/325**

(58) **Field of Classification Search** D7/323,
D7/325, 354-361; D20/1; D34/12-27; 34/588;
99/323.4-323.11; 219/620; 426/101-107,
426/241-243, 445

See application file for complete search history.

DESCRIPTION

Portions of the disclosure of this patent document contain material that is subject to copyright protection. The copyright owner has no objection to the facsimile reproduction by any one of the patent document or the patent disclosure as it appears in the Patent and Trademark Office file or records, but otherwise reserves all copyright rights whatsoever.

FIG. 1 is a perspective view of the Hollywood popcorn maker according to the new design.

FIG. 2 is a top view thereof.

FIG. 3 is a left side view thereof.

FIG. 4 is a front view thereof.

FIG. 5 is a right side view thereof.

FIG. 6 is a rear view thereof; and,

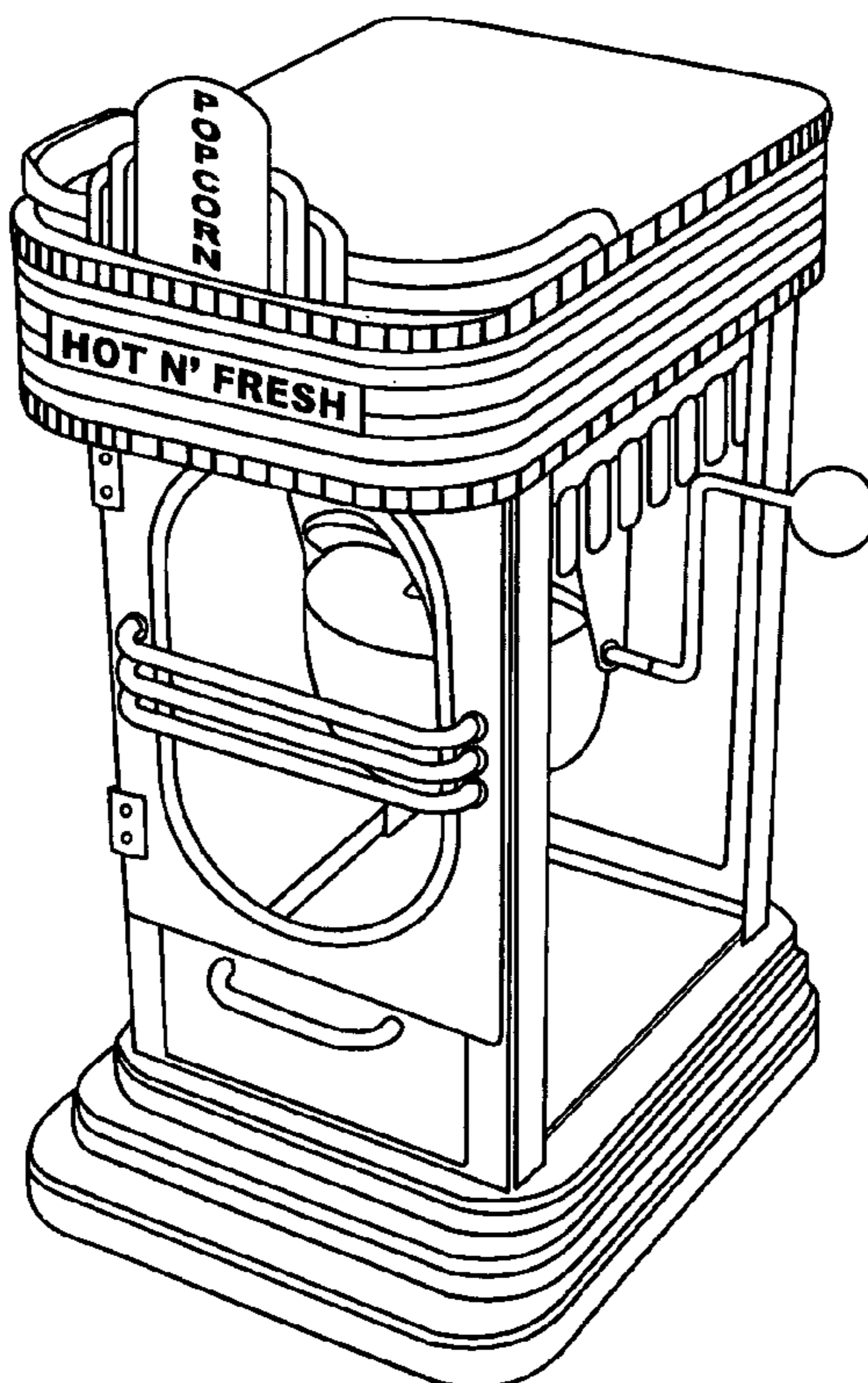
FIG. 7 is a bottom view thereof.

(56) **References Cited**

U.S. PATENT DOCUMENTS

2,134,682	A *	11/1938	Burch	99/323.7
D163,497	S *	5/1951	Waas	D7/325
D177,456	S *	4/1956	Altemiller	D7/325
2,972,292	A *	2/1961	Waas et al.	99/323.8
3,311,992	A *	4/1967	Seley	34/588
D279,069	S *	6/1985	Goodlaxson	D7/325
5,419,238	A *	5/1995	Pinone	99/323.6
D469,234	S *	1/2003	Bond et al.	D34/14
D551,016	S *	9/2007	Bond	D7/325

1 Claim, 7 Drawing Sheets



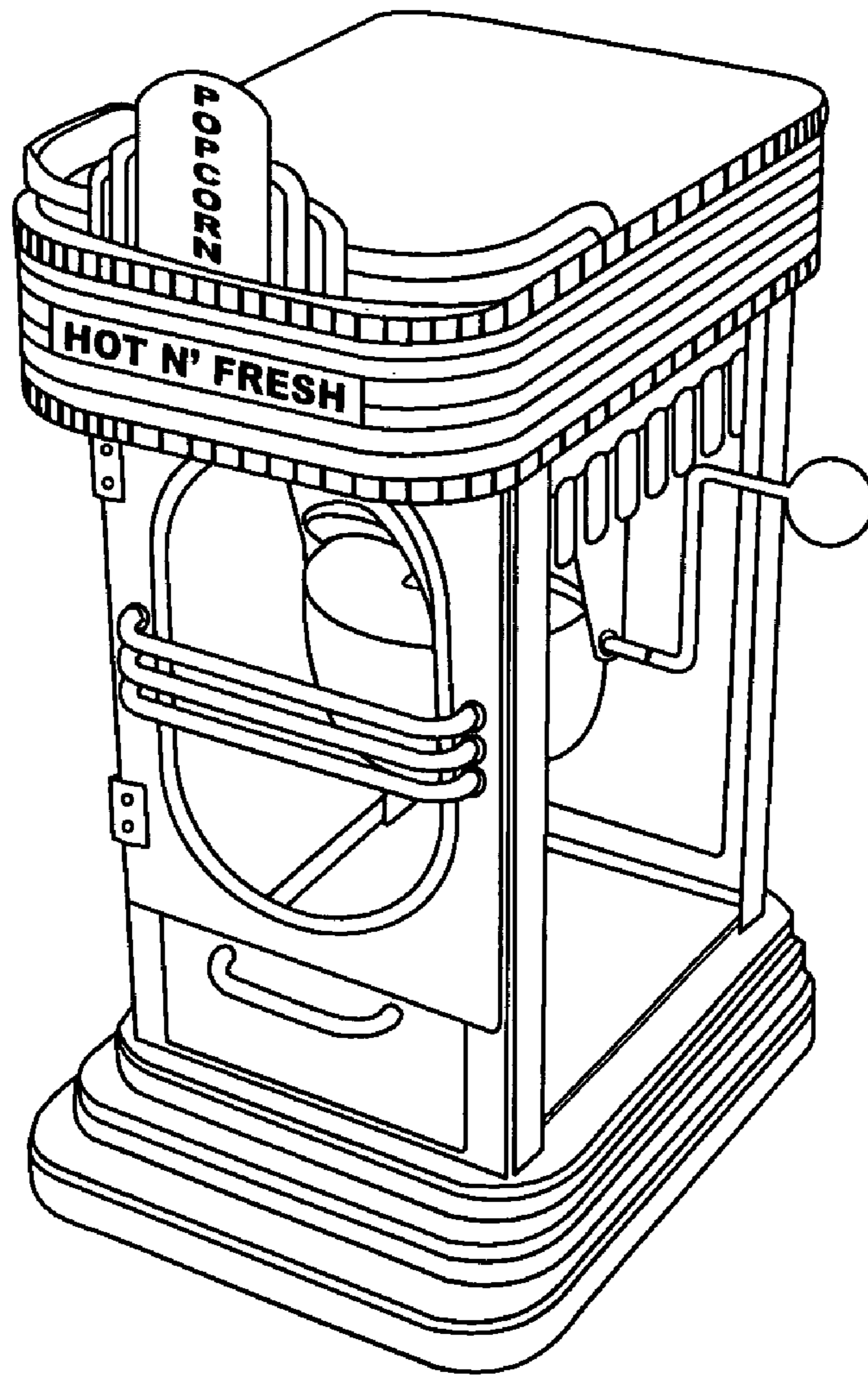


FIG. 1

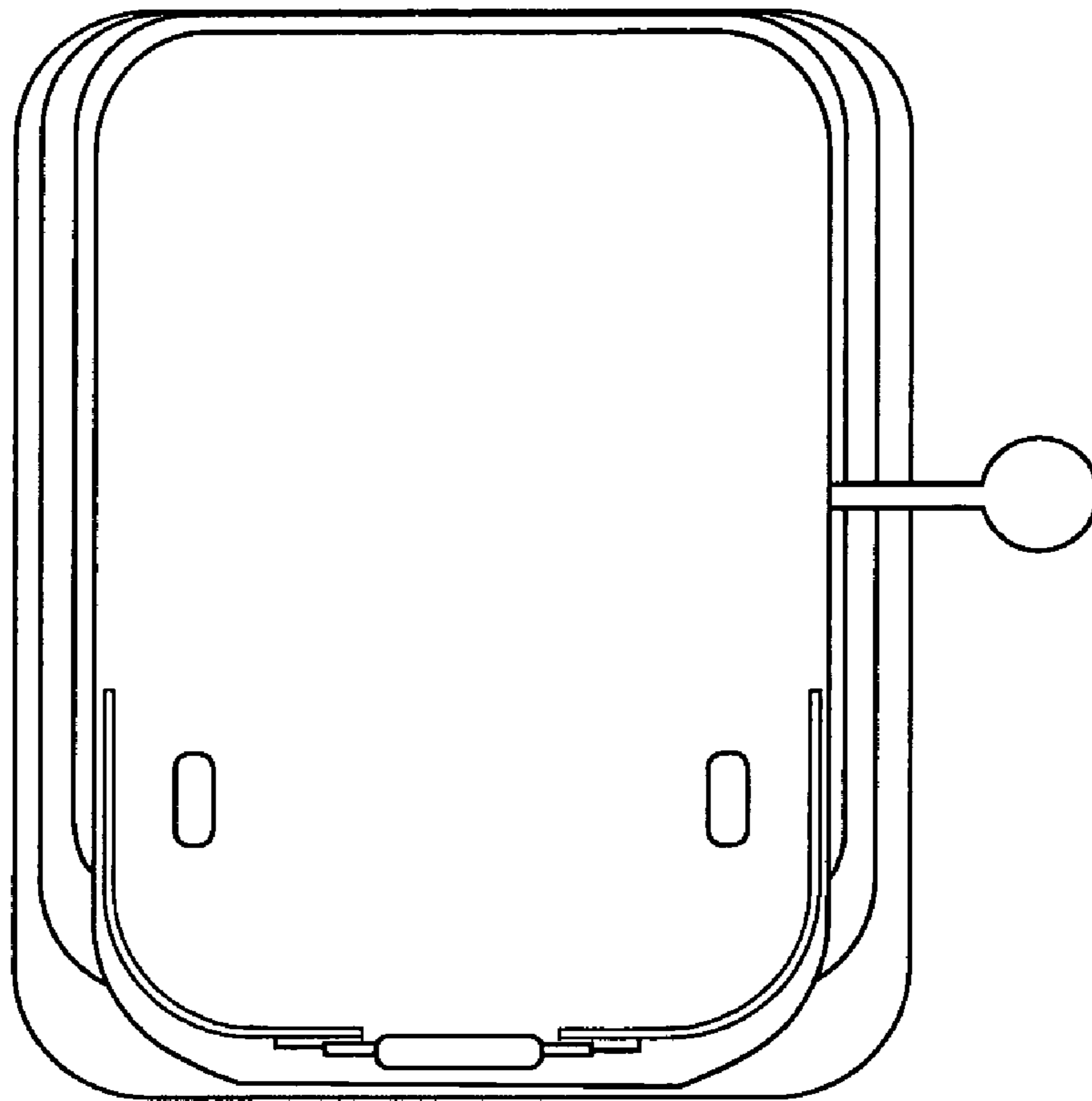


FIG. 2

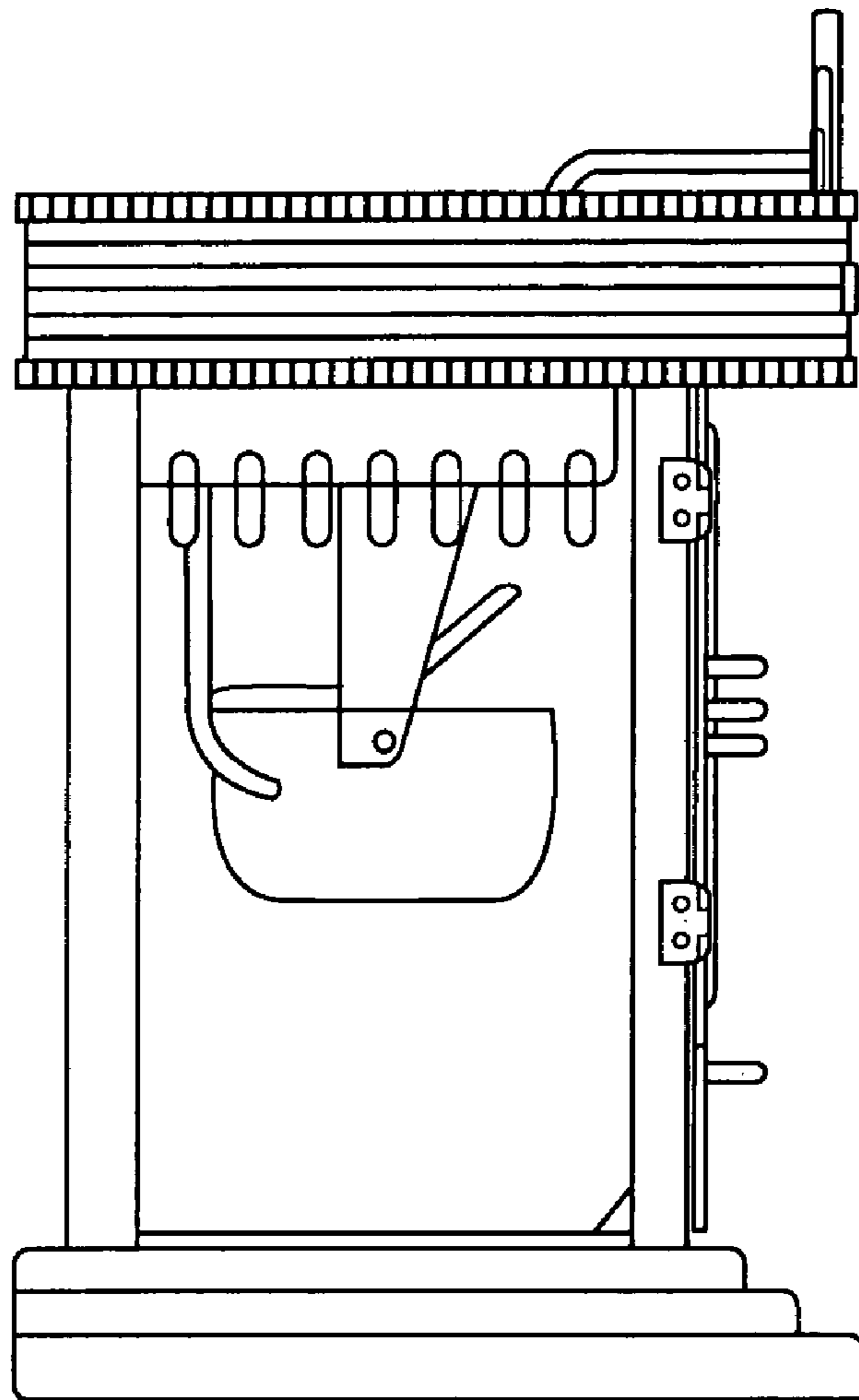


FIG. 3

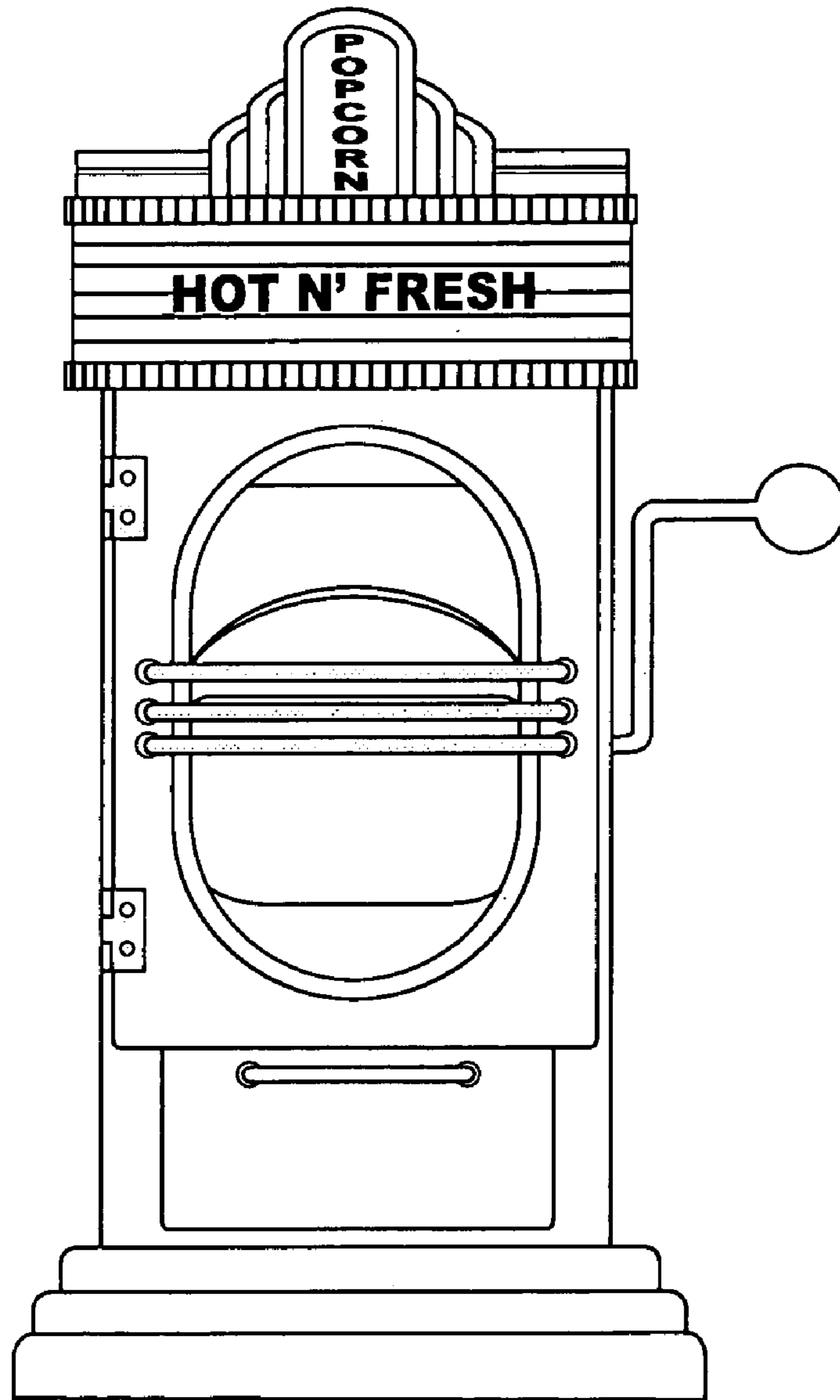


FIG. 4

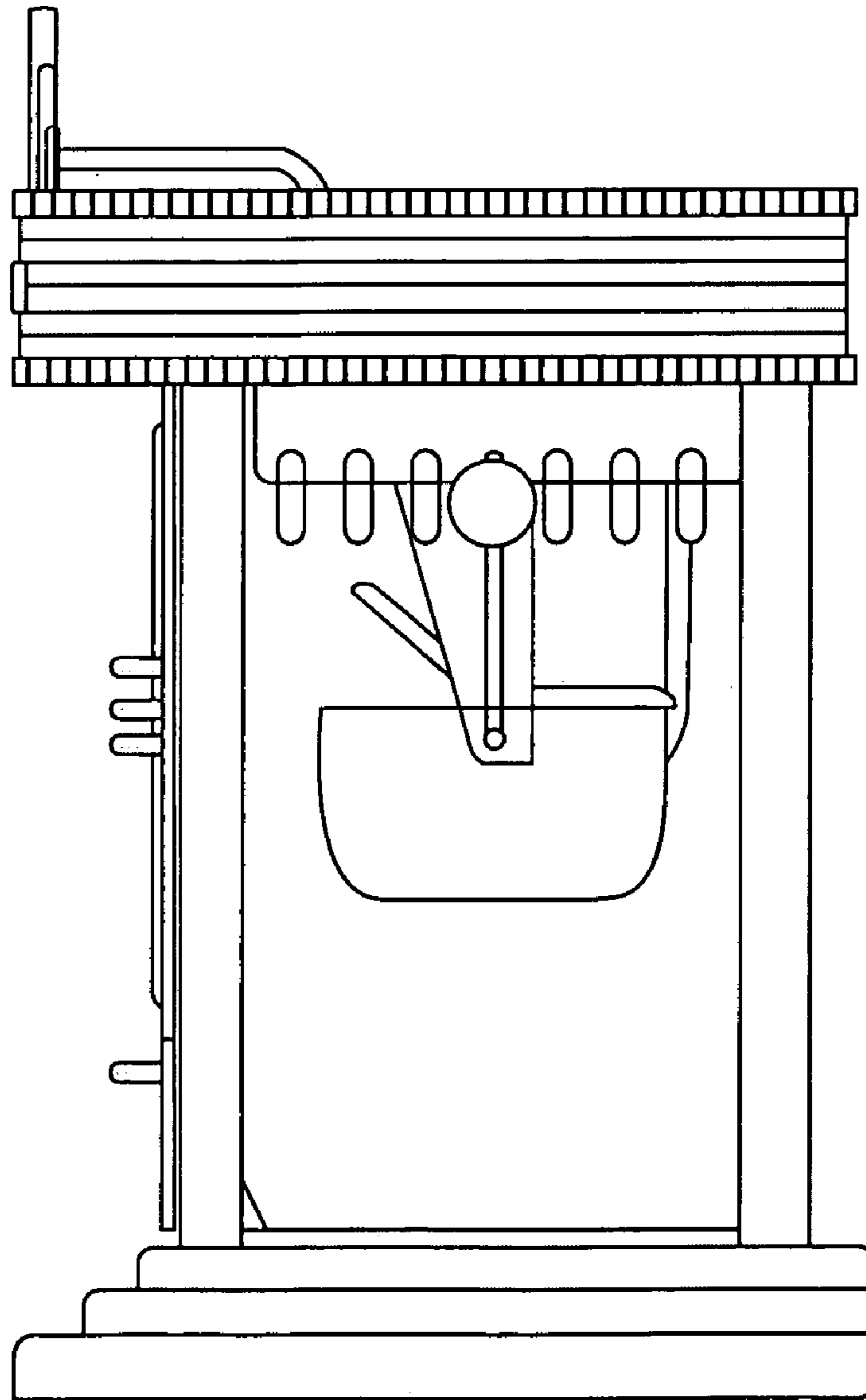


FIG. 5

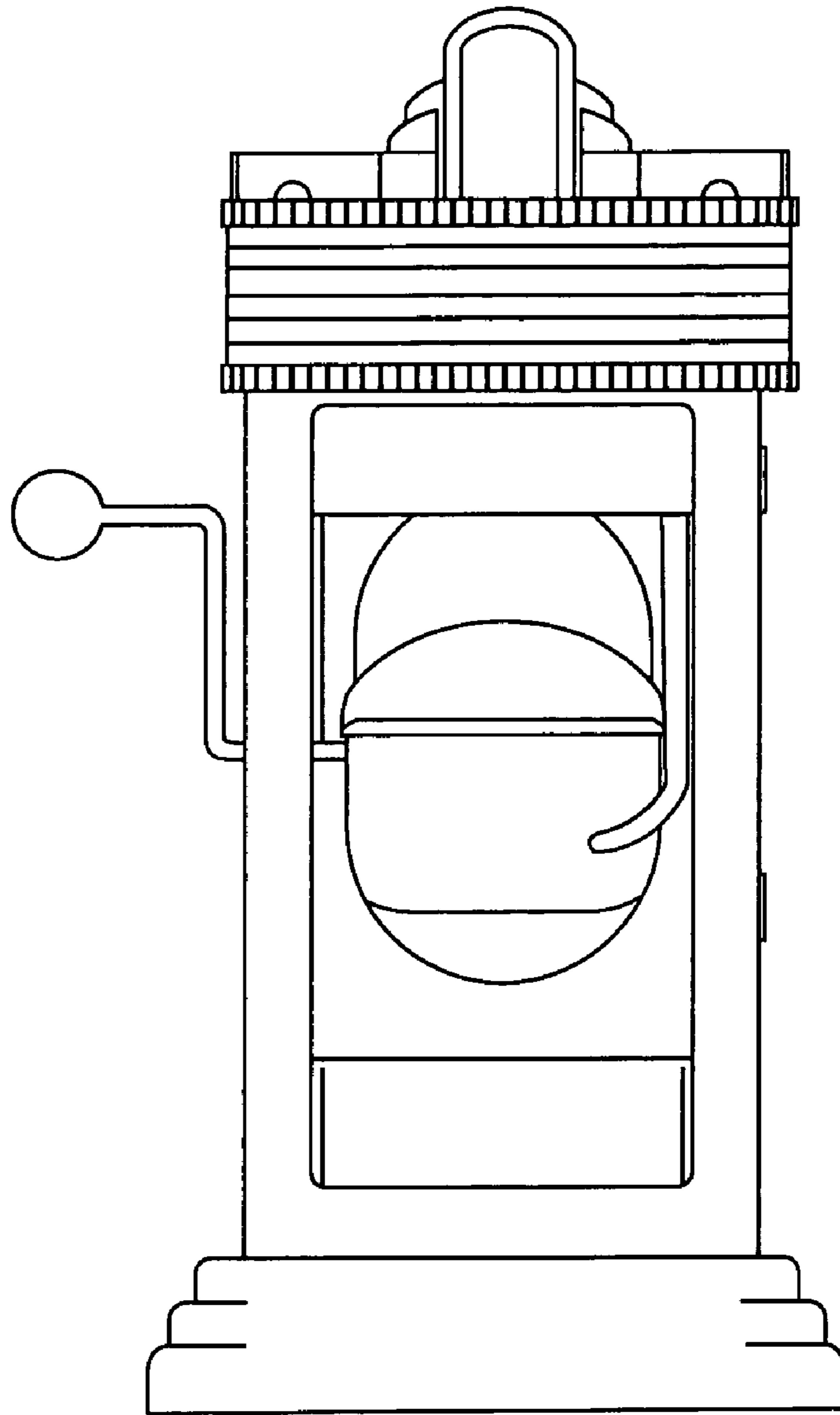


FIG. 6

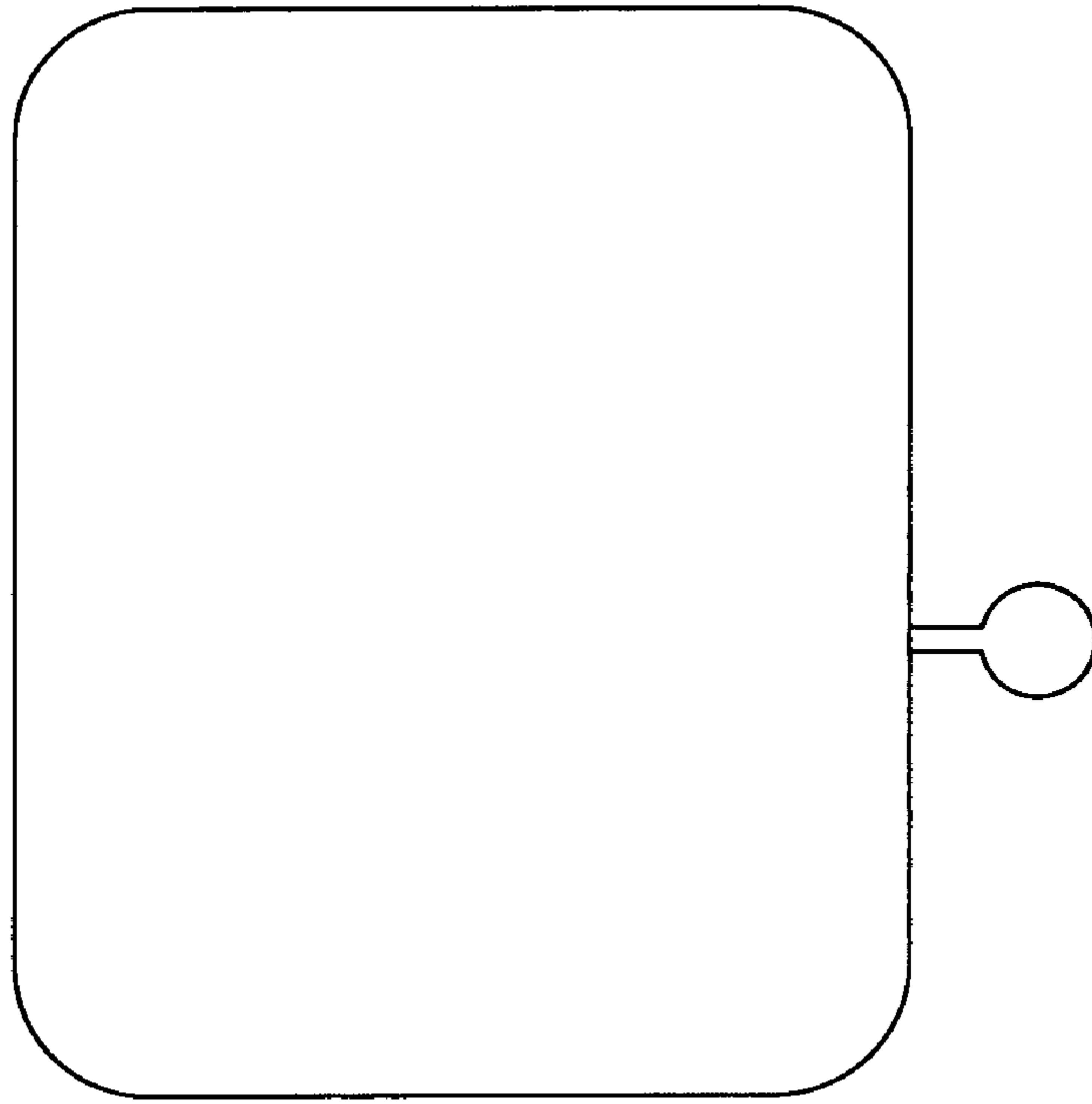


FIG. 7