



US00D632118S

(12) **United States Design Patent**  
**Clarke**

(10) **Patent No.:** **US D632,118 S**

(45) **Date of Patent:** **\*\* Feb. 8, 2011**

(54) **OVERLAPPING ROLLER BLIND SYSTEM**

(75) Inventor: **Kevin Clarke**, Melbourne (AU)

(73) Assignee: **Designed Blinds Australia Pty Ltd**,  
Clayton, Victoria (AU)

(\*\*) Term: **14 Years**

(21) Appl. No.: **29/337,158**

(22) Filed: **May 15, 2009**

(51) **LOC (9) Cl.** ..... **06-10**

(52) **U.S. Cl.** ..... **D6/580**

(58) **Field of Classification Search** ..... D6/575-581;  
160/1, 7, 23.1, 31, 66, 120, 241, 265, 270,  
160/272, 273.1, 310, 311, 312, 321, 323.1,  
160/370.22, 405, 903

See application file for complete search history.

(56) **References Cited**

**U.S. PATENT DOCUMENTS**

D40,481 S	2/1910	Wright et al.	
D74,722 S	3/1928	Crawford	
D142,539 S	10/1945	White	
D142,540 S	10/1945	White	
2,526,393 A	10/1950	Nelson	
2,679,373 A	5/1954	Henley	
2,770,437 A	11/1956	Pasch	
3,515,049 A *	6/1970	Knapp	396/482
4,136,847 A	1/1979	Murray	
D253,162 S	10/1979	Sheehan	
4,283,034 A	8/1981	Sheehan	
4,335,865 A	6/1982	Cormier	
4,836,264 A *	6/1989	Machin	160/120
4,964,604 A	10/1990	Lombard	
D335,604 S *	5/1993	Lui et al.	D6/575
D338,637 S	8/1993	Shenkar	
D355,093 S	2/1995	Morris	
D359,410 S *	6/1995	Domel et al.	D6/580
5,655,587 A *	8/1997	Kraler	160/31

(Continued)

**OTHER PUBLICATIONS**

Notice of Allowance and Notice of Allowability mailed Feb. 25, 2009 in co-pending U.S. Appl. No. 29/318,079, "Bracket For Overlapping Window Roller Blinds," (5 pages).

(Continued)

*Primary Examiner*—Patricia Palasik

(74) *Attorney, Agent, or Firm*—Pauly, DeVries Smith & Deffner, L.L.C.

(57) **CLAIM**

The ornamental design for an overlapping roller blind system, as shown and described.

**DESCRIPTION**

FIG. 1 is a perspective view of an overlapping roller blind system.

FIG. 2 is a front elevation view of the overlapping roller blind system.

FIG. 3 is a rear elevation view of the overlapping roller blind system.

FIG. 4 is a left side elevation view of the overlapping roller blind system.

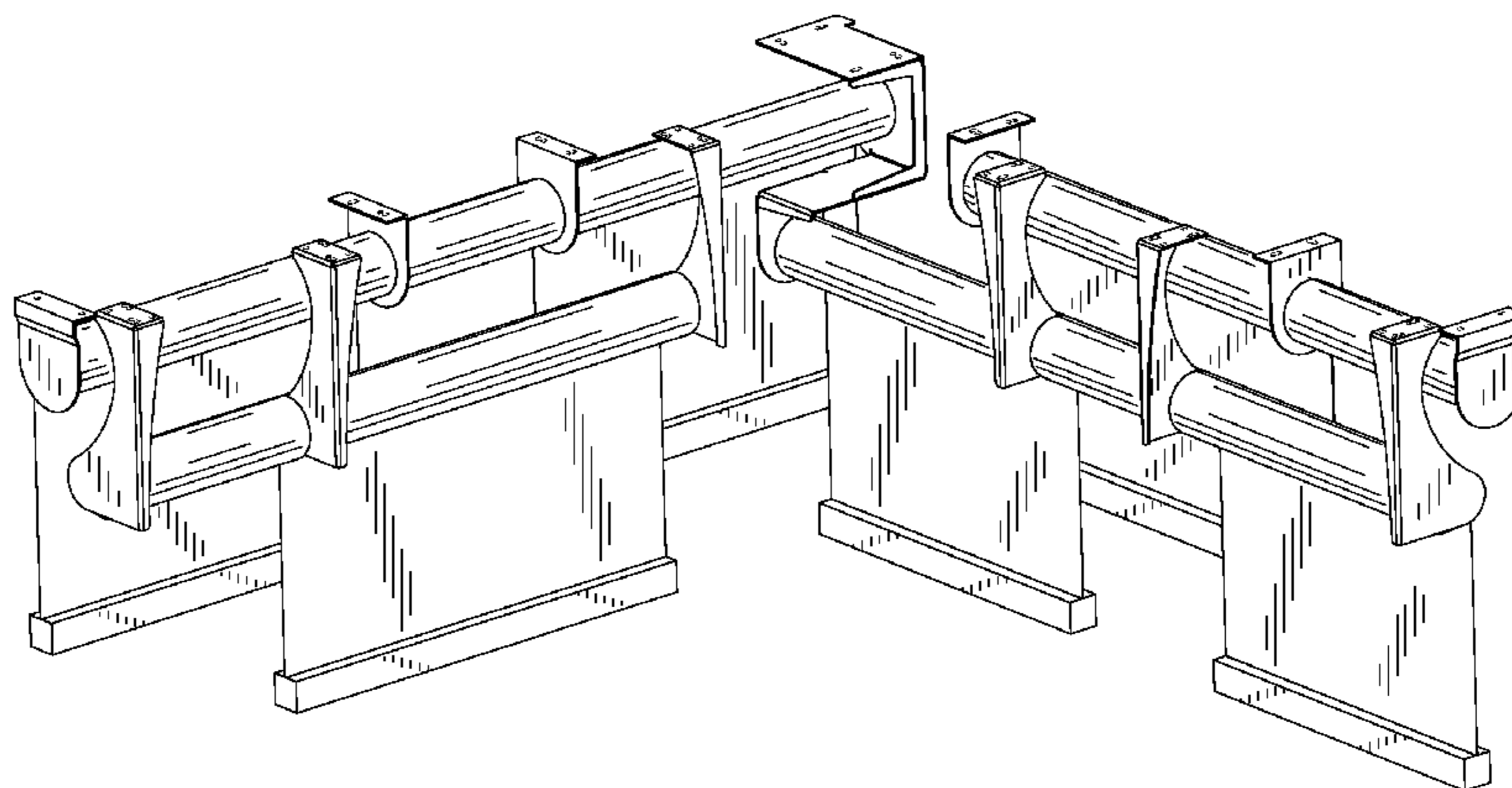
FIG. 5 is a right side elevation view of the overlapping roller blind system.

FIG. 6 is a top plan view of the overlapping roller blind system; and,

FIG. 7 is a bottom plan view of the overlapping roller blind system.

The broken lines immediately adjacent the areas with surface shading represent the bounds of the claims and all other broken lines represent portions of the design that form no part of the claim. None of the broken lines form a part of the claimed design.

**1 Claim, 7 Drawing Sheets**



U.S. PATENT DOCUMENTS

D387,972	S *	12/1997	Hernandez	.....	D8/359
D397,606	S	9/1998	Tameling		
D408,722	S	4/1999	Sartini		
D440,447	S	4/2001	Horsten		
D449,220	S	10/2001	Wurdack		
6,499,709	B1	12/2002	Parent		
D478,804	S	8/2003	Titus		
6,941,996	B2	9/2005	Ward et al.		
D565,933	S	4/2008	Berry et al.		
D588,441	S	3/2009	Clarke		
7,740,047	B2 *	6/2010	Koop et al.	.....	160/323.1
7,793,702	B2 *	9/2010	Biewer et al.	.....	160/370.22
2005/0161175	A1 *	7/2005	Tussinger	.....	160/265
2005/0183835	A1 *	8/2005	Nien	.....	160/321
2007/0144682	A1 *	6/2007	Drew et al.	.....	160/23.1
2008/0257505	A1 *	10/2008	Braybrook	.....	160/321
2009/0145559	A1 *	6/2009	Glasl et al.	.....	160/273.1

OTHER PUBLICATIONS

Notice of Allowance, Notice of Allowability and form PTO-892 mailed Feb. 13, 2009 in co-pending U.S. Appl. No. 29/322,432, *"Bracket for Overlapping Window Roller Blinds,"* (9 pages).

Notice of Allowance, Notice of Allowability and form PTO-892 mailed Feb. 13, 2009 in co-pending U.S. Appl. No. 29/322,433, *"Bracket for Overlapping window Roller Blinds,"* (8 pages).

Design Patent Application titled *"Bracket For Overlapping Window Roller Blinds"*, filed May 13, 2008, U.S. Appl. No. 29/318,079 (5 pages).

Design Patent Application titled *"Bracket for Overlapping Window Roller Blinds"*, filed Aug. 5, 2008, U.S. Appl. No. 20/322,432 (5 pages).

Design Patent Application titled *"Bracket for Overlapping Window Roller Blinds"*, filed Aug. 5, 2008, U.S. Appl. No. 29/322,433 (5 pages).

Design Patent Application titled *"Corner Bracket for Overlapping Roller Blind System"*, Filed Even date herewith, (16 pages).

Design Patent Application titled *"Top Plate Component for Overlapping Blind System"*, Filed Even date herewith, (23 pages).

*"Bracket for Dual Window Roller Blinds"*, *Made by Designed Blinds Australia* Available before Dec. 13, 2007.

\* cited by examiner

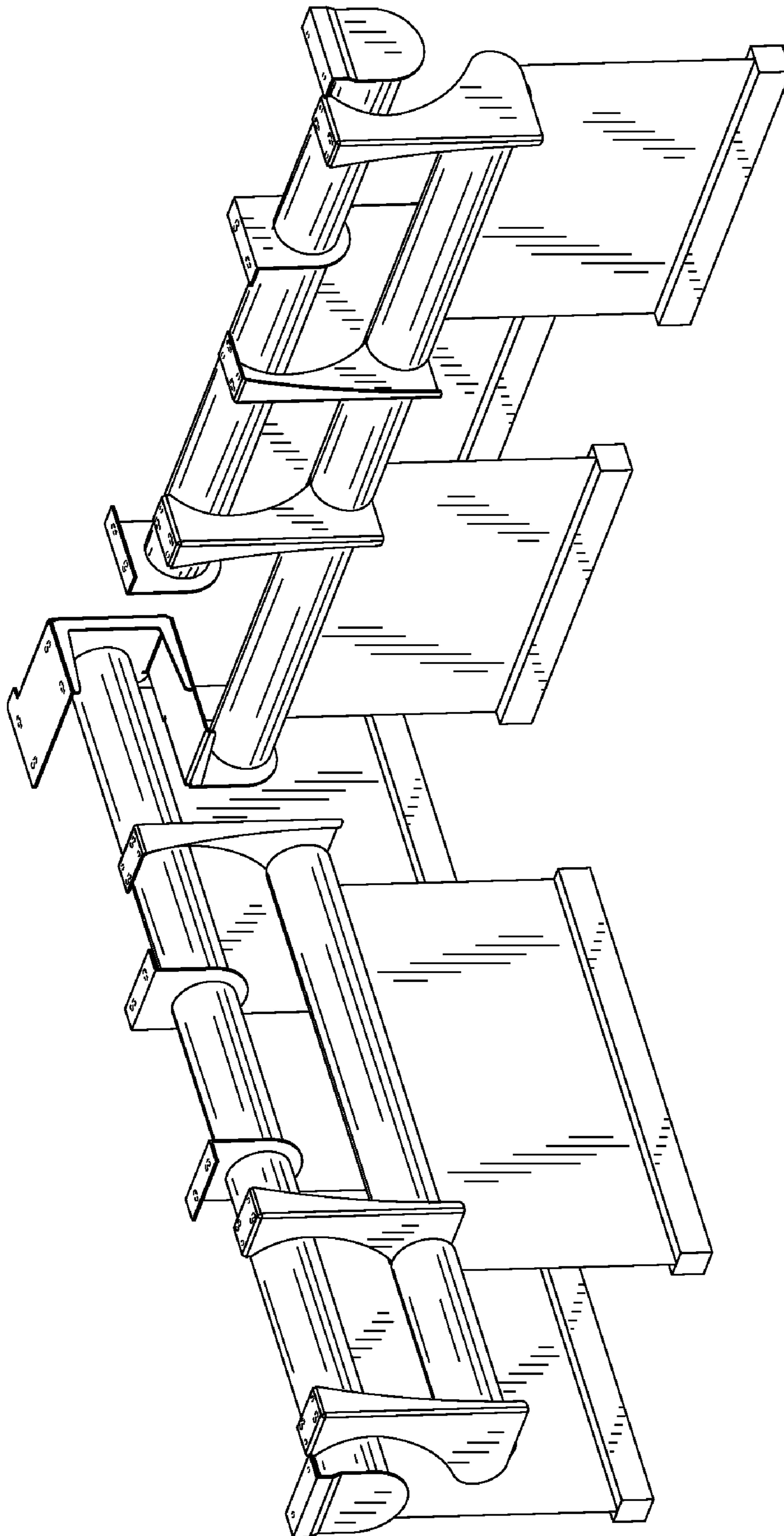


FIG. 1

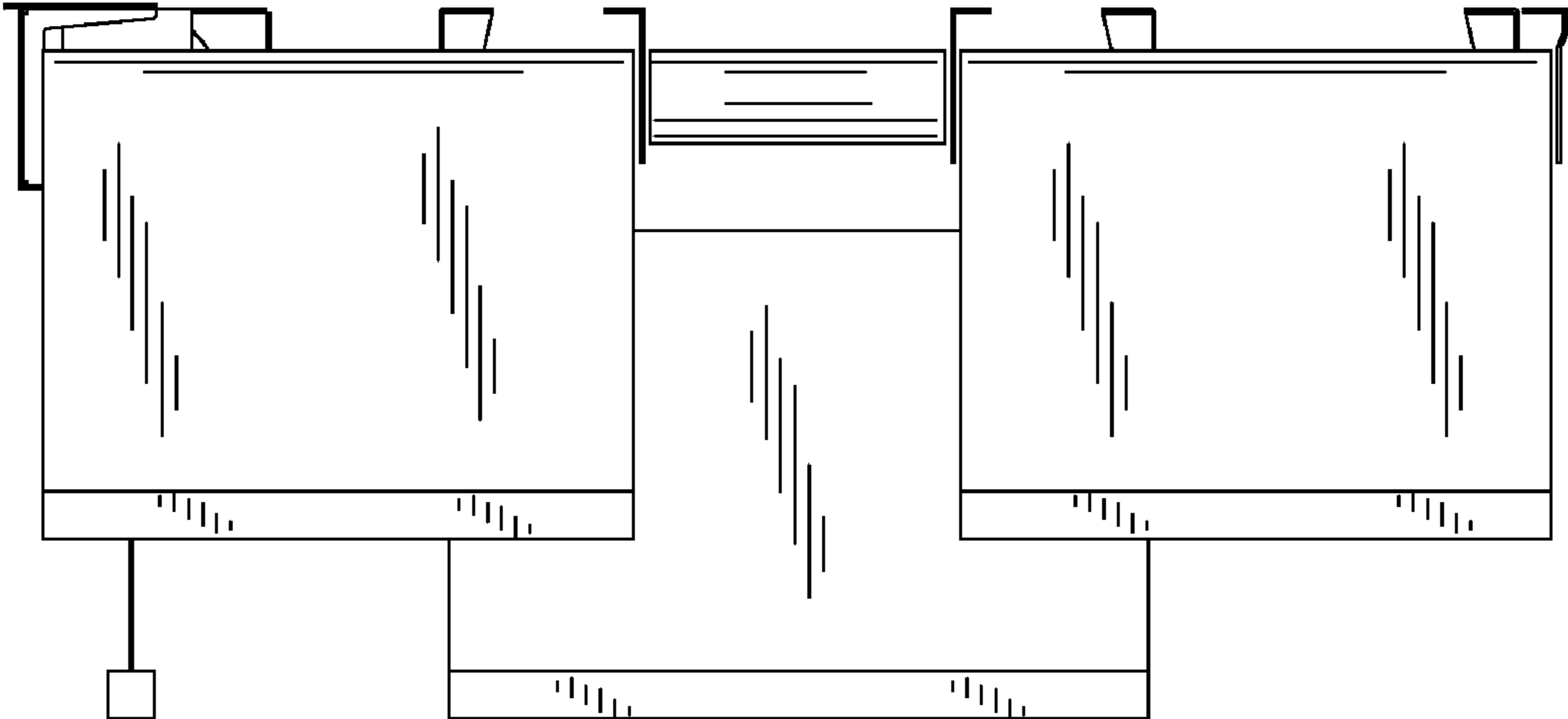


FIG. 2

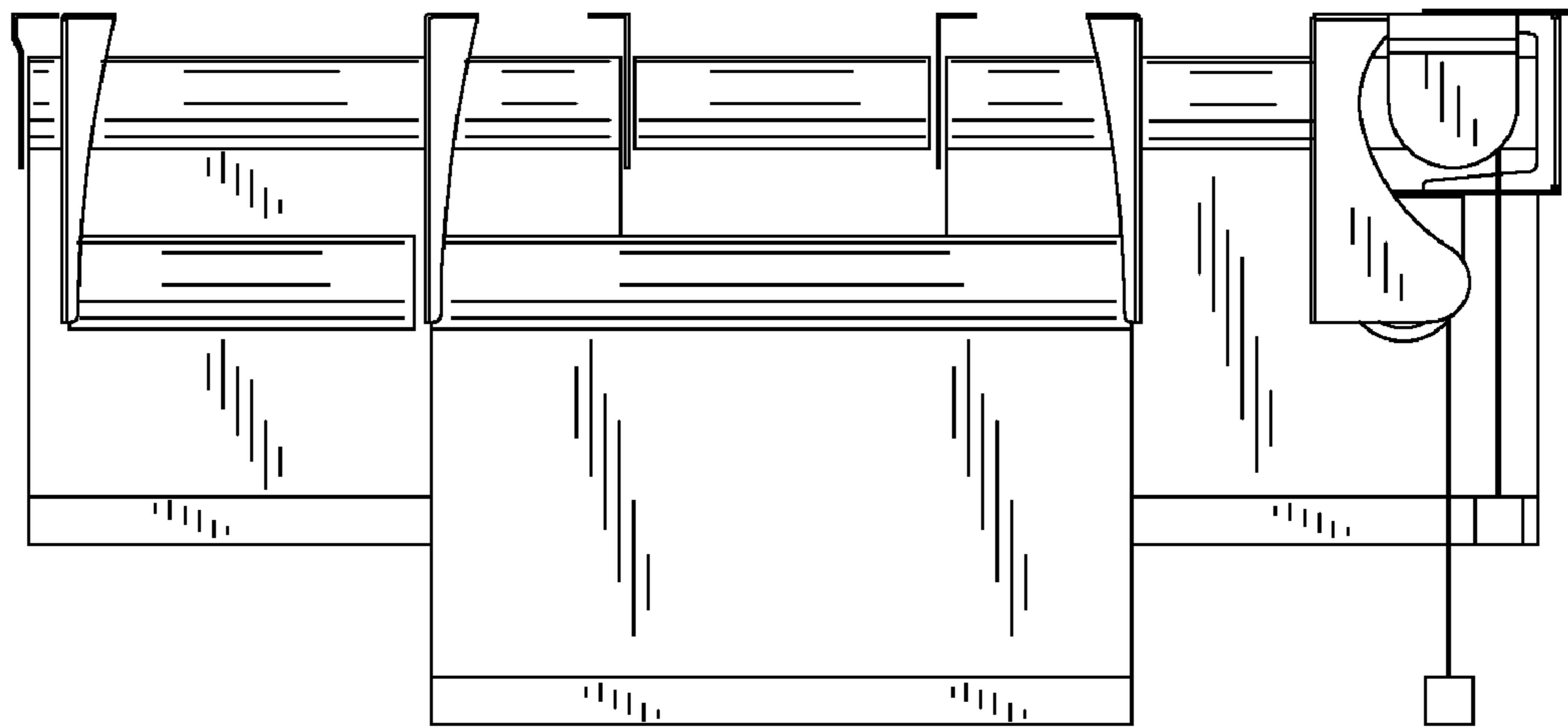


FIG. 3

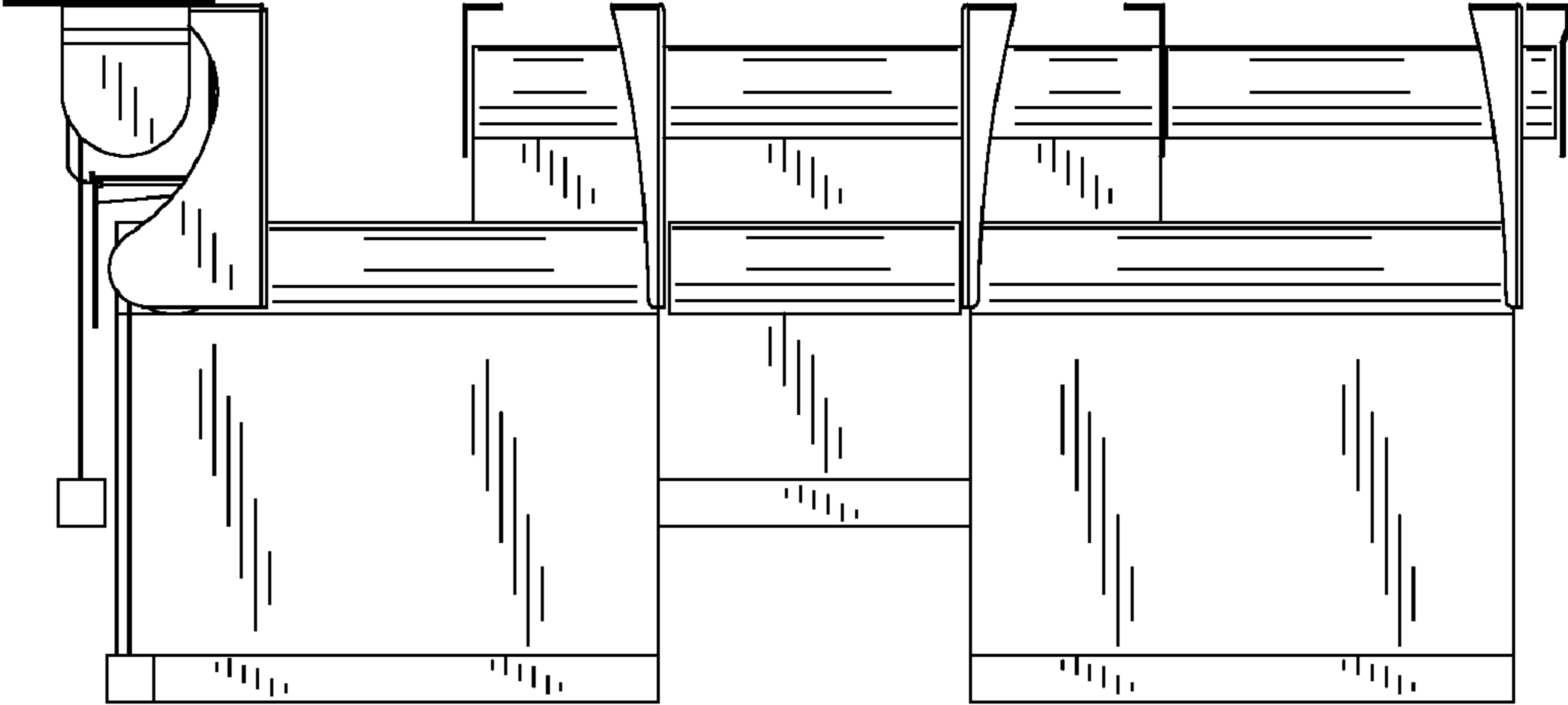


FIG. 4

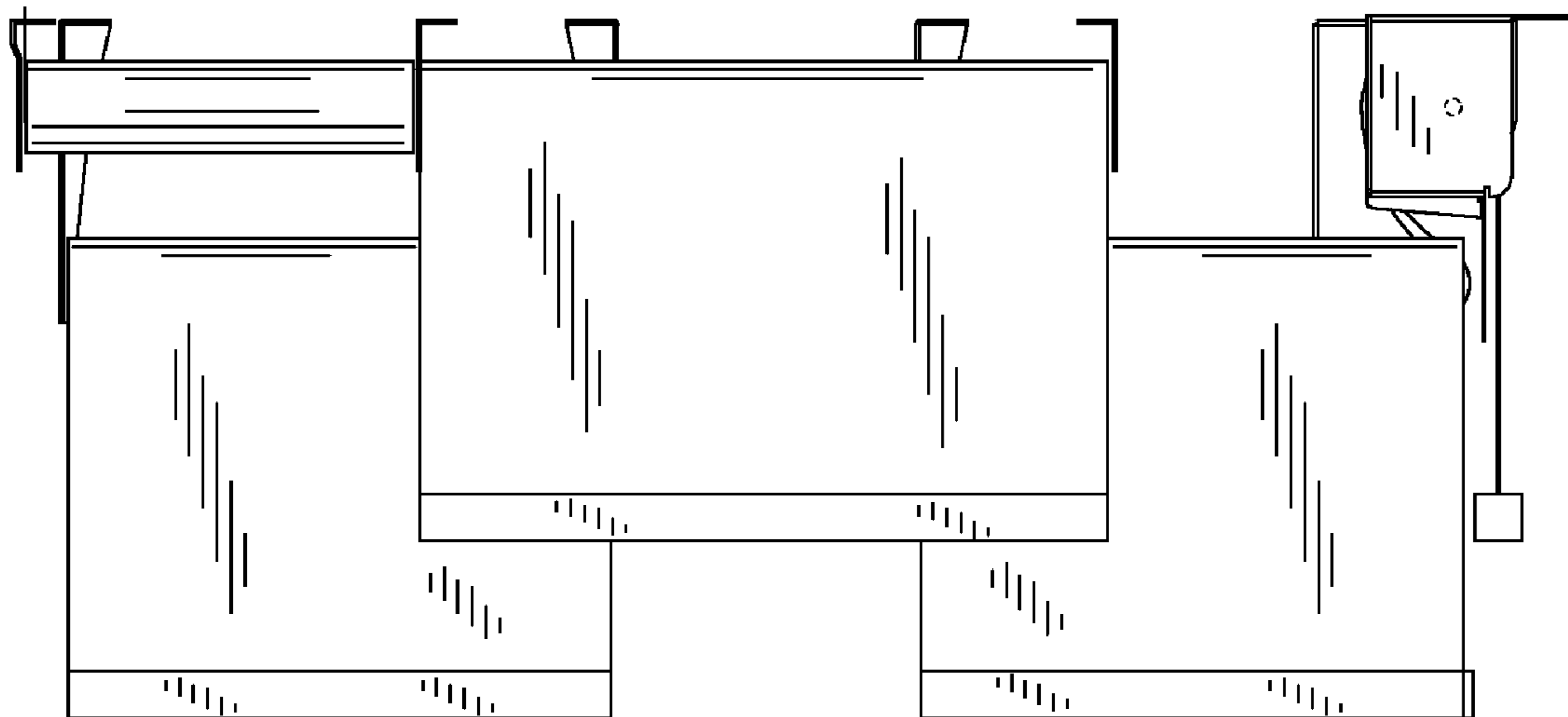


FIG. 5



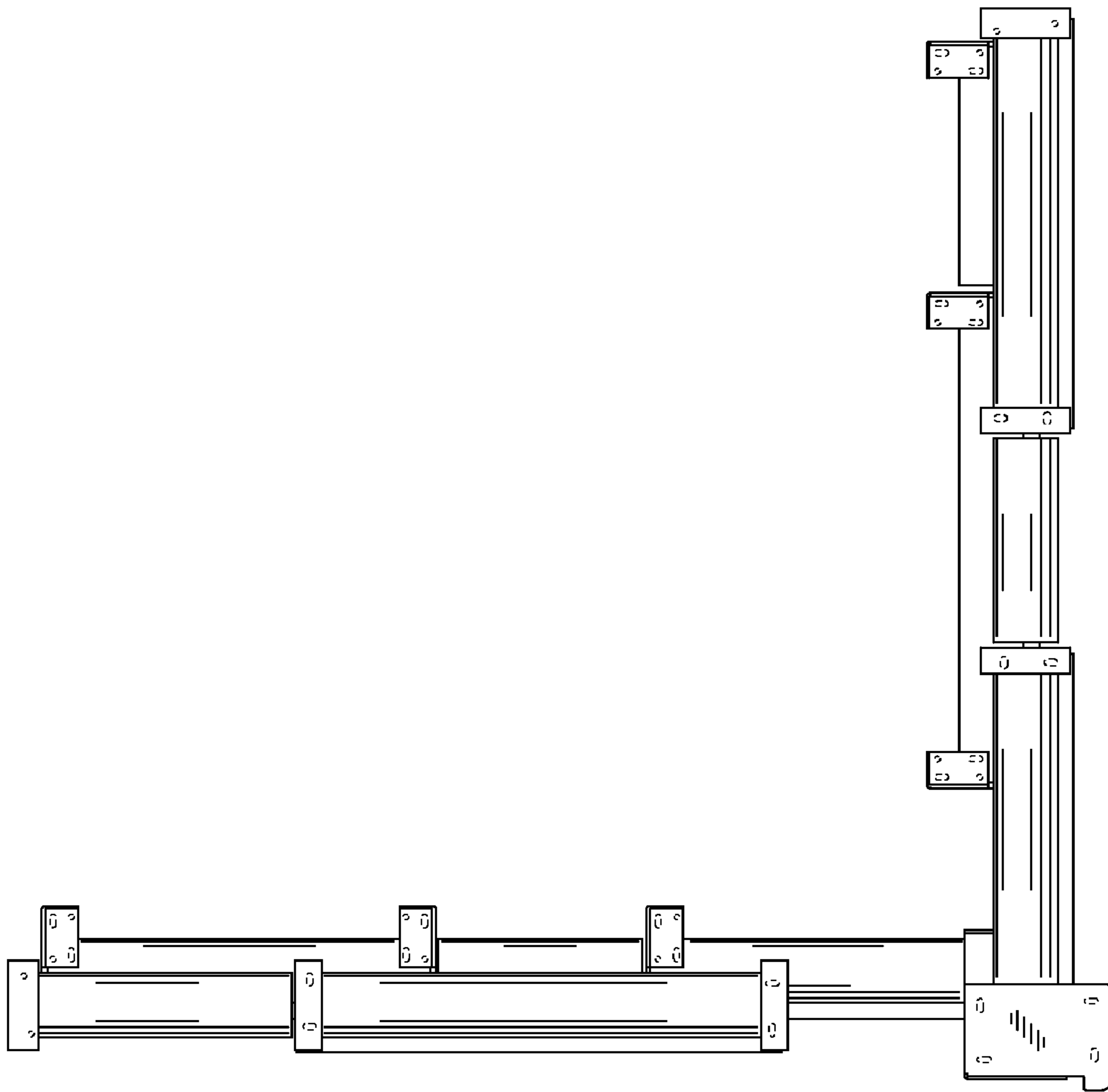


FIG. 6



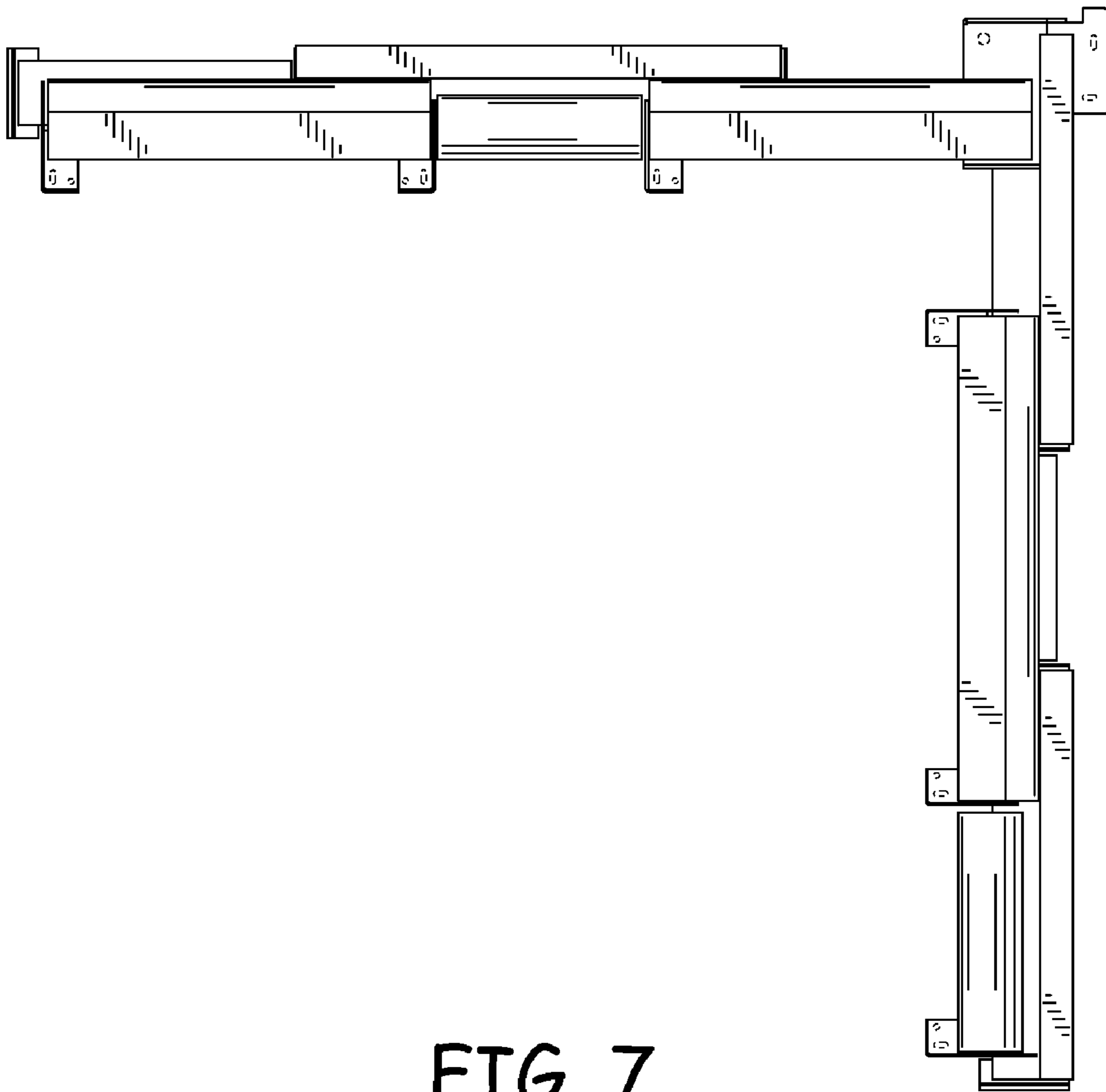


FIG. 7