



US00D632117S

(12) **United States Design Patent**
Gibbs

(10) **Patent No.:** **US D632,117 S**
(45) **Date of Patent:** **** Feb. 8, 2011**

(54) **SMALL FOLD DOWN WALL MOUNT
LAPTOP DESK**

(75) Inventor: **Daryle C. Gibbs**, Dallas, TX (US)
(73) Assignee: **Southern Enterprises, Inc.**, Coppell,
TX (US)
(**) Term: **14 Years**
(21) Appl. No.: **29/367,525**
(22) Filed: **Aug. 9, 2010**

(51) **LOC (9) Cl.** **06-04**
(52) **U.S. Cl.** **D6/555**
(58) **Field of Classification Search** D6/553,
D6/555, 567, 569; 312/114, 126, 128-129,
312/204, 231, 234, 242, 245; 211/13.1, 14,
211/88.01, 134, 126.1

See application file for complete search history.

(56) **References Cited**

U.S. PATENT DOCUMENTS

D179,871 S *	3/1957	Wrablica, Jr.	D6/555
D344,869 S	3/1994	Paradis et al.		
D395,185 S *	6/1998	Neufeld et al.	D6/555
D489,208 S	5/2004	Noblet et al.		
D544,275 S *	6/2007	Tanus	D6/555
D549,025 S *	8/2007	Van Alstyne	D6/555
D592,435 S *	5/2009	Jasman	D6/555
D604,080 S	11/2009	Stolp		
D618,939 S	7/2010	Gibbs		

* cited by examiner

Primary Examiner—Brian N Vinson

(74) *Attorney, Agent, or Firm*—Marsteller & Associates, P.C.

(57) **CLAIM**

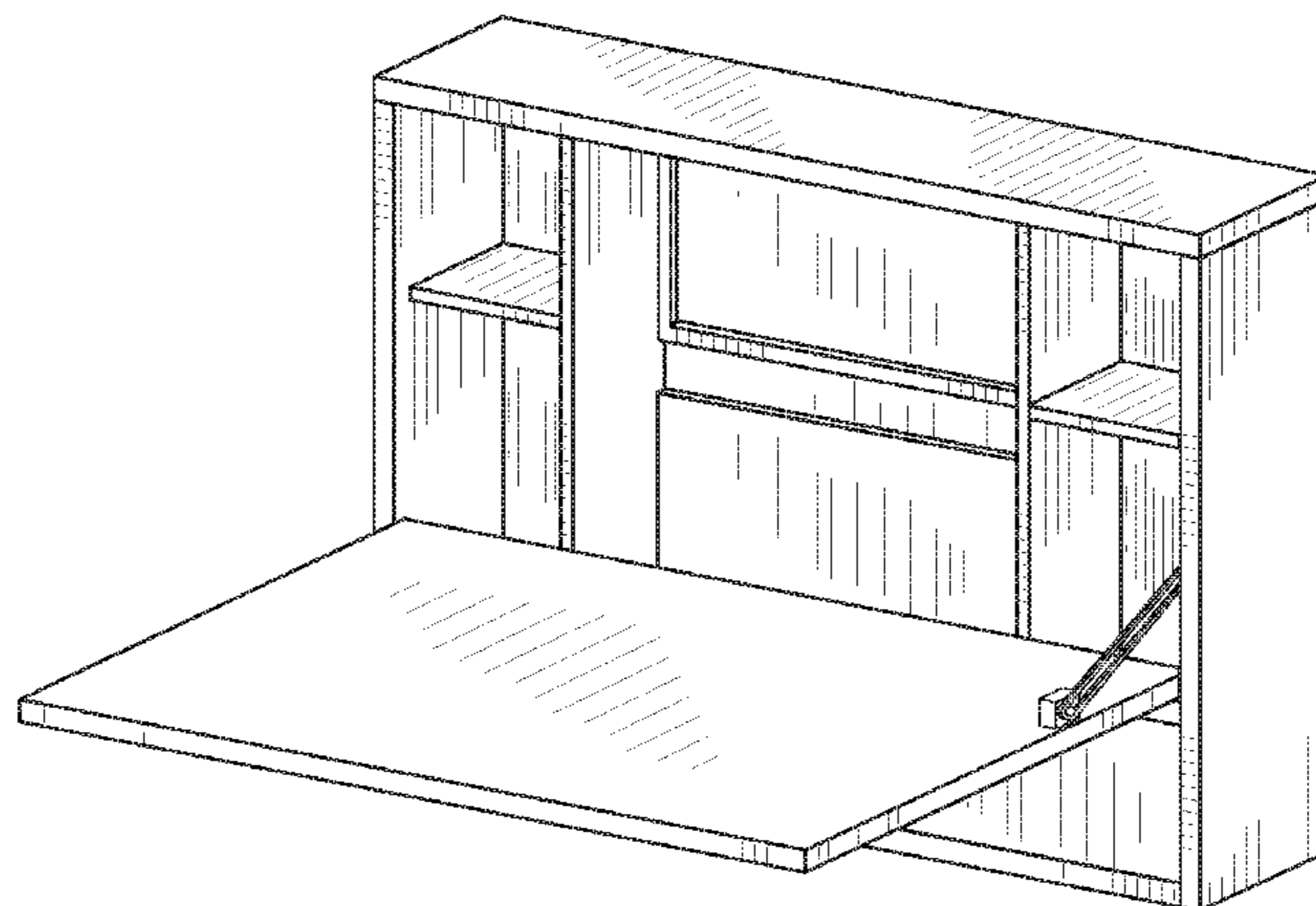
The ornamental design for a small fold down wall mount laptop desk, as shown and described.

DESCRIPTION

FIG. 1 is a perspective view of a wall mount desk showing my new design in a configuration with the working surface and drawer in closed positions.

FIG. 2 is a frontal view thereof.
 FIG. 3 is a rear view thereof.
 FIG. 4 is a top view thereof.
 FIG. 5 is a bottom view thereof.
 FIG. 6 is a left side view thereof.
 FIG. 7 is a right side view thereof.
 FIG. 8 is a perspective view of the wall mount desk showing my new design in a configuration with the working surface in a closed position and the drawer in a partially open or extended position.
 FIG. 9 is a frontal view of the wall mount desk depicted in FIG. 8.
 FIG. 10 is a top view of the wall mount desk depicted in FIG. 8.
 FIG. 11 is a bottom view of the wall mount desk depicted in FIG. 8.
 FIG. 12 is a left side view of the wall mount desk depicted in FIG. 8.
 FIG. 13 is a right side view of the wall mount desk depicted in FIG. 8.
 FIG. 14 is a perspective view of the wall mount desk showing my new design in a configuration with the working surface in an open or extended position and the drawer in a closed position.
 FIG. 15 is a frontal view of the wall mount desk depicted in FIG. 14.
 FIG. 16 is a top view of the wall mount desk depicted in FIG. 14.
 FIG. 17 is a bottom view of the wall mount desk depicted in FIG. 14.
 FIG. 18 is a left side view of the wall mount desk depicted in FIG. 14; and,
 FIG. 19 is a right side view of the wall mount desk depicted in FIG. 14.

1 Claim, 12 Drawing Sheets



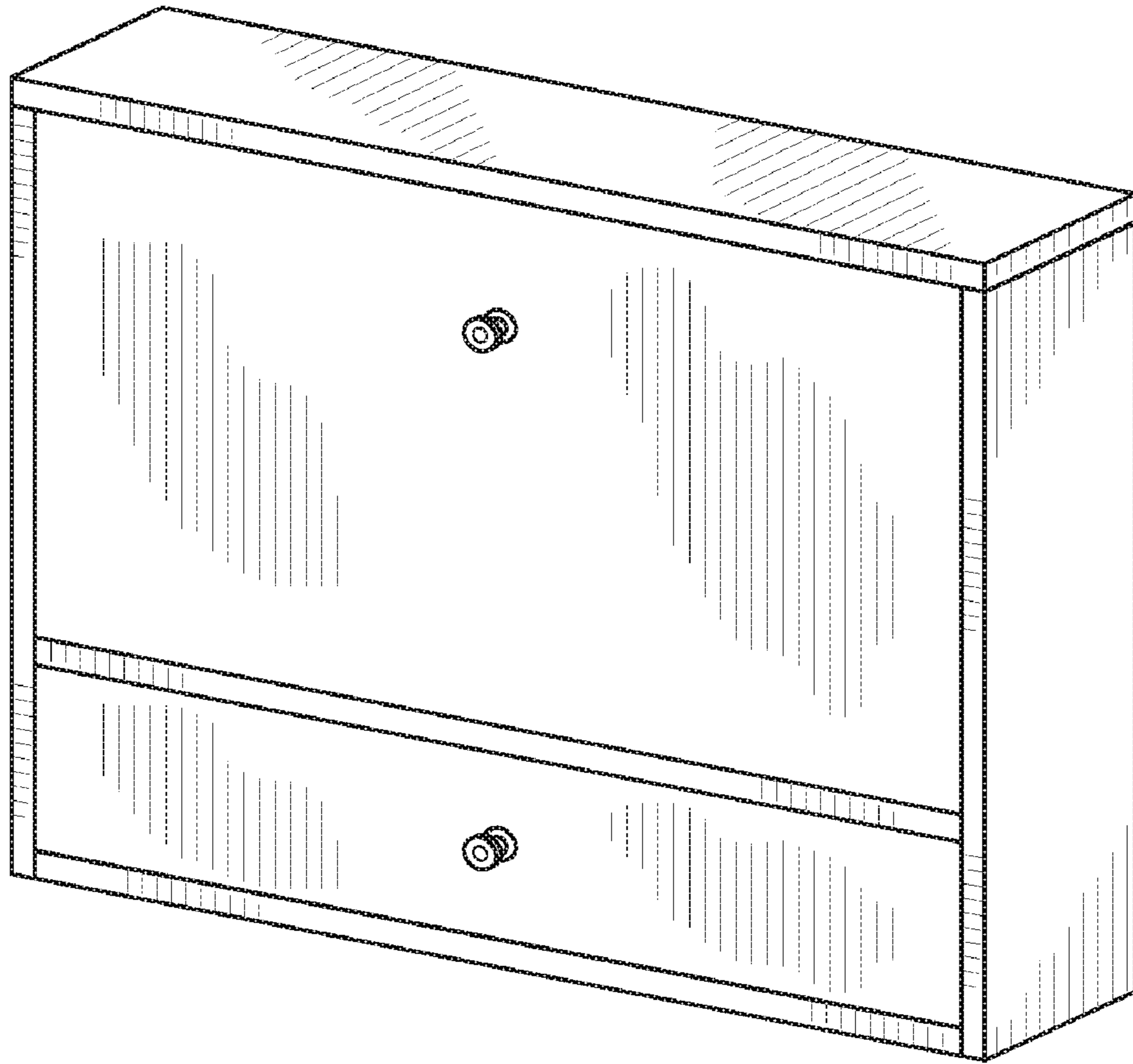


FIG. 1

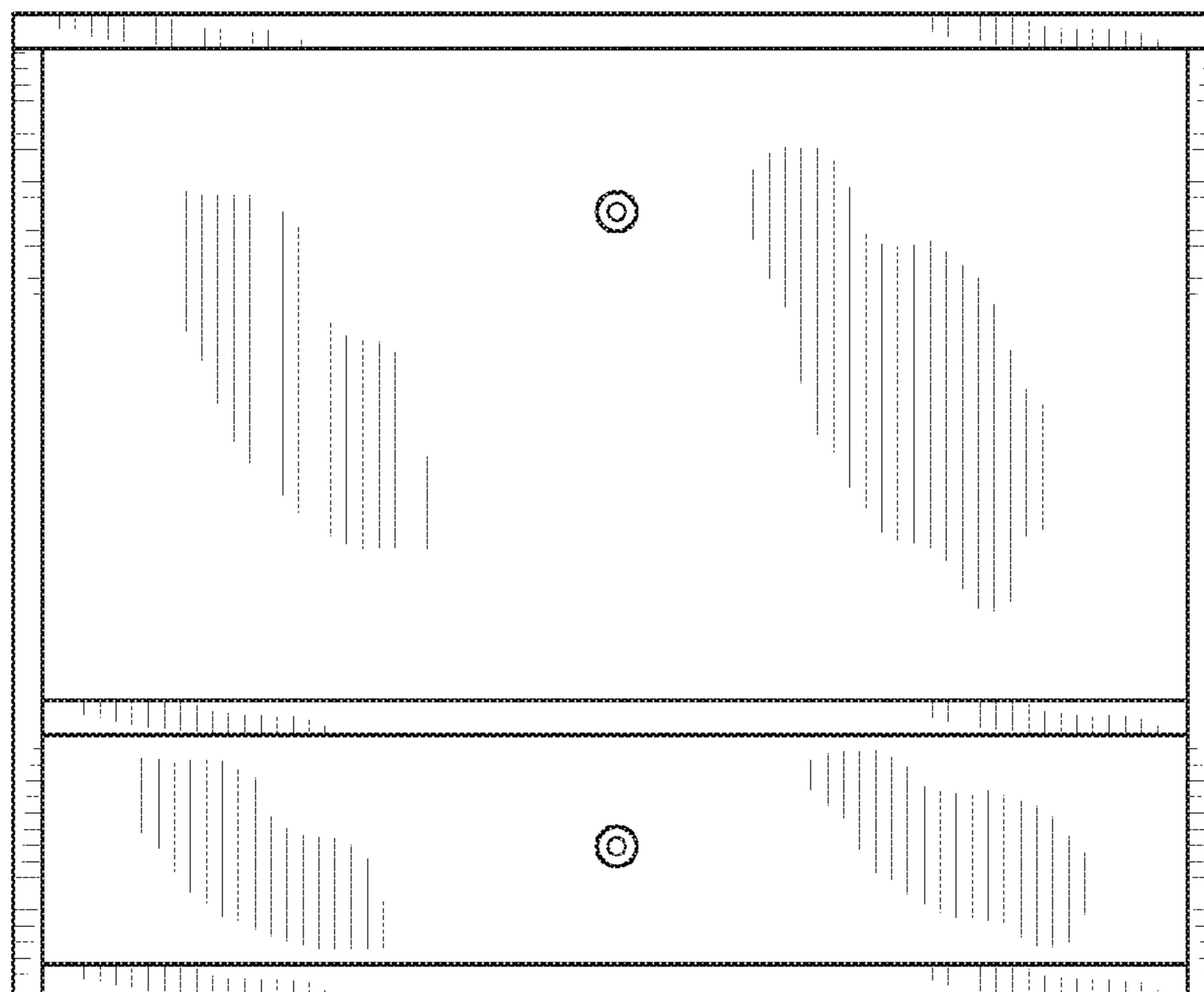


FIG. 2

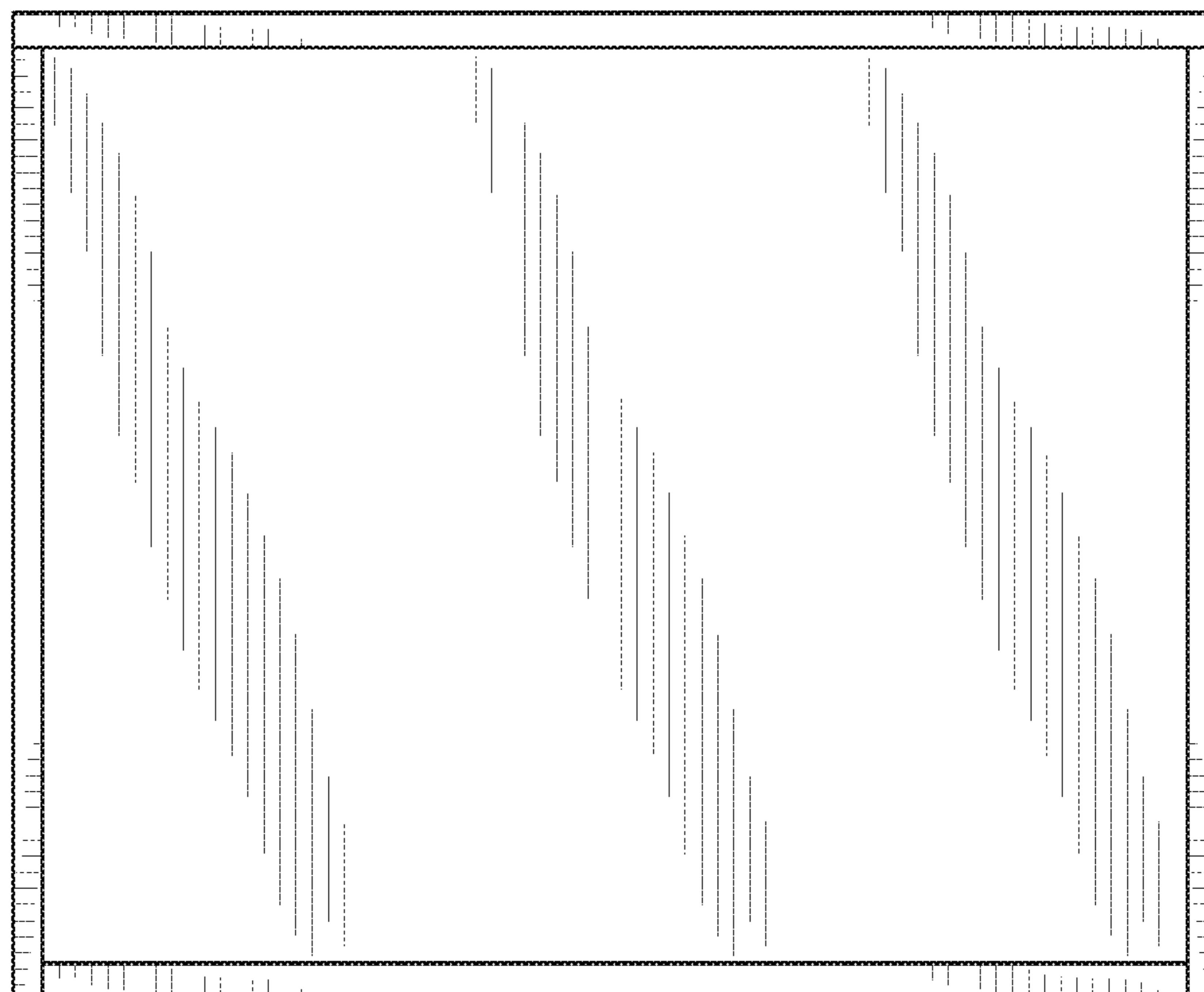


FIG. 3

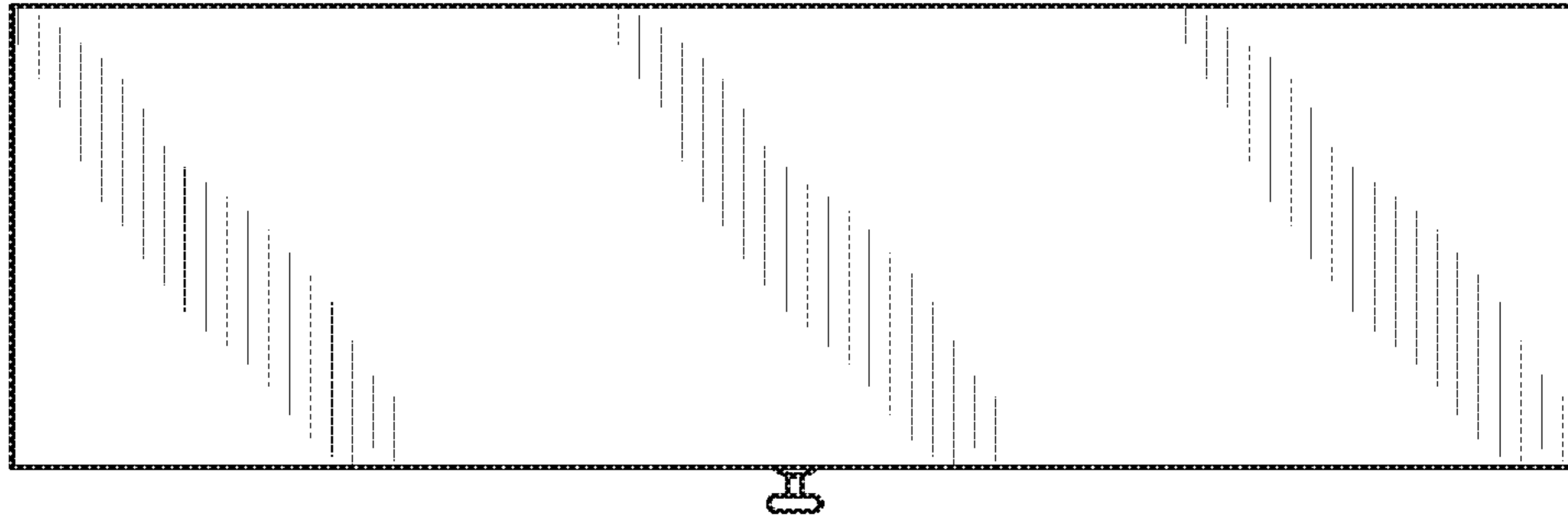


FIG. 4

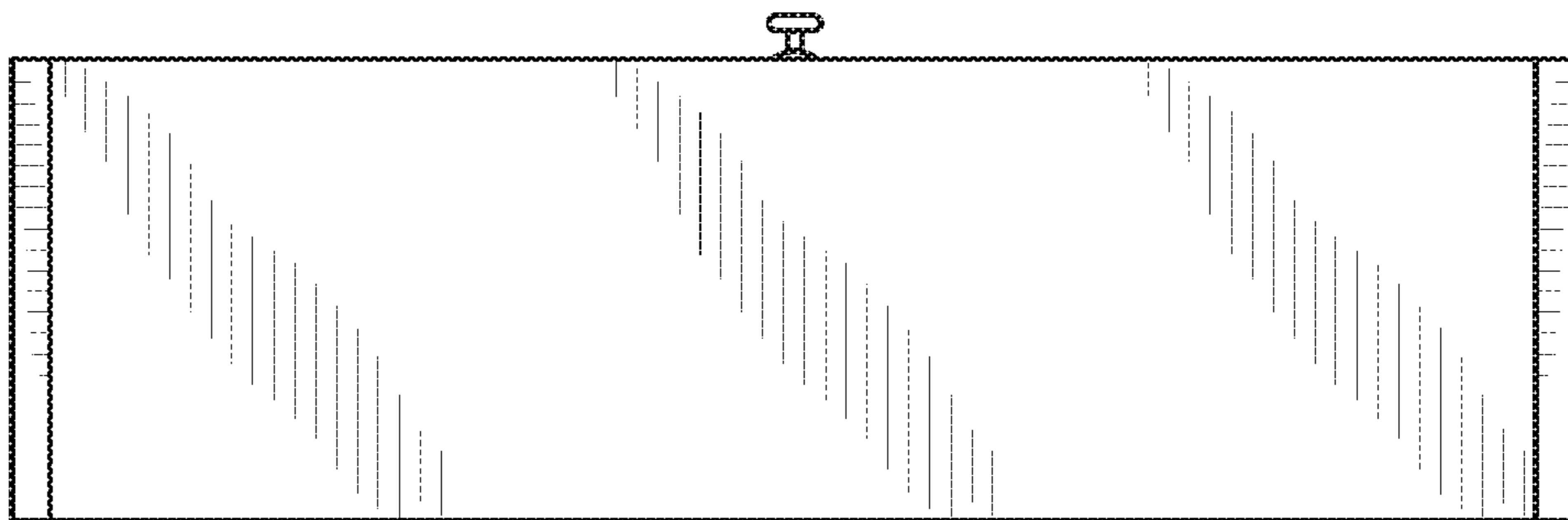


FIG. 5

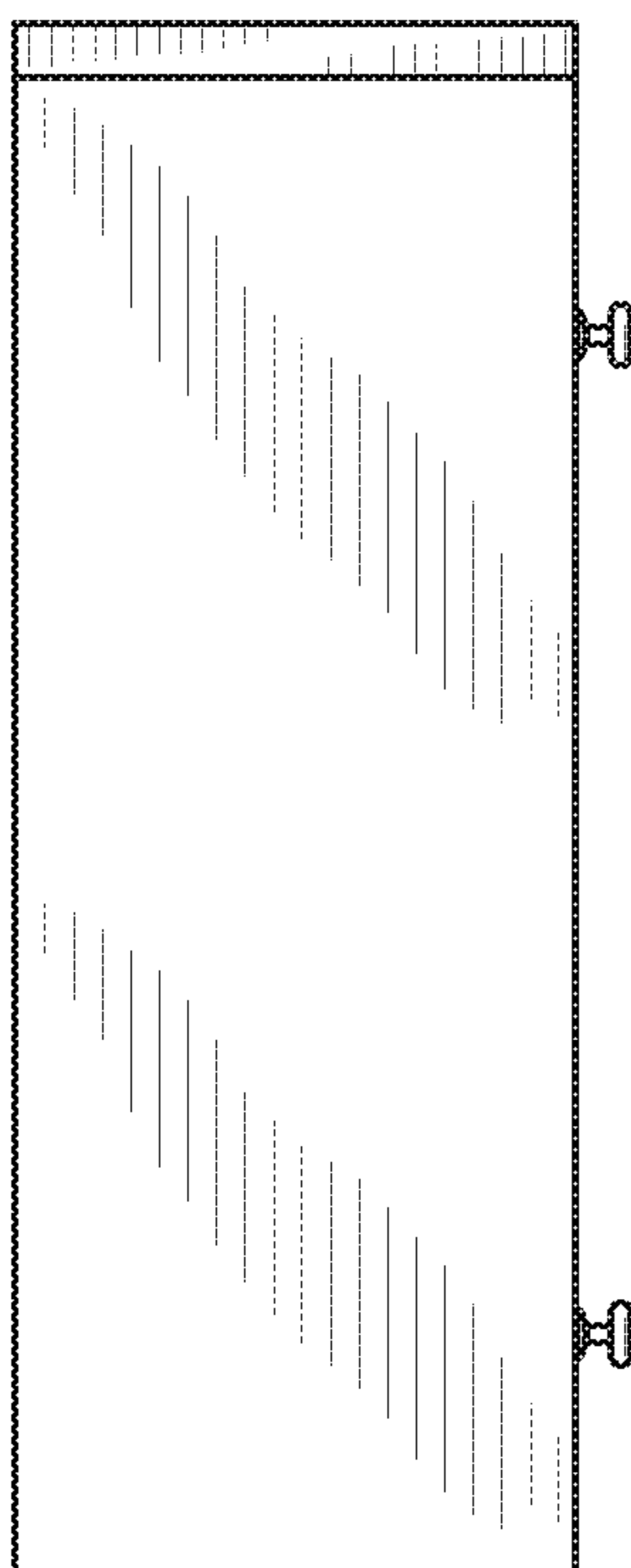


FIG. 6

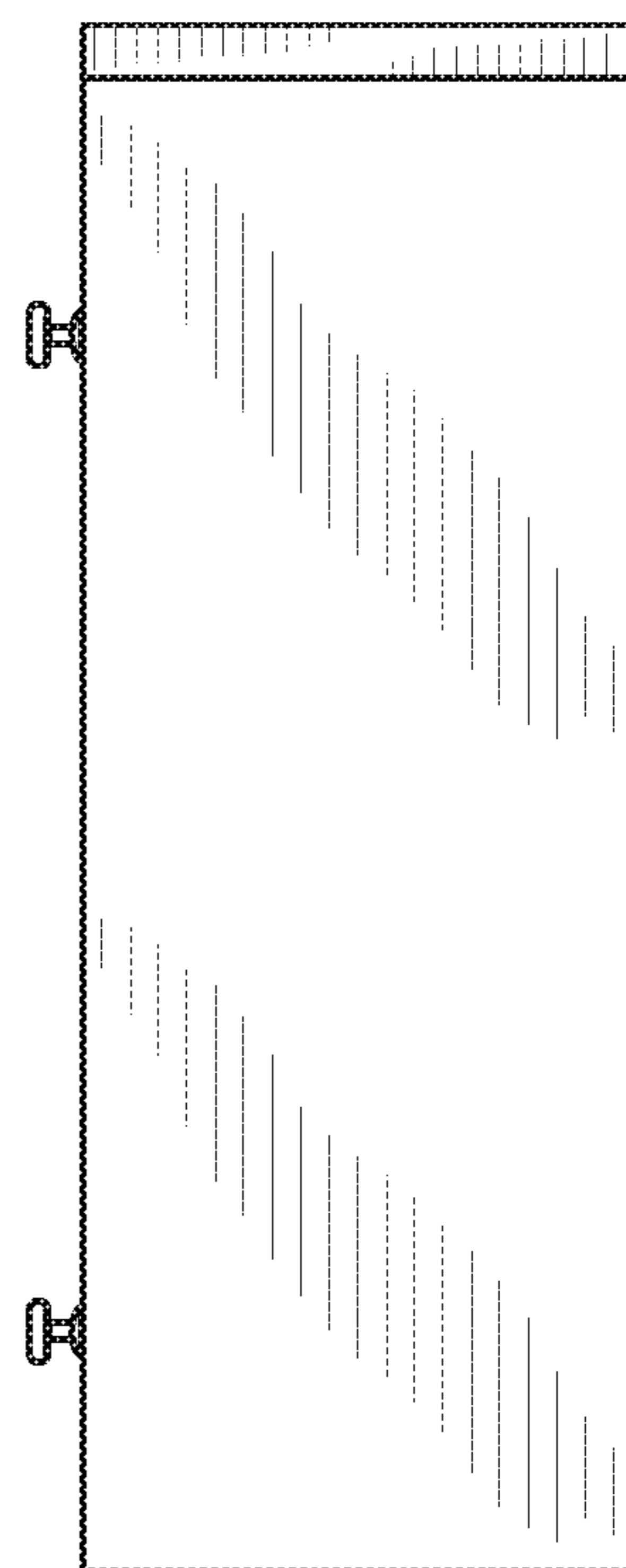


FIG. 7

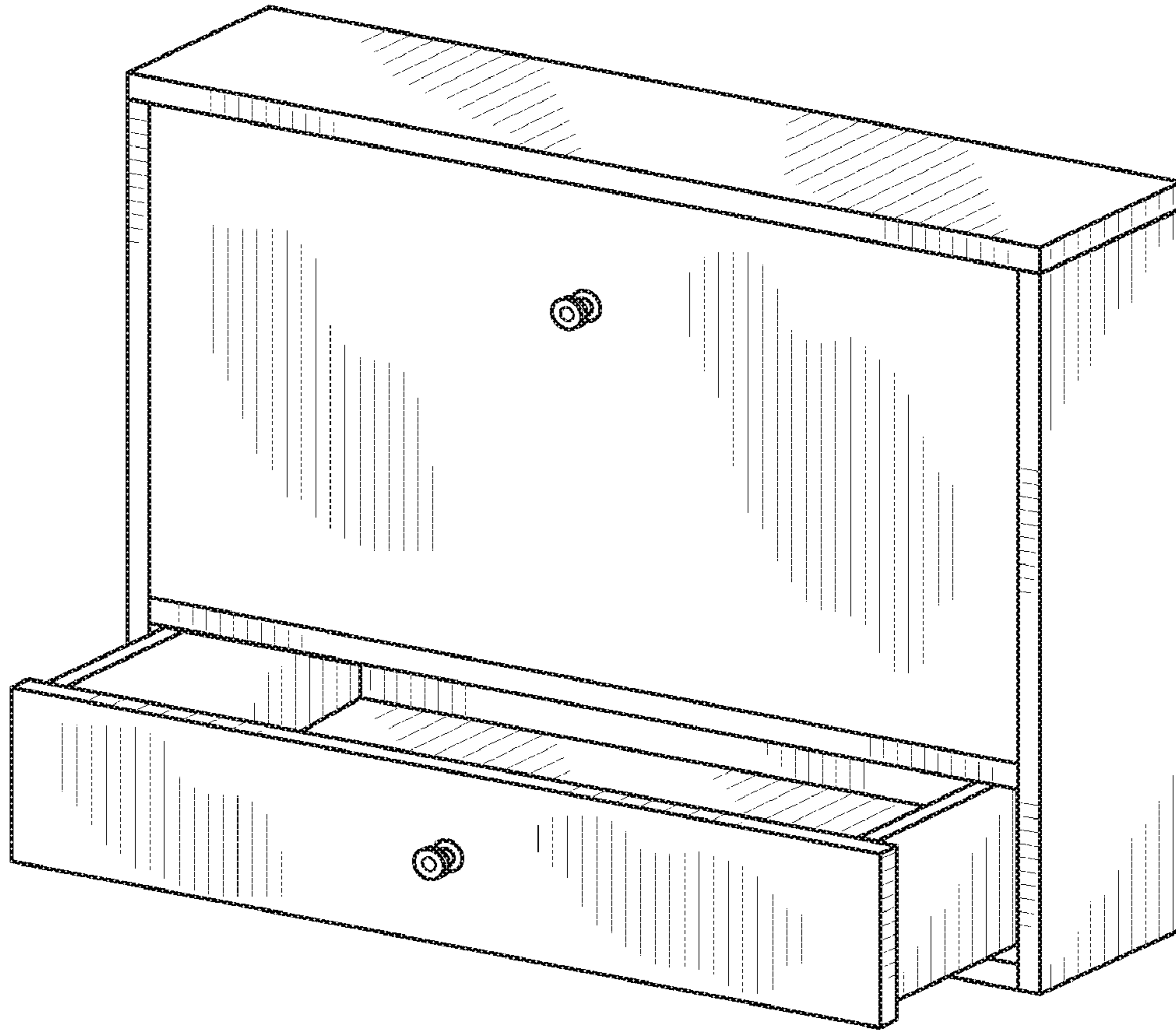


FIG. 8

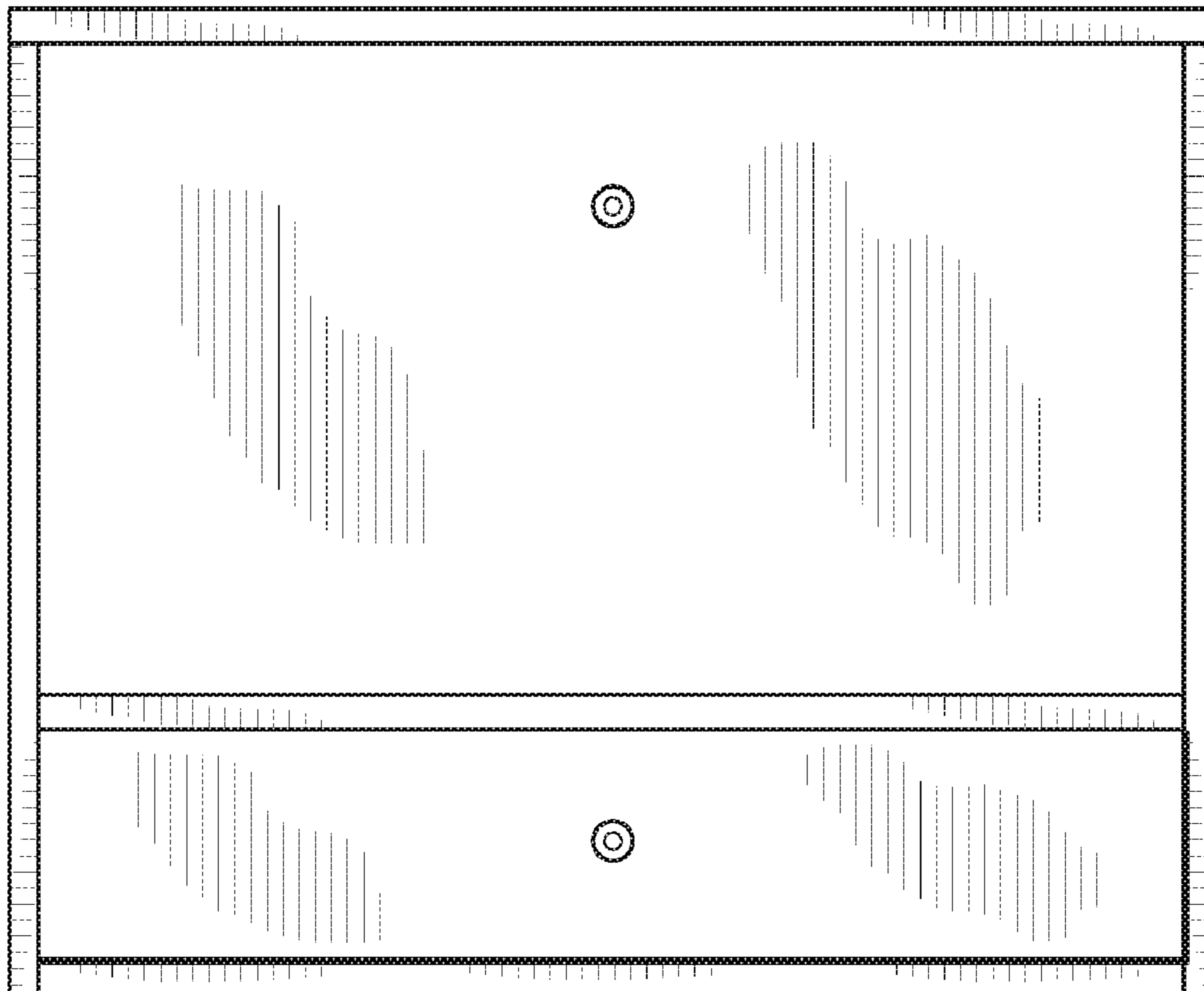


FIG. 9

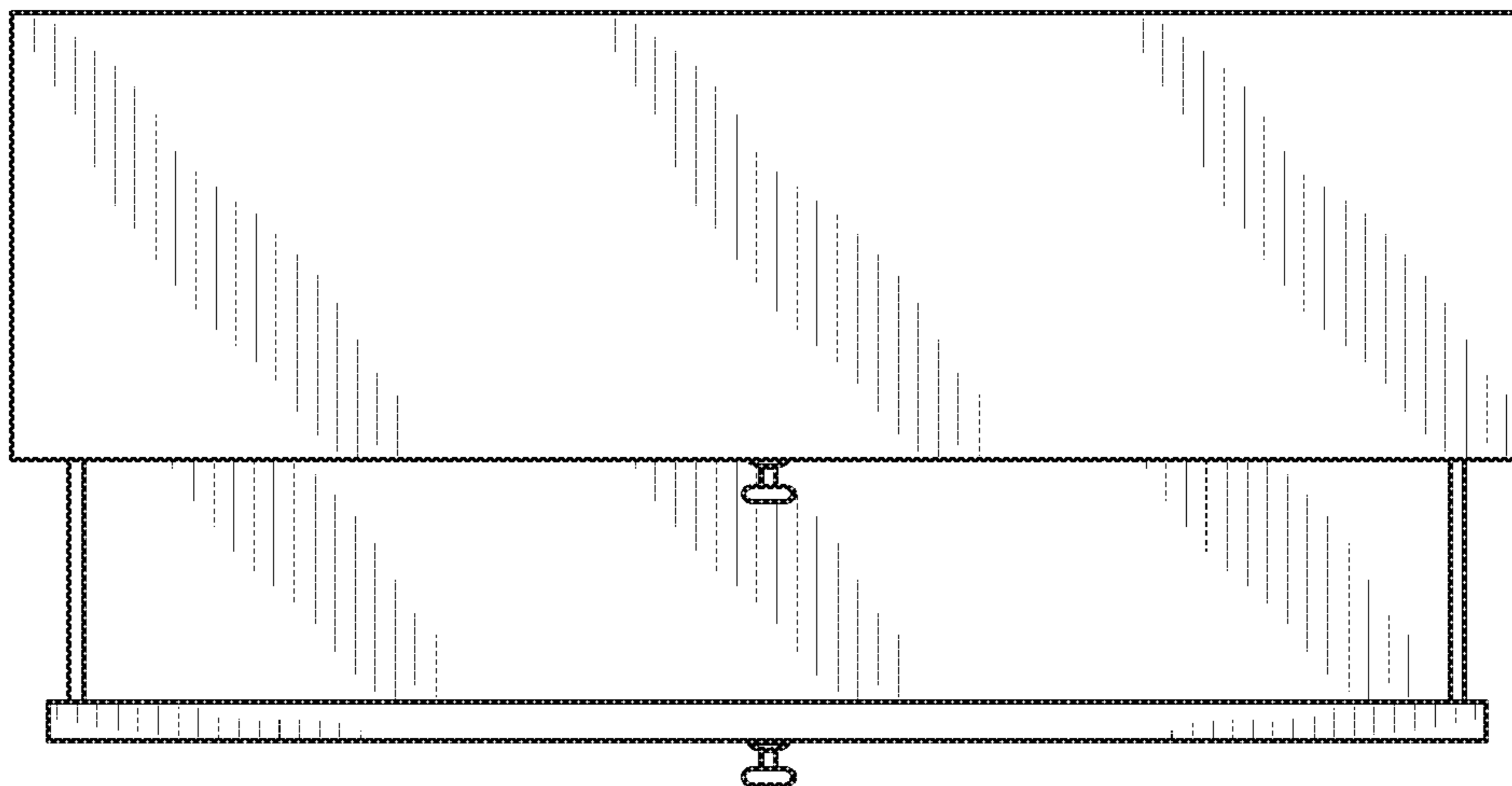


FIG. 10

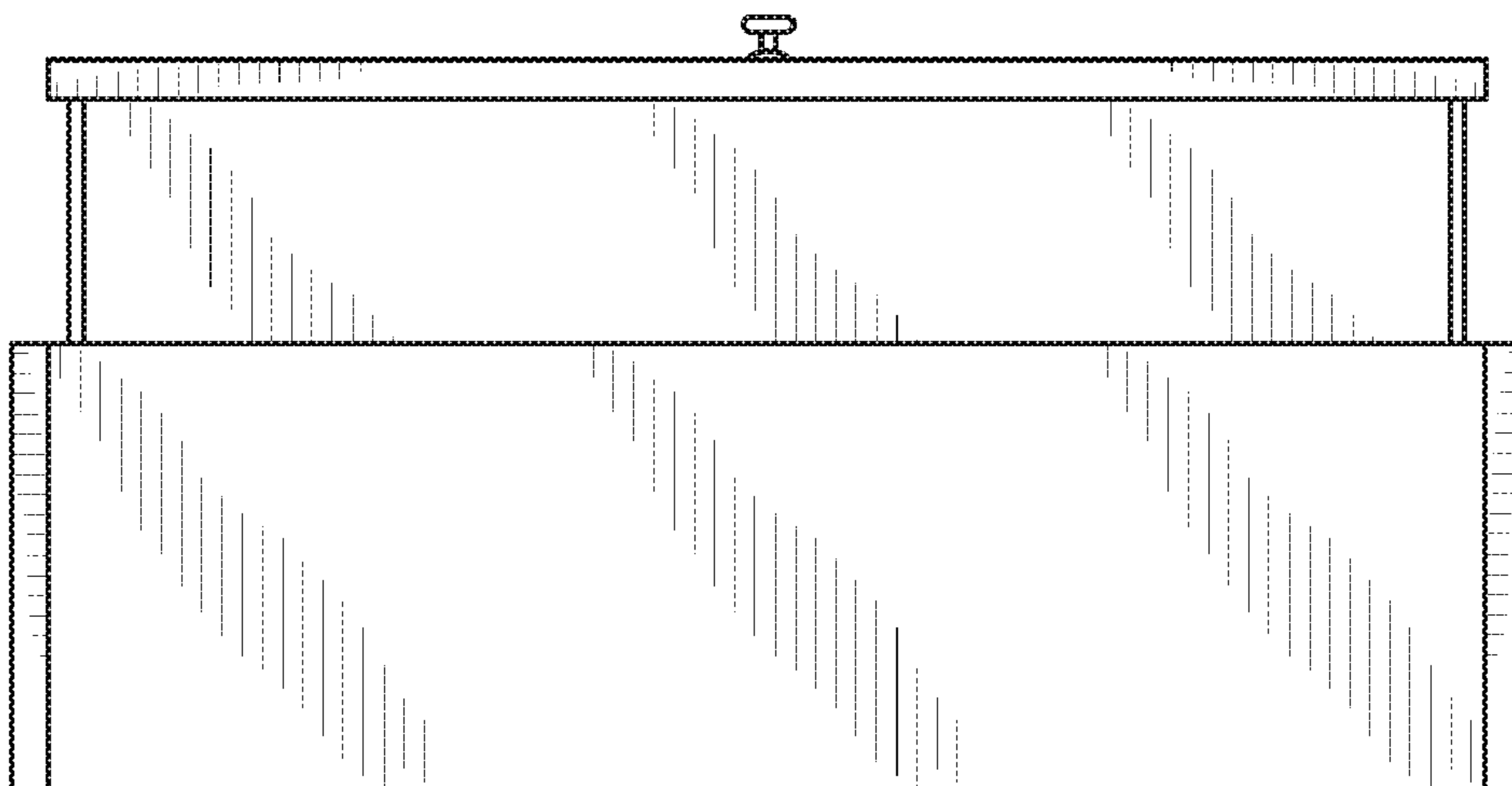


FIG. 11

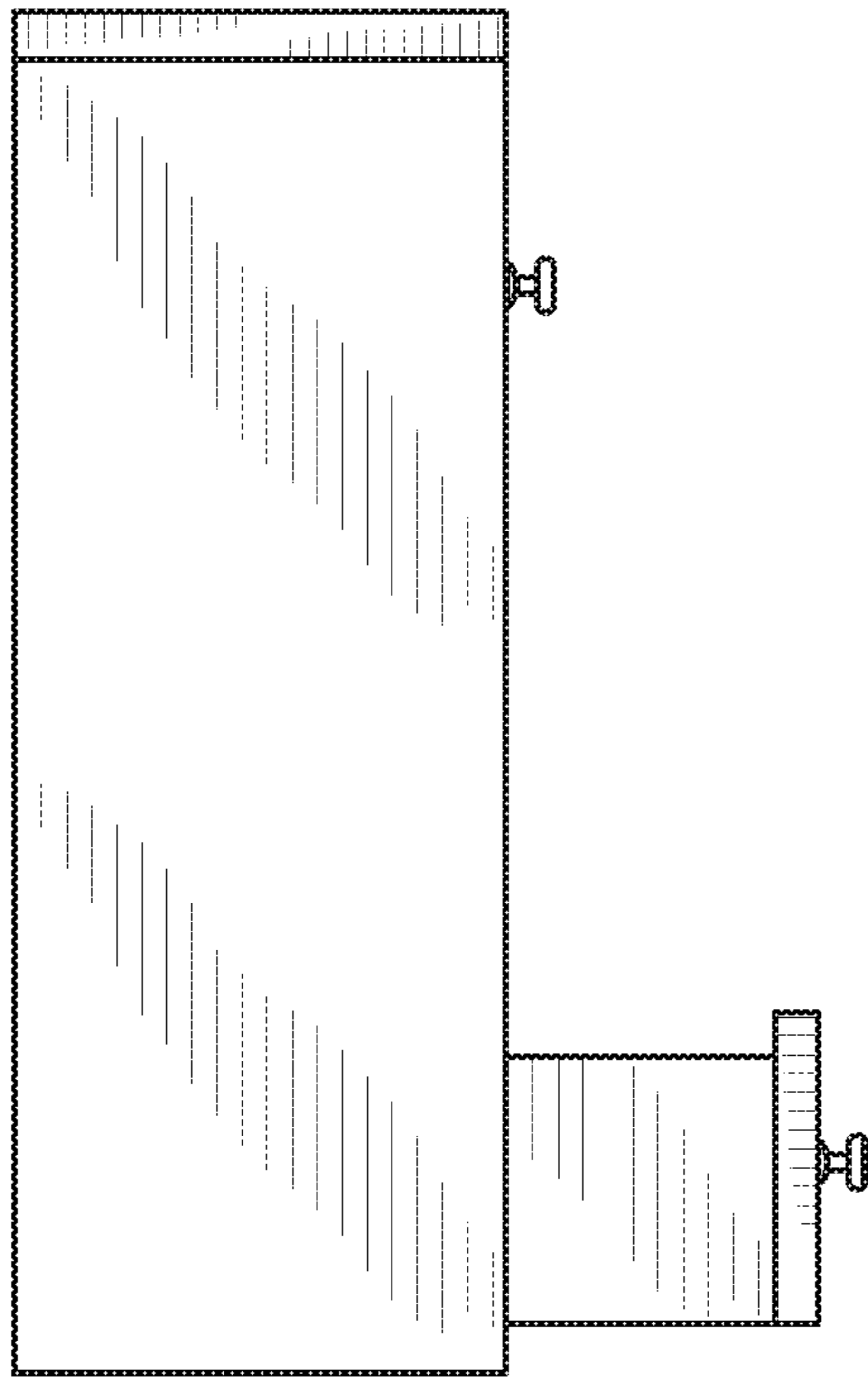


FIG. 12

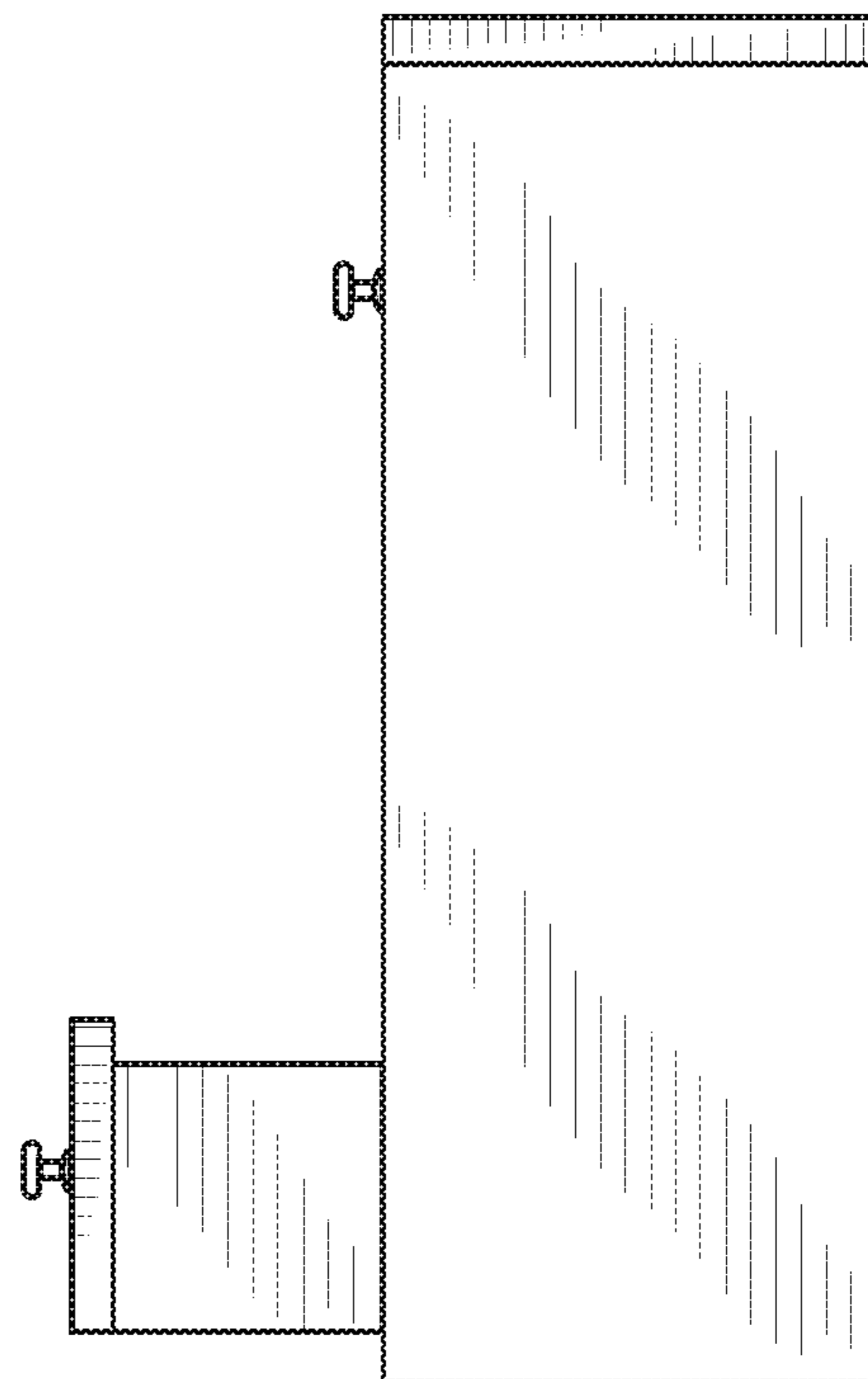


FIG. 13

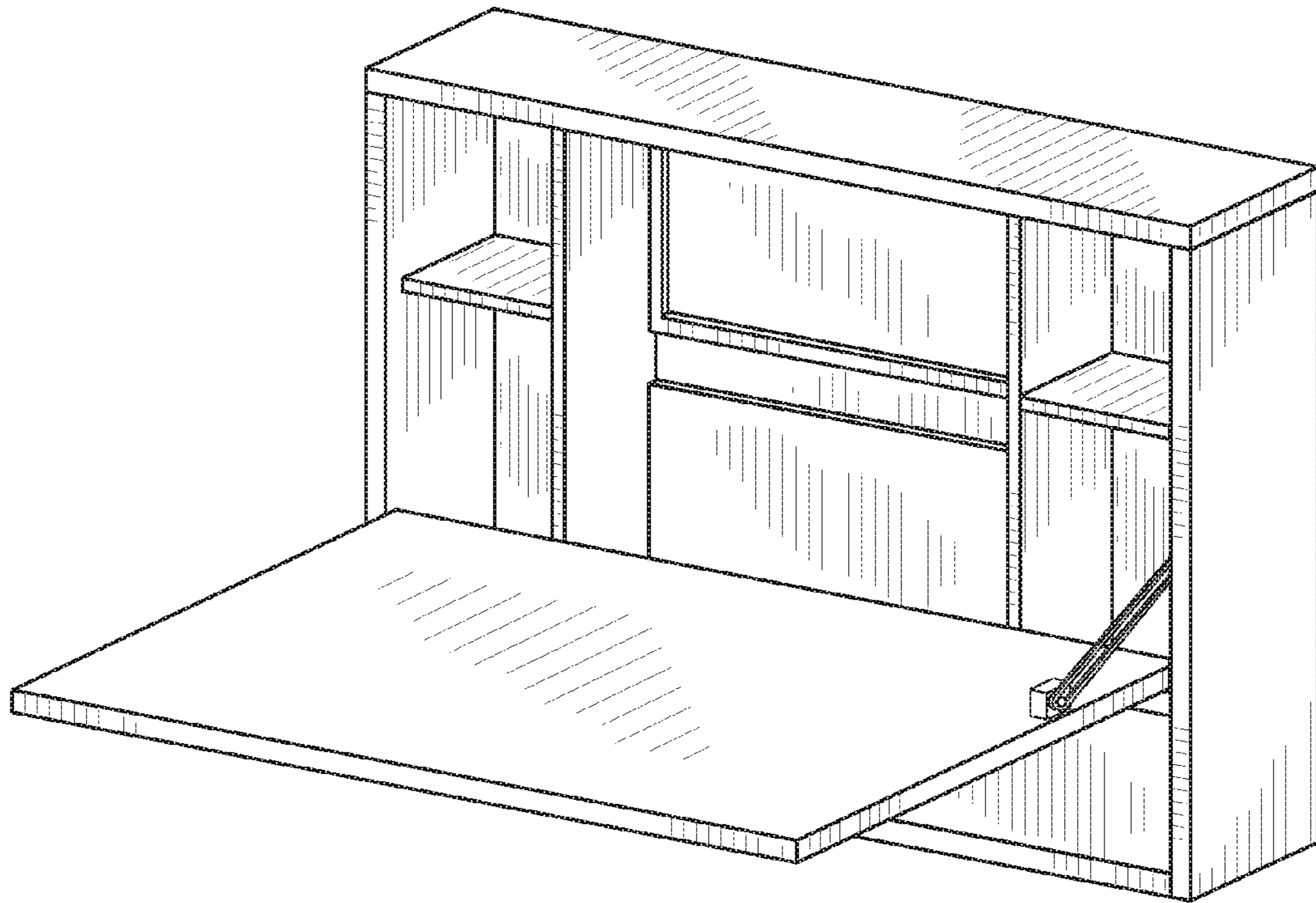


FIG. 14

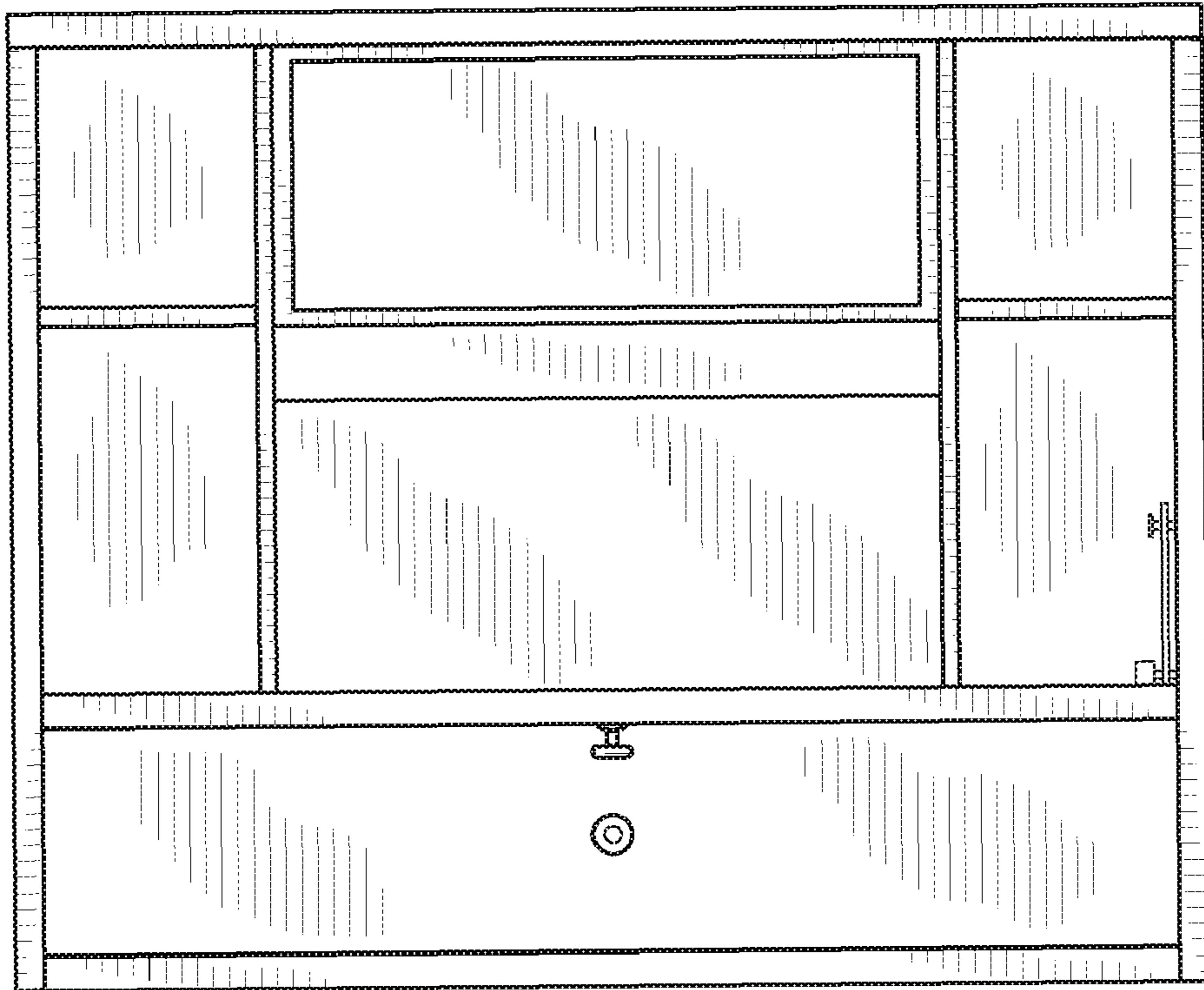


FIG. 15

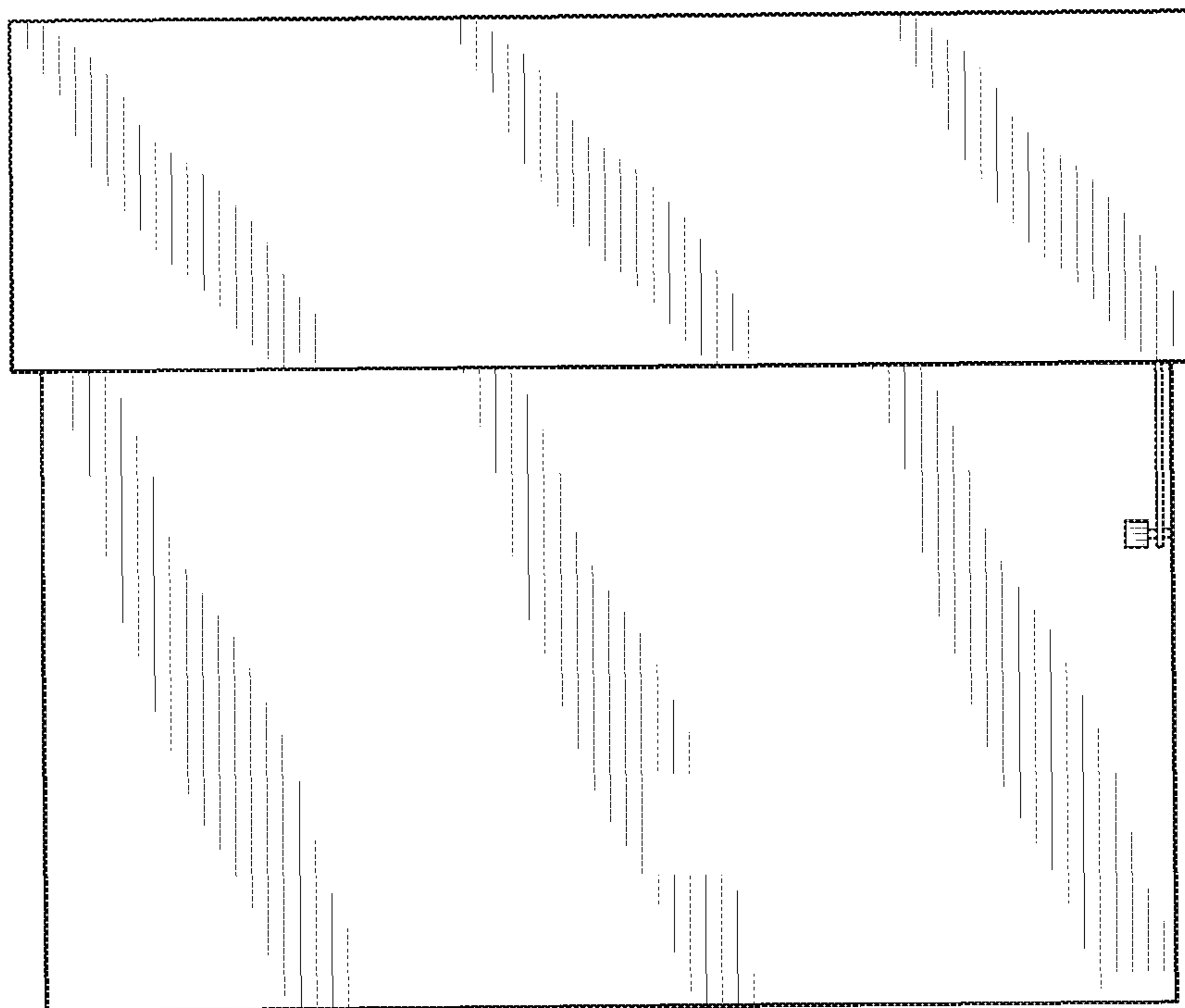


FIG. 16

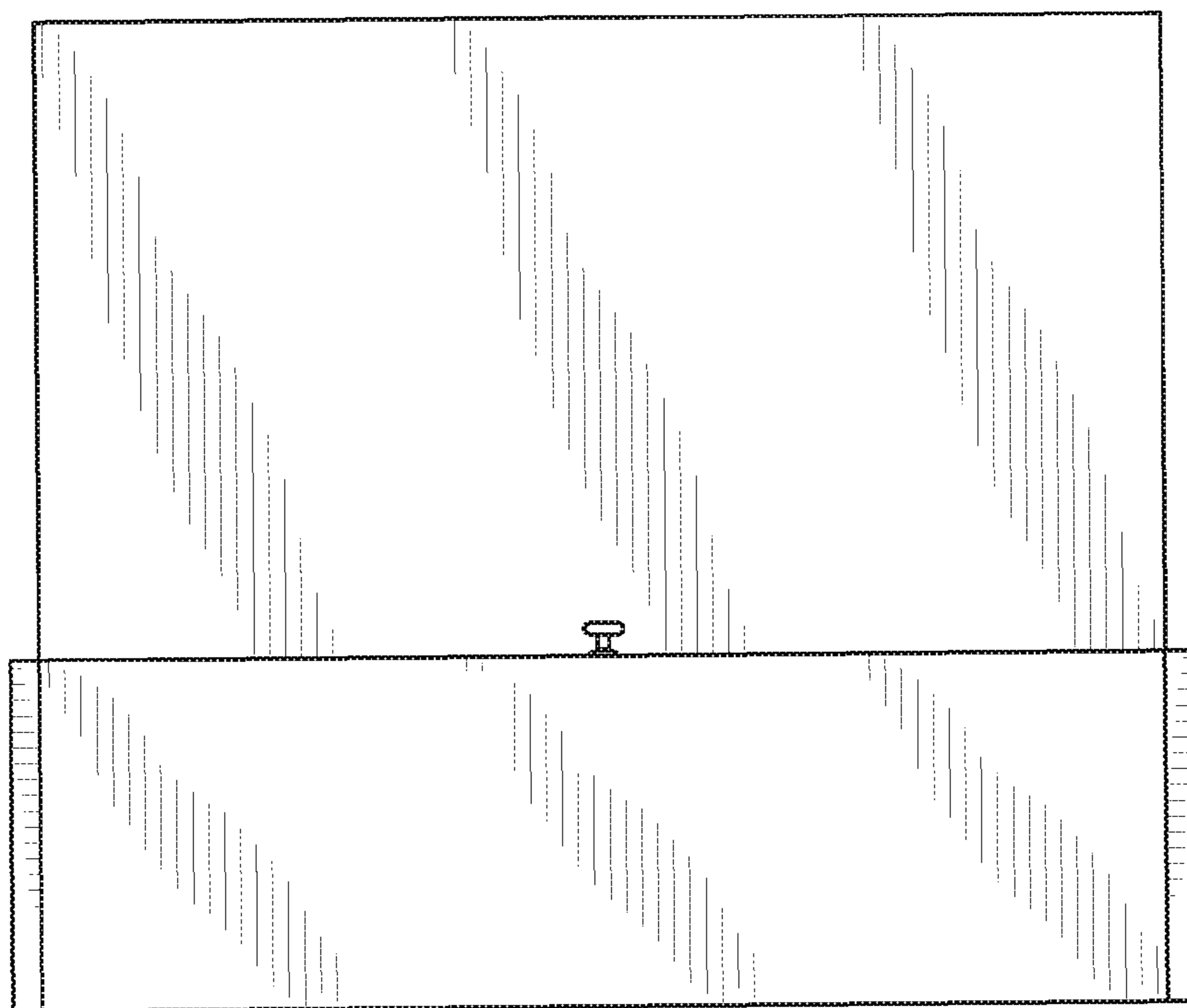


FIG. 17

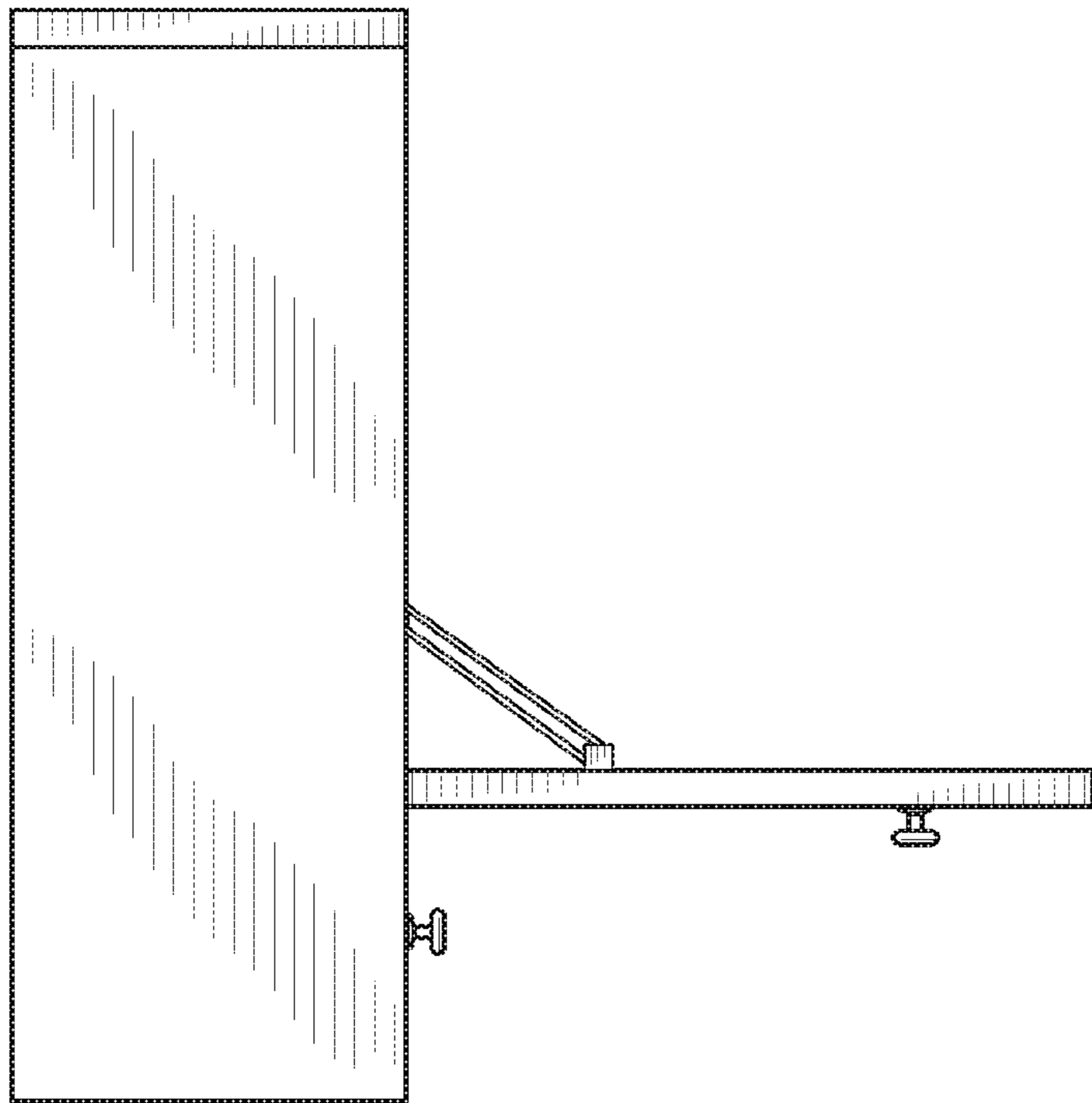


FIG. 18

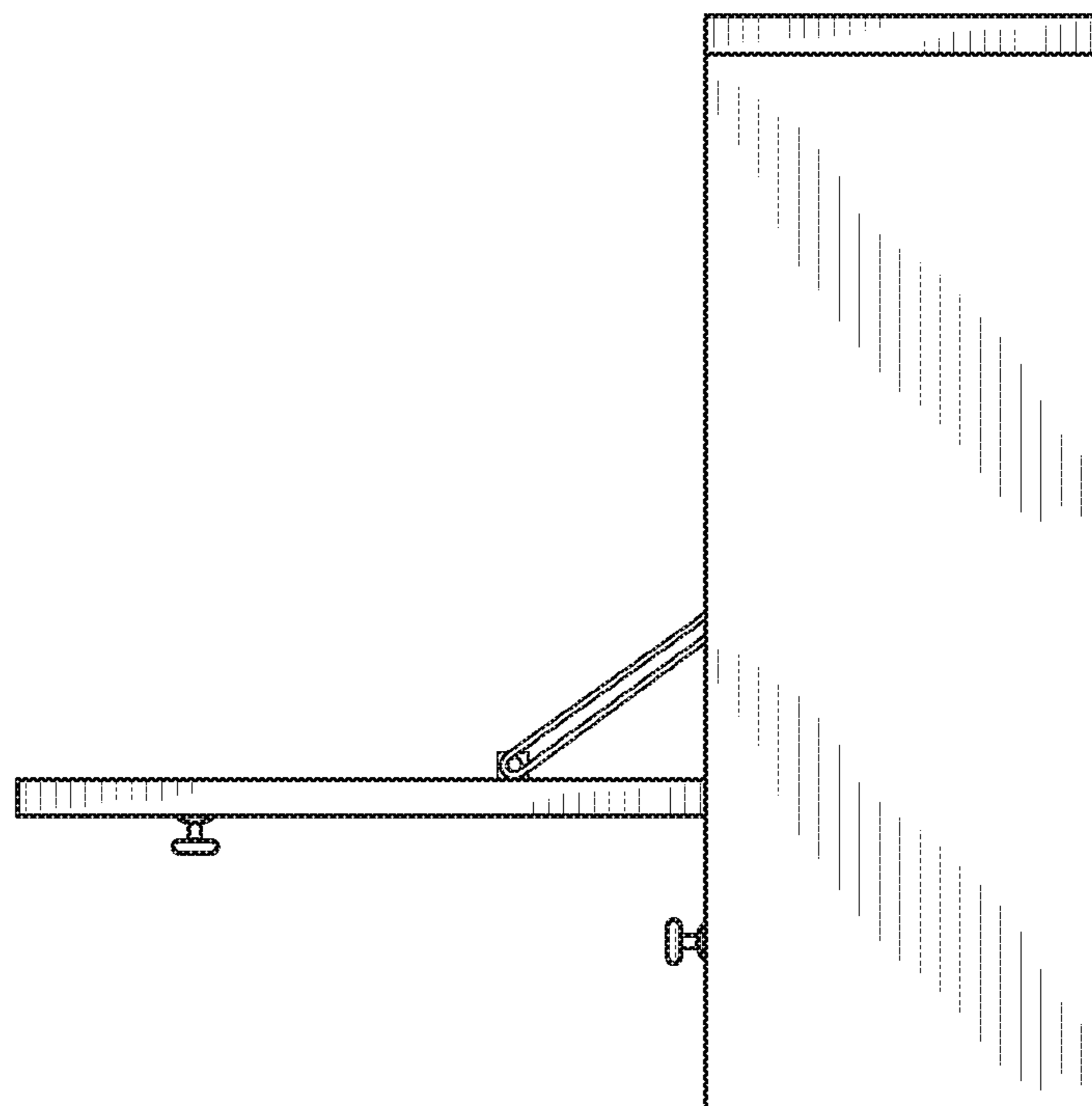


FIG. 19