



US00D632112S

(12) **United States Design Patent**
Sakuma

(10) **Patent No.:** **US D632,112 S**
(45) **Date of Patent:** **** Feb. 8, 2011**

(54) **TOWEL HANGER**

D600,480 S * 9/2009 Koury D6/546
D600,960 S * 9/2009 Krumpe D6/546

(75) Inventor: **Yuuko Sakuma**, Tokyo (JP)

* cited by examiner

(73) Assignee: **Sugatsune Kogyo Co., Ltd.**, Tokyo (JP)

Primary Examiner—Brian N Vinson

(**) Term: **14 Years**

(74) *Attorney, Agent, or Firm*—Bacon & Thomas, PLLC

(21) Appl. No.: **29/371,070**

(57) **CLAIM**

(22) Filed: **Oct. 7, 2010**

The ornamental design for a towel hanger, as shown and described.

(30) **Foreign Application Priority Data**

DESCRIPTION

Apr. 13, 2010 (JP) 2010-009421

(51) **LOC (9) Cl.** **06-04**

FIG. 1 is a perspective view of a towel hanger embodying my new design;

(52) **U.S. Cl.** **D6/546**

FIG. 2 is a front view thereof;

(58) **Field of Classification Search** D6/518–524,
D6/546–550; D8/300, 370, 315; 108/28–29;
211/13.1, 16, 85.5, 86.01, 87.01, 88.04, 100,
211/105.1, 105.2, 106, 113, 123, 181.1, 182–183;
248/49, 175, 176.1, 200, 201, 205.1, 251,
248/302, 309.1, 315; 242/570, 590, 595–598

FIG. 3 is a rear view thereof;

FIG. 4 is a top plan view thereof;

FIG. 5 is a bottom view thereof;

FIG. 6 is a right side view thereof;

See application file for complete search history.

FIG. 7 is a right side view in a state of a hanger portion being moved thereof; and,

FIG. 8 is an enlarged sectional view along 8—8 thereof.

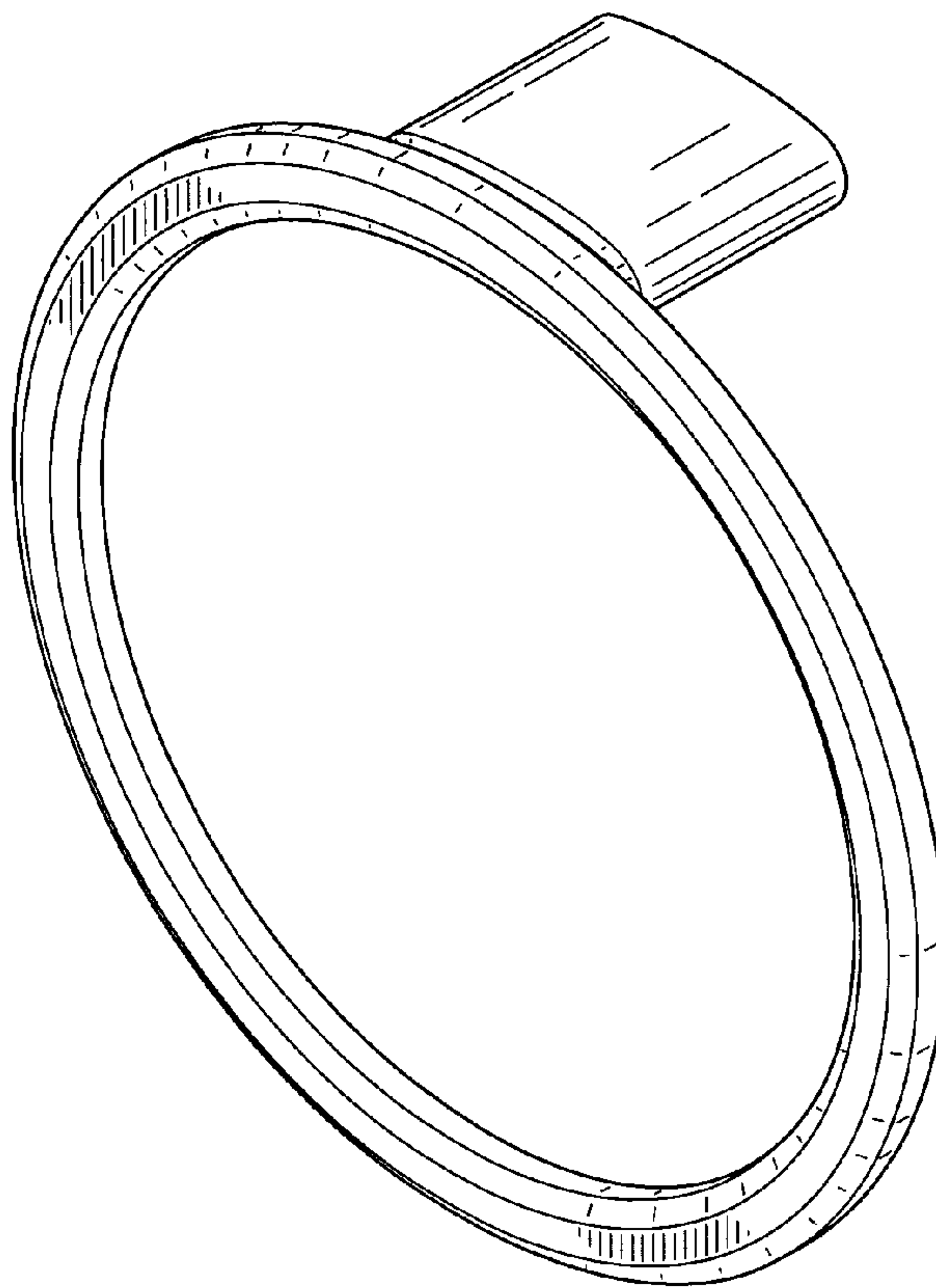
(56) **References Cited**

U.S. PATENT DOCUMENTS

The broken-line disclosure is understood to represent a portion of the article in which the claimed design is embodied, but which forms no part of the claimed design.

D450,509 S * 11/2001 Gottwald D6/546
D455,926 S * 4/2002 Ou-Young D6/546
D484,722 S * 1/2004 Goodman et al. D6/546
D540,085 S * 4/2007 Krumpe et al. D6/546

1 Claim, 6 Drawing Sheets



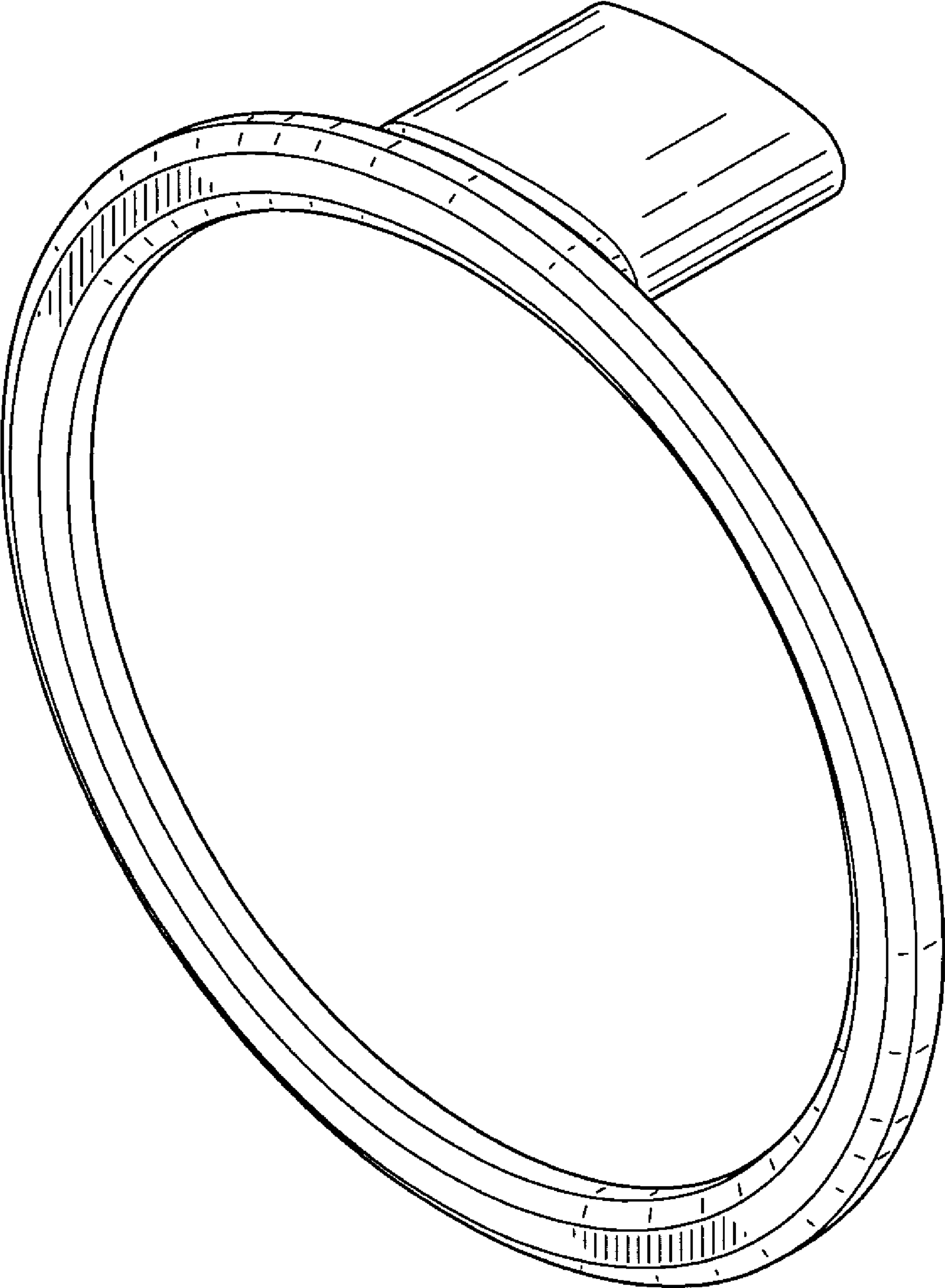


FIG. 1

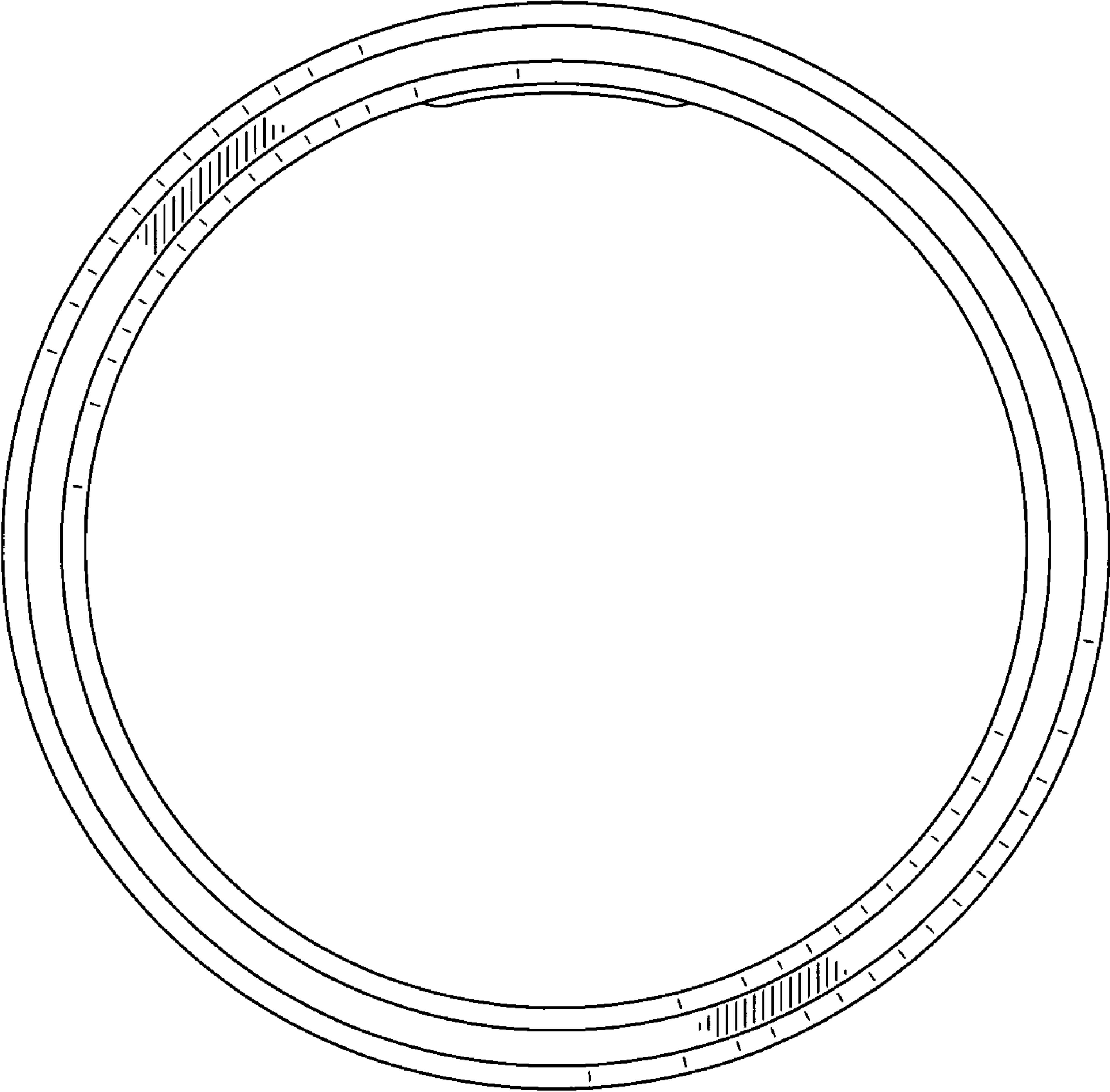


FIG. 2

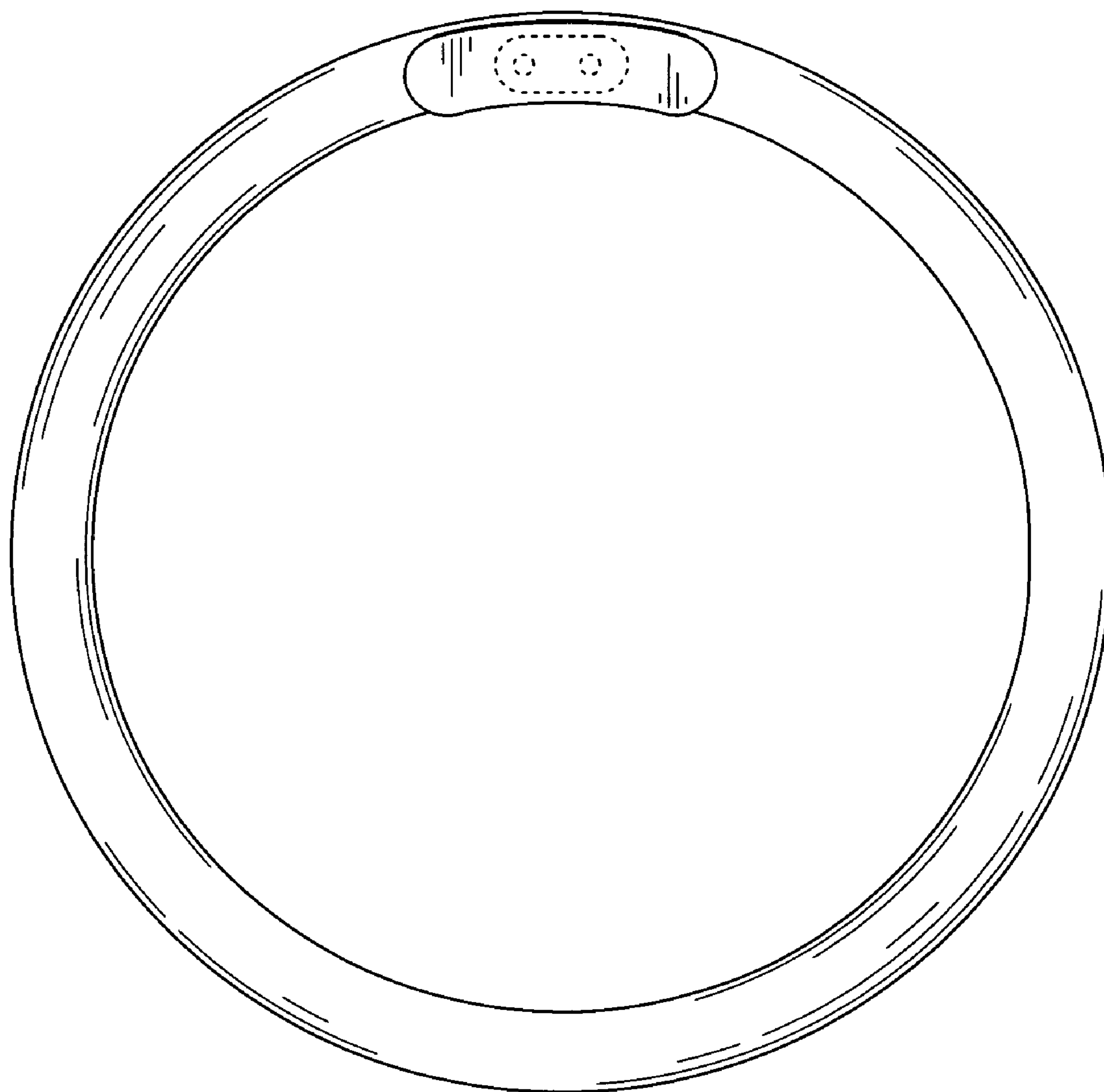


FIG. 3

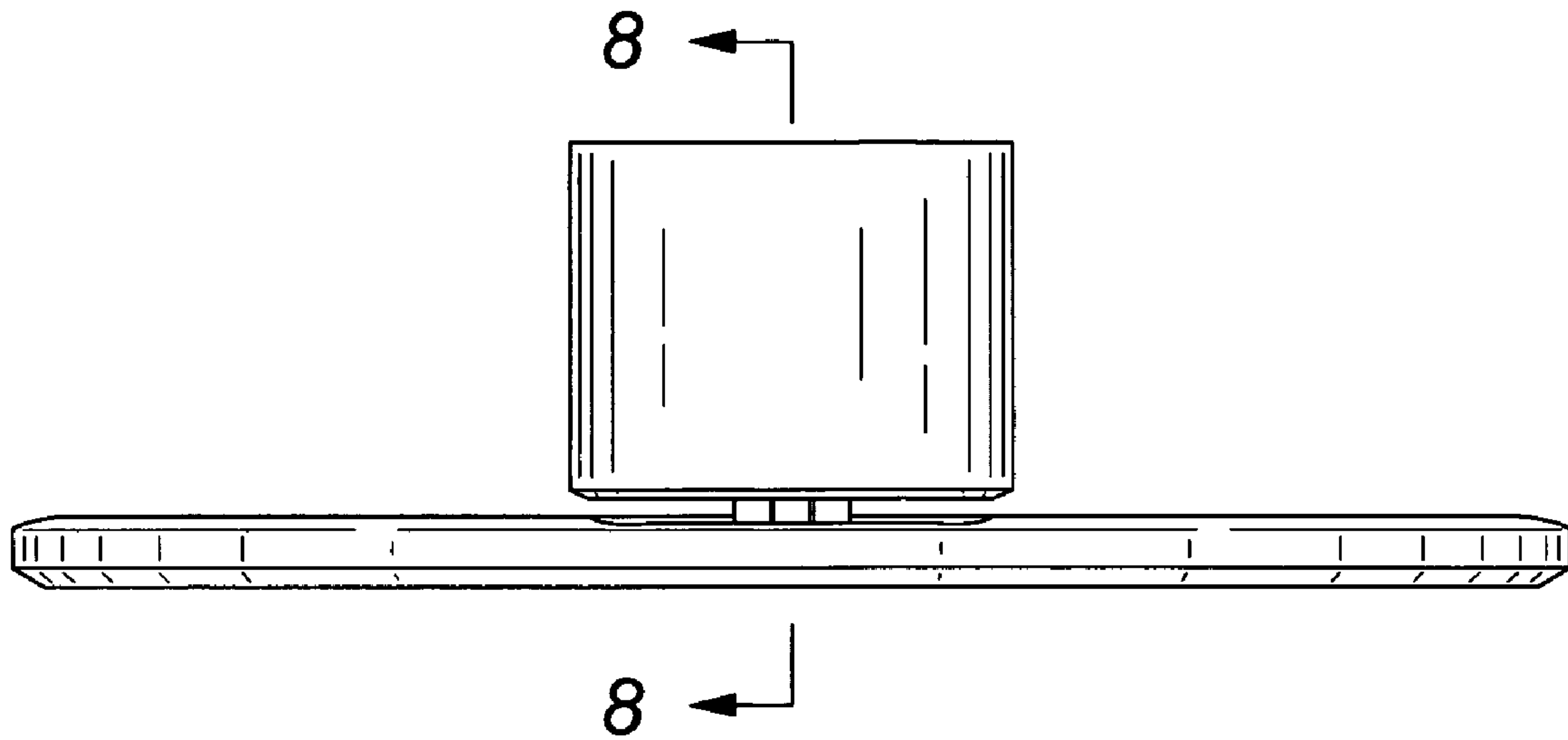


FIG. 4

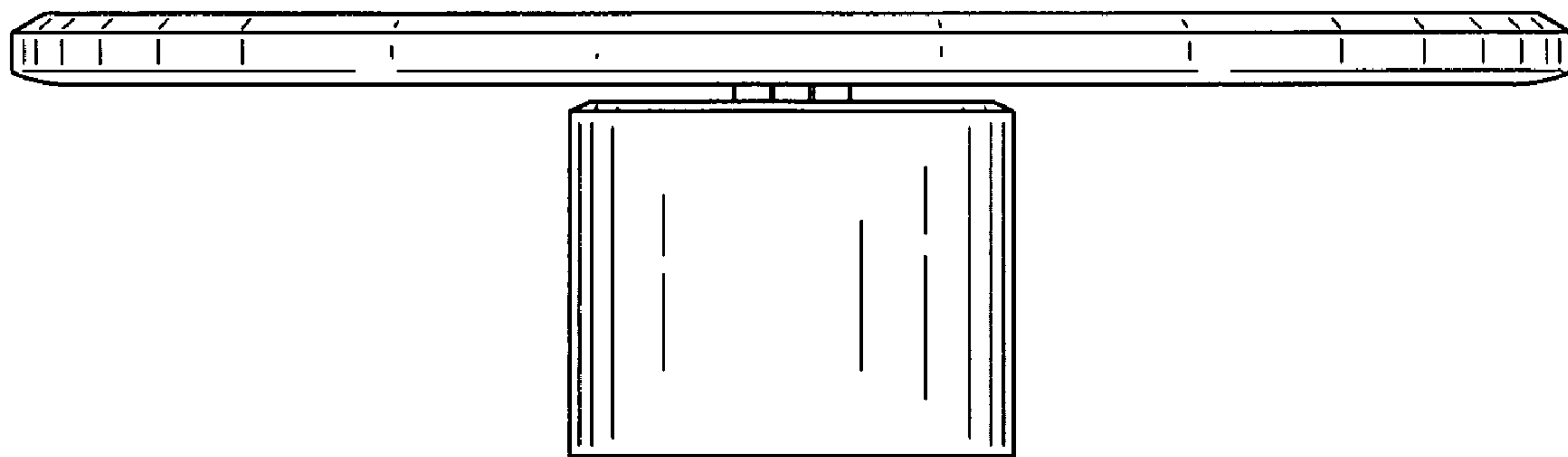


FIG. 5

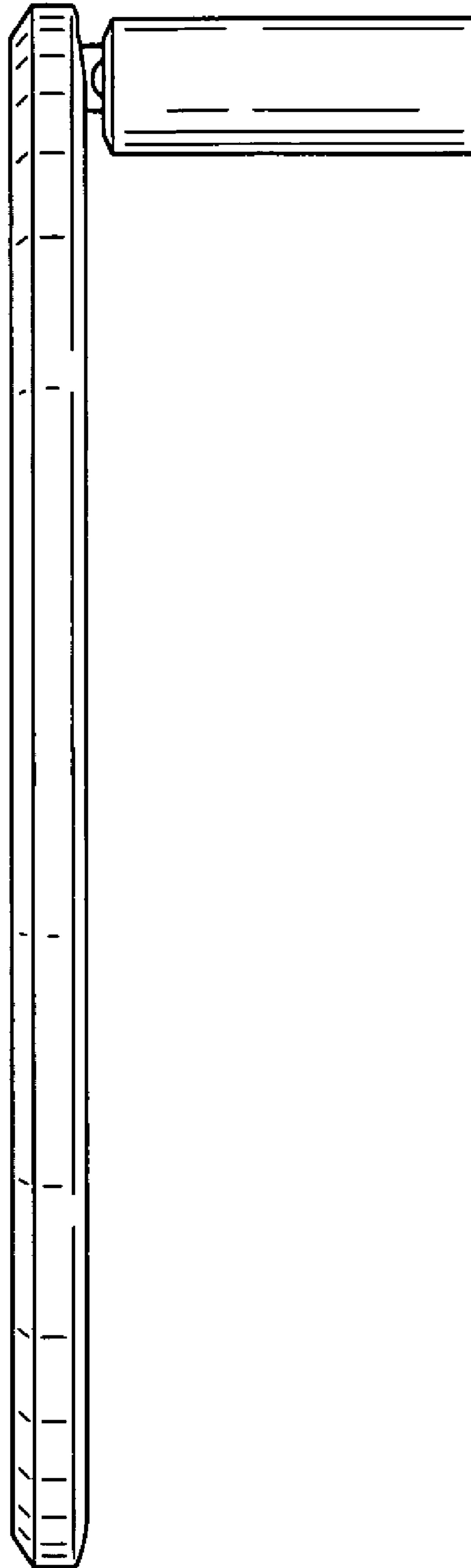


FIG. 6

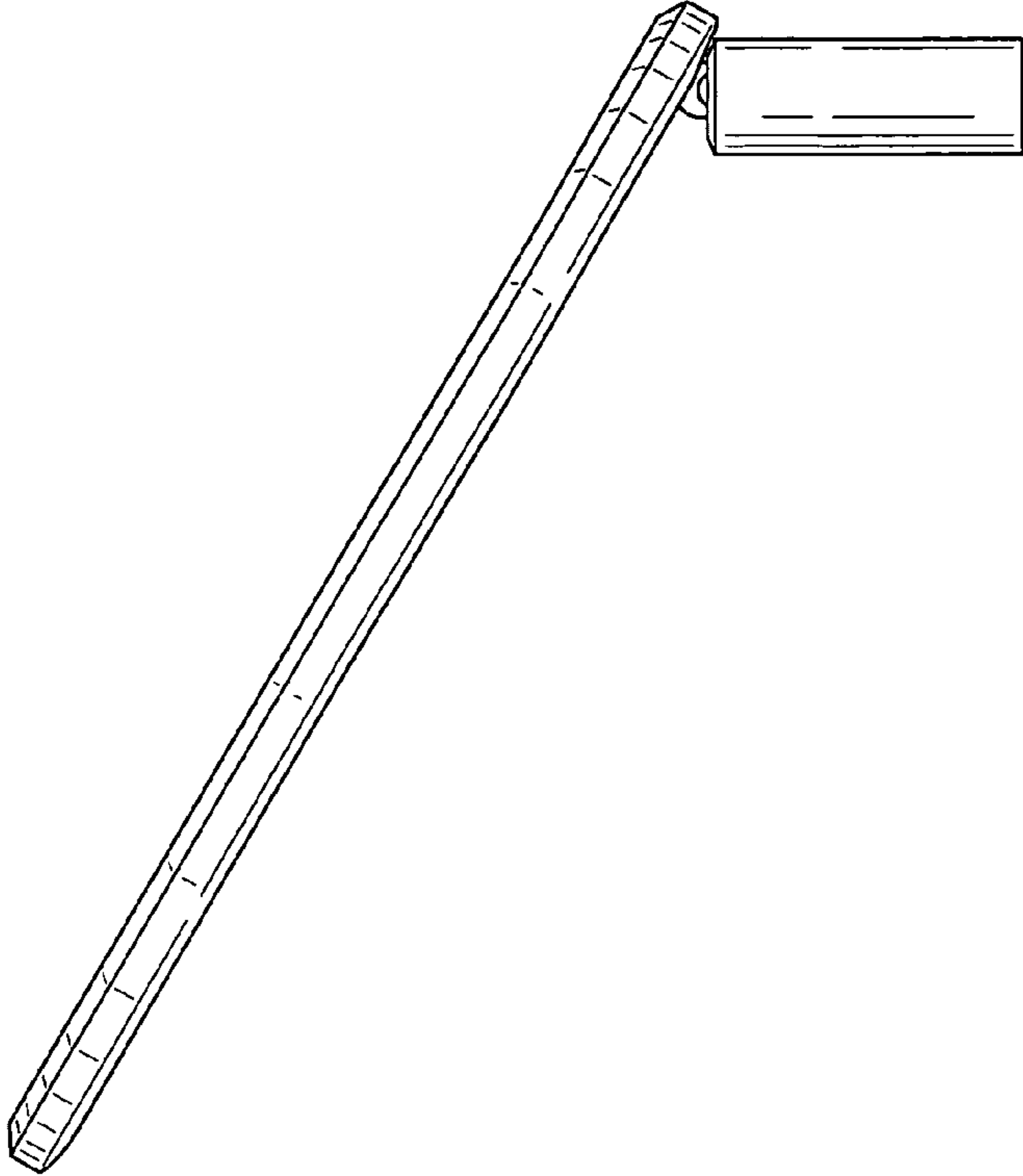


FIG. 7

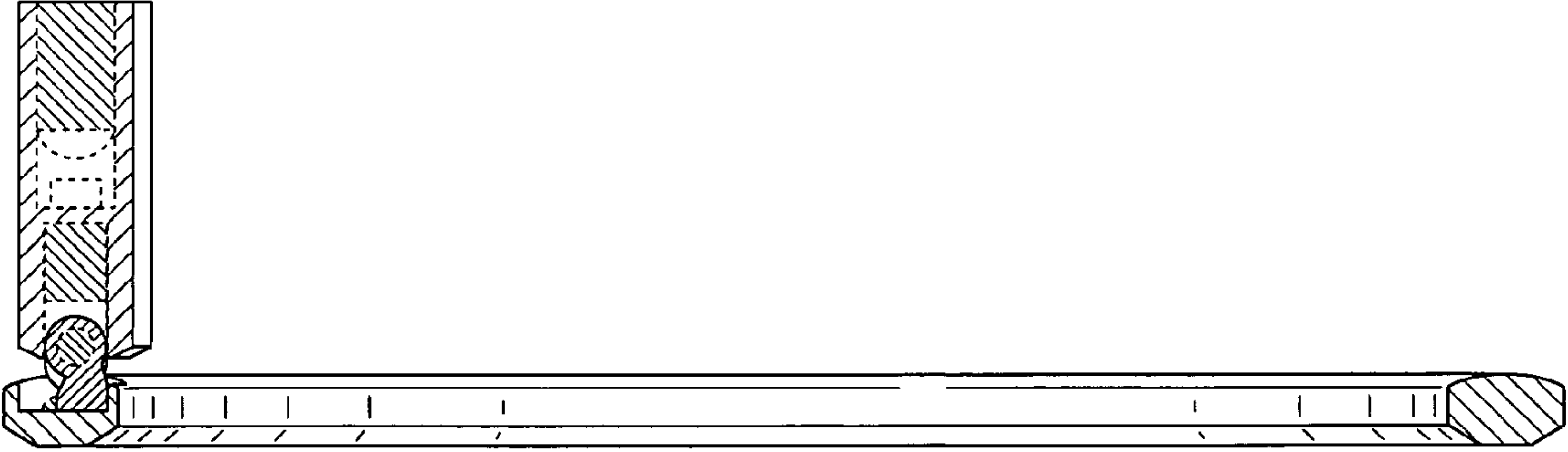


FIG. 8