



US00D632110S

(12) **United States Design Patent**
Cooper

(10) **Patent No.:** **US D632,110 S**
(45) **Date of Patent:** **** Feb. 8, 2011**

(54) **COMBINATION SHAVING BRUSH AND RAZOR BLADE HOLDER**

(74) *Attorney, Agent, or Firm*—Albert O. Cota

(76) **Inventor:** **Christopher A. Cooper**, 18866 Muirkirk Dr., Porter Ranch, CA (US) 91326

(57) **CLAIM**

The ornamental design for a combination shaving brush and razor blade holder, as shown and described.

(**) **Term:** **14 Years**

DESCRIPTION

(21) **Appl. No.:** **29/370,054**

FIG. 1 is an orthographic view of a combination shaving brush and razor blade holder showing a first embodiment of my new design, the shaving brush and the razor blades are shown in broken lines for illustrative purposes only and form no part of the claimed design;

(22) **Filed:** **Jun. 1, 2010**

(51) **LOC (9) Cl.** **28-03**

(52) **U.S. Cl.** **D6/526**

(58) **Field of Classification Search** D6/526,
D6/524, 540; 211/13.1, 70.6, 87.01, 89.01;
248/200, 205.5, 309.1, 314, 127, 176.1; D9/749
See application file for complete search history.

FIG. 2 is an orthographic view thereof;

FIG. 3 is a right side elevational view thereof,

FIG. 4 is a left side elevational view thereof,

FIG. 5 is a top plan view thereof,

FIG. 6 is a bottom plan view thereof;

FIG. 7 is a front elevational view thereof,

FIG. 8 is a rear elevational view thereof; and,

(56) **References Cited**

U.S. PATENT DOCUMENTS

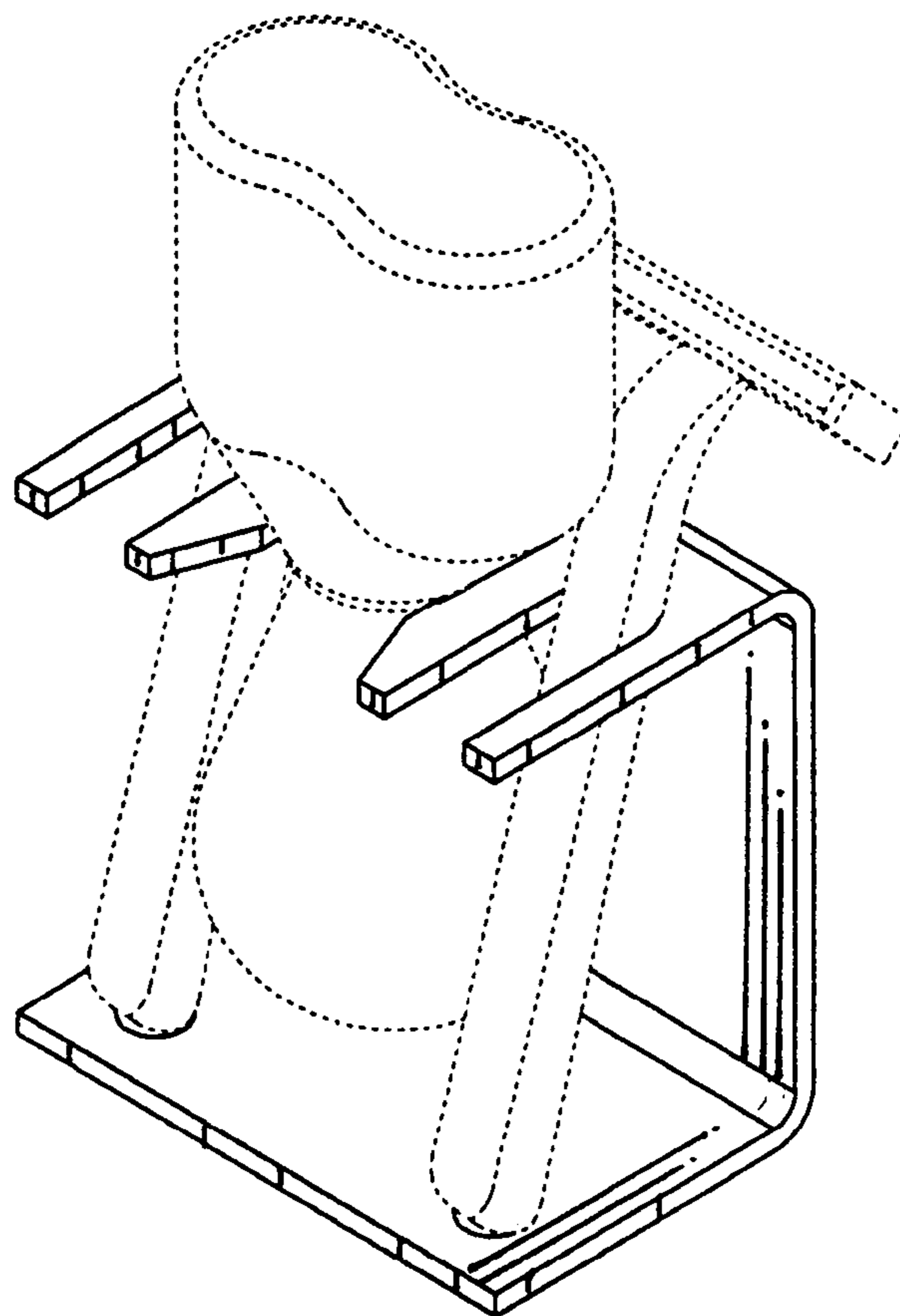
D335,599 S *	5/1993	Novak	D6/526
D425,255 S *	5/2000	Chen	D6/526
D544,737 S *	6/2007	Nagoya	D6/526
D576,436 S *	9/2008	Provost et al.	D6/526

FIG. 9 is an orthographic view of a combination shaving brush and razor blade holder showing a second embodiment of my new design, wherein the shaving brush entry slot is not flared.

* cited by examiner

Primary Examiner—Brian N Vinson

1 Claim, 4 Drawing Sheets



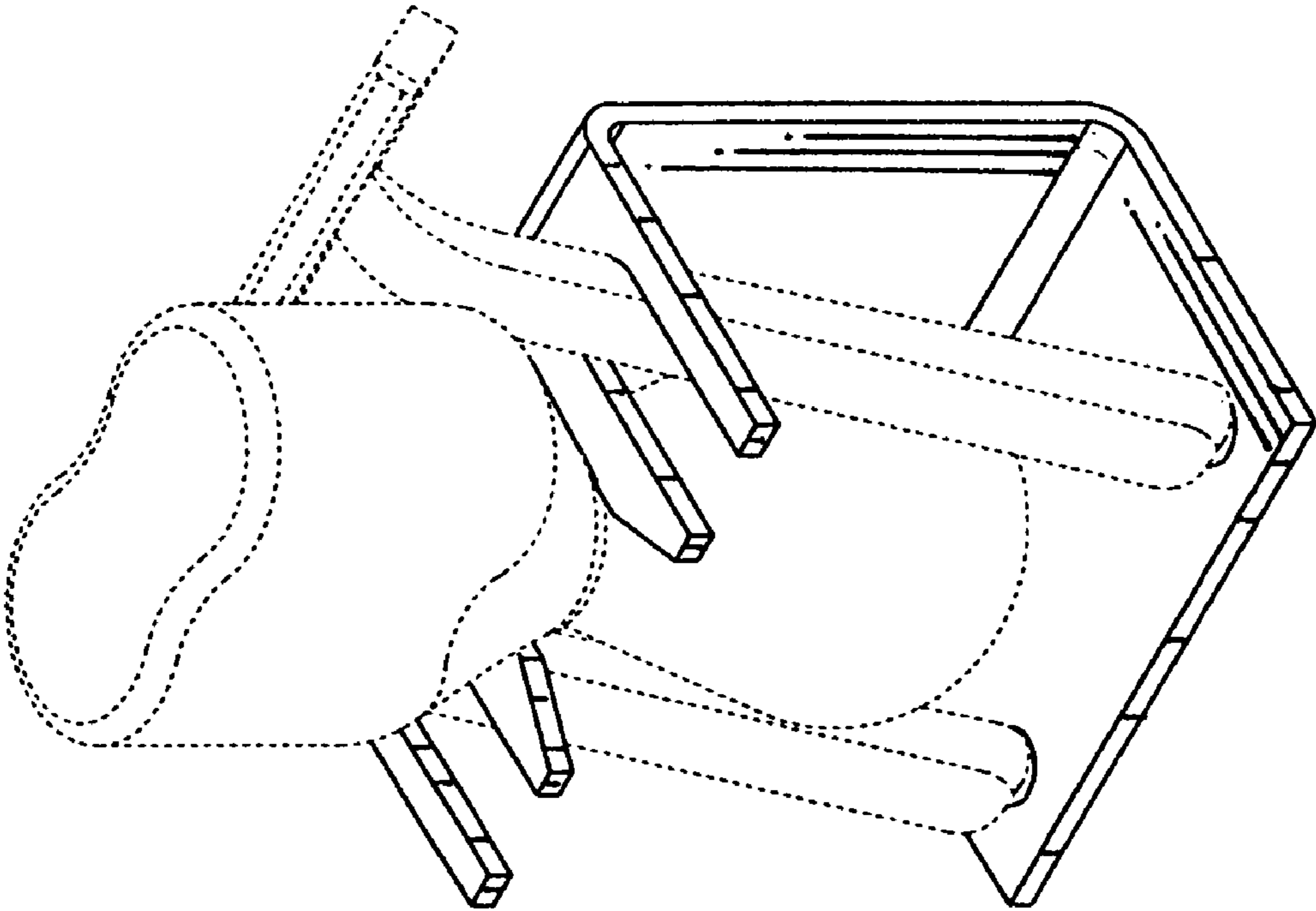


Fig. 1

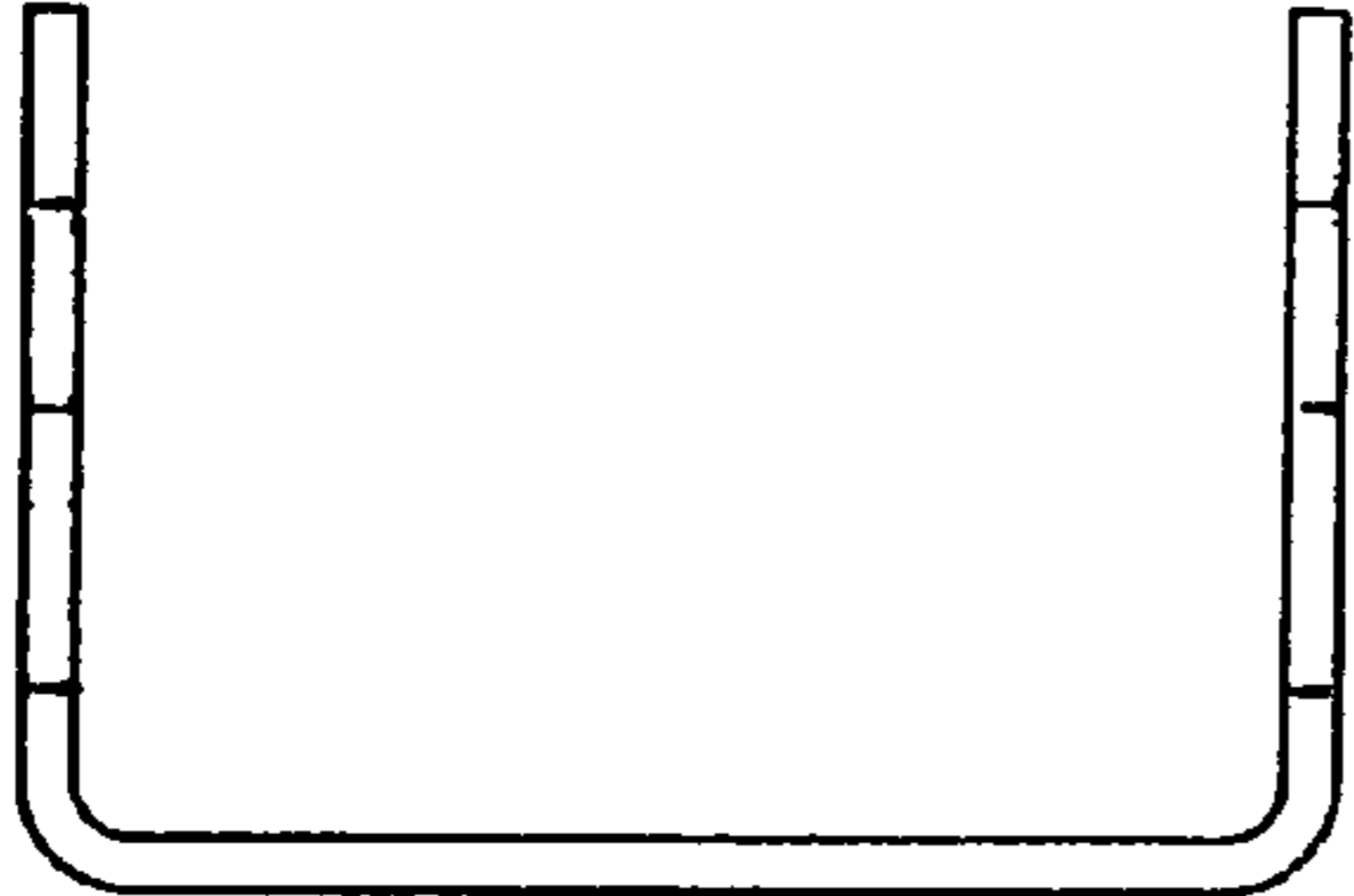


Fig. 4

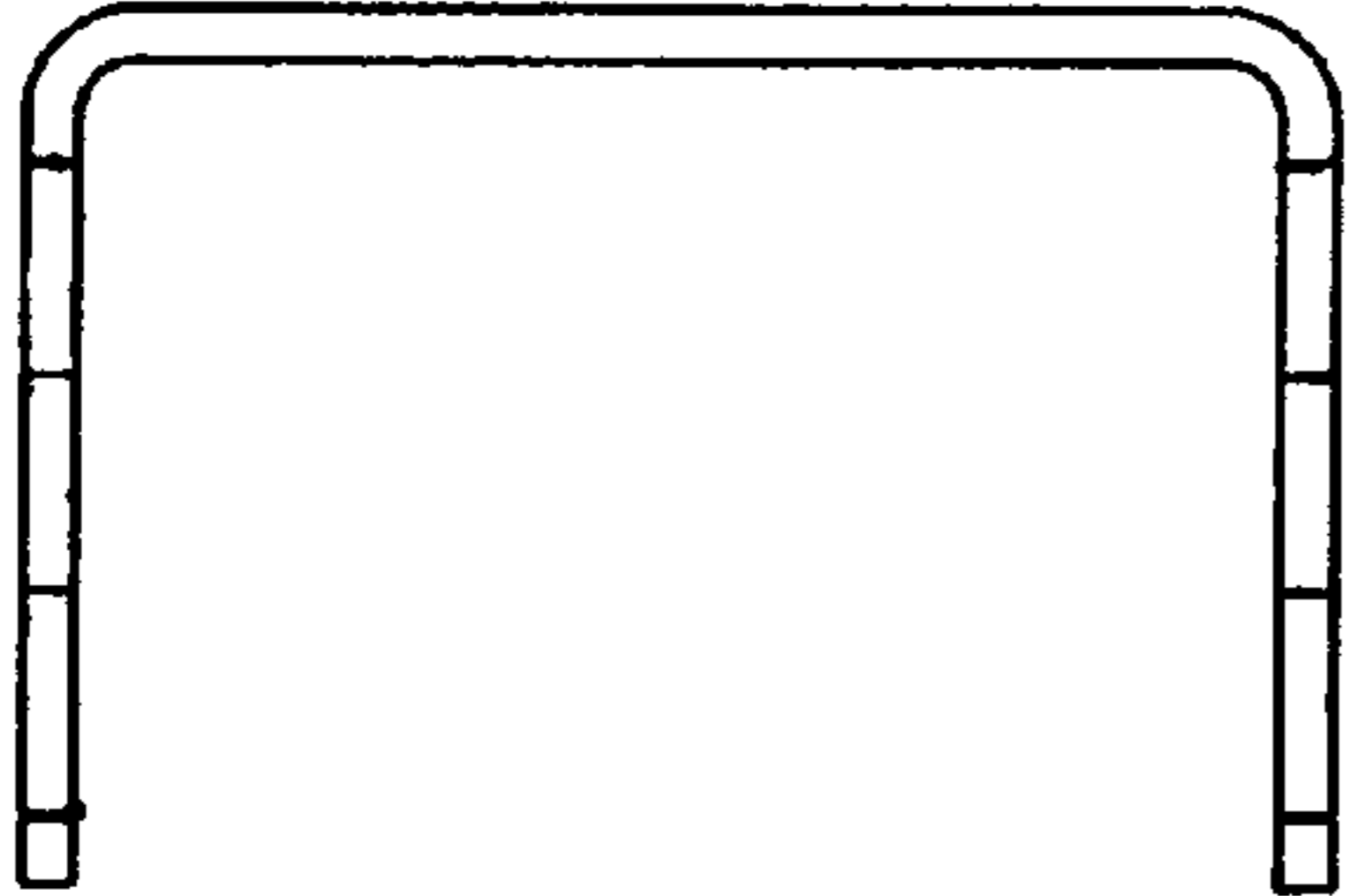


Fig. 3

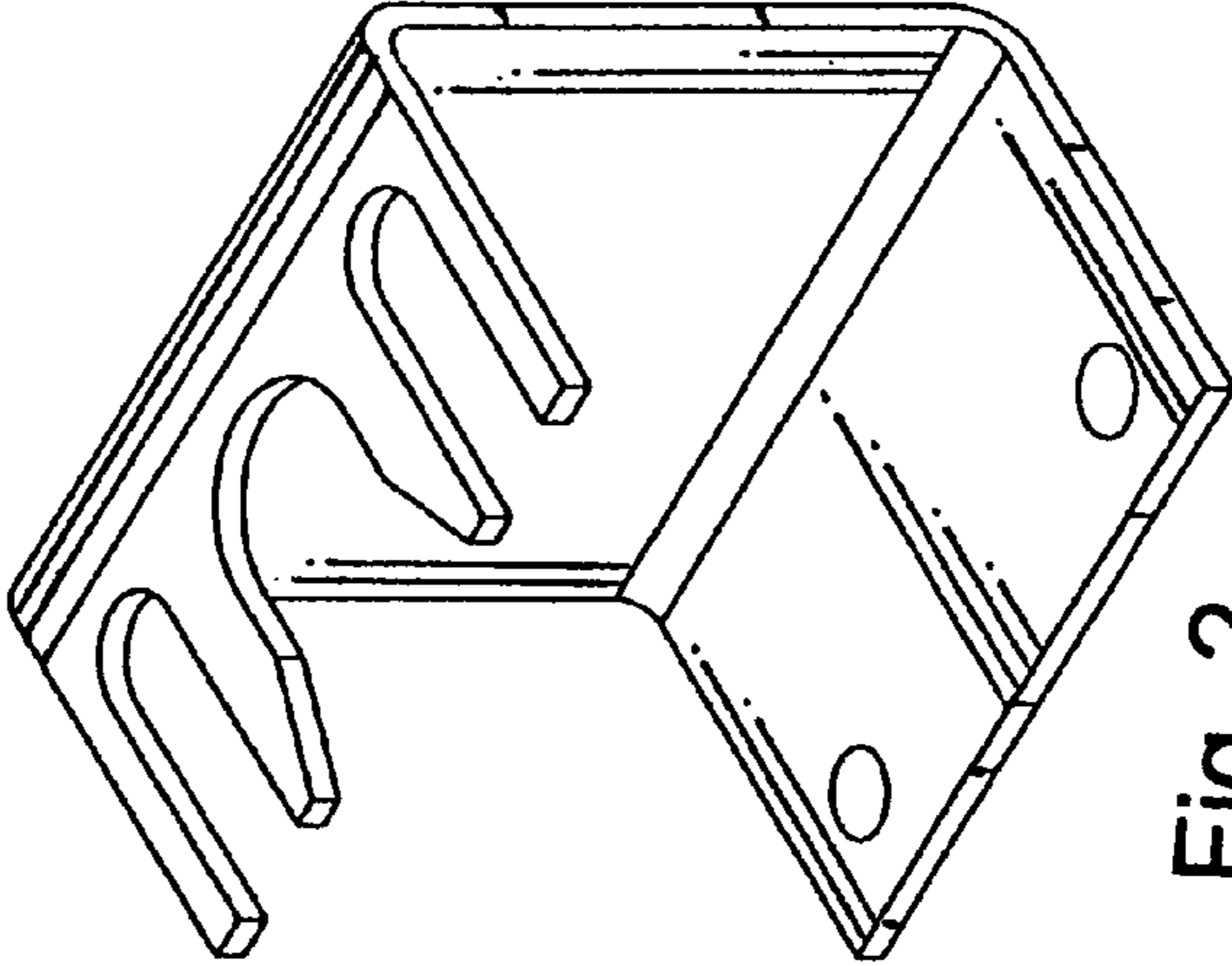


Fig. 2

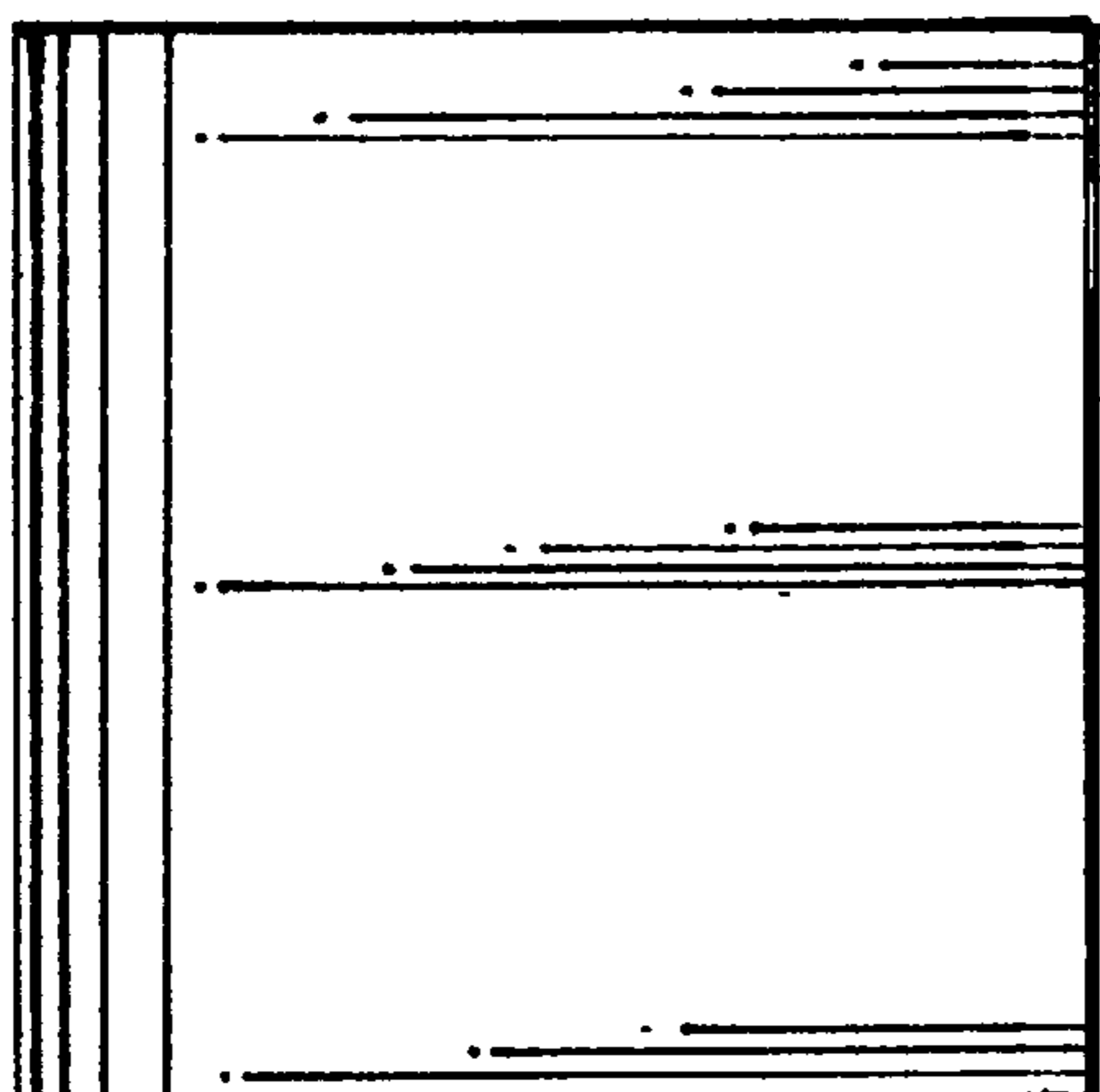


Fig. 8

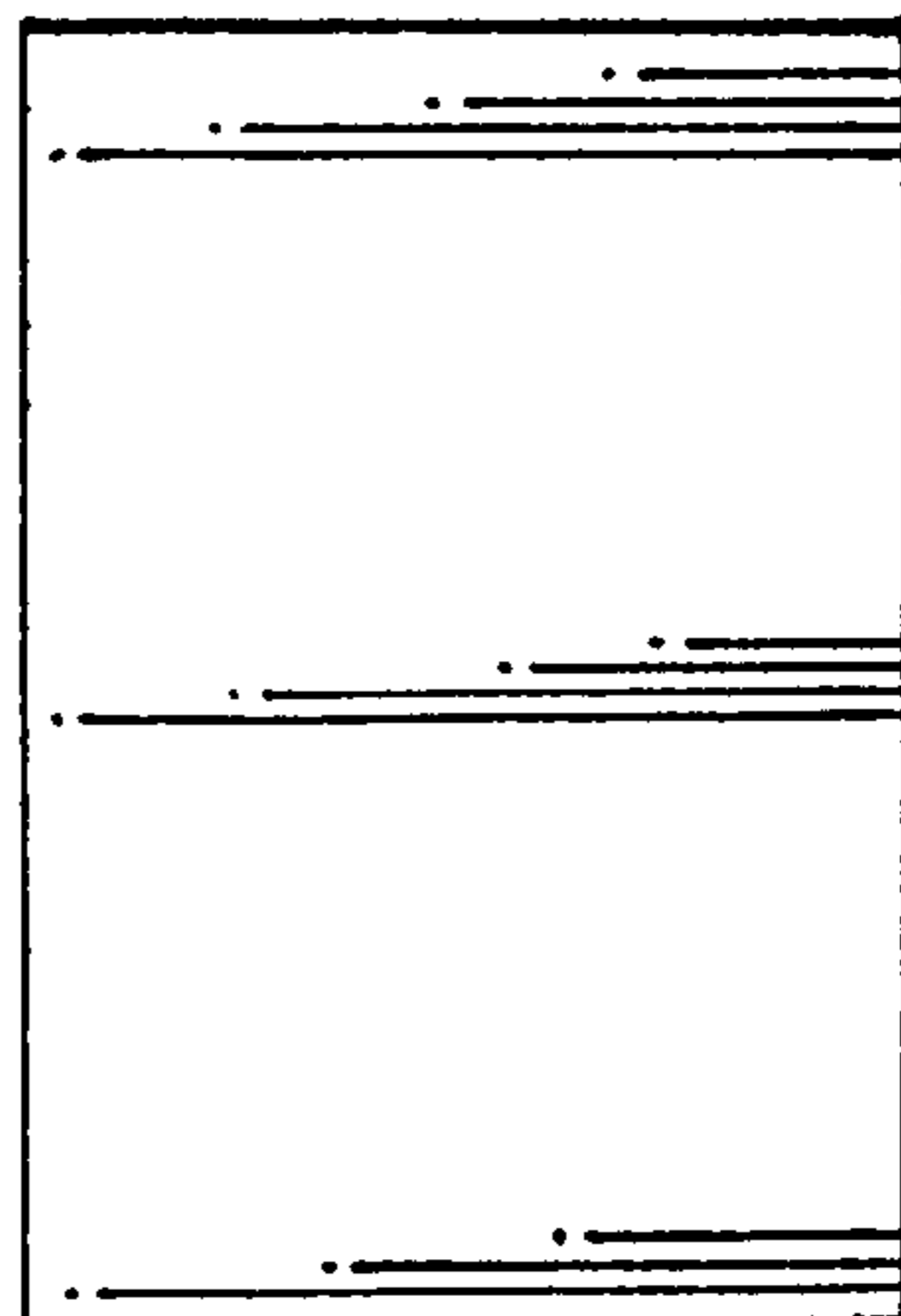


Fig. 6

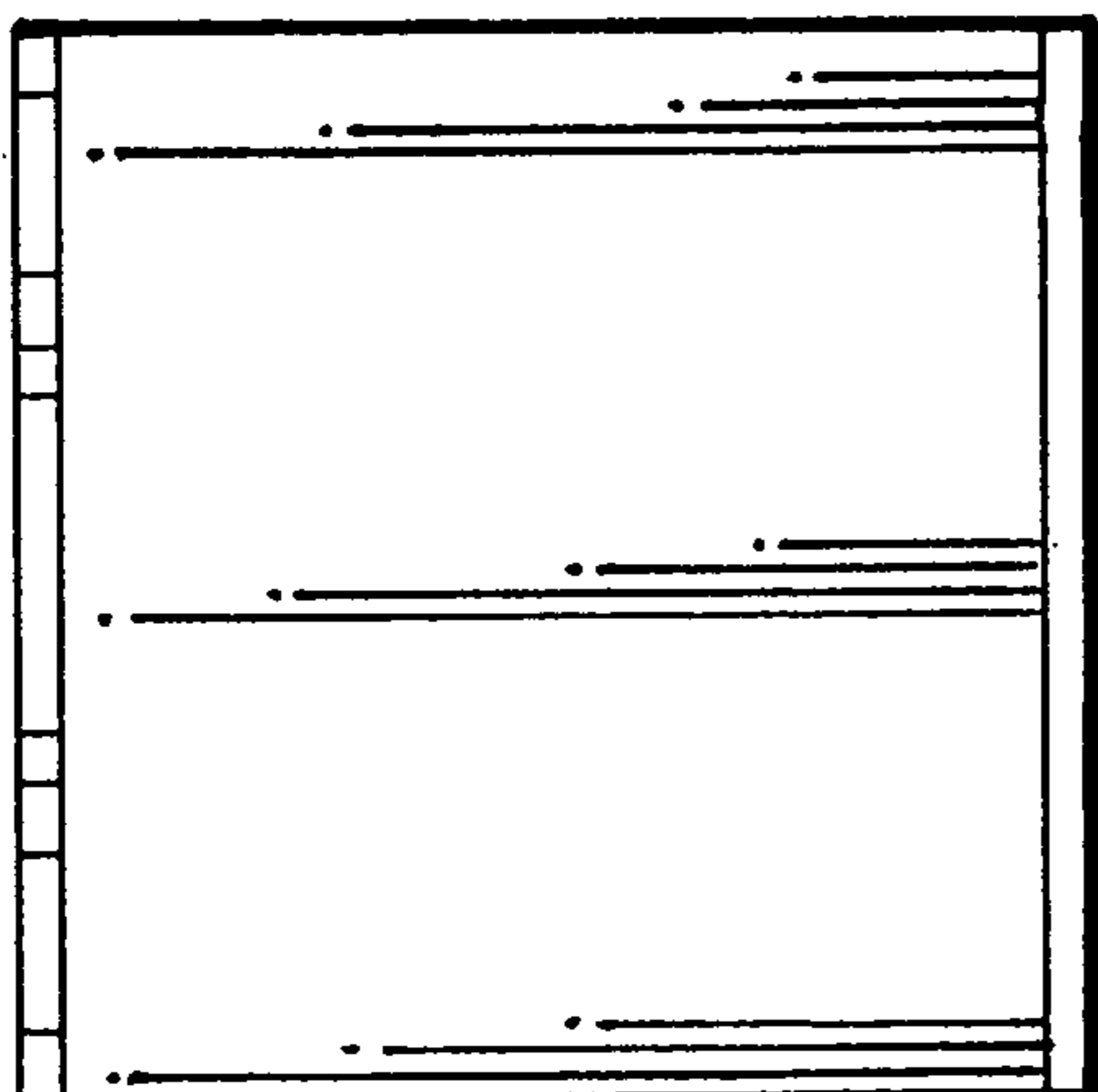


Fig. 7

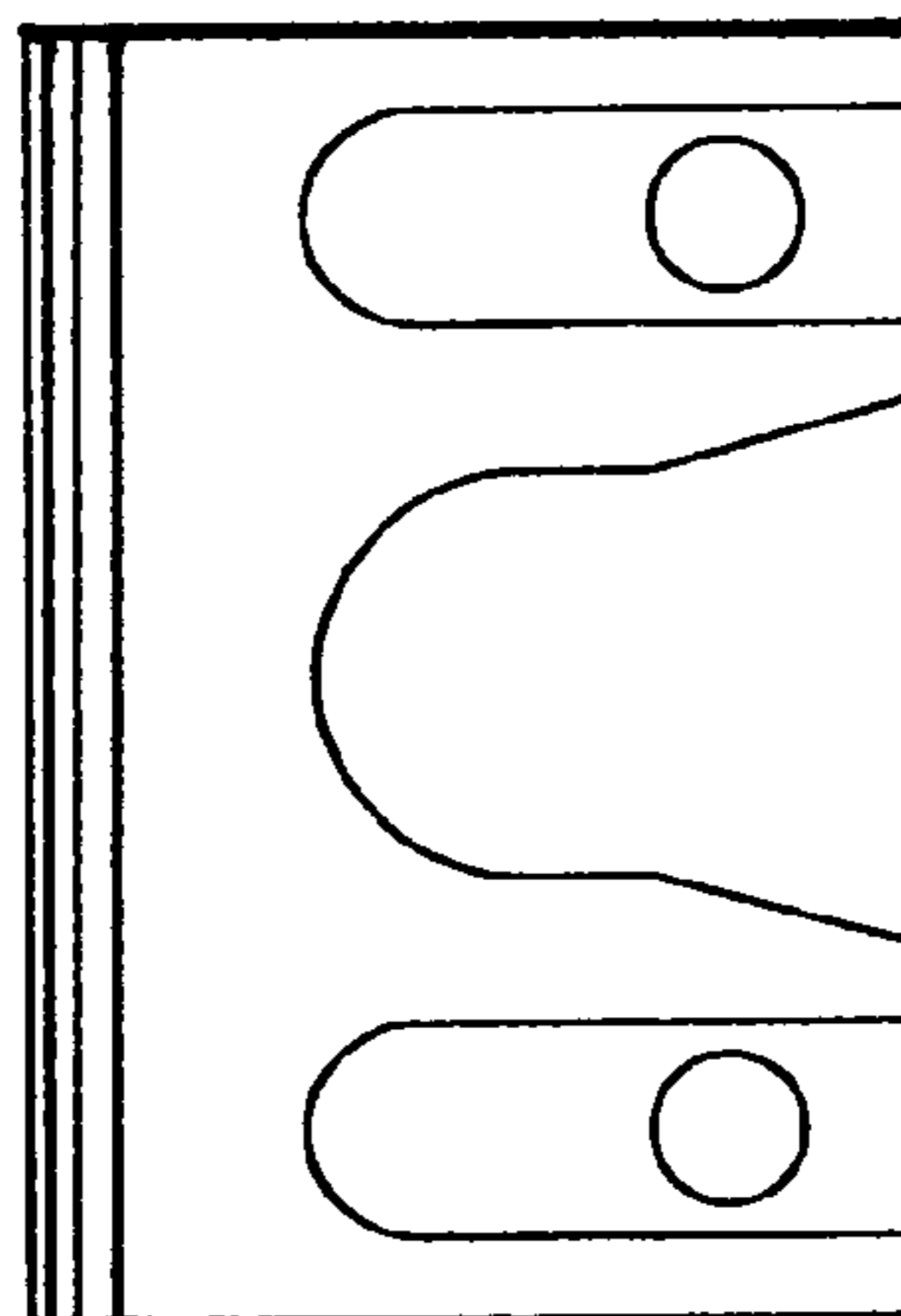


Fig. 5

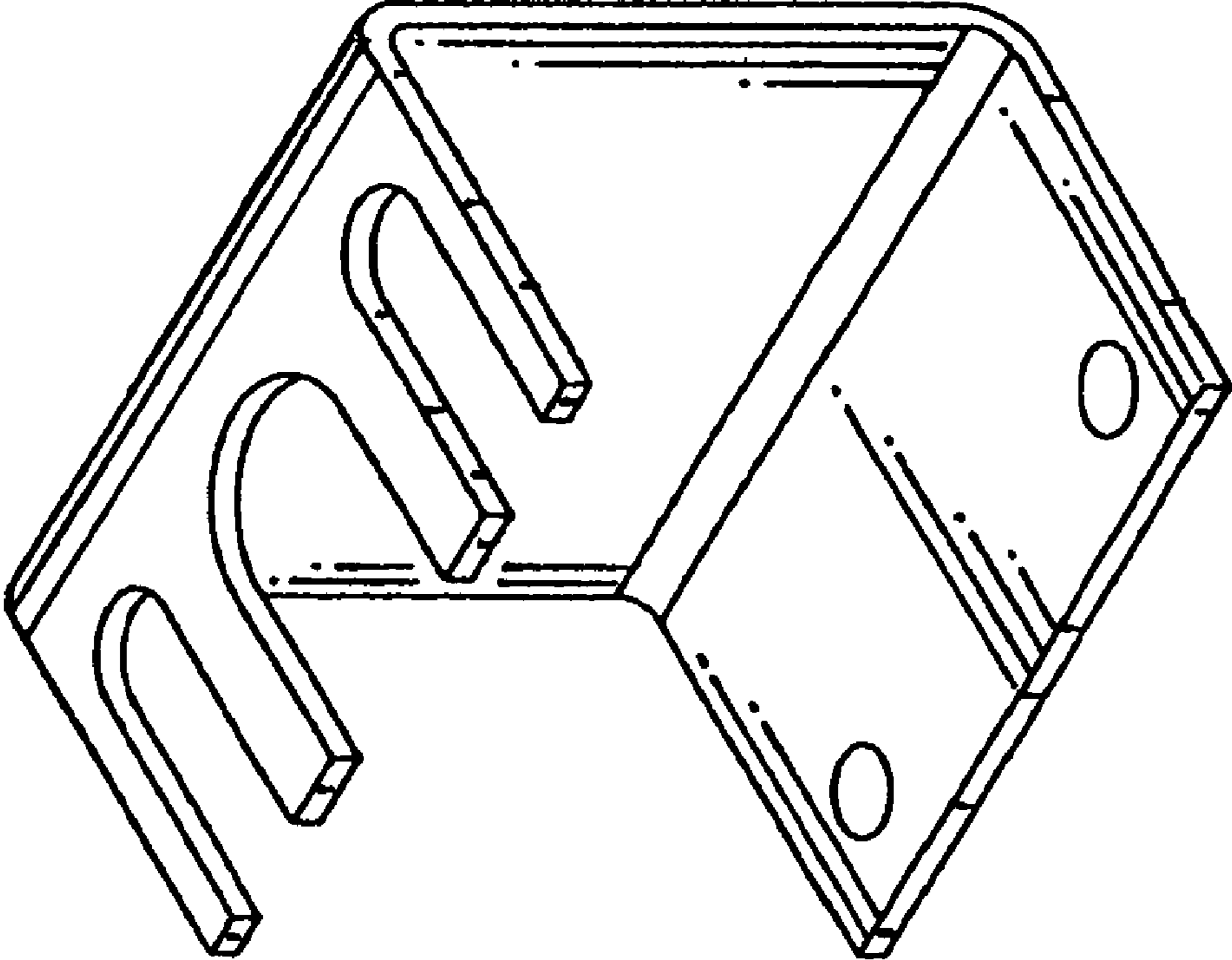


Fig. 9