



US00D632108S

(12) **United States Design Patent**
Snider

(10) **Patent No.:** **US D632,108 S**

(45) **Date of Patent:** **** Feb. 8, 2011**

(54) **TOILET PAPER HOLDER**

D608,575 S * 1/2010 Johnson et al. D6/515

(75) Inventor: **Martin Snider**, New City, NY (US)

* cited by examiner

(73) Assignee: **MSA Products, Inc.**, Nyack, NY (US)

Primary Examiner—Brian N Vinson

(**) Term: **14 Years**

(74) *Attorney, Agent, or Firm*—Gerald E. Hespos; Michael J. Porco

(21) Appl. No.: **29/363,590**

(57) **CLAIM**

(22) Filed: **Jun. 11, 2010**

The ornamental design of a toilet paper holder, as shown and described.

(51) **LOC (9) Cl.** **20-02**

(52) **U.S. Cl.** **D6/520; D6/515**

(58) **Field of Classification Search** D6/512–523;
D3/201; 206/389, 391, 407, 409; 211/13.1,
211/16, 85.5, 59.2; 221/92, 97, 185, 282–284;
242/159, 160.2, 550, 560, 590, 595, 588,
242/598

See application file for complete search history.

DESCRIPTION

FIG. 1 is a top, front, and right side perspective view of a toilet paper holder showing my new design;

FIG. 2 is a top plan view thereof;

FIG. 3 is a front elevational view thereof;

FIG. 4 is a right side elevational view thereof;

FIG. 5 is a left side elevational view thereof; and,

FIG. 6 is a bottom plan view thereof.

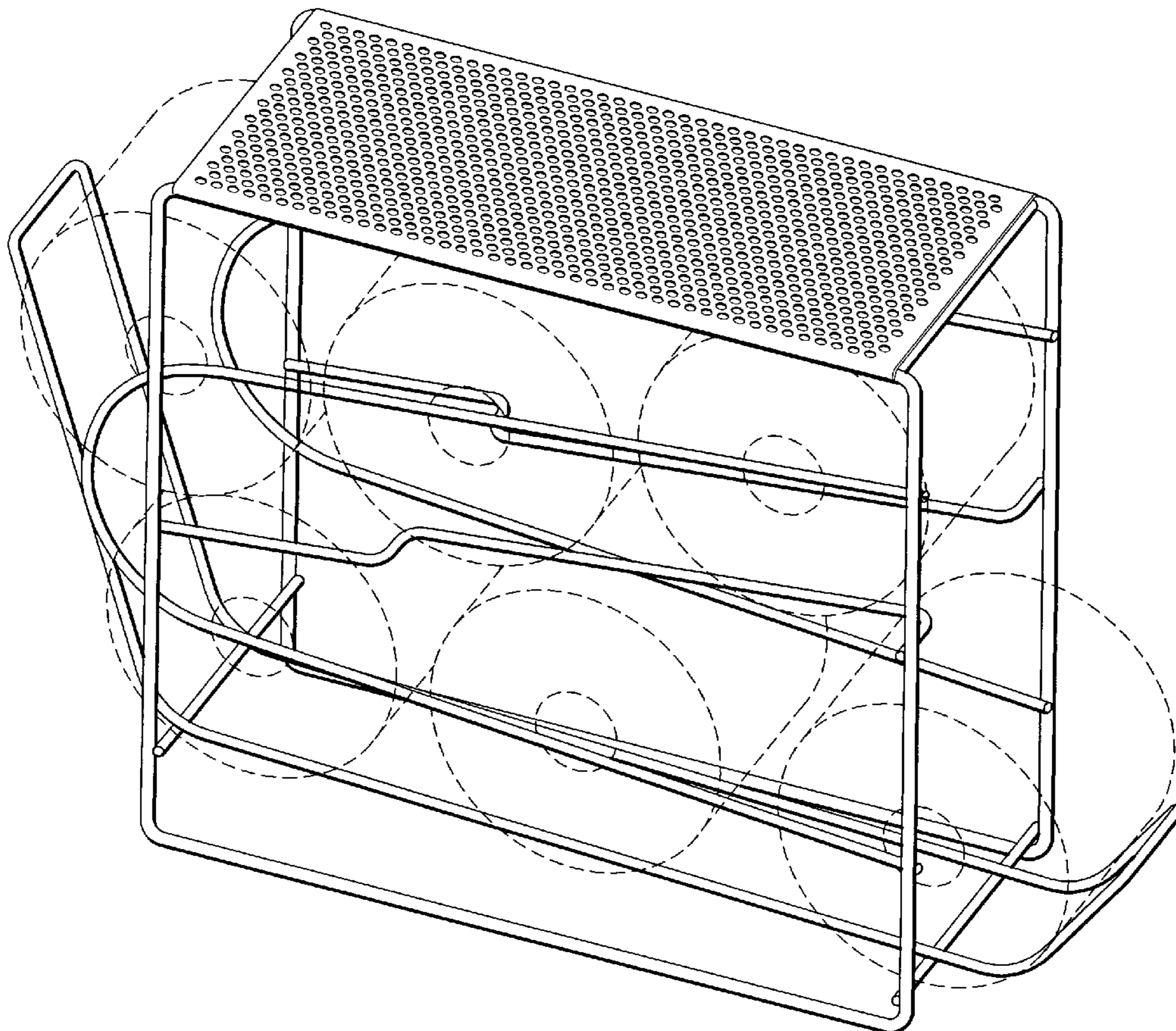
The broken-line disclosure of multiple rolls of toilet paper in the views is for illustrative purposes only and forms no part of the claimed design.

(56) **References Cited**

U.S. PATENT DOCUMENTS

D546,605 S *	7/2007	Wolfson	D6/520
D563,129 S *	3/2008	Wolfson et al.	D6/520
D604,972 S *	12/2009	Henry et al.	D6/515
D605,884 S *	12/2009	Owens	D6/520

1 Claim, 4 Drawing Sheets



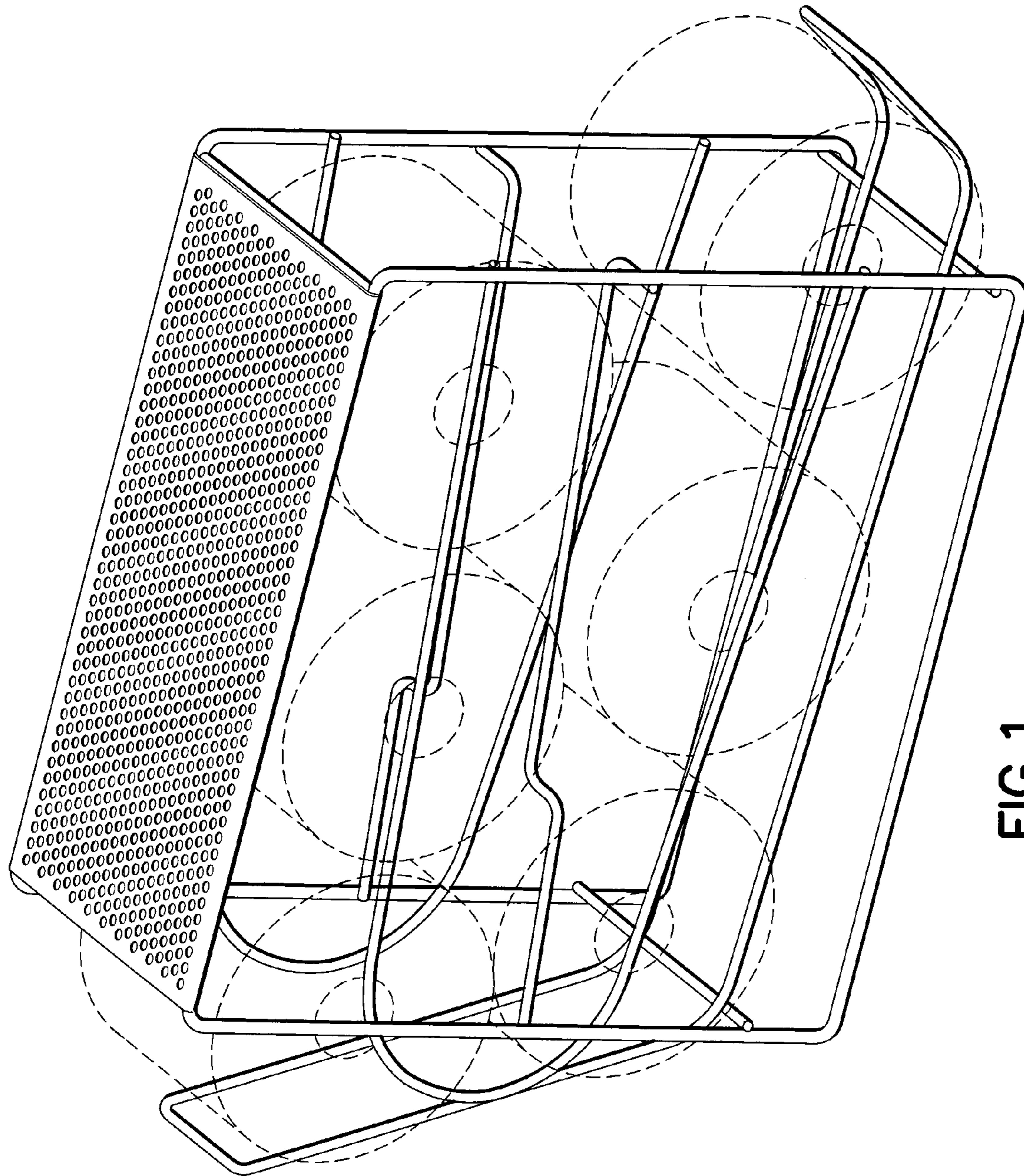


FIG. 1

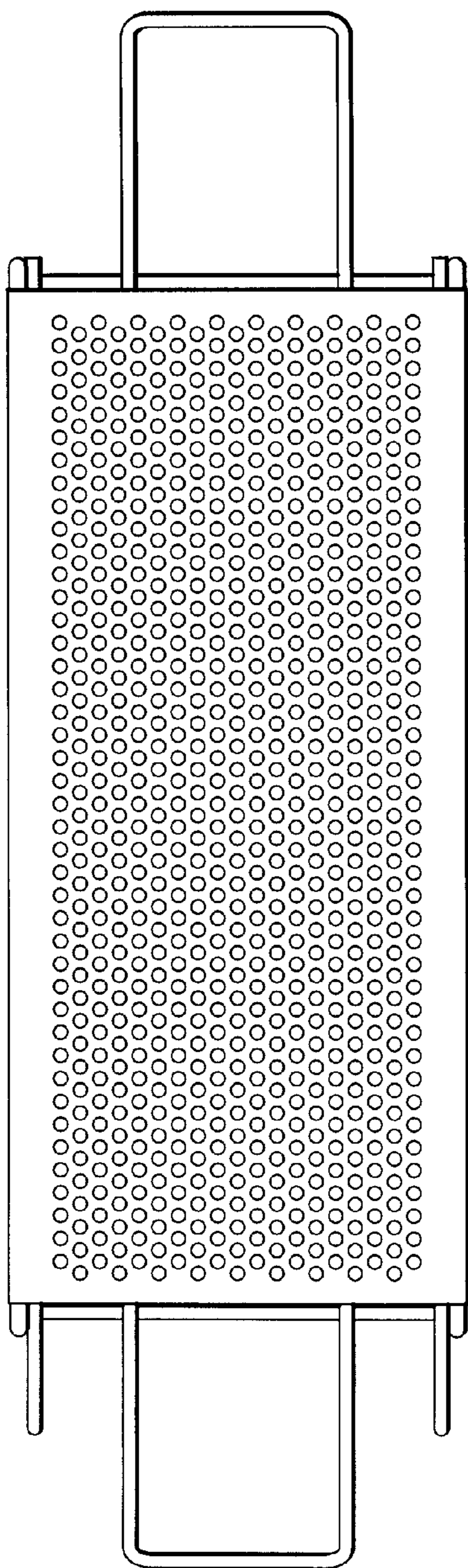


FIG. 2

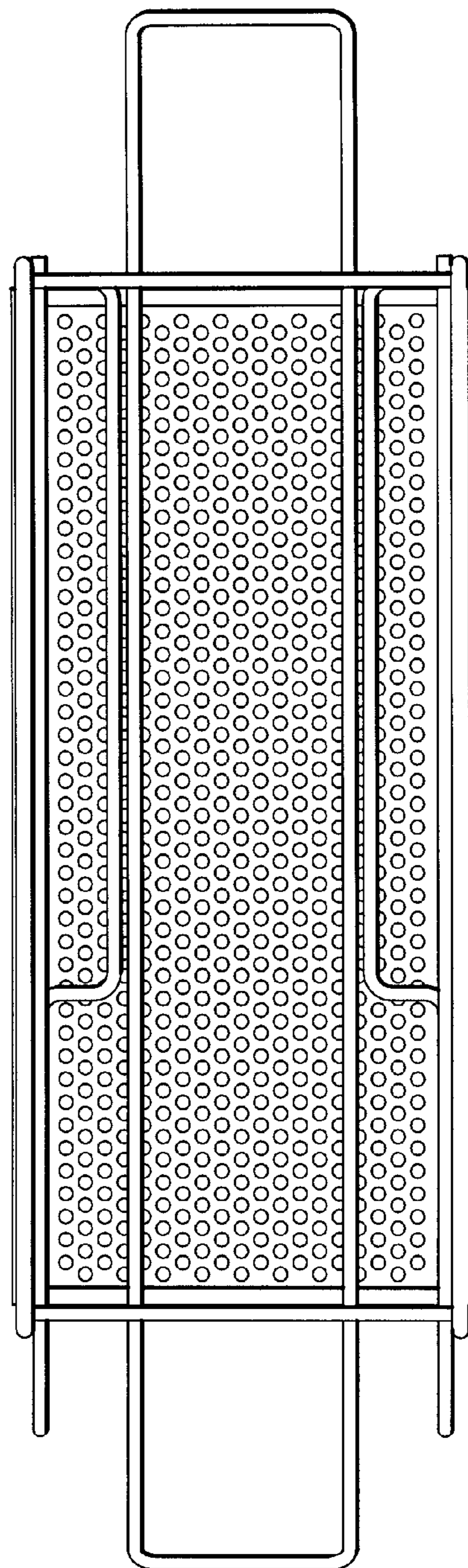


FIG. 6

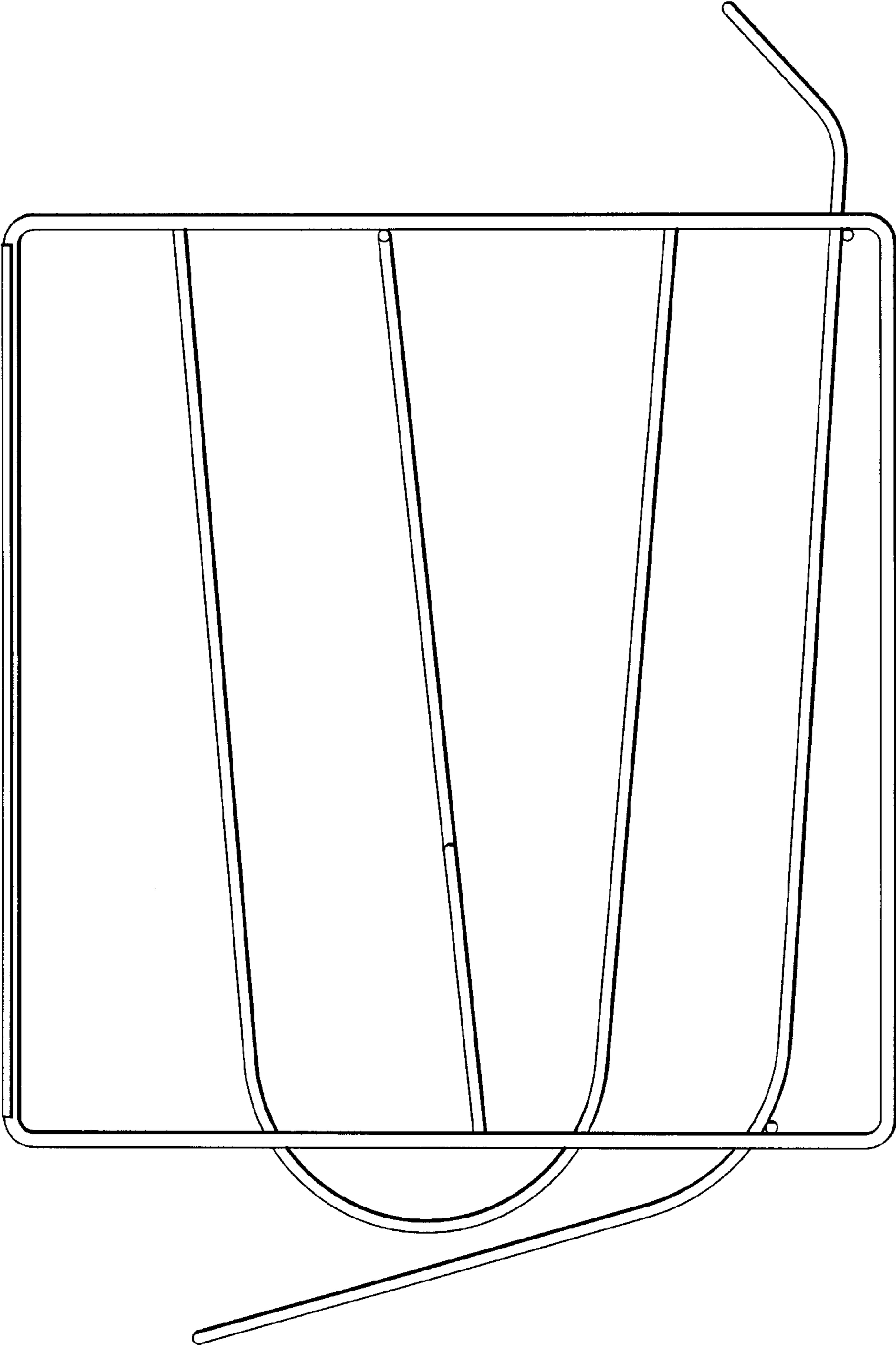


FIG. 3

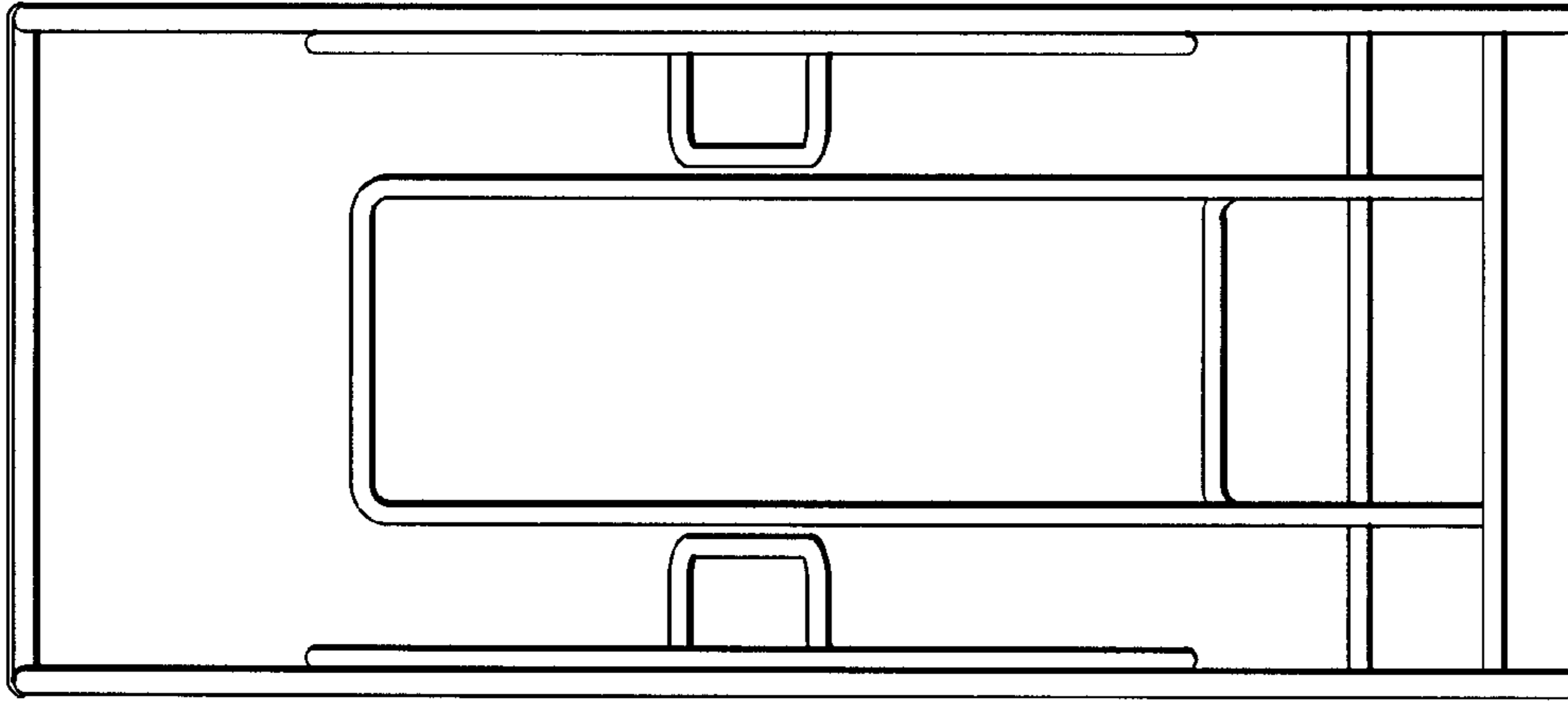


FIG. 5

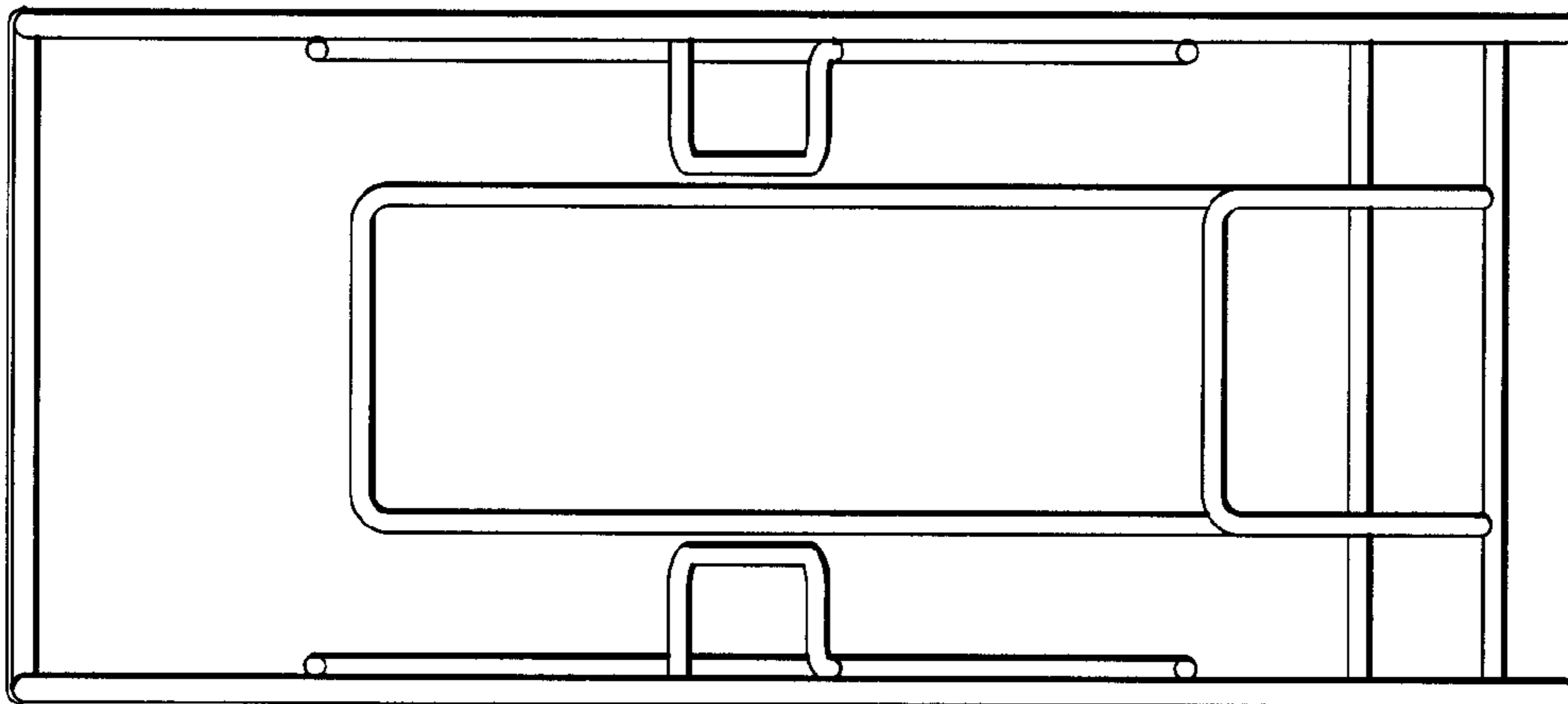


FIG. 4