



US00D632096S

(12) **United States Design Patent**  
**Vessecchia**

(10) **Patent No.:** **US D632,096 S**

(45) **Date of Patent:** **\*\* Feb. 8, 2011**

(54) **RACK**

D509,669 S \* 9/2005 Krebs ..... D6/315  
6,948,627 B1 9/2005 Evans

(76) Inventor: **Rickie G. Vessecchia**, 712 Gregg St.,  
Nashville, MI (US) 49073

\* cited by examiner

(\*\*) Term: **14 Years**

*Primary Examiner*—Shanda C Hill

(74) *Attorney, Agent, or Firm*—Paul R. Martin

(21) Appl. No.: **29/370,080**

(57) **CLAIM**

(22) Filed: **Jun. 4, 2010**

The ornamental design for a rack, as shown and described.

(51) **LOC (9) Cl.** ..... **06-08**

(52) **U.S. Cl.** ..... **D6/323**

(58) **Field of Classification Search** ..... D6/315,  
D6/320, 323, 324, 325, 327, 328; 211/1,  
211/13.1, 85.3, 86.01; 223/85-98

See application file for complete search history.

**DESCRIPTION**

FIG. 1 is a perspective view of a rack showing my new design;

FIG. 2 is a right side elevational view thereof, the left side  
elevational view being a mirror image;

FIG. 3 is a rear elevational view thereof;

FIG. 4 is a front elevational view thereof;

FIG. 5 is a top plan view thereof; and,

FIG. 6 is a bottom plan view thereof.

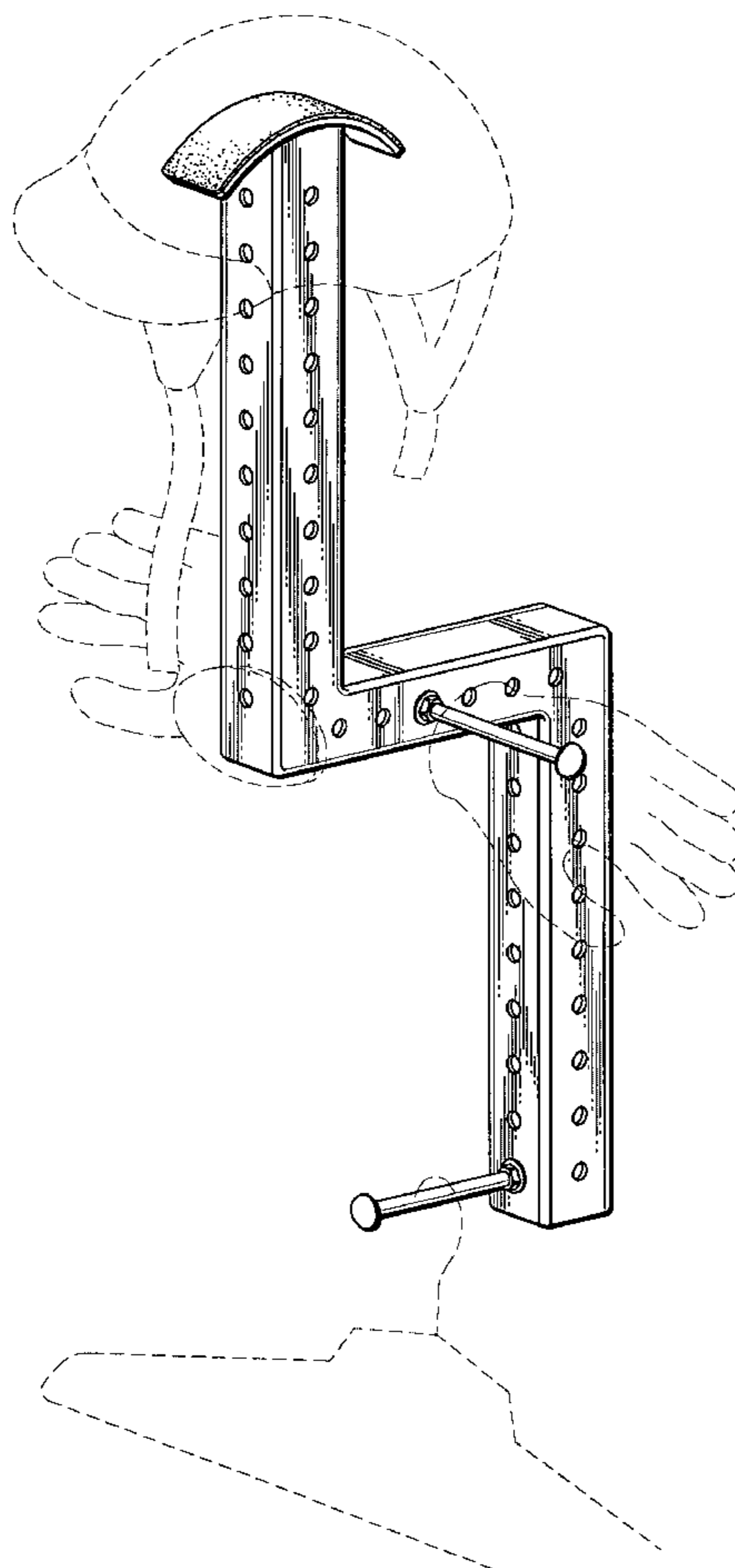
The broken lines shown in the drawing disclosure are for  
illustrative purposes only and form no part of the claimed  
design.

(56) **References Cited**

U.S. PATENT DOCUMENTS

4,517,709	A	5/1985	Arentsen et al.	
5,027,960	A	7/1991	Rainville	
D398,160	S *	9/1998	Umbarger	..... D6/320
6,053,340	A	4/2000	Cameron	
D444,954	S *	7/2001	Umbarger	..... D6/320
D469,262	S *	1/2003	Umbarger	..... D6/320

**1 Claim, 3 Drawing Sheets**



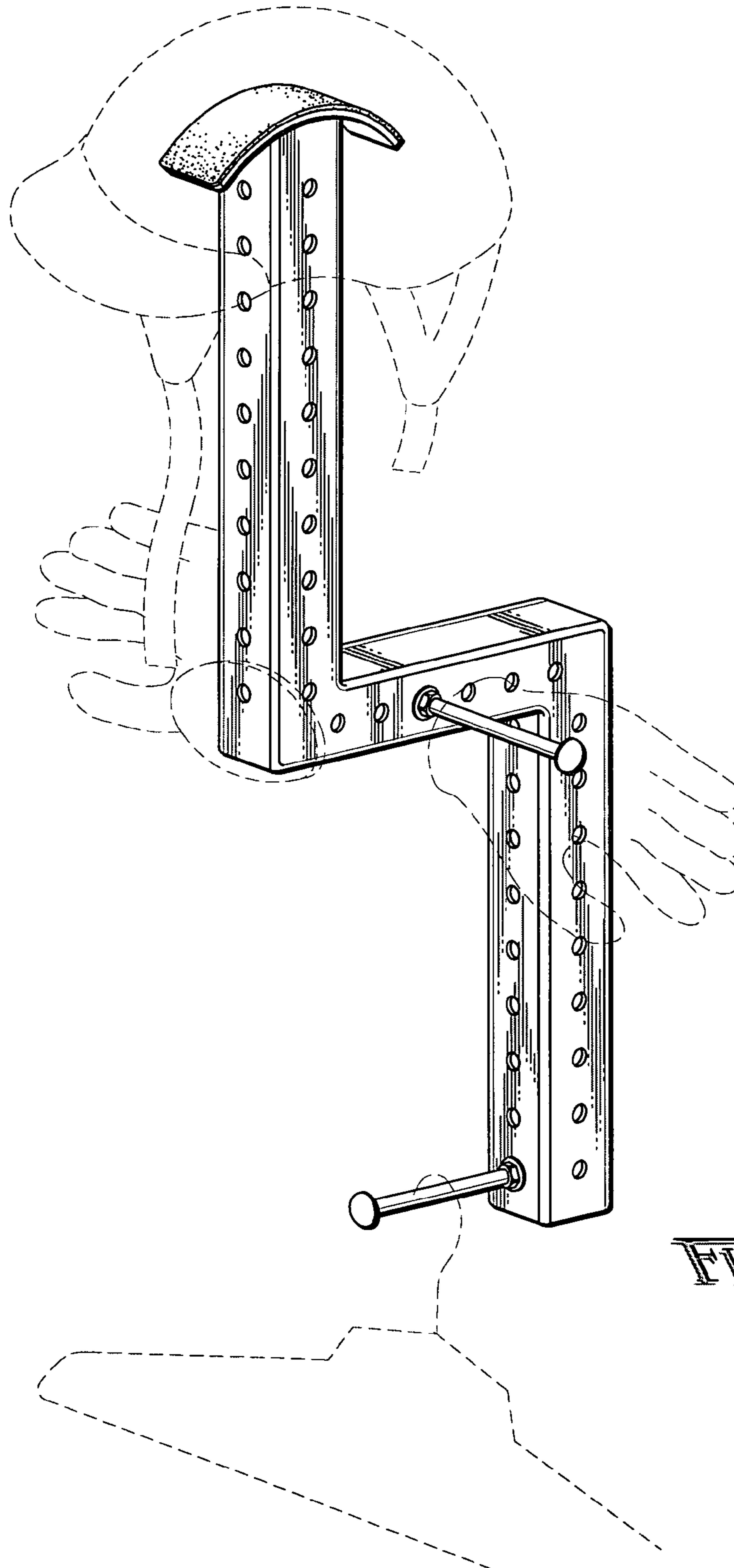


FIG. 1

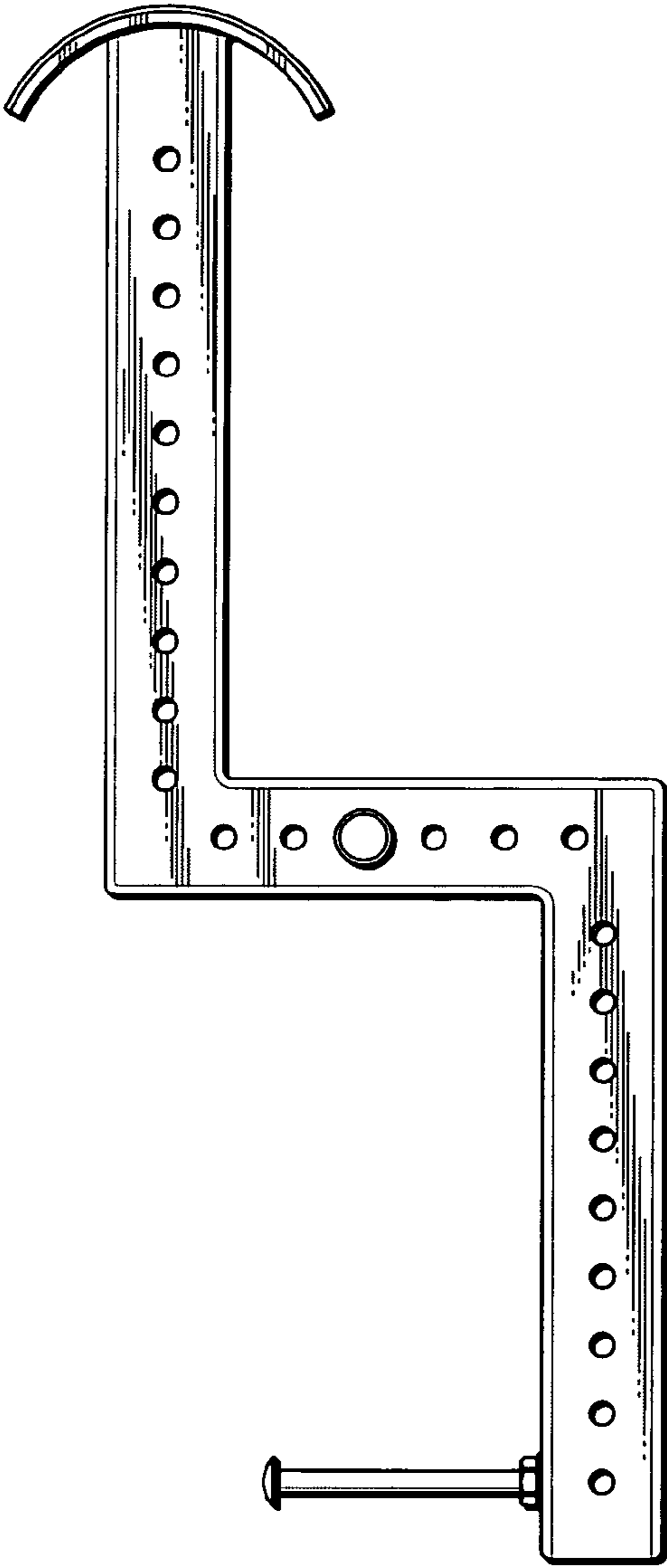


FIG. 2

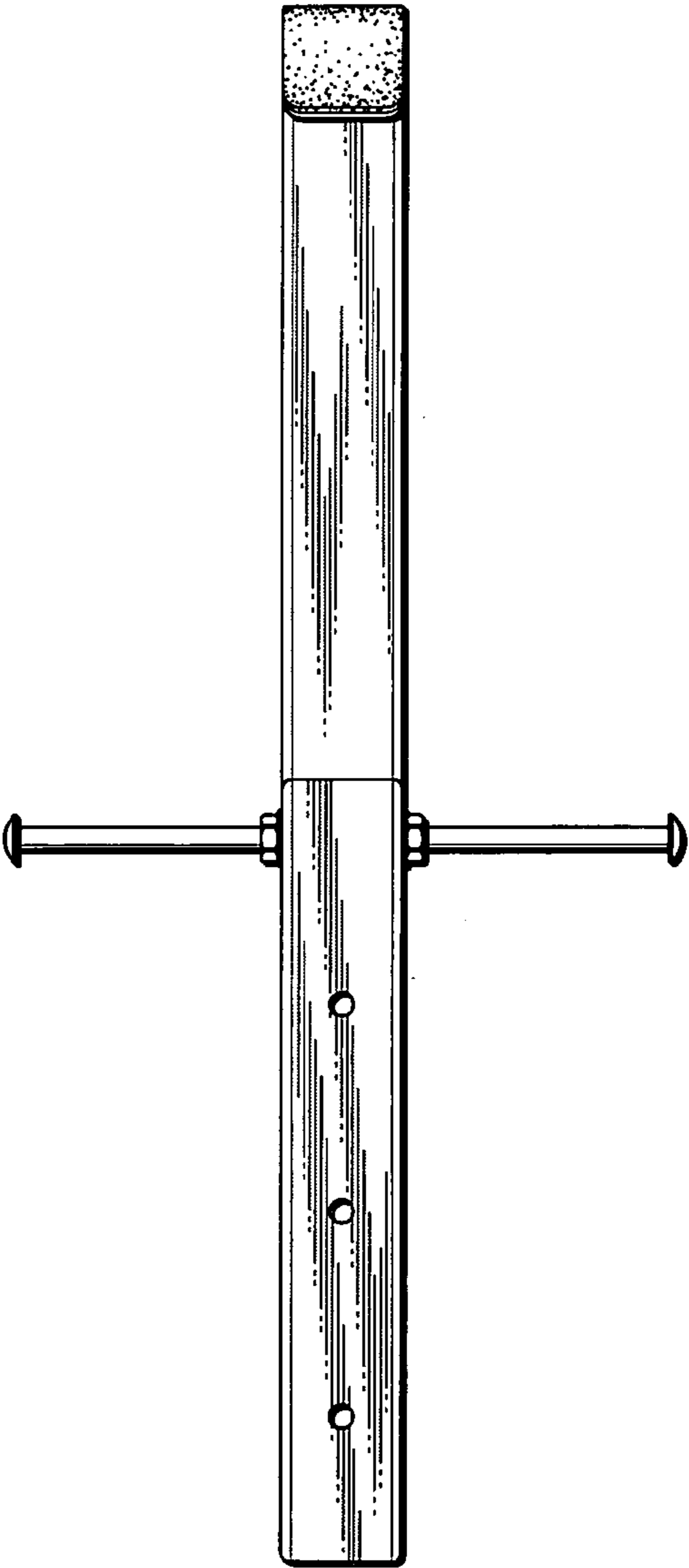


FIG. 3

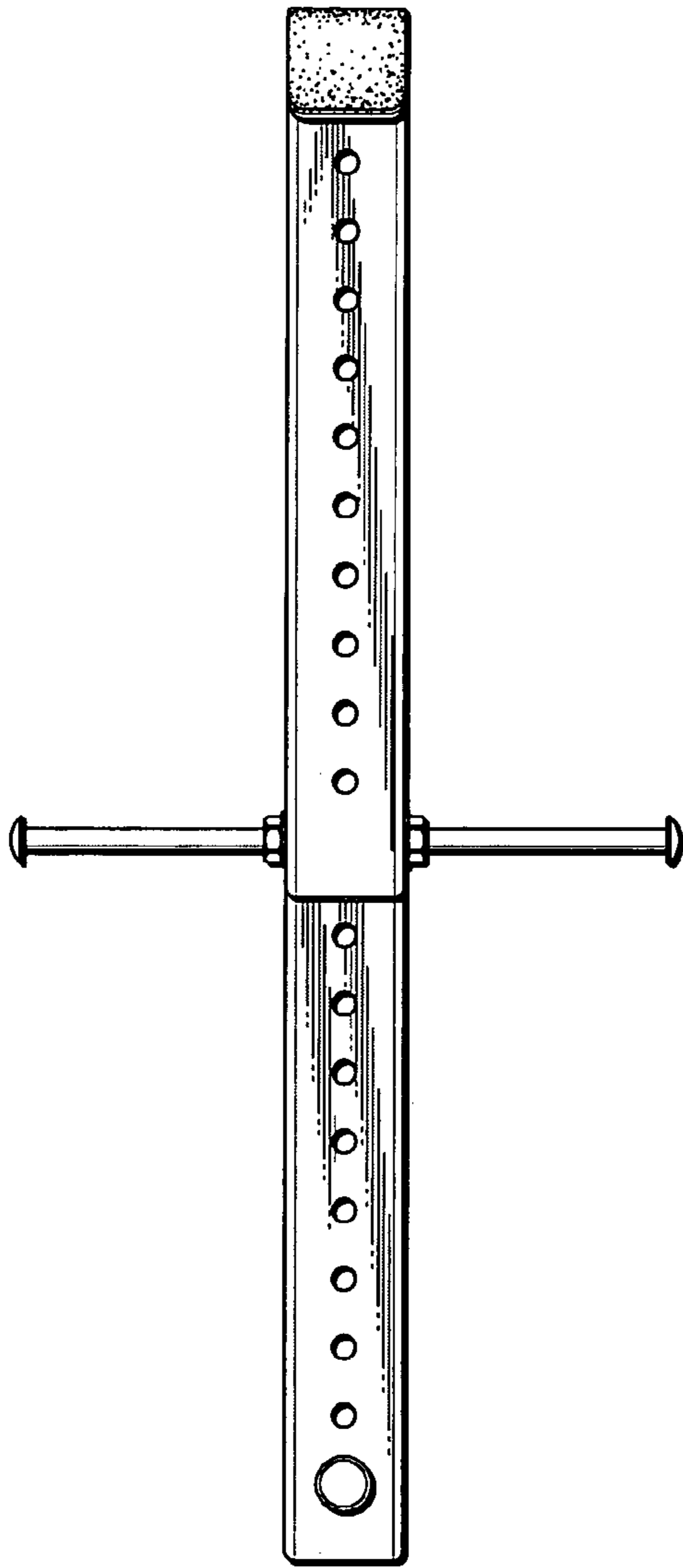


FIG. 4

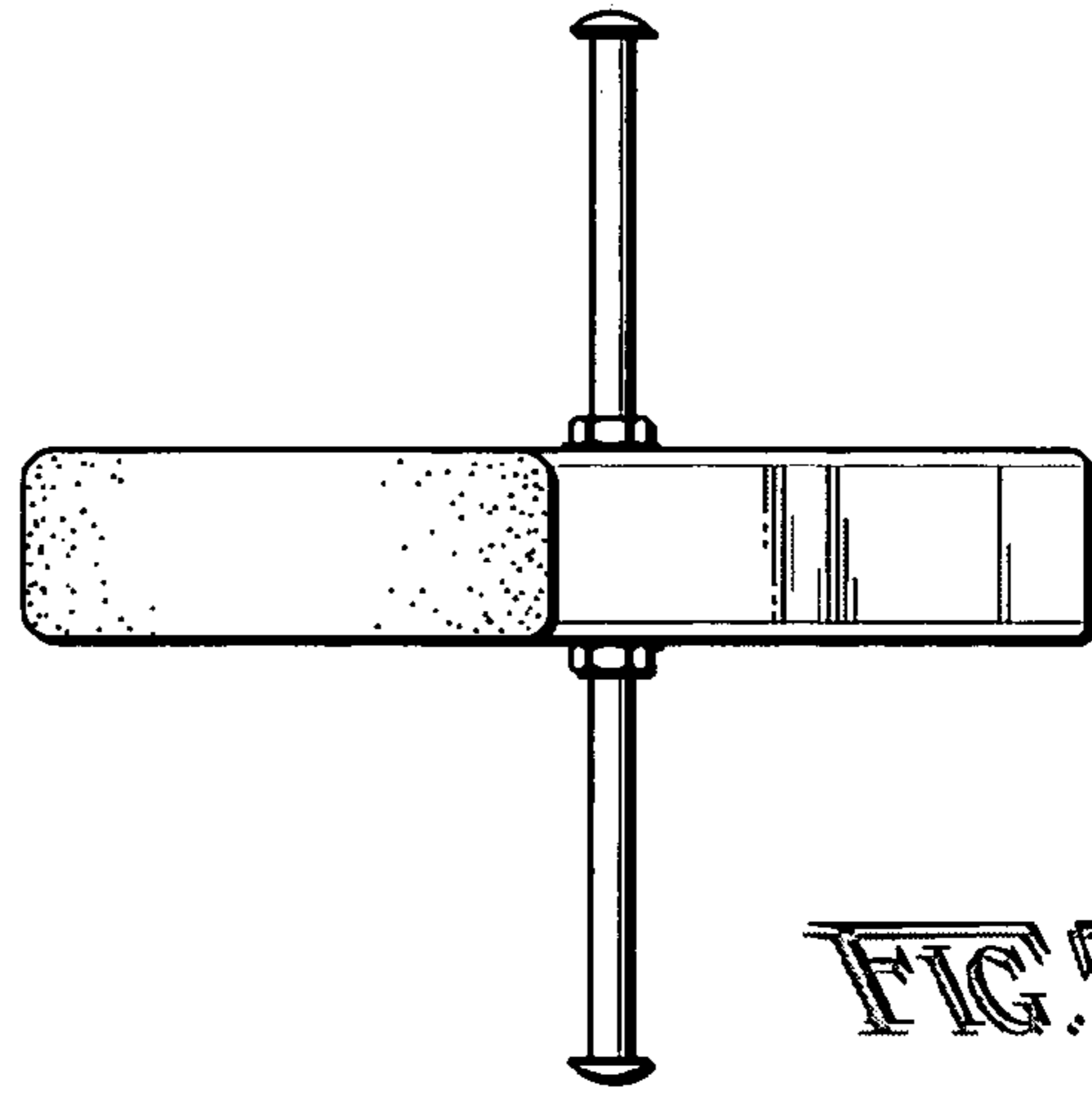


FIG. 5

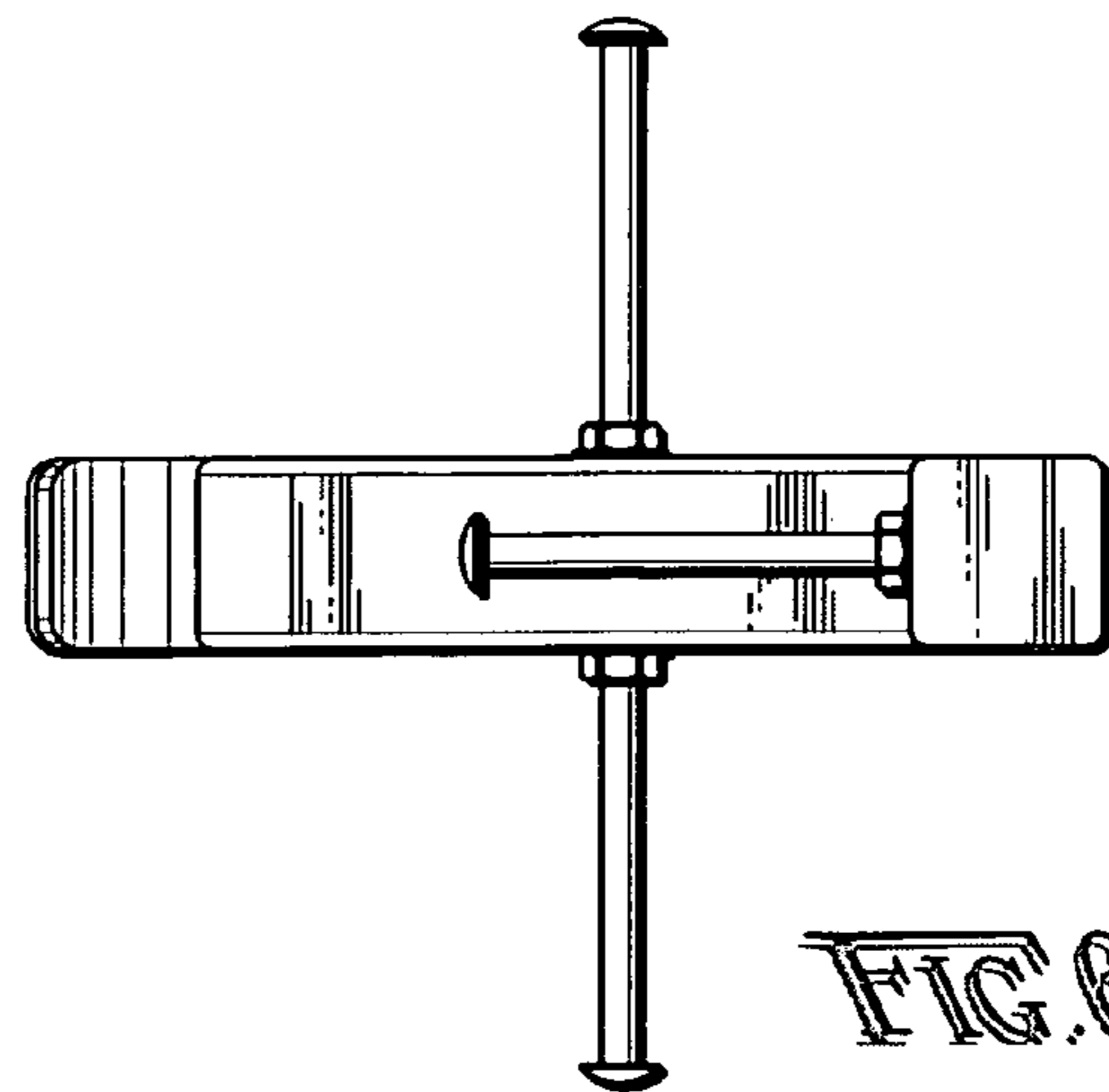


FIG. 6