



US00D632095S

(12) **United States Design Patent**
Losaw

(10) **Patent No.:** **US D632,095 S**
(45) **Date of Patent:** **** Feb. 8, 2011**

- (54) **PURSE HOOK**
- (76) Inventor: **Monte Roger Losaw**, 9841 N. Rampart Way Rd., Littleton, CO (US) 80125
- (**) Term: **14 Years**
- (21) Appl. No.: **29/343,511**
- (22) Filed: **Sep. 14, 2009**
- (51) **LOC (9) Cl.** **06-08**
- (52) **U.S. Cl.** **D6/315**
- (58) **Field of Classification Search** D6/315, D6/317, 320, 323, 325, 326, 328; D3/215, D3/228; D8/367; 24/461, 545; 132/275; 224/268; 211/1, 13.1, 85.3, 183; 223/85-98
See application file for complete search history.

- D608,386 S * 1/2010 Wright D17/20
- D612,158 S * 3/2010 Lehr et al. D6/328
- D612,159 S * 3/2010 Lehr et al. D6/328
- 2003/0150889 A1 8/2003 Caroselli et al.
- 2004/0195484 A1 10/2004 Sheeran
- 2005/0161570 A1 7/2005 Bauerly

FOREIGN PATENT DOCUMENTS

JP 10113275 5/1998

* cited by examiner

Primary Examiner—Shanda C Hill
(74) *Attorney, Agent, or Firm*—Sheridan Ross P.C.

(56) **References Cited**

U.S. PATENT DOCUMENTS

- 2,064,133 A 12/1936 Schroeder
- 2,473,086 A 6/1949 Montero
- 2,500,881 A 3/1950 Stader
- 2,532,255 A 11/1950 Davis
- 2,631,803 A 3/1953 Meyers
- D229,870 S 1/1974 Czarny
- D244,883 S 6/1977 Rohrmuller
- 4,194,714 A 3/1980 Schultz
- D256,738 S 9/1980 Dockery
- D275,527 S * 9/1984 Gee D3/215
- D300,882 S 5/1989 Olson
- 5,094,417 A 3/1992 Creed
- 5,594,419 A 1/1997 Lo
- D384,505 S 10/1997 Stewart
- 5,743,451 A * 4/1998 Kahn 224/268
- D429,899 S 8/2000 Schwartz
- D432,316 S * 10/2000 Duggan D6/317
- D435,733 S 1/2001 Osterholt
- D443,135 S * 6/2001 Marks et al. D3/228
- D452,610 S * 1/2002 Schwartzmiller D3/228
- D462,172 S 9/2002 Aurelio
- 6,454,147 B1 * 9/2002 Marks 224/268
- D467,159 S * 12/2002 Meyer D8/367
- 6,830,055 B1 * 12/2004 Frame et al. 132/275
- D505,545 S * 5/2005 Kay D3/228
- D507,737 S * 7/2005 Flanagan D6/317
- D517,732 S 3/2006 Osterholt

(57) **CLAIM**

The ornamental design for a purse hook, as shown and described.

DESCRIPTION

FIG. 1 is a perspective view of a purse hook showing my new design;

FIG. 2 is a front elevational view thereof;

FIG. 3 is a rear elevational view thereof;

FIG. 4 is a top plan view thereof;

FIG. 5 is a bottom plan view thereof;

FIG. 6 is a left elevational view thereof;

FIG. 7 is a right elevational view thereof;

FIG. 8 is a top perspective view of the purse hook, shown in a condition of use;

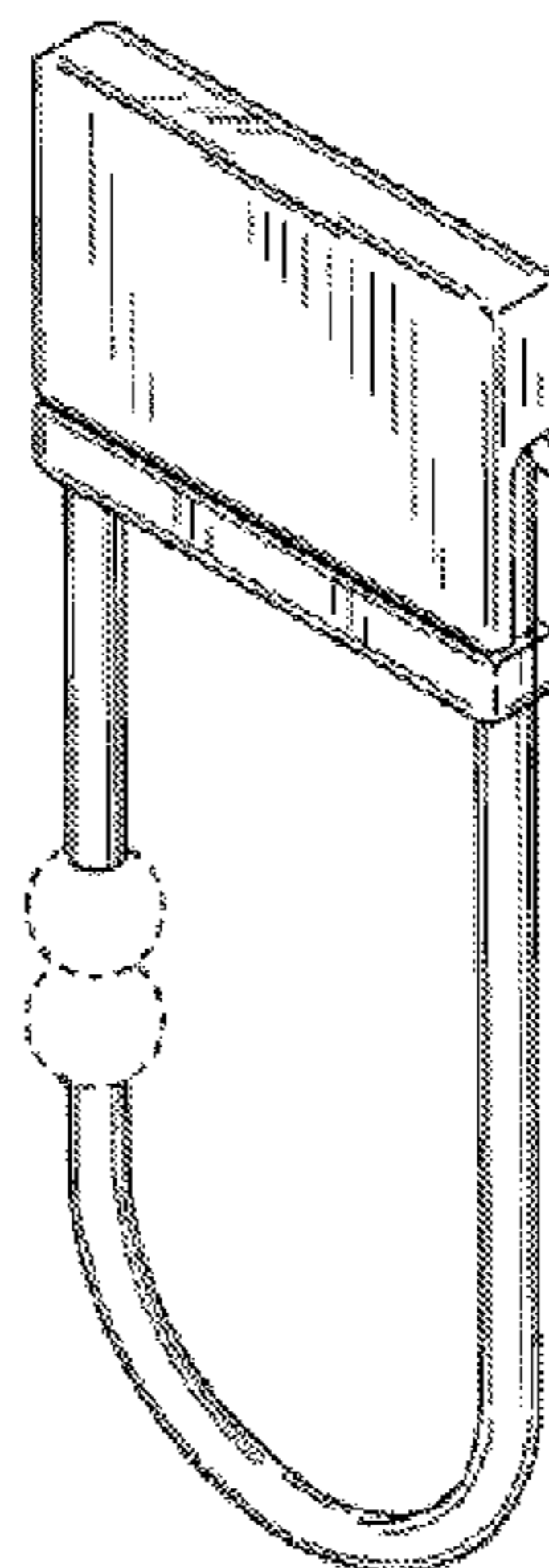
FIG. 9 is another top perspective view of the purse hook, shown in a condition of use;

FIG. 10 is a bottom perspective view of the purse hook shown in FIG. 9; and,

FIG. 11 is another top perspective view of the purse hook, shown in another condition of use.

The broken lines showing environment is for illustrative purposes only and forms no part of the claimed design.

1 Claim, 5 Drawing Sheets



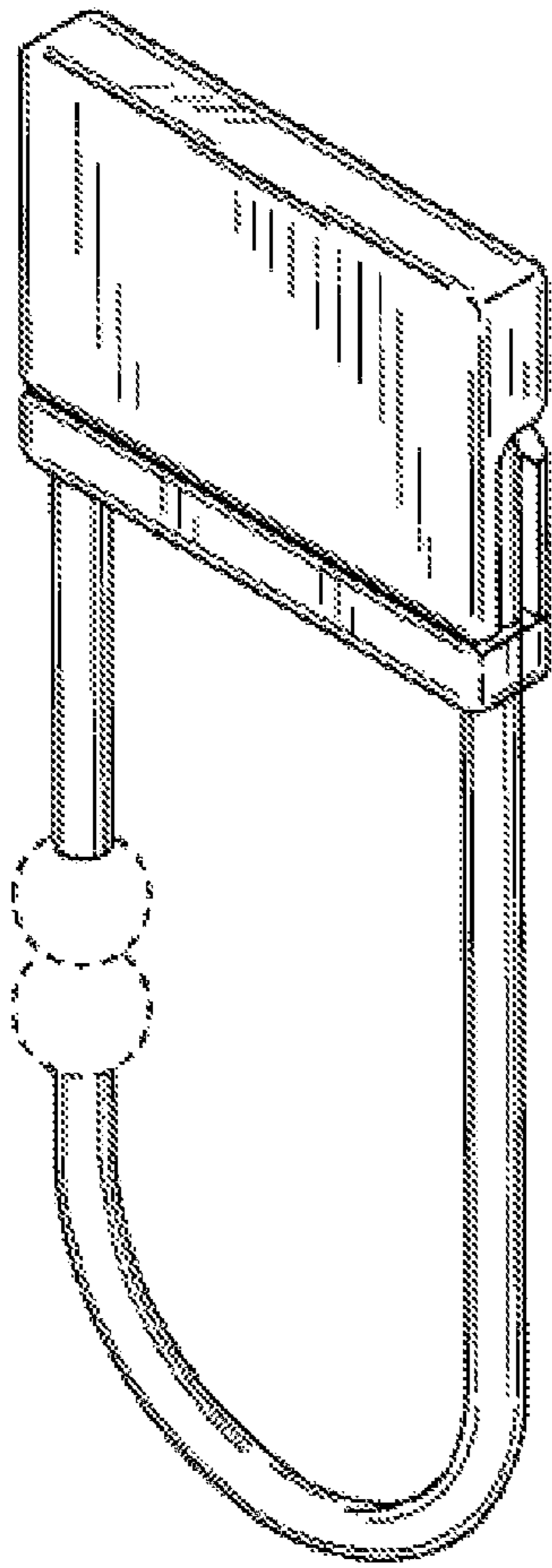


Fig. 1

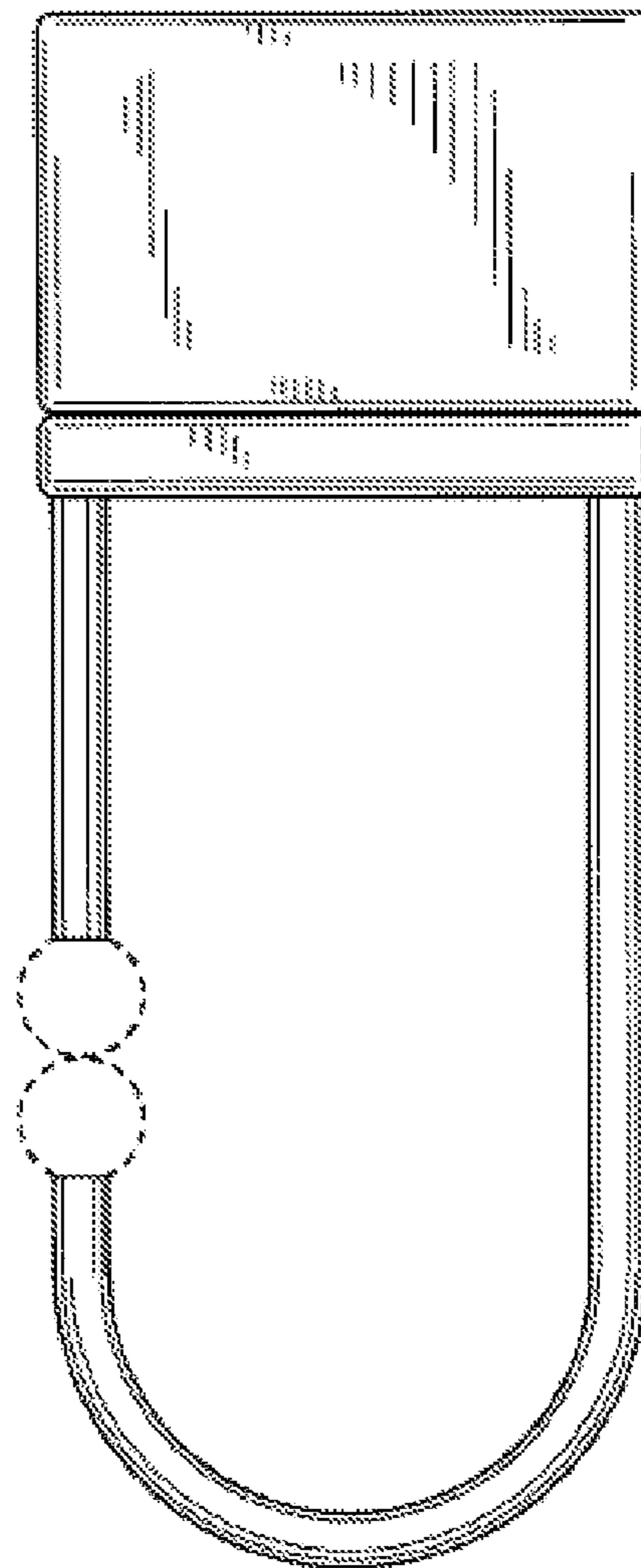


Fig. 2

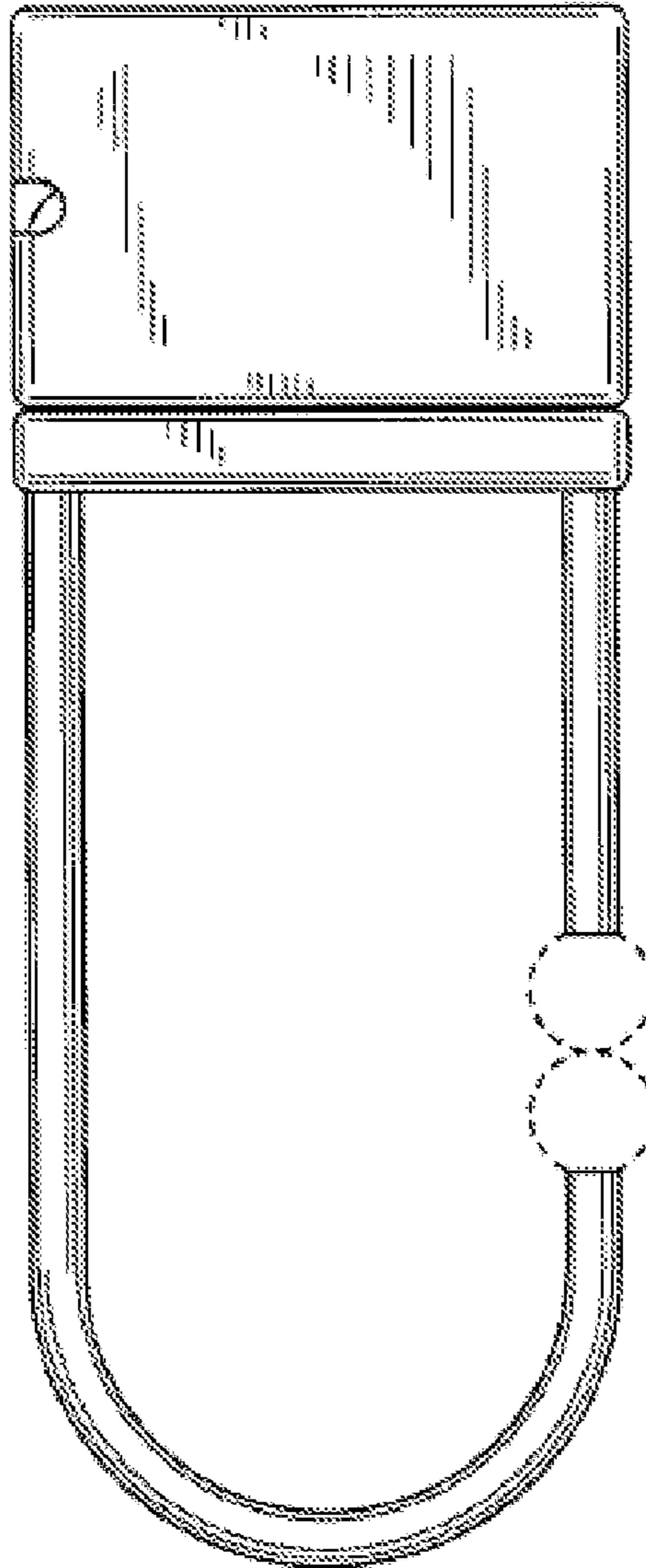


Fig. 3

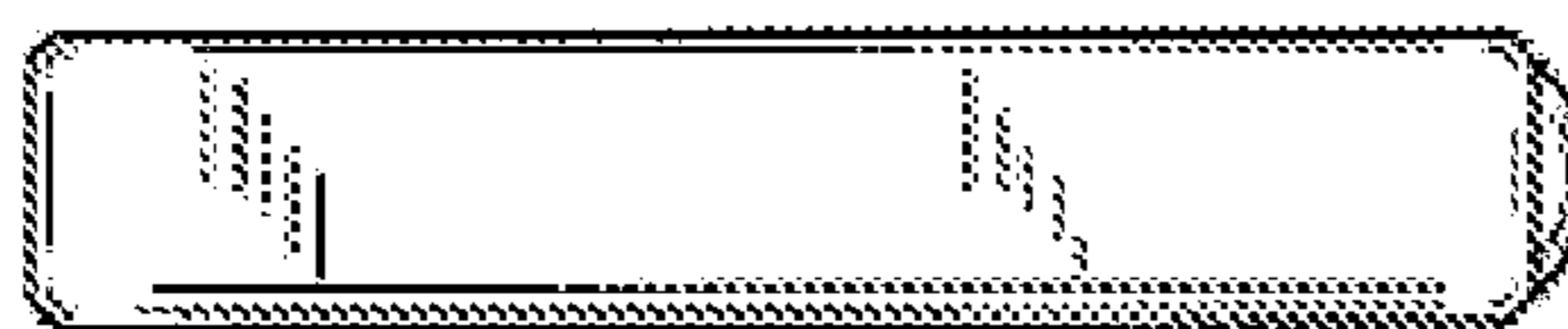


Fig. 4

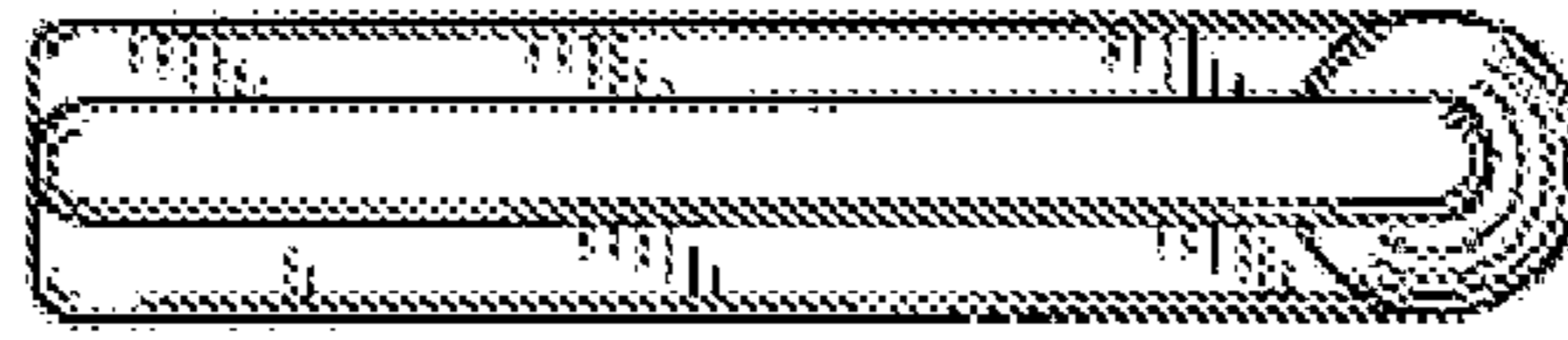


Fig. 5

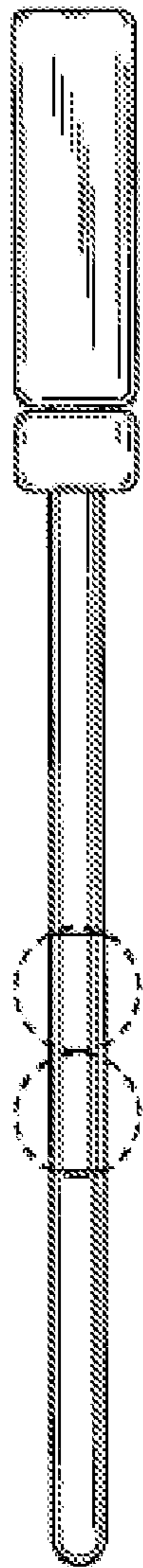


Fig. 6

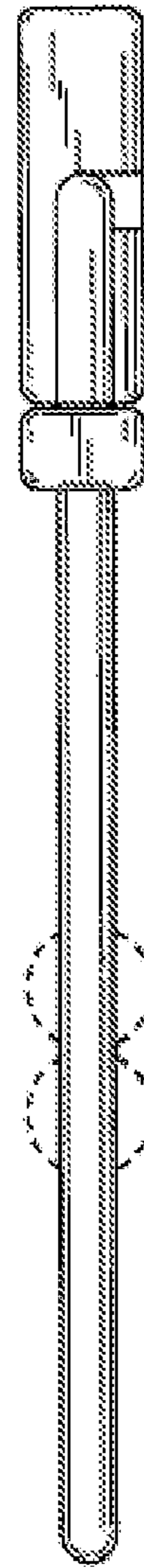


Fig. 7

Fig. 8

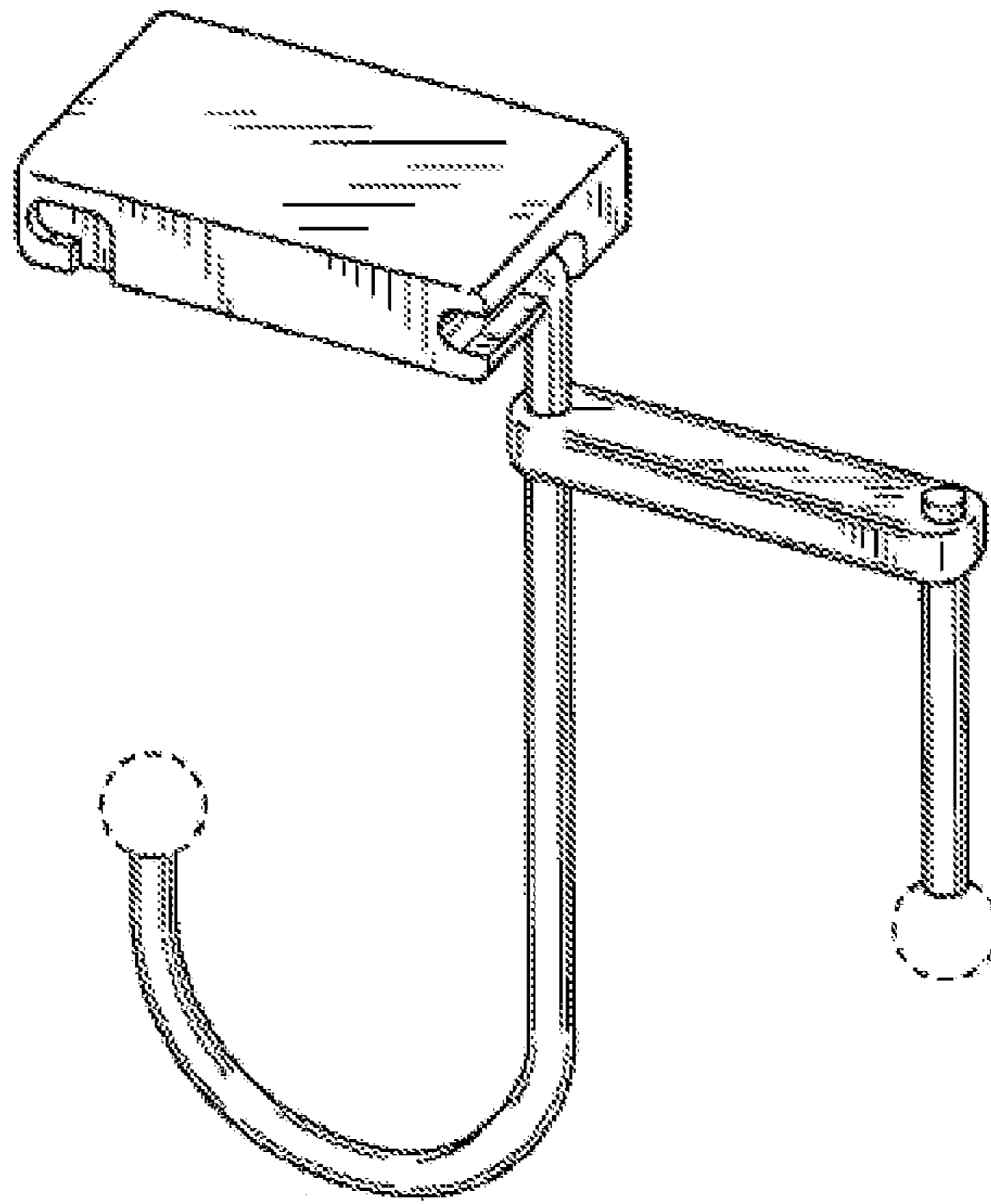


Fig. 9

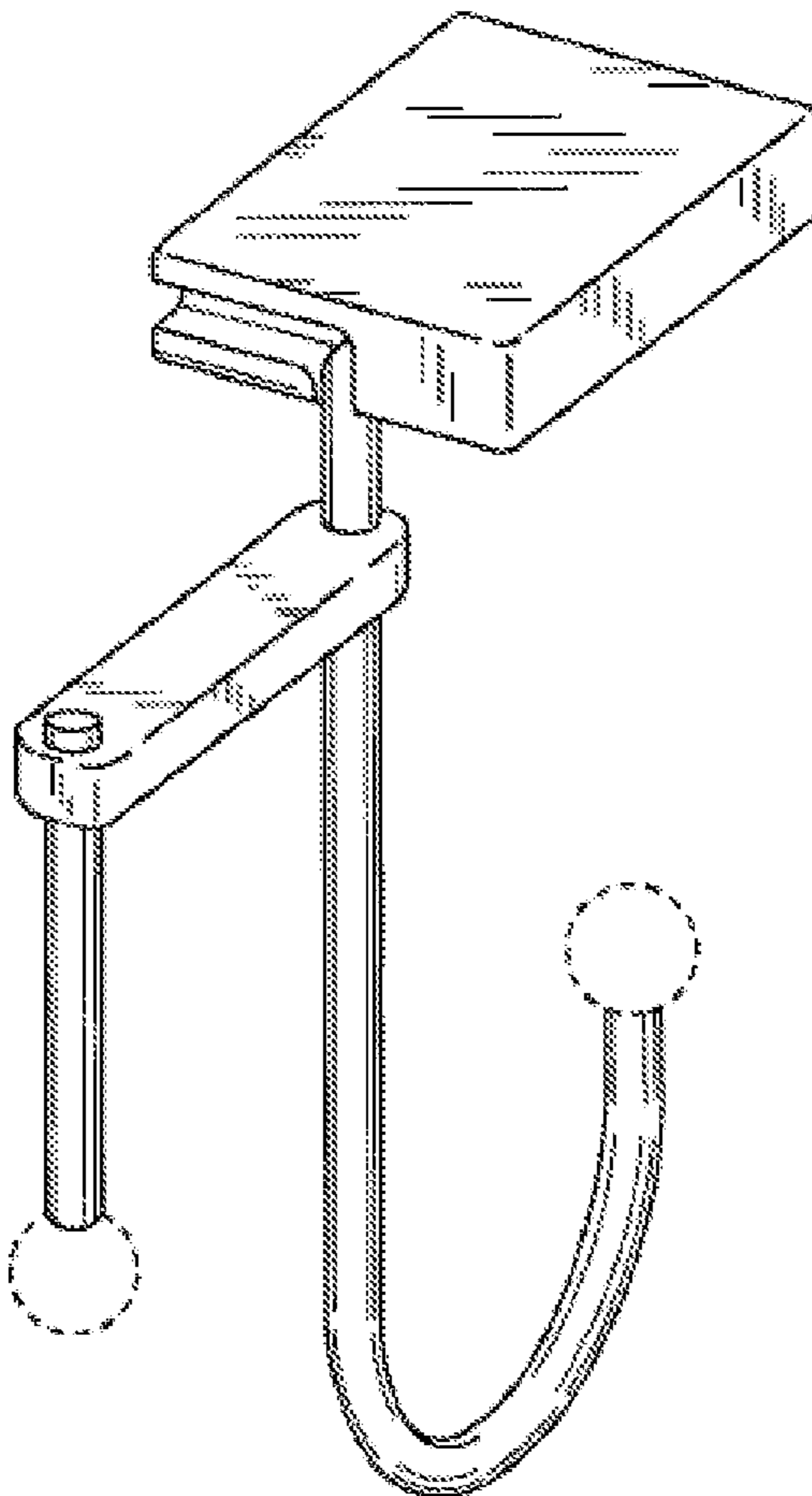


Fig. 10

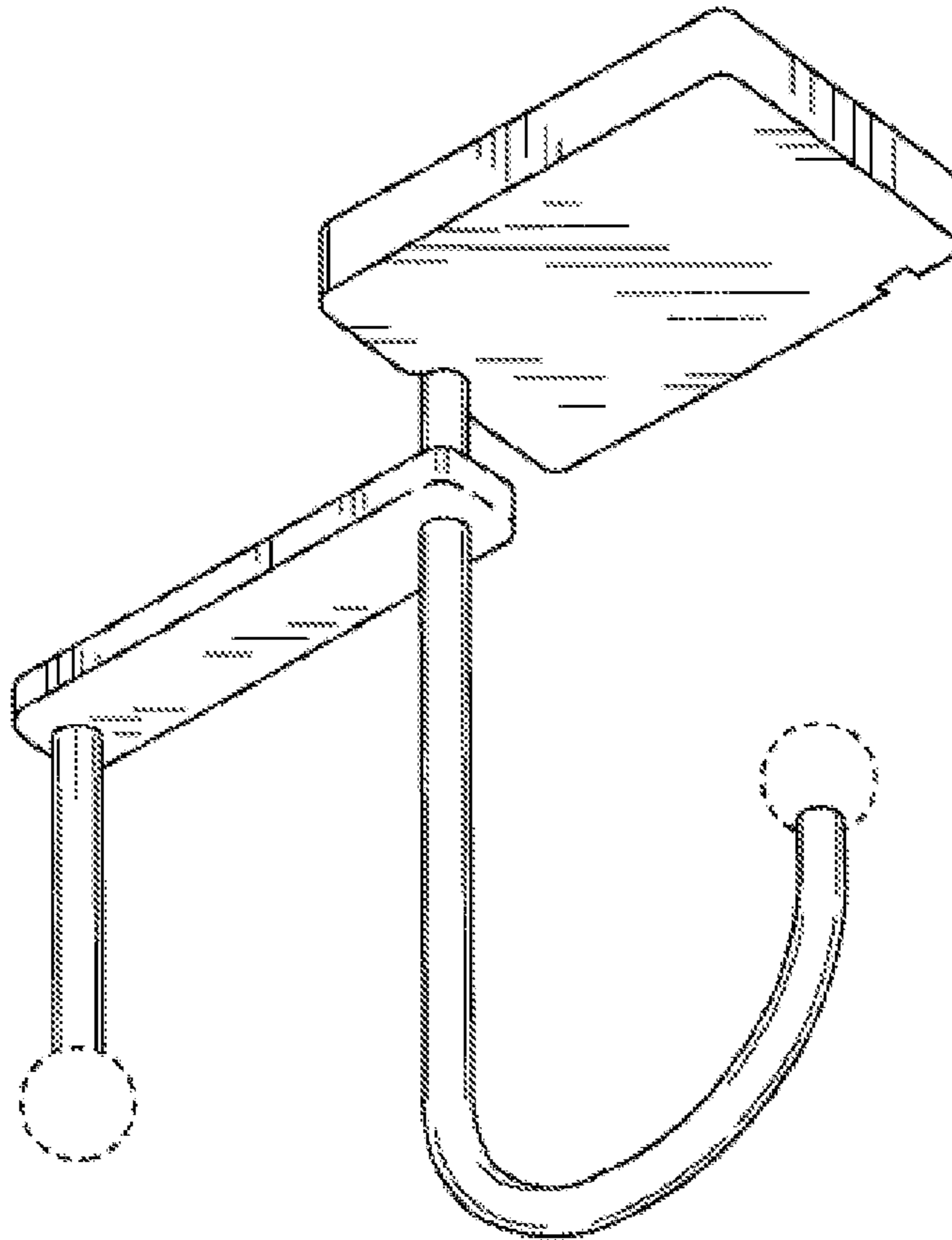


Fig. 11

