



US00D632090S

(12) **United States Design Patent**  
**Cobabe et al.**

(10) **Patent No.:** **US D632,090 S**  
(45) **Date of Patent:** **\*\* Feb. 8, 2011**

(54) **TOILET BOWL CLEANER STEM**

FOREIGN PATENT DOCUMENTS

(75) Inventors: **Aaron D. Cobabe**, Syracuse, UT (US);  
**W. Kenneth Thiess**, Parker, CO (US);  
**David J. Lowe**, Parker, CO (US); **David**  
**O. Meyers**, Kaysville, UT (US)

DE 32 34 704 3/1984

(Continued)

(73) Assignee: **SonicScrubbers, Inc.**, Layton, UT (US)

Clorox, *Toilet Wand*, published at least as early as Oct. 1, 2009.

(\*\*) Term: **14 Years**

(Continued)

(21) Appl. No.: **29/344,934**

*Primary Examiner*—Cathron C Brooks

*Assistant Examiner*—Barbara Fox

(22) Filed: **Oct. 6, 2009**

(74) *Attorney, Agent, or Firm*—Workman Nydegger

(51) **LOC (9) Cl.** ..... **04-02**

(52) **U.S. Cl.** ..... **D4/138**

(58) **Field of Classification Search** ..... D4/100,  
D4/102, 114, 115, 122, 127, 138; 15/22.1,  
15/28, 29, 49.1, 50.1, 98, 144.1–144.4, 179,  
15/180

See application file for complete search history.

OTHER PUBLICATIONS

(Continued)

*Primary Examiner*—Cathron C Brooks

*Assistant Examiner*—Barbara Fox

(74) *Attorney, Agent, or Firm*—Workman Nydegger

(57) **CLAIM**

The ornamental design for a toilet bowl cleaner stem, as shown and described.

**DESCRIPTION**

FIG. 1 is a top perspective view of a toilet bowl cleaner stem showing our new design;

FIG. 2 is a bottom perspective view thereof;

FIG. 3 is a left side elevational view thereof, shown broken away for ease of illustration;

FIG. 4 is a top plan view thereof;

FIG. 5 is a right side elevational view thereof;

FIG. 6 is a bottom plan view thereof;

FIG. 7 is a rear elevational view thereof, taken along line 7—7 on FIG. 5, shown enlarged for completeness of illustration; and,

FIG. 8 is a front elevational view thereof, taken along line 8—8 on FIG. 5, shown enlarged for completeness of illustration.

The broken lines in the drawings illustrate unclaimed portions of the toilet bowl cleaner stem and environmental structure and form no part of the claimed design.

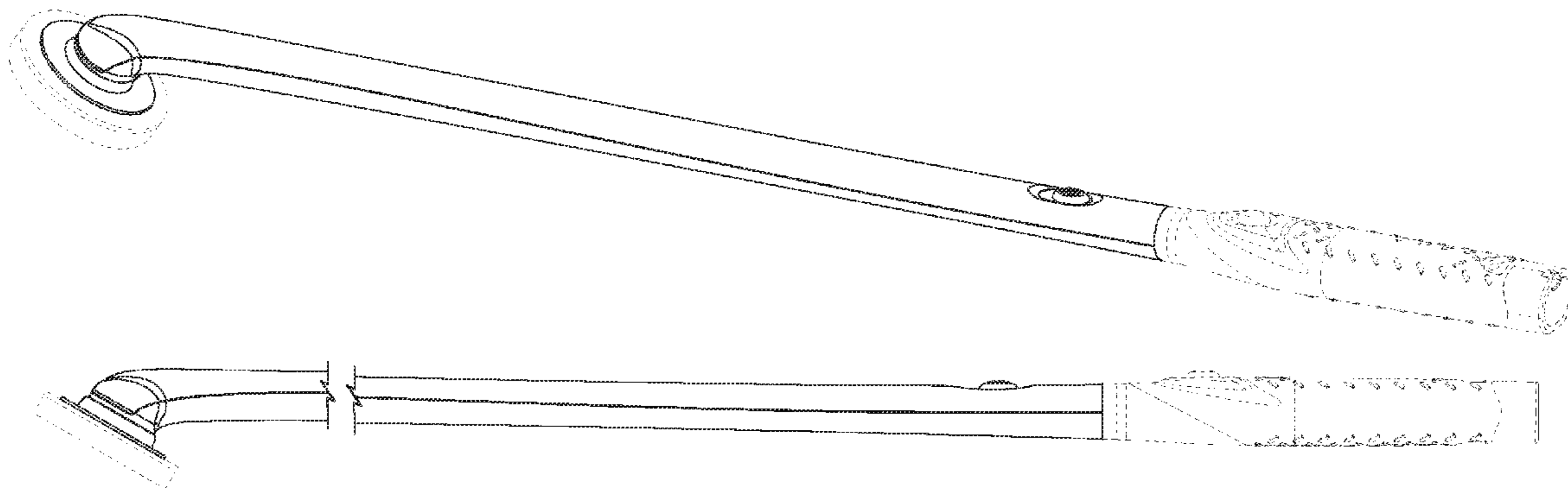
(56) **References Cited**

U.S. PATENT DOCUMENTS

1,534,300	A *	4/1925	Coltrane	401/203
2,778,043	A	1/1957	Arf	
2,825,084	A *	3/1958	Sanborn	15/210.1
2,911,660	A	11/1959	Klemas et al.	
3,183,538	A	5/1965	Hubner	
3,274,631	A	9/1966	Spohr	
3,667,454	A	6/1972	Prince	
3,675,645	A	7/1972	Samiran et al.	
3,699,952	A	10/1972	Waters et al.	
3,864,779	A	2/1975	Thomas	
3,939,599	A	2/1976	Henry et al.	
4,079,517	A	3/1978	Zacharia	
4,127,911	A	12/1978	Cupp et al.	
4,137,588	A	2/1979	Sandt et al.	
4,173,828	A	11/1979	Lustig et al.	
4,654,921	A	4/1987	Dinner	
4,827,552	A	5/1989	Bojar et al.	
5,145,369	A	9/1992	Lustig et al.	
5,160,194	A	11/1992	Feldman	

(Continued)

**1 Claim, 3 Drawing Sheets**



# US D632,090 S

Page 2

## U.S. PATENT DOCUMENTS

5,341,534 A 8/1994 Serbinski et al.  
 5,435,032 A 7/1995 McDougall  
 5,465,444 A 11/1995 Bigler et al.  
 5,467,495 A 11/1995 Boland et al.  
 5,504,959 A 4/1996 Yukawa et al.  
 5,577,285 A 11/1996 Drossler  
 5,590,434 A 1/1997 Imai  
 5,617,601 A 4/1997 McDougall  
 5,617,603 A 4/1997 Mei  
 5,625,916 A 5/1997 McDougall  
 5,652,990 A 8/1997 Driesen et al.  
 5,930,860 A 8/1999 Shipp  
 5,950,268 A 9/1999 Murphy et al.  
 5,956,792 A 9/1999 Gutelius et al.  
 5,974,615 A 11/1999 Schwarz-Hartmann et al.  
 6,021,538 A 2/2000 Kressner et al.  
 6,058,542 A 5/2000 Lo  
 6,092,252 A 7/2000 Fischer et al.  
 6,178,579 B1 1/2001 Blaustein et al.  
 6,199,242 B1 3/2001 Masterman et al.  
 6,230,717 B1 5/2001 Marx et al.  
 6,253,405 B1 7/2001 Gutelius et al.  
 6,295,681 B1 10/2001 Dolah  
 D451,287 S \* 12/2001 Ingram ..... D4/118  
 D452,079 S \* 12/2001 Ping ..... D4/104  
 6,347,425 B1 2/2002 Fattori et al.  
 6,363,565 B1 4/2002 Paffrath  
 6,421,865 B1 7/2002 McDougall  
 6,421,866 B1 7/2002 McDougall  
 6,442,785 B1 9/2002 Robinson  
 6,581,233 B1 6/2003 Cheng  
 D491,728 S 6/2004 Jimenez  
 6,745,427 B1 6/2004 Trenz et al.  
 6,792,640 B2 9/2004 Lev  
 D513,881 S \* 1/2006 Meyers et al. .... D4/102  
 6,993,803 B2 2/2006 Chan  
 7,065,825 B2 6/2006 Minkler et al.  
 7,159,265 B2 1/2007 Soller et al.  
 7,178,189 B1 2/2007 Perry et al.  
 7,237,305 B2 \* 7/2007 Newman et al. .... 16/429  
 7,258,229 B2 8/2007 Chan

7,287,295 B2 10/2007 Treacy et al.  
 7,316,046 B2 1/2008 Michaels et al.  
 7,360,269 B2 \* 4/2008 Cobabe et al. .... 15/22.1  
 7,469,703 B2 12/2008 France et al.  
 7,614,107 B2 11/2009 Cobabe et al.  
 D623,411 S \* 9/2010 Cobabe et al. .... D4/102  
 2001/0042280 A1 11/2001 Moskovich et al.  
 2002/0004964 A1 1/2002 Luchino et al.  
 2002/0039720 A1 4/2002 Marx et al.  
 2002/0066147 A1 6/2002 Schutz  
 2002/0162180 A1 11/2002 Blaustein et al.  
 2003/0131427 A1 7/2003 Hilscher et al.  
 2003/0140437 A1 7/2003 Eliav et al.  
 2003/0154567 A1 8/2003 Drossler et al.  
 2003/0163881 A1 9/2003 Driesen et al.  
 2003/0221269 A1 12/2003 Zhuan  
 2004/0083567 A1 5/2004 Lies  
 2004/0143923 A1 \* 7/2004 Bensussan et al. .... 15/160  
 2004/0200016 A1 10/2004 Chan et al.  
 2004/0244130 A1 12/2004 Kim  
 2005/0011023 A1 1/2005 Chan  
 2005/0053895 A1 3/2005 Pinyayev et al.  
 2005/0055784 A1 3/2005 Wong  
 2005/0066996 A1 3/2005 France et al.  
 2005/0144744 A1 \* 7/2005 Thiess et al. .... 15/22.1  
 2008/0022472 A1 \* 1/2008 Minkler et al. .... 15/143.1

## FOREIGN PATENT DOCUMENTS

DE	43 15 320	A1	11/1994
EM	66782-0001		8/2003
EM	98991-0003		11/2003
JP	2006-271645		10/2006

## OTHER PUBLICATIONS

Scotch-Brite, *Disposable Toilet Scrubbers*, published at least as early as Oct. 1, 2009.  
 Scrubbing Bubbles, *Fresh Bruch*, published at least as early as Oct. 1, 2009.  
 SonicScrubbers, LLC, *SonicScrubbies*, published at least as early as Jun. 1, 2008.

\* cited by examiner

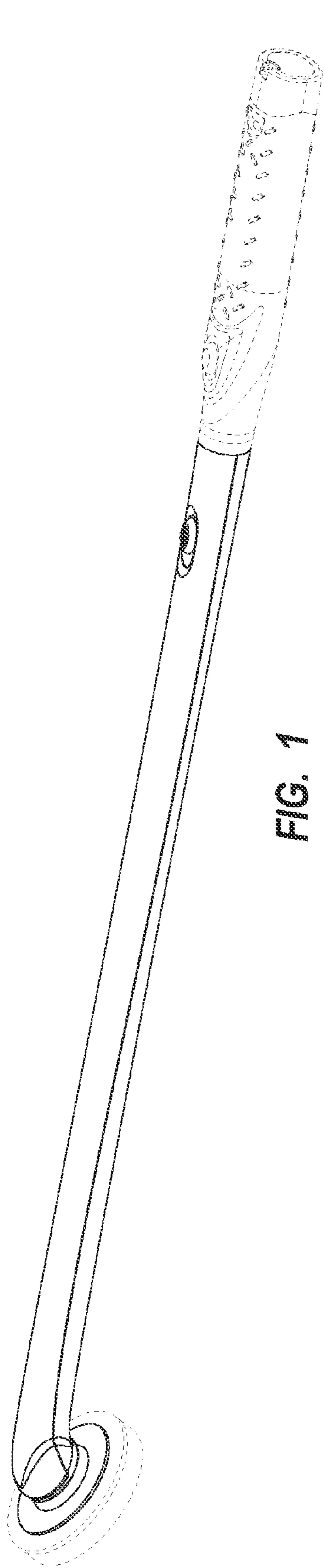


FIG. 1

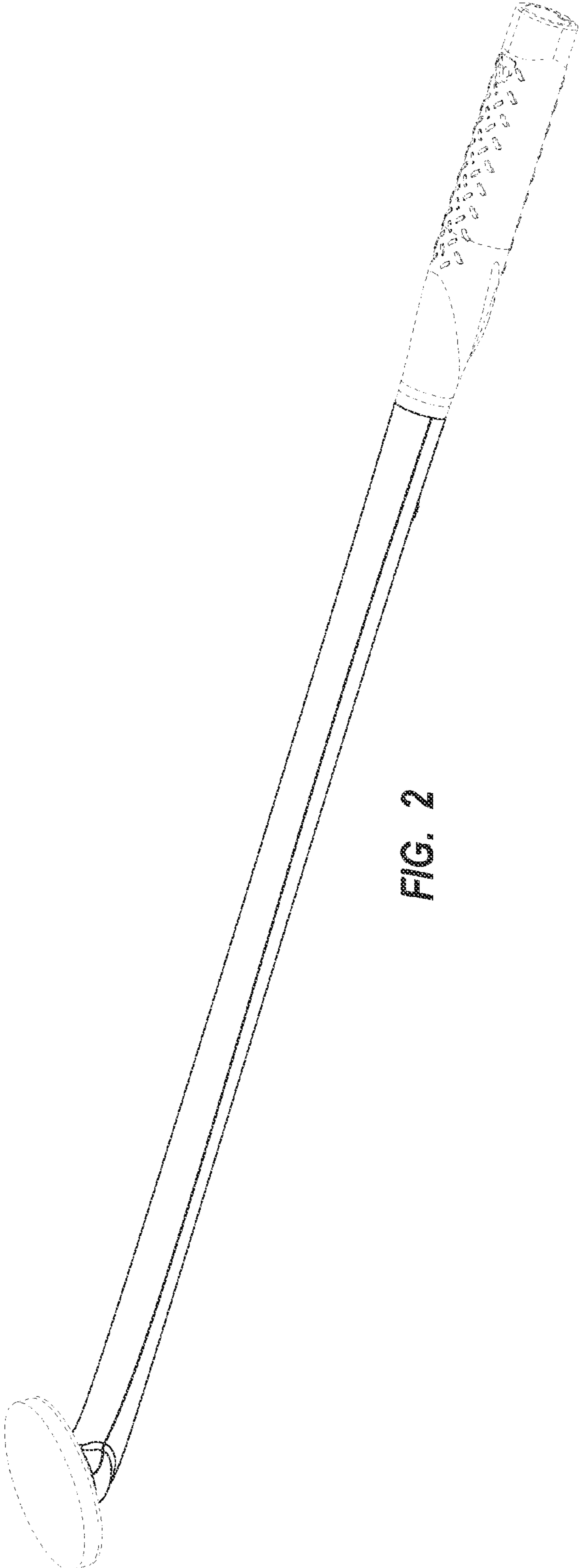


FIG. 2

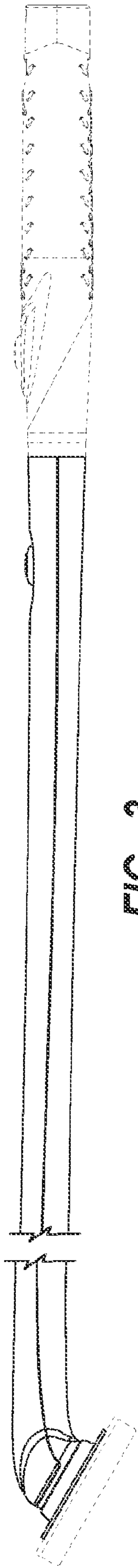


FIG. 3

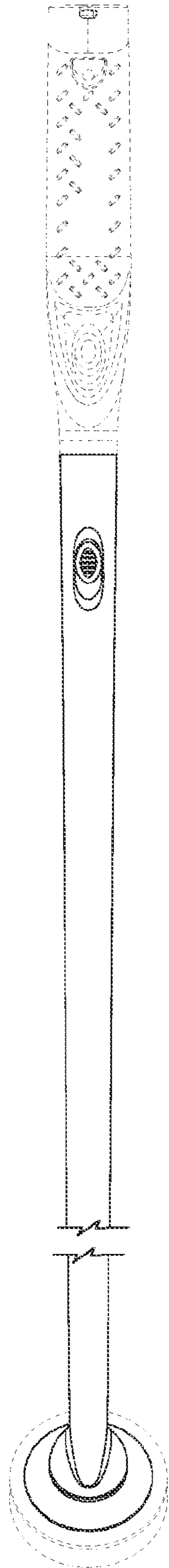


FIG. 4

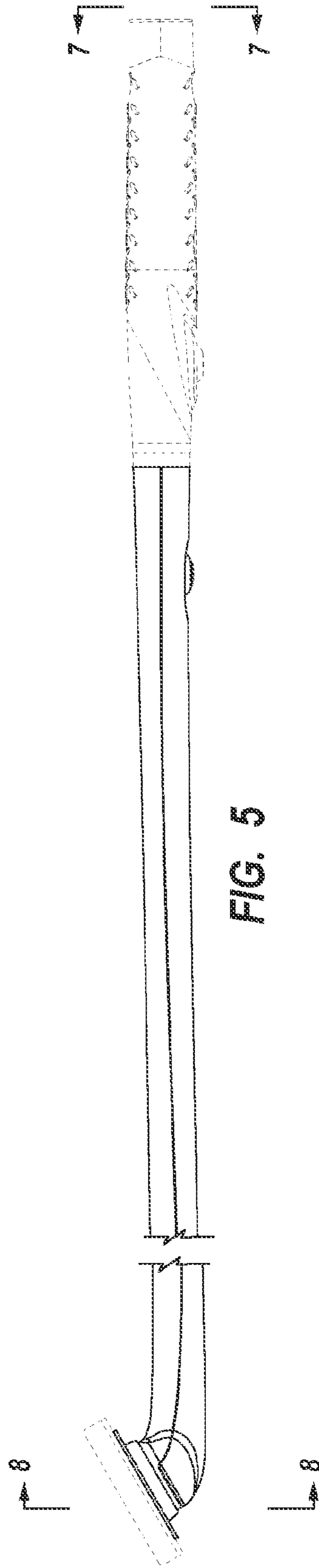


FIG. 5

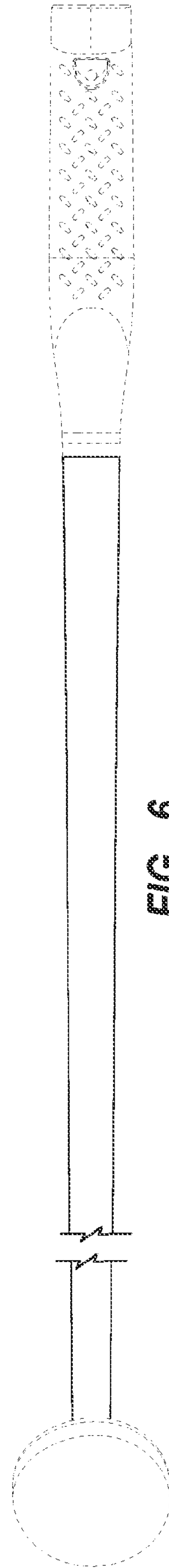


FIG. 6

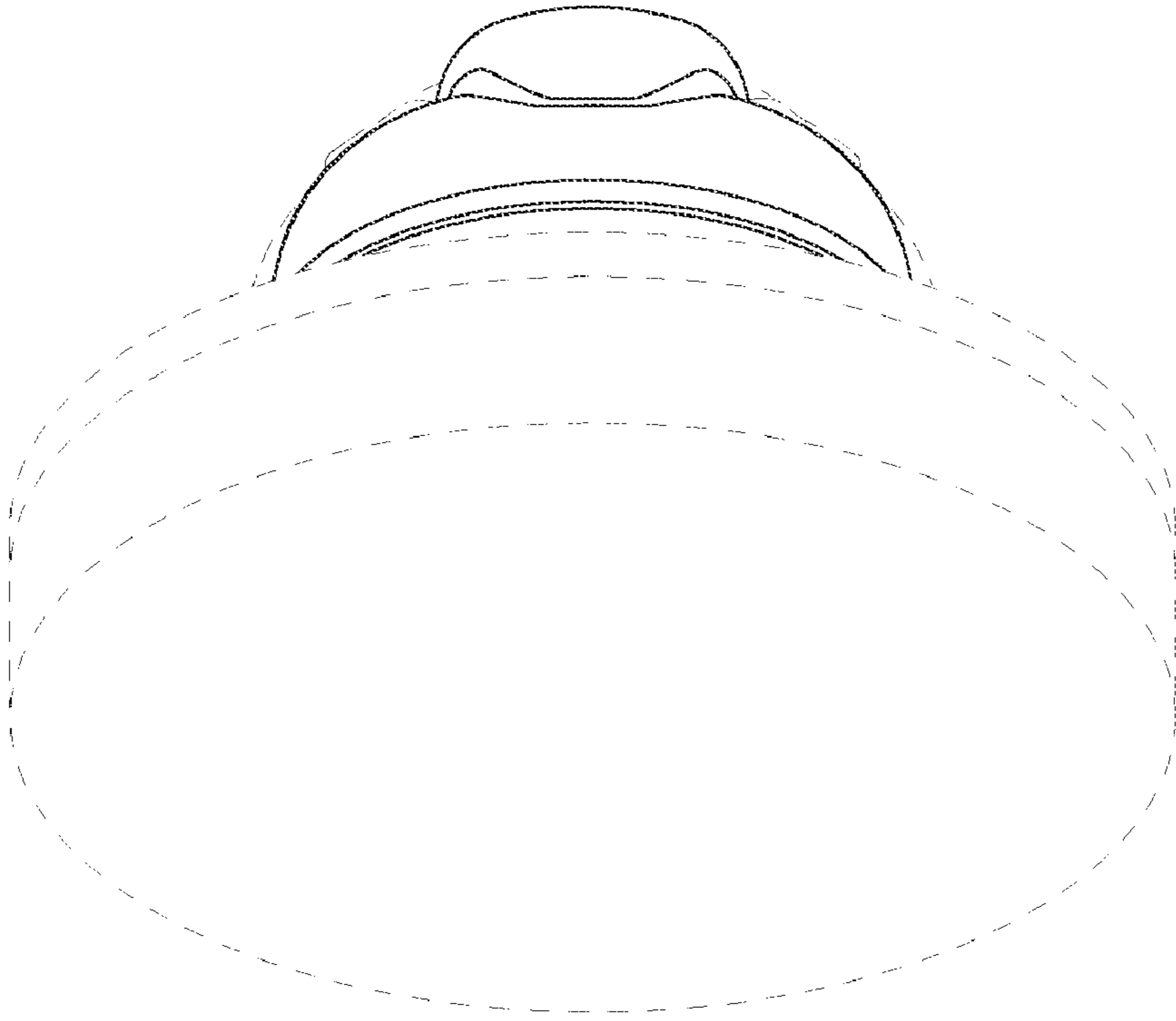


FIG. 8

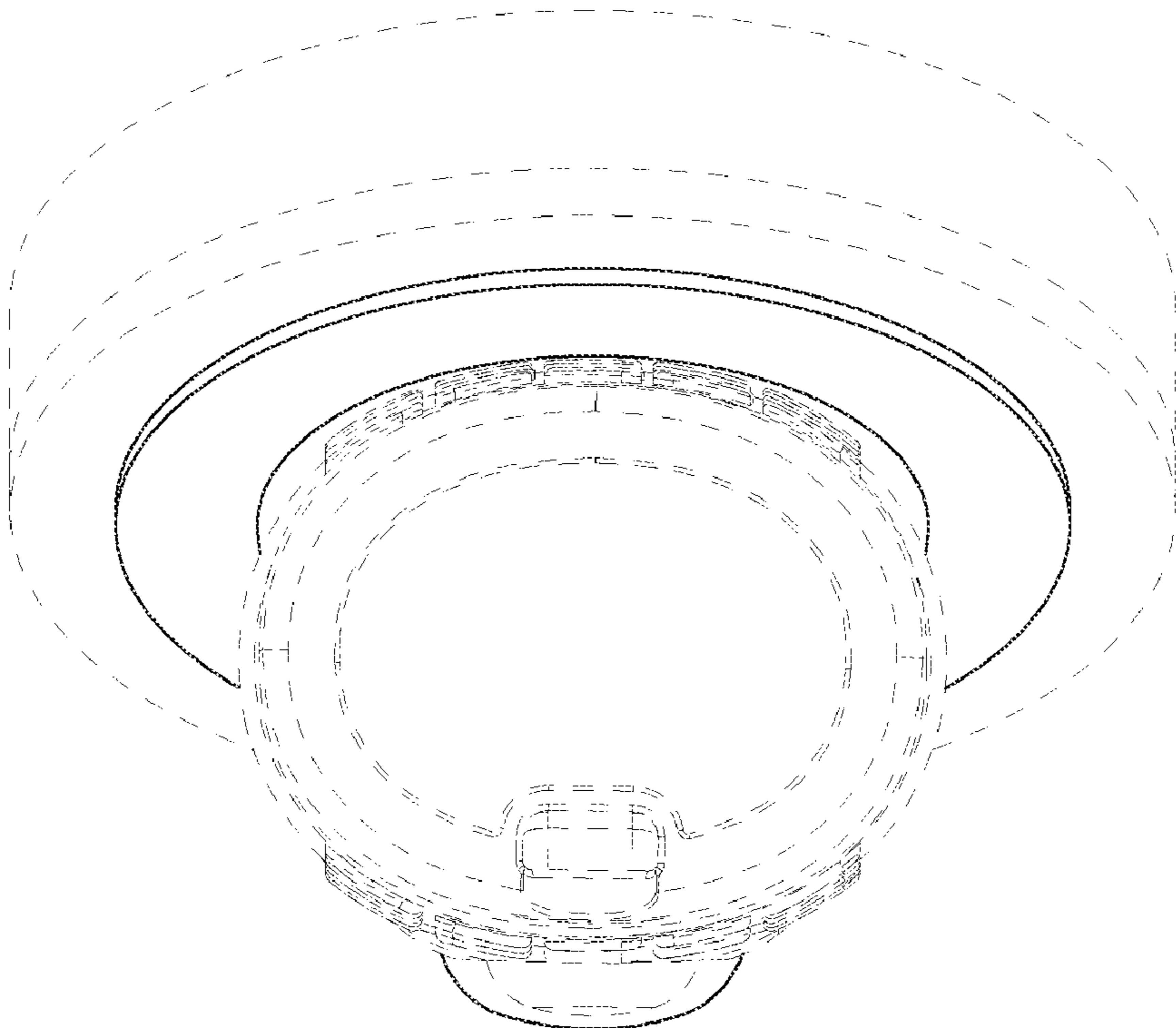


FIG. 7