



US00D632087S

(12) **United States Design Patent**  
**Wang**

(10) **Patent No.:** **US D632,087 S**

(45) **Date of Patent:** **\*\* Feb. 8, 2011**

(54) **PALM CURRY BRUSH**

(75) Inventor: **Yueh Yu Wang**, Kowloon (HK)

(73) Assignee: **Topet International Co., Limited**,  
Kwun Tong, Kowloon (HK)

(\*\*) Term: **14 Years**

(21) Appl. No.: **29/357,680**

(22) Filed: **Mar. 16, 2010**

(51) **LOC (9) Cl.** ..... **30-99**

(52) **U.S. Cl.** ..... **D4/129; D30/158**

(58) **Field of Classification Search** ..... D4/127,  
D4/129, 130, 136; D28/63; D30/158; D32/52;  
15/186-188; 119/600, 612, 615, 625, 631-633,  
119/664; 601/134-137; D24/200, 211-215  
See application file for complete search history.

(56) **References Cited**

**U.S. PATENT DOCUMENTS**

34,109	A *	1/1862	Fanshaw et al.	15/188
205,374	A *	6/1878	Foss	15/188
375,114	A *	12/1887	Adams	119/631
560,468	A *	5/1896	Burke	119/631
626,529	A *	6/1899	Ducat	15/186
630,686	A *	8/1899	Grant et al.	119/631
840,328	A *	1/1907	Hickson	15/188
848,973	A *	4/1907	Crittendent	15/188
3,151,346	A *	10/1964	Gray	15/187
4,040,390	A *	8/1977	Rosenbaum	119/631

D284,121	S *	6/1986	Kelly	D30/158
D285,131	S *	8/1986	Wilkeson	D30/158
D547,953	S *	8/2007	Germany	D4/129

**OTHER PUBLICATIONS**

Jeffers Equine, Summer 2007, Jeffers © Rubber Curry Comb—Item IA-4G, p. 108; Jeffers © Rubber Curry Comb—Item IA-AI and Decker's Flexible Curry Comb—Item D5-B6, p. 111.\*

\* cited by examiner

*Primary Examiner*—Melanie H Tung

*Assistant Examiner*—Lavone D Tabor

(74) *Attorney, Agent, or Firm*—Marsh Fischmann & Breyfogle LLP

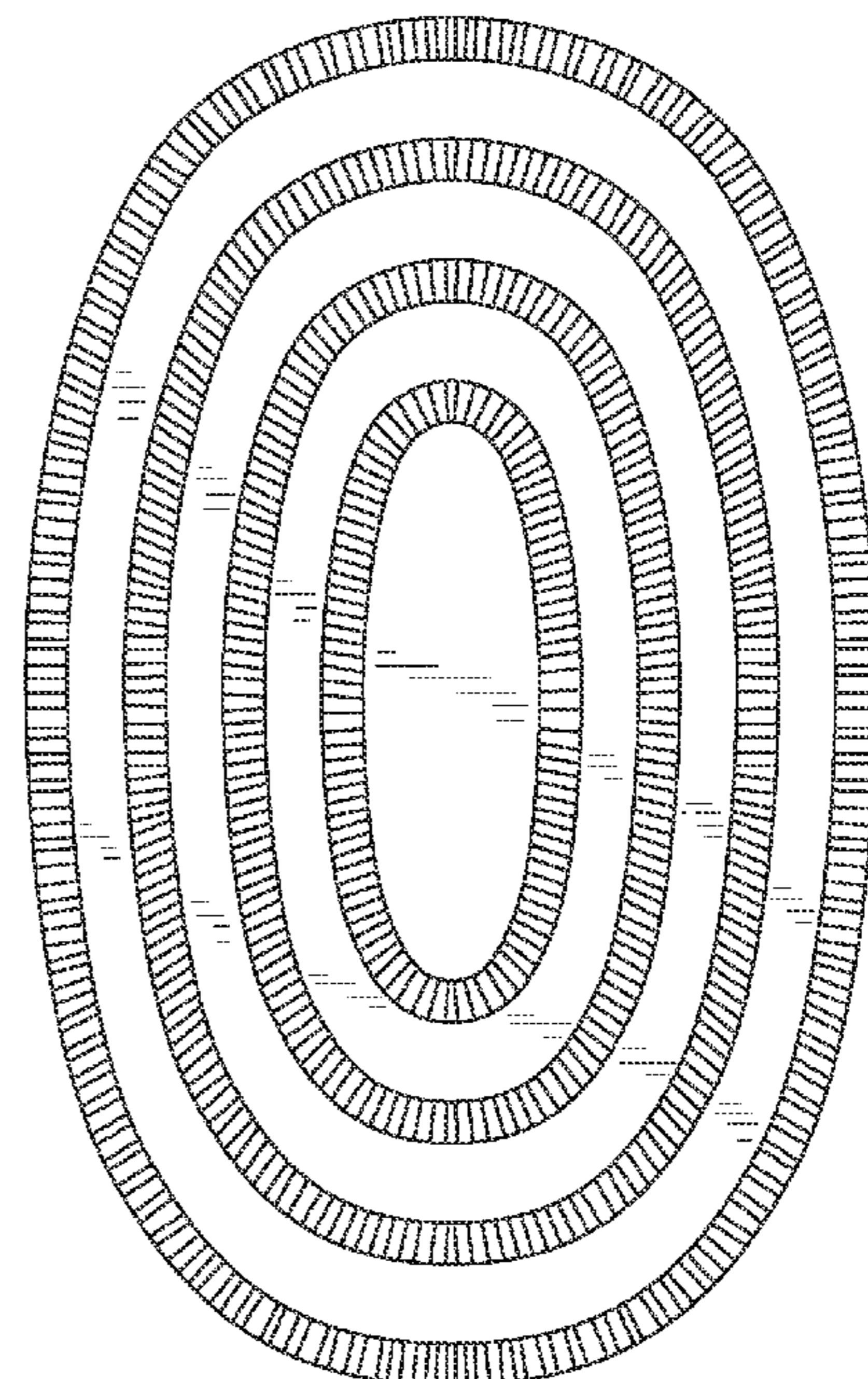
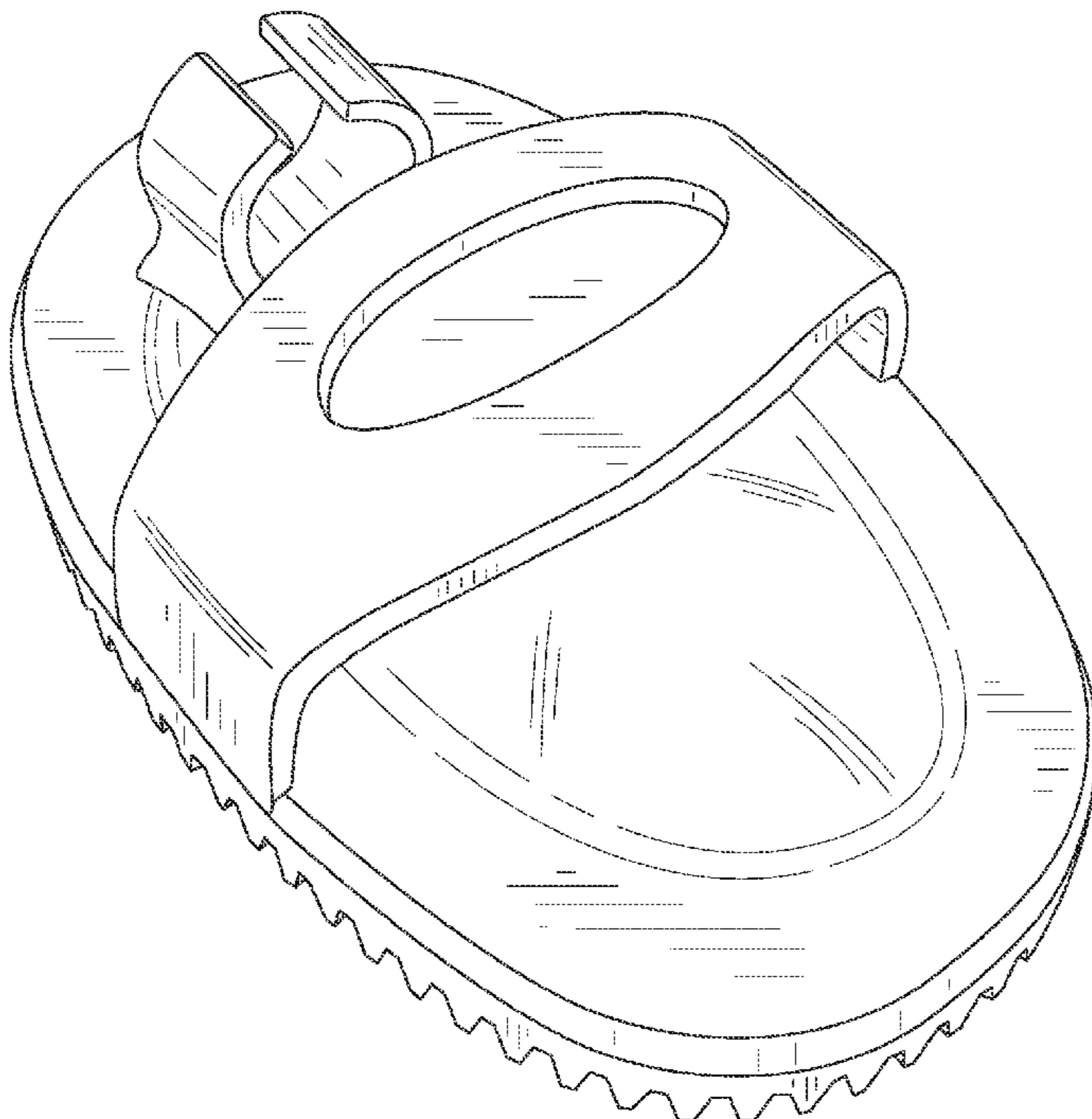
(57) **CLAIM**

The ornamental design for a palm curry brush, as shown and described.

**DESCRIPTION**

FIG. 1 is a perspective view of a palm curry brush;  
FIG. 2 is a rear view of the palm curry brush of FIG. 1;  
FIG. 3 is a front view of the palm curry brush of FIG. 1;  
FIG. 4 is a right side view of the palm curry brush of FIG. 1;  
FIG. 5 is a left side view of the palm curry brush of FIG. 1;  
FIG. 6 is a top view of the palm curry brush of FIG. 1; and,  
FIG. 7 is a bottom view of the palm curry brush of FIG. 1.

**1 Claim, 5 Drawing Sheets**



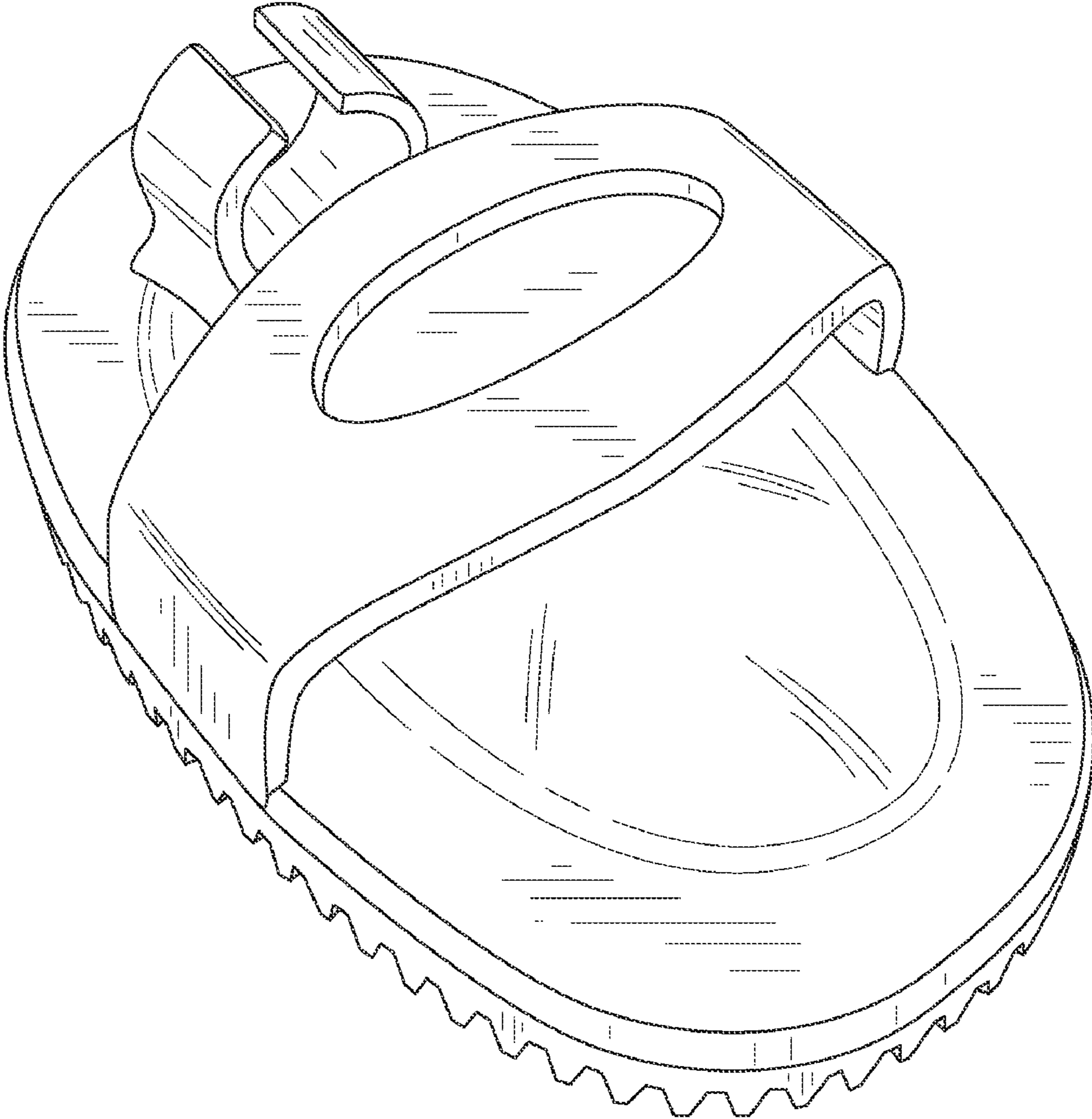


FIG. 1

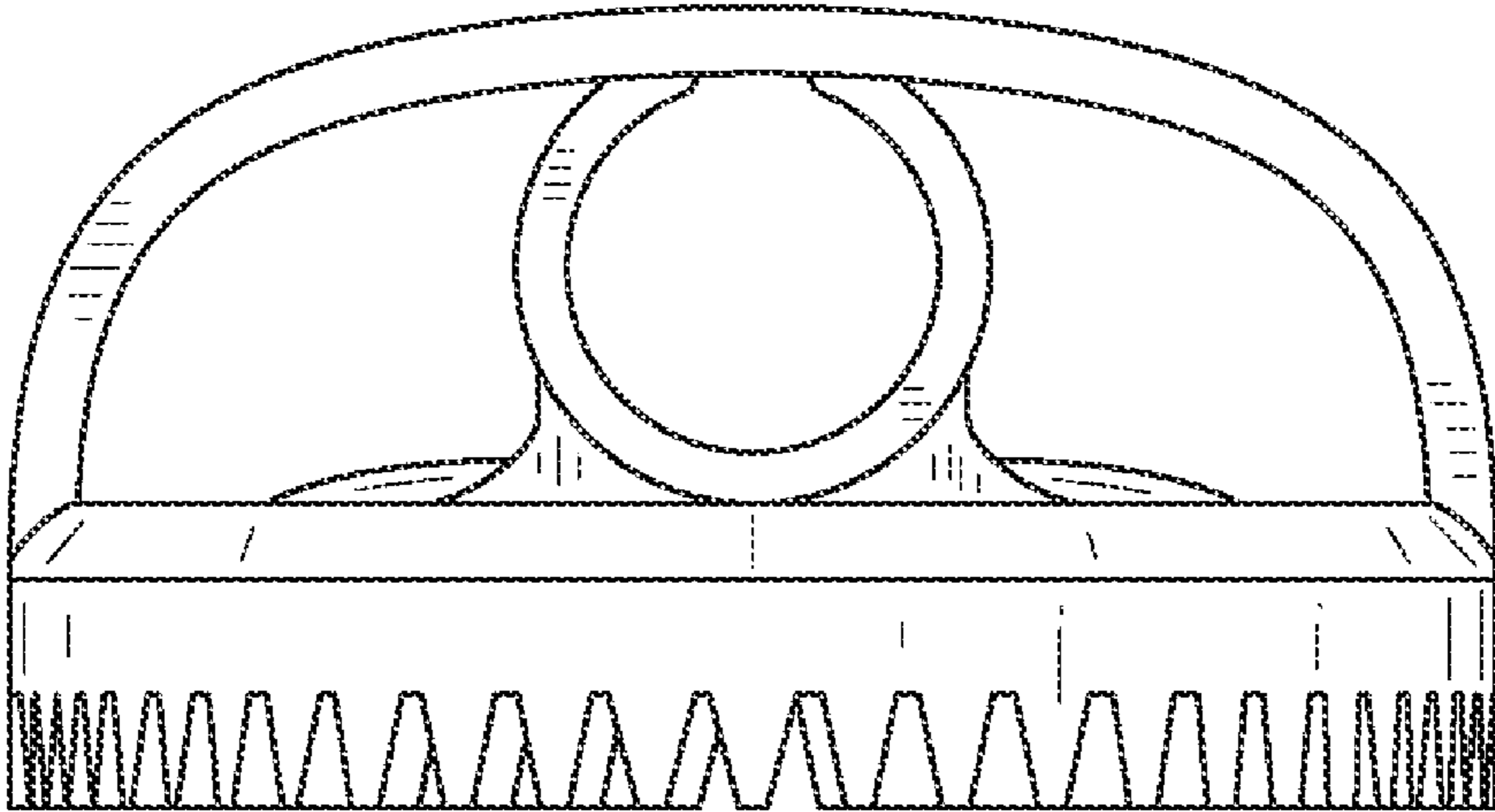


FIG. 2

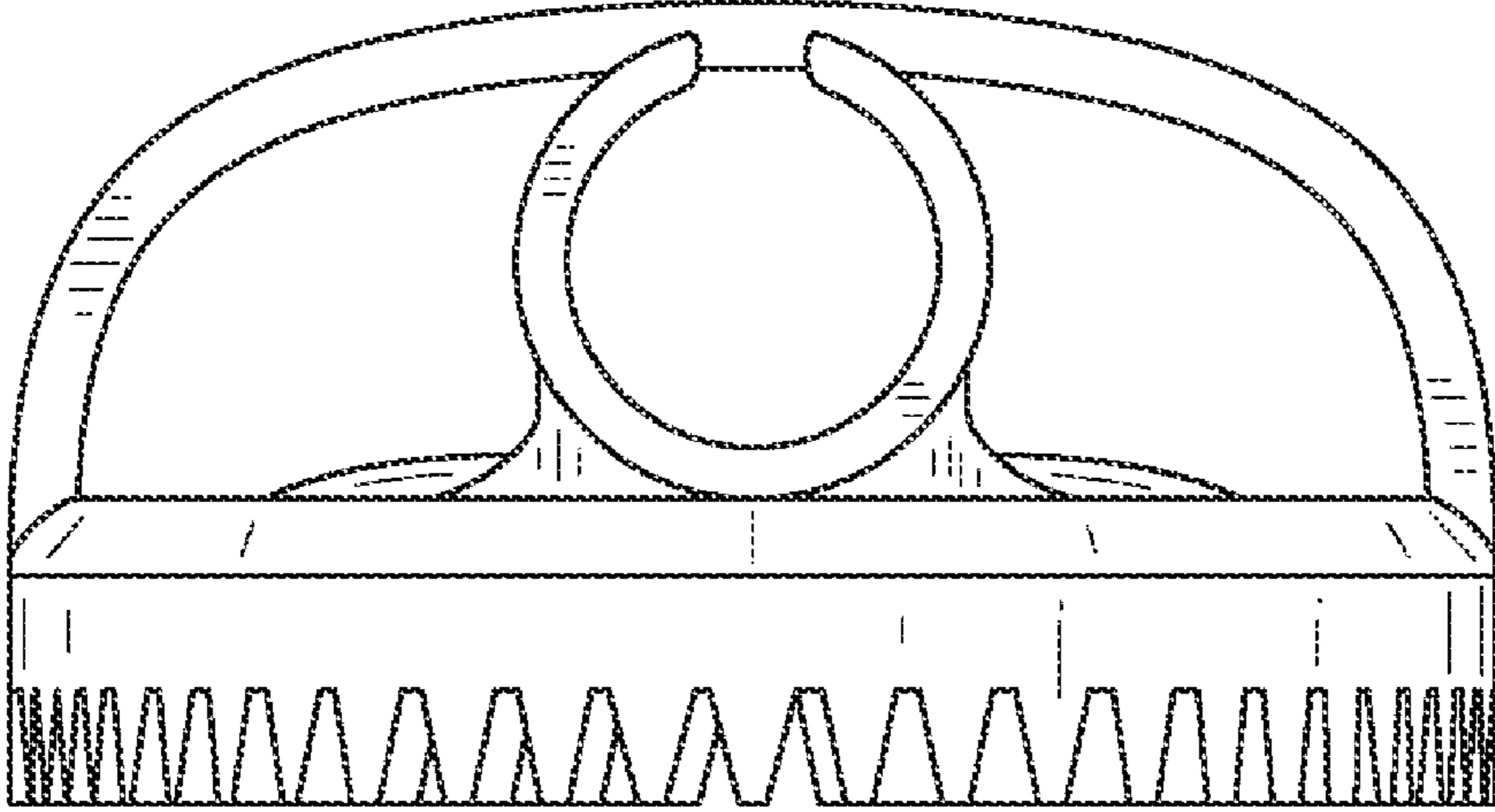


FIG. 3

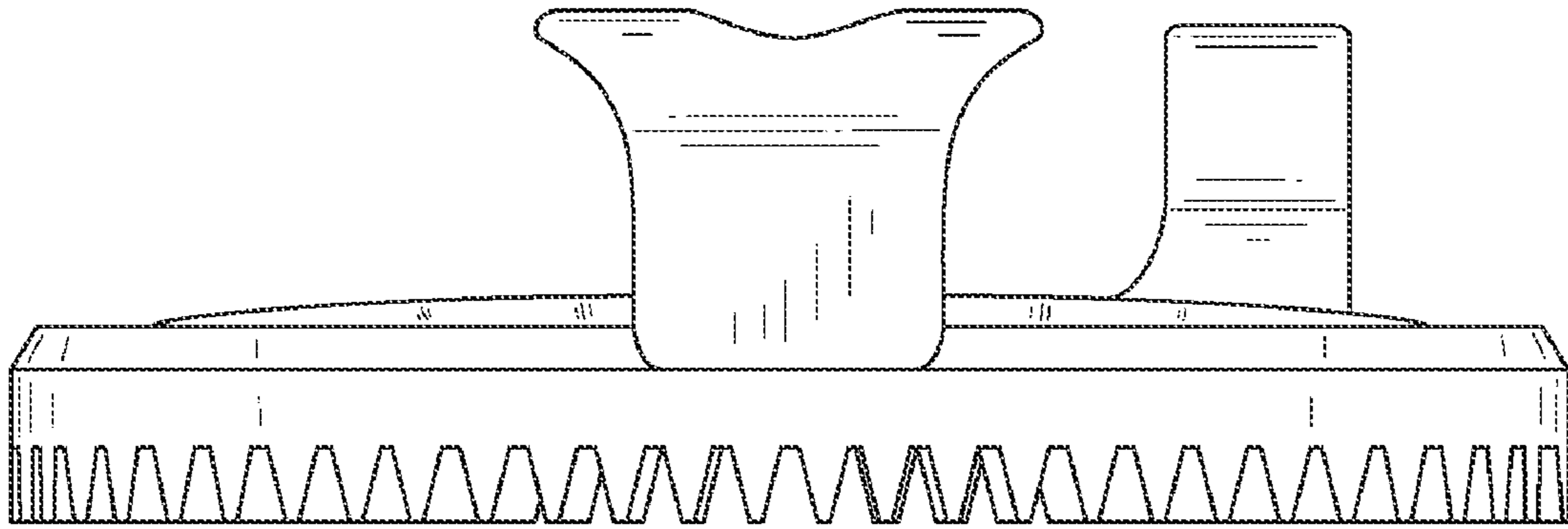


FIG. 4

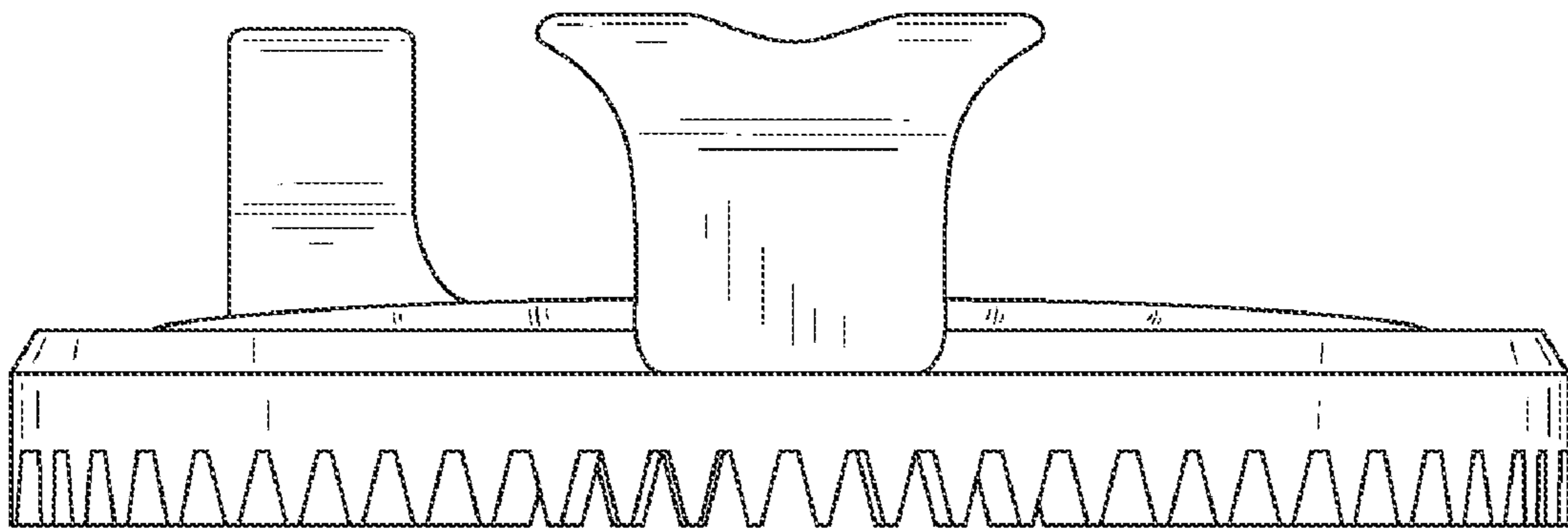


FIG. 5

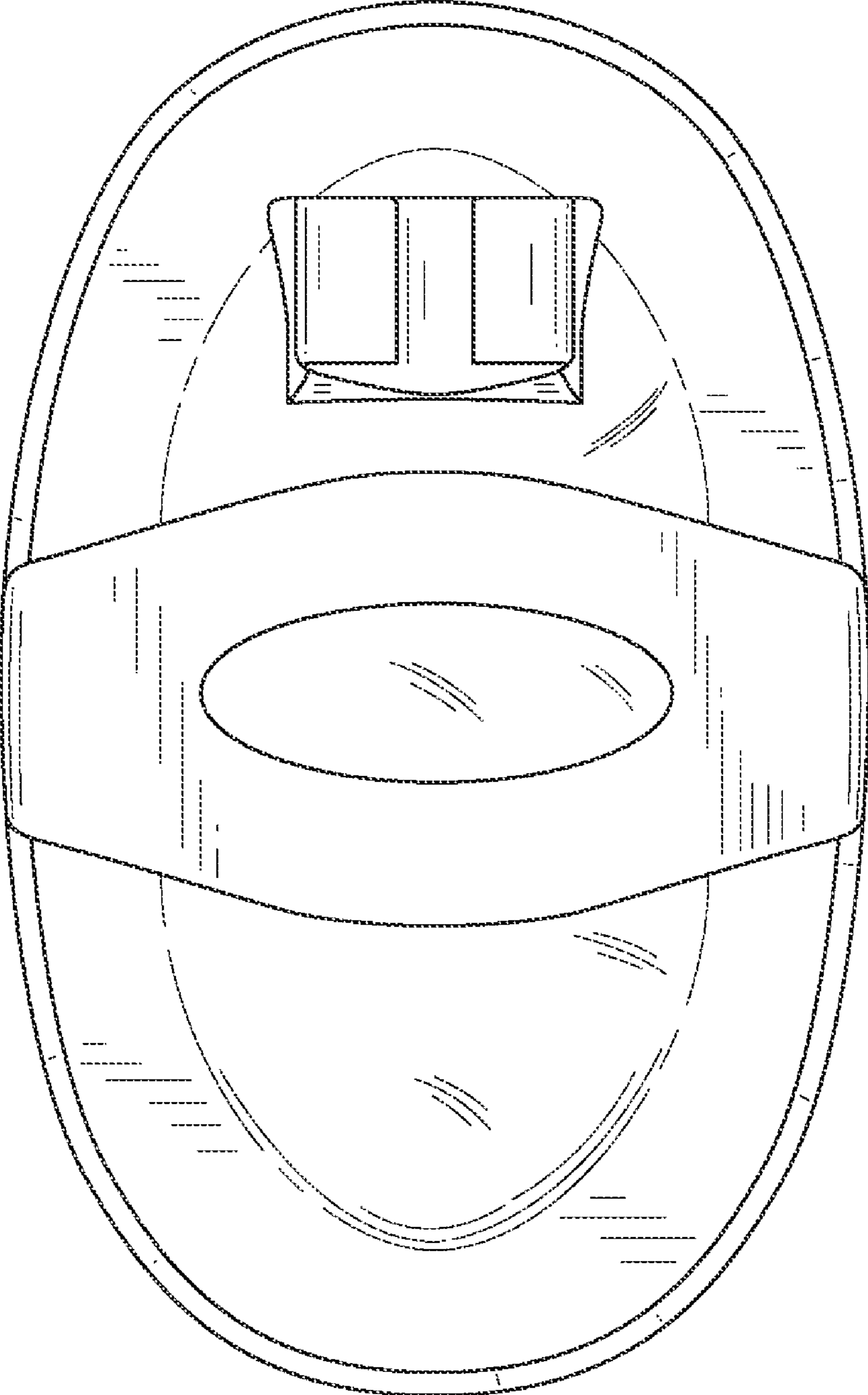


FIG. 6

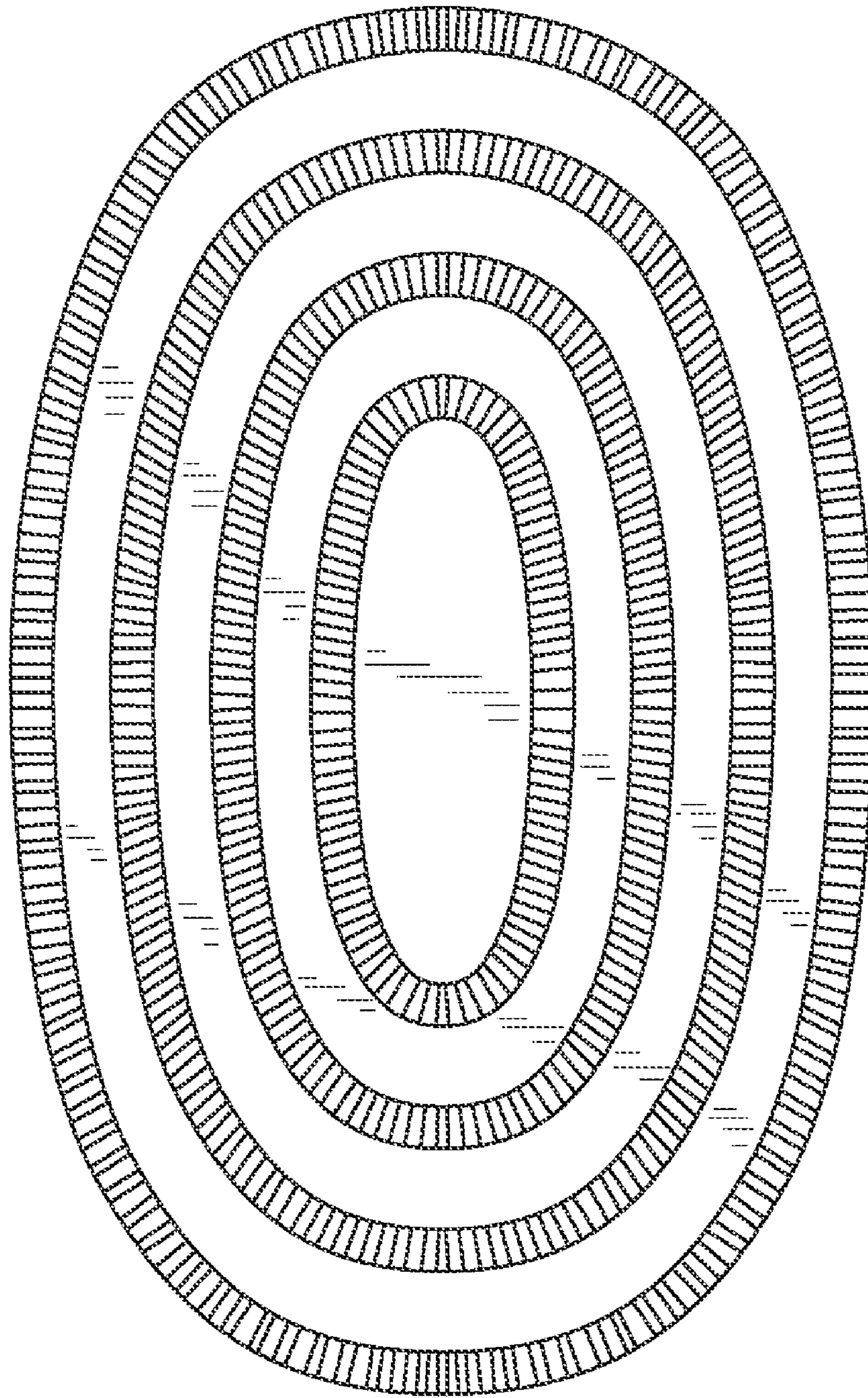


FIG. 7