



US00D632083S

(12) **United States Design Patent**
Vilain et al.

(10) **Patent No.:** **US D632,083 S**
(45) **Date of Patent:** **** Feb. 8, 2011**

(54) **FLAT HEAD FOR VIBRATING PAINTBRUSH**

FOREIGN PATENT DOCUMENTS

(75) Inventors: **Jean Vilain**, Trazegnies (BE);
Jean-François Questiaux, Trazegnies
(BE)

BE 1017078 2/2008

(Continued)

(73) Assignee: **Vilain Marcel et Fils**, Trazegnies (BE)

Primary Examiner—Melanie H Tung
Assistant Examiner—Lavone D Tabor

(**) Term: **14 Years**

(74) *Attorney, Agent, or Firm*—Rothwell, Figg, Ernst &
Manbeck, P.C.

(21) Appl. No.: **29/330,221**

(22) Filed: **Dec. 31, 2008**

(57) **CLAIM**

(30) **Foreign Application Priority Data**

The ornamental design for a flat head for vibrating paint-
brush, as shown and described.

Aug. 29, 2008 (EP) DM/070 632

(51) **LOC (9) Cl.** **04-02**

(52) **U.S. Cl.** **D4/100; D4/135**

(58) **Field of Classification Search** D4/100,
D4/102, 114, 135; 15/21.1, 22.1, 23, 24,
15/28, 29, 191.1, 192, 193, 194, 166, 168,
15/171, 175, 176.1

See application file for complete search history.

DESCRIPTION

(56) **References Cited**

U.S. PATENT DOCUMENTS

2,466,257	A *	4/1949	Moore	15/22.1
2,682,067	A *	6/1954	Coleman	15/29
3,090,070	A *	5/1963	Simons	401/285
3,906,573	A	9/1975	Crawford		
4,250,586	A	2/1981	Timian		
4,471,507	A	9/1984	Schwartz		
5,646,650	A *	7/1997	Miller et al.	345/179
6,161,978	A *	12/2000	Dovellos	401/288
6,449,792	B1	9/2002	Myers		
D594,233	S *	6/2009	Cook	D4/114
2004/0205914	A1	10/2004	Holden et al.		
2005/0198759	A1	9/2005	Segrea		

FIG. 1 is a top left rear perspective view of a flat head for vibrating paintbrush showing our new design with unclaimed environmental structure;

FIG. 2 is an enlarged top left front perspective view of the flat head for vibrating paintbrush showing our new design;

FIG. 3 is a top plan view of the head as shown in FIG. 2;

FIG. 4 is a bottom plan view of the head as shown in FIG. 2;

FIG. 5 is a left side elevational view of the head as shown in FIG. 2;

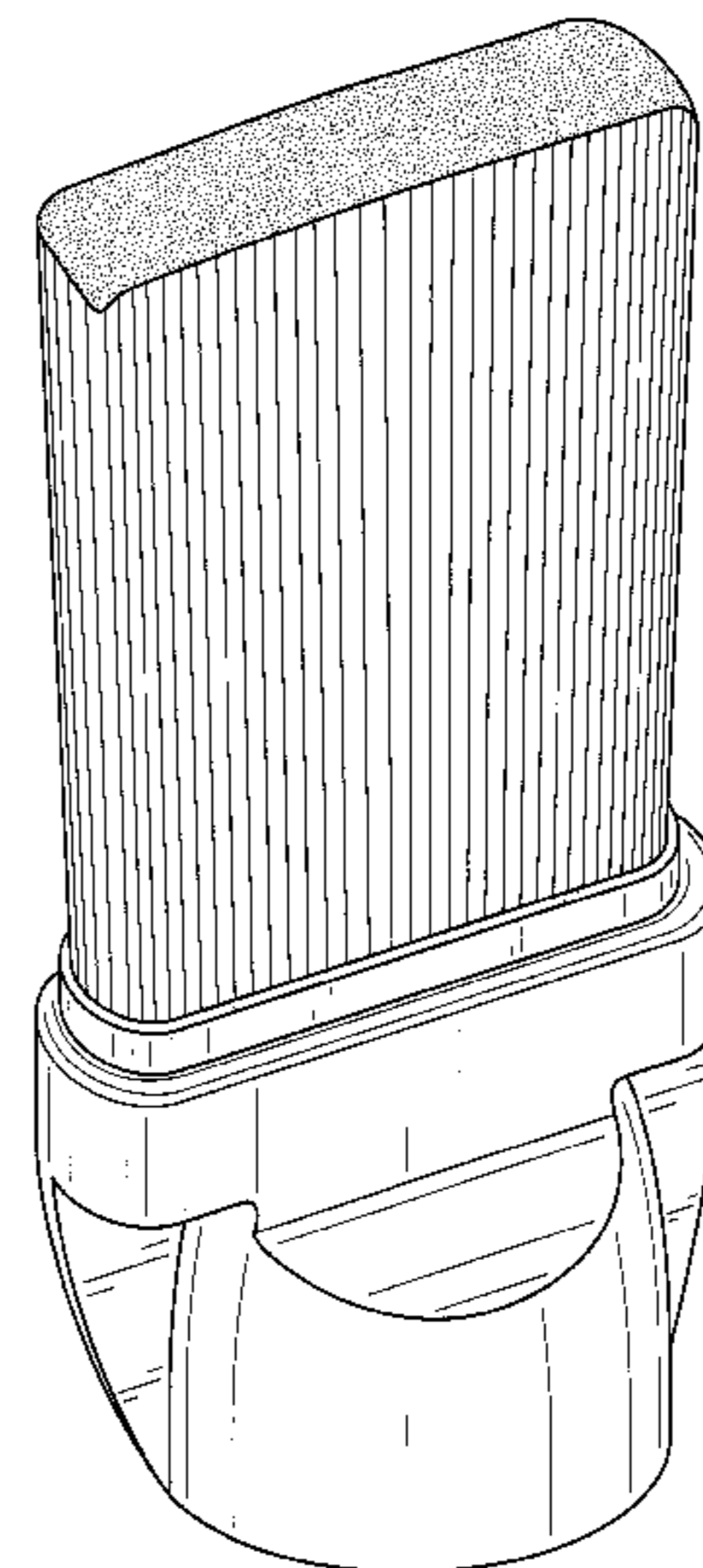
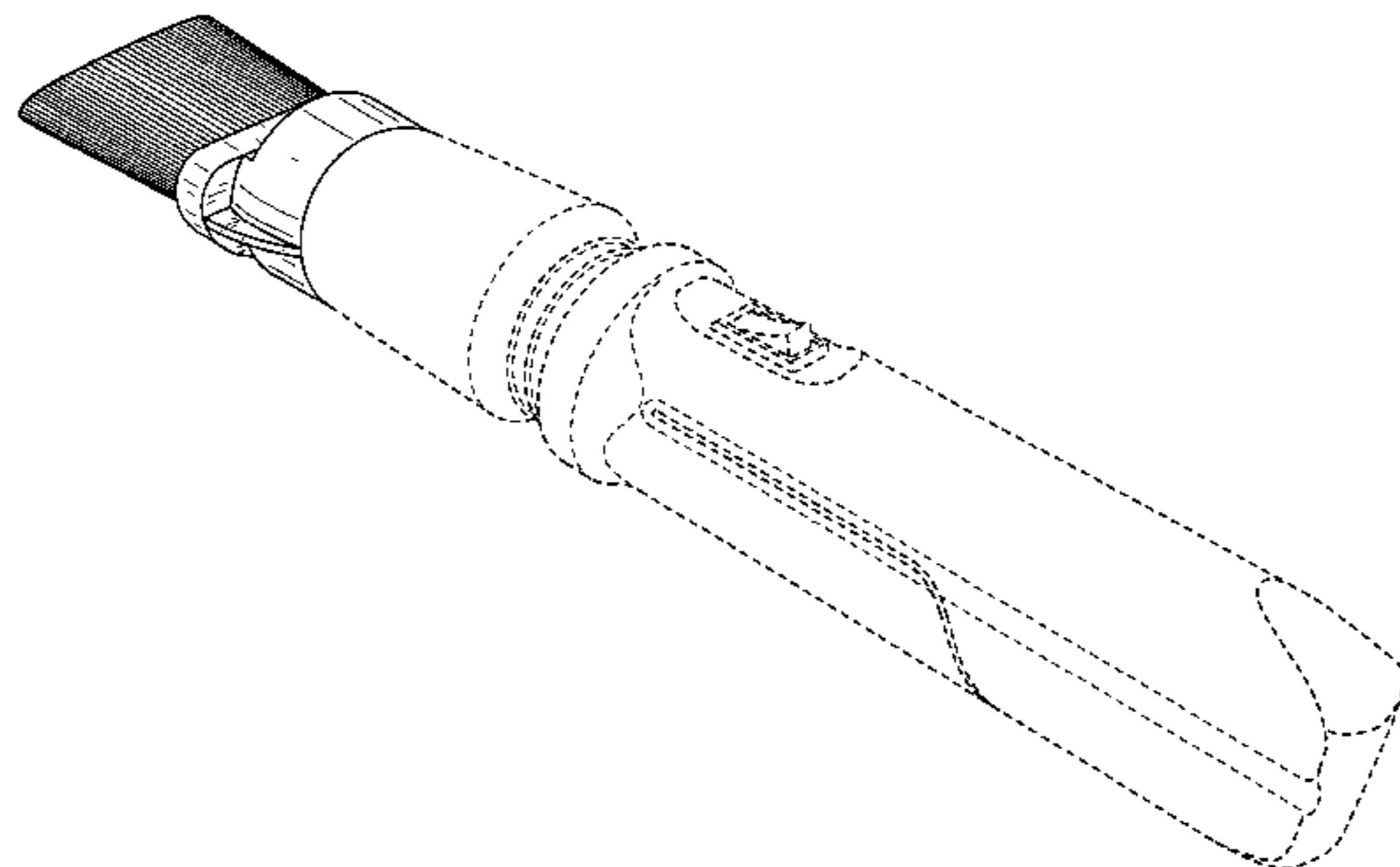
FIG. 6 is a right side elevational view of the head as shown in FIG. 2; and,

FIG. 7 is a front elevational view of the head as shown in FIG. 2.

The broken lines showing a handle in FIG. 1 are for illustrating the environment for the flat head for vibrating paintbrush and form no part of the claimed design. The shading lines shown in the drawings represent the three dimensional contour of the design and are not intended to indicate surface decoration.

(Continued)

1 Claim, 7 Drawing Sheets



US D632,083 S

Page 2

U.S. PATENT DOCUMENTS			FR	2382870	6/1978
2006/0265821 A1 11/2006 Hause			FR	2887752	1/2007
			GB	648190	1/1951
FOREIGN PATENT DOCUMENTS			JP	2001070048	3/2001
DE	19705208	9/1998	WO	94/16909	8/1994
DE	10240183	3/2004	WO	00/33698	6/2000

* cited by examiner

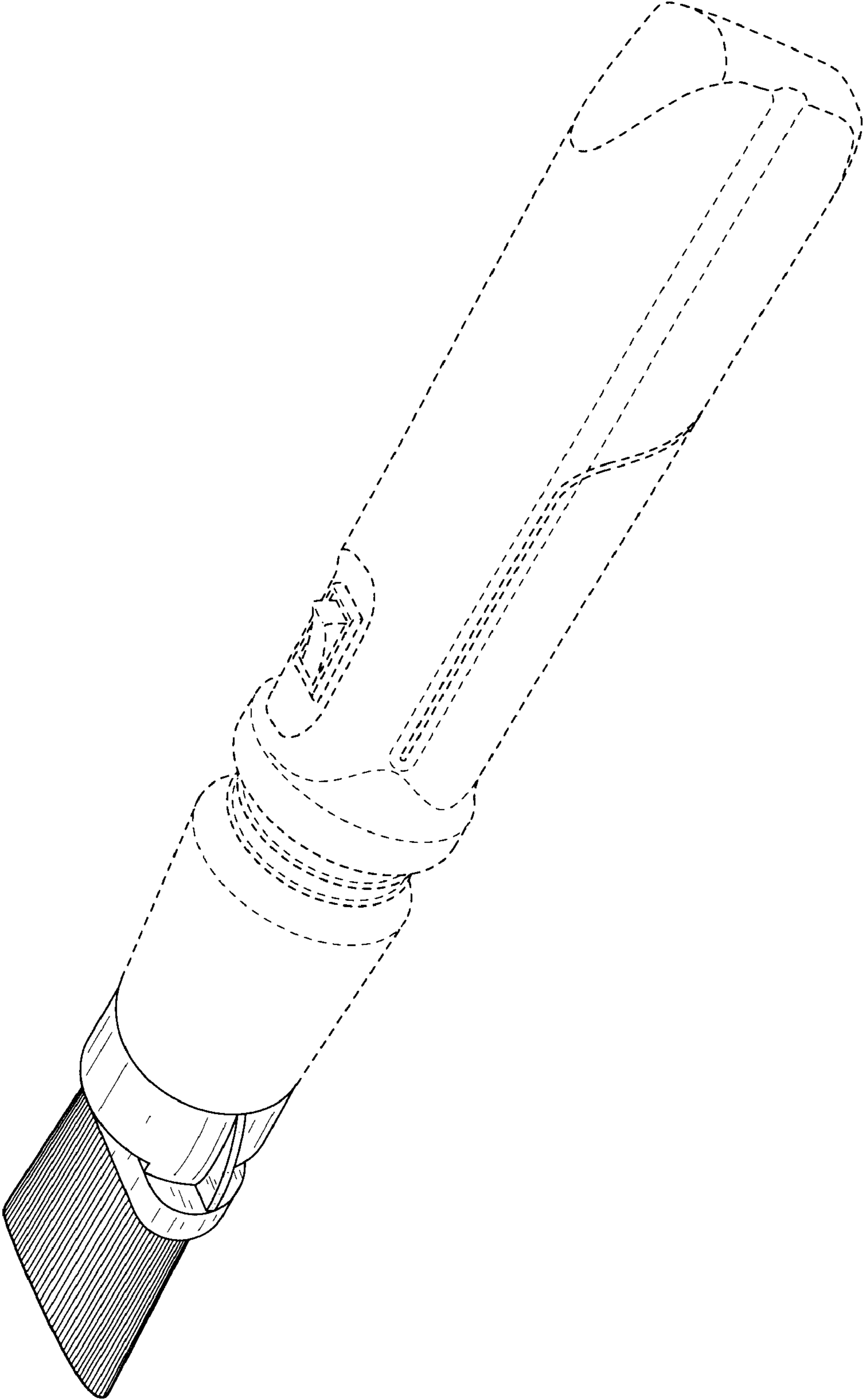


FIG. 1

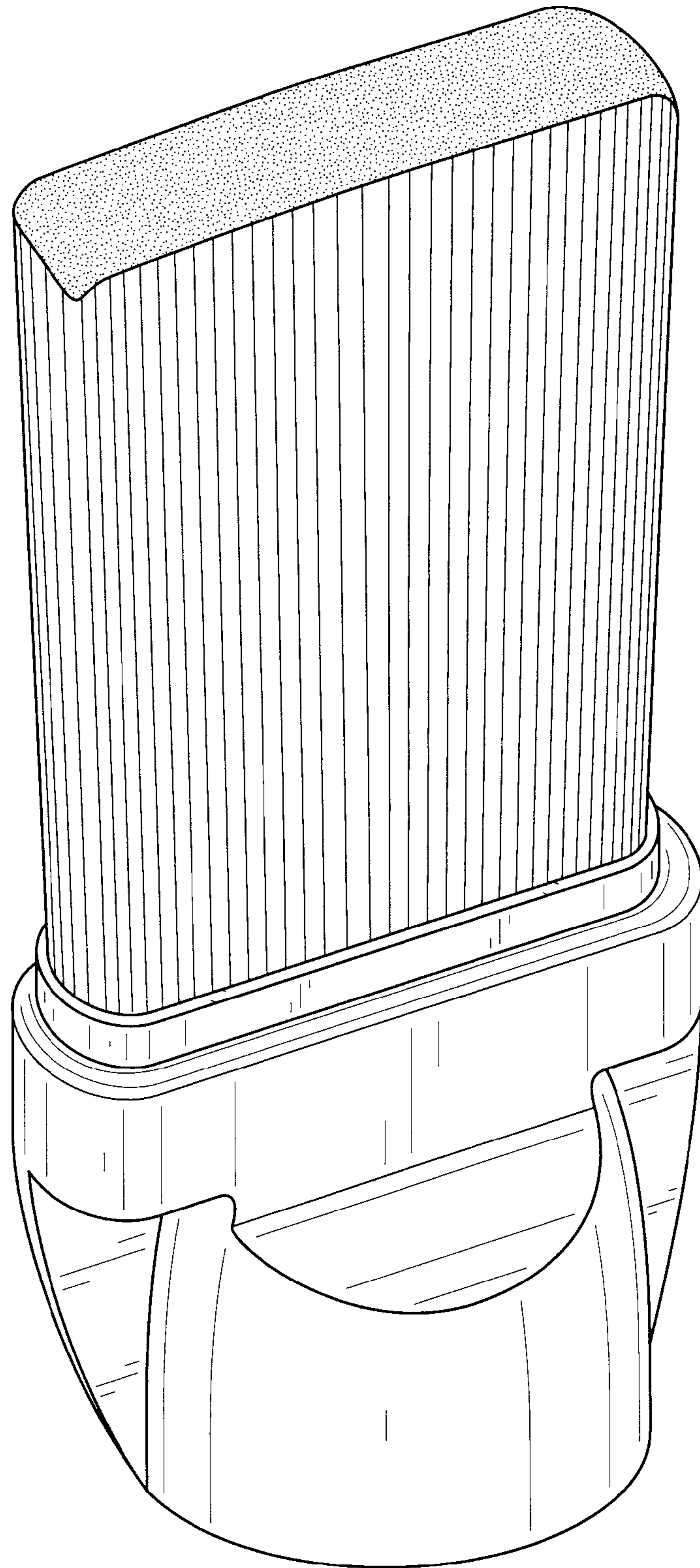


FIG. 2

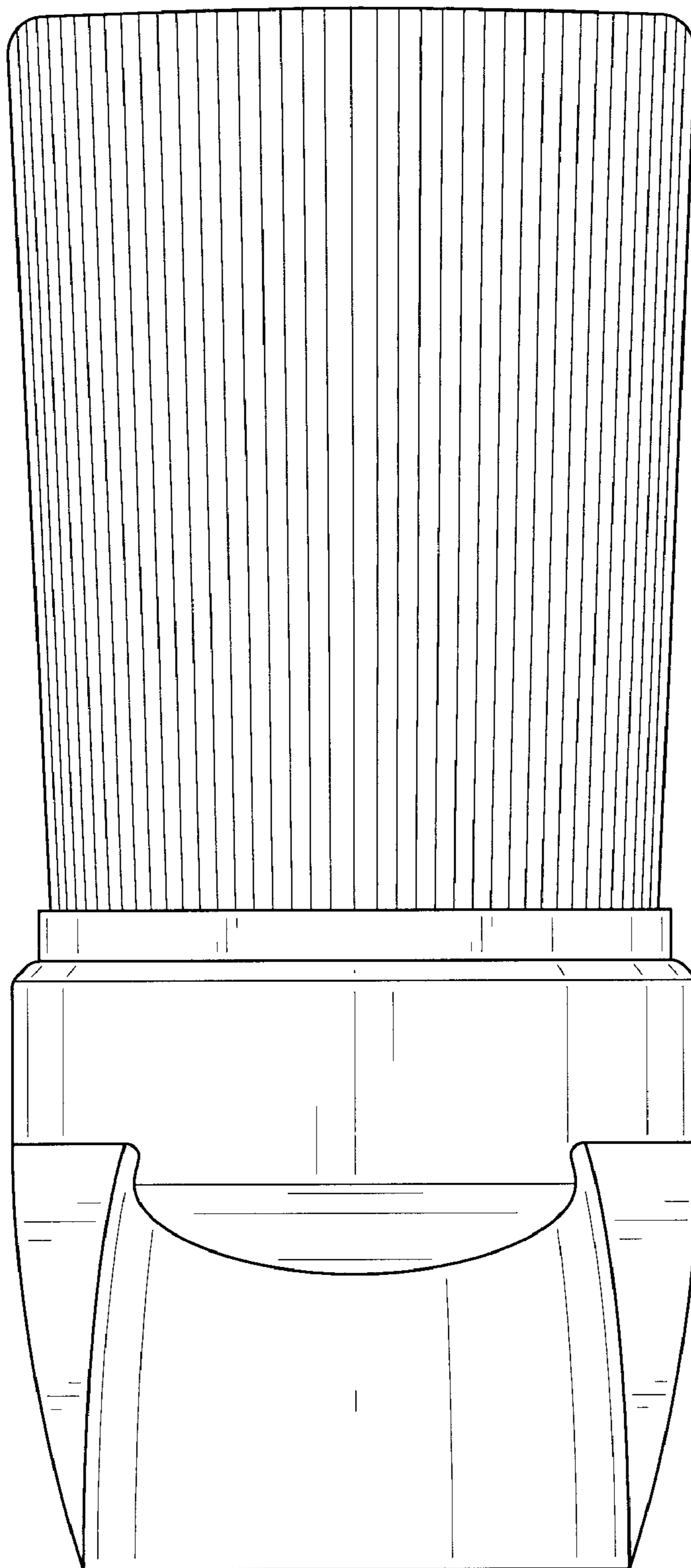


FIG. 3

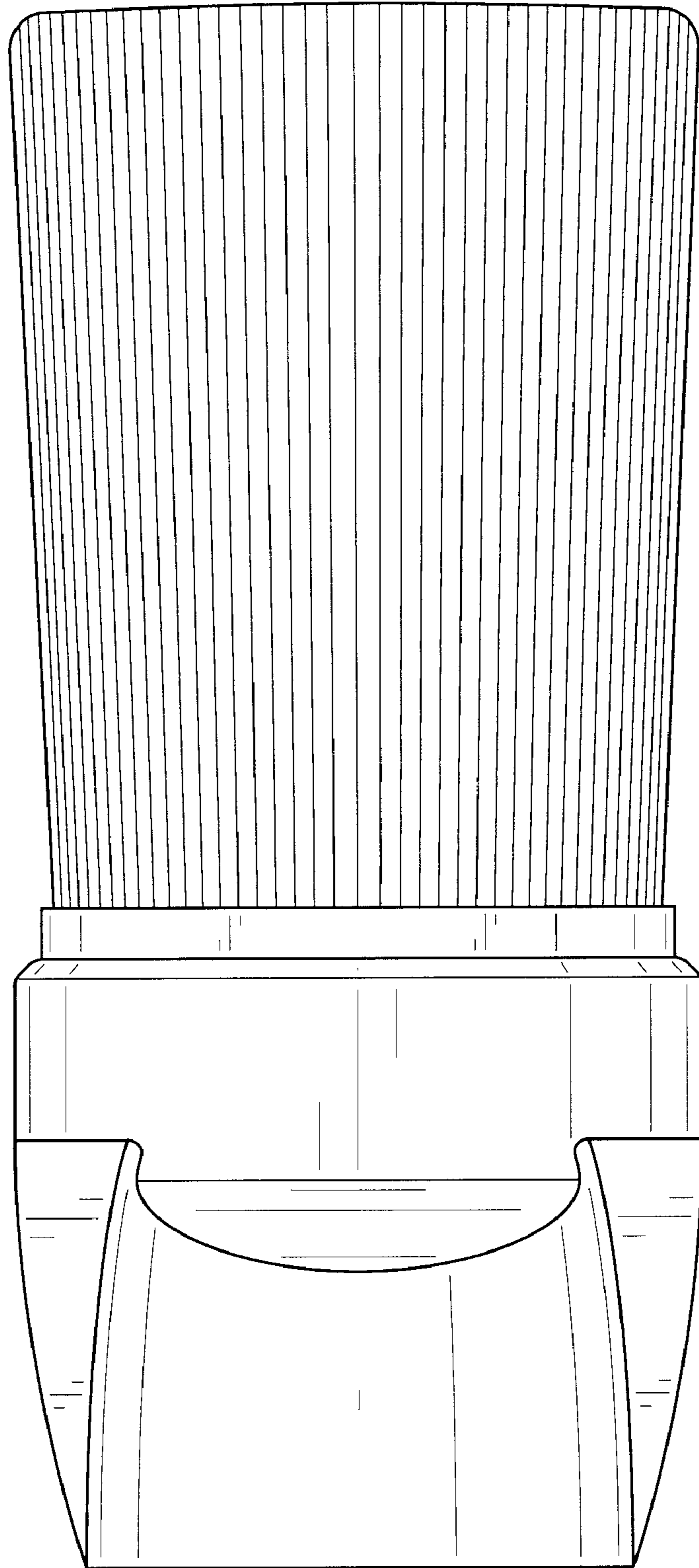


FIG. 4

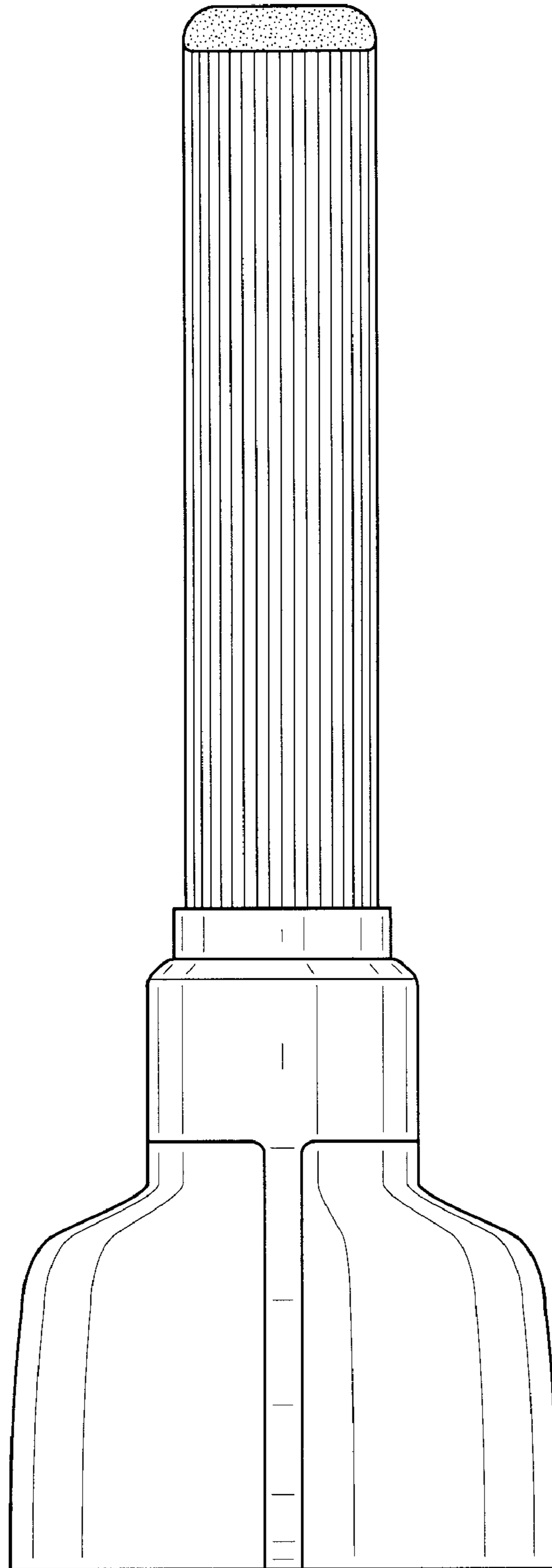


FIG. 5

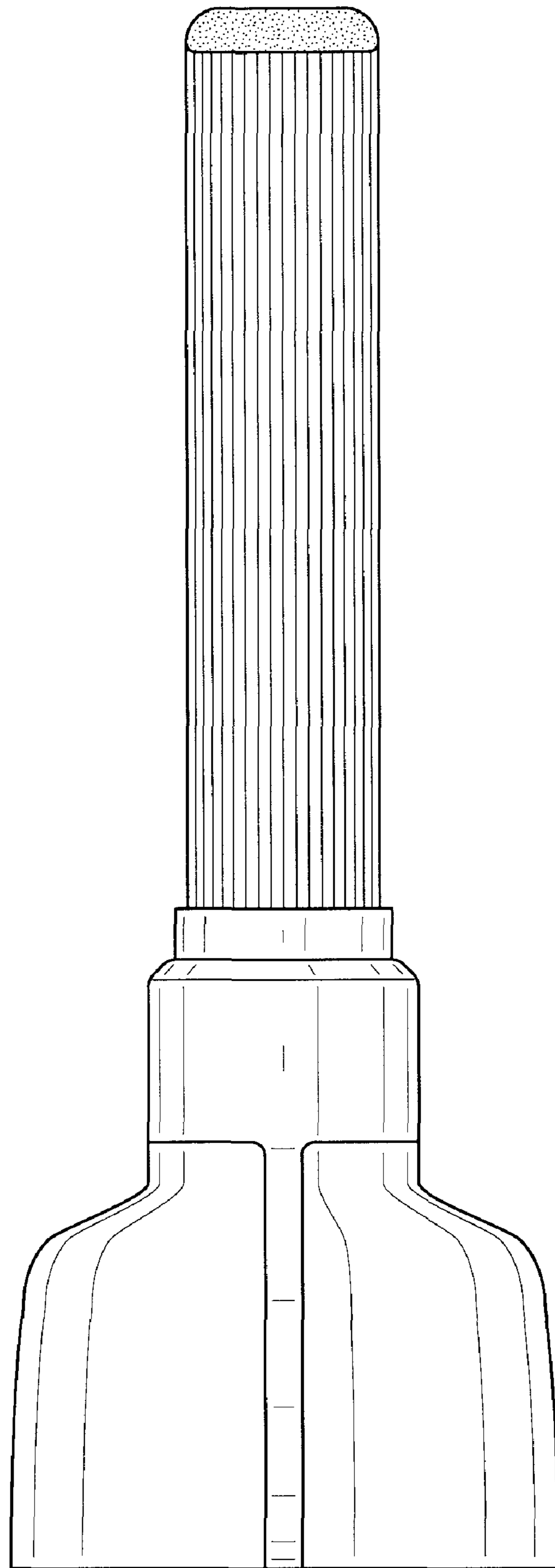


FIG. 6

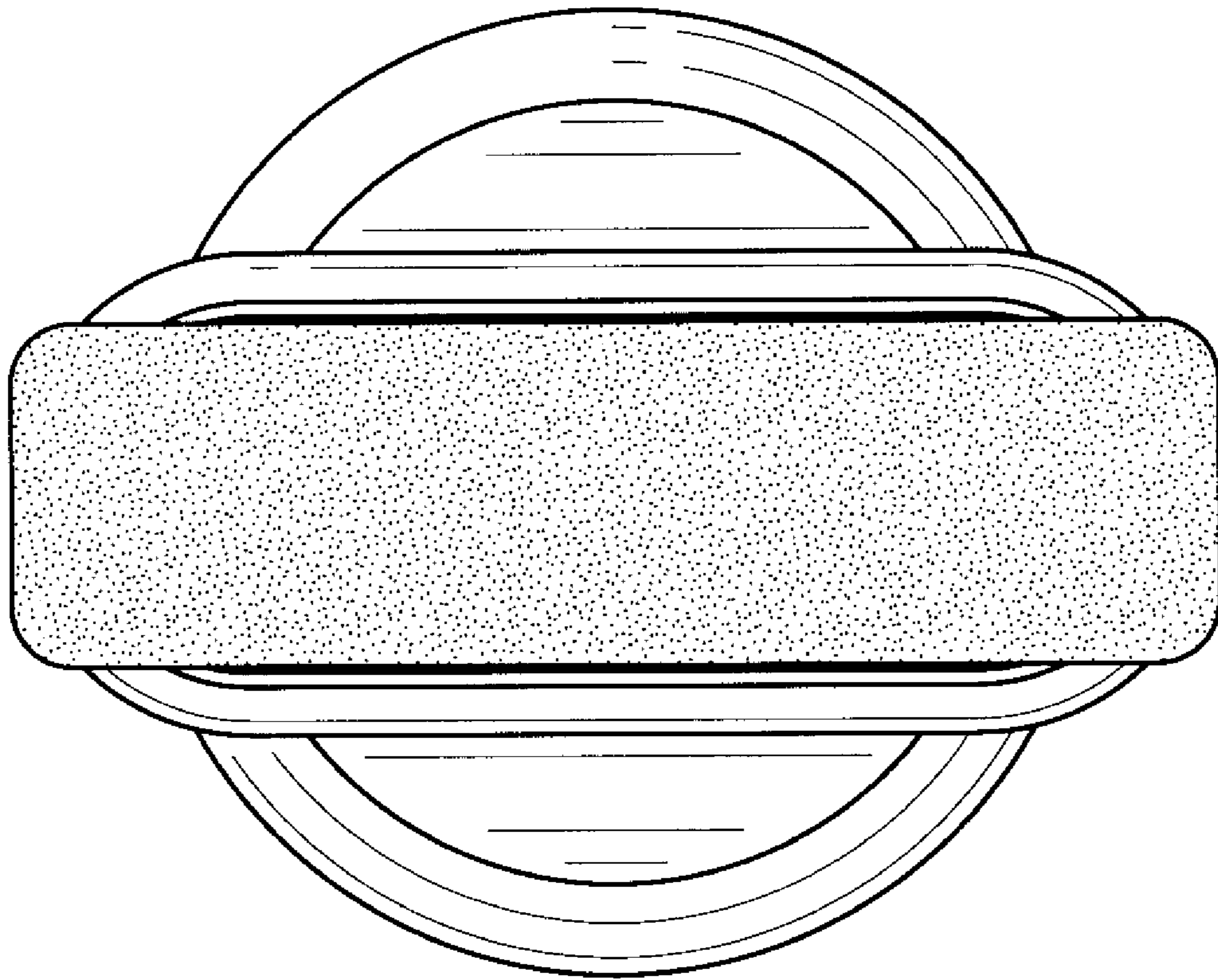


FIG. 7