



US00D632082S

(12) **United States Design Patent**
Chuang

(10) **Patent No.:** **US D632,082 S**

(45) **Date of Patent:** **** Feb. 8, 2011**

(54) **CORNER ORGANIZER**

(75) Inventor: **Chih-Wei Chuang**, Edison, NJ (US)

(73) Assignee: **Officemate International Corp.**,
Edison, NJ (US)

(**) Term: **14 Years**

(21) Appl. No.: **29/349,199**

(22) Filed: **Mar. 16, 2010**

(51) **LOC (9) Cl.** **03-01**

(52) **U.S. Cl.** **D3/313**

(58) **Field of Classification Search** D3/304,
D3/313, 315; 211/71, 86-88, 126.1; D6/513,
D6/525, 562, 567, 573; 248/311.2
See application file for complete search history.

(56) **References Cited**

U.S. PATENT DOCUMENTS

D280,582 S *	9/1985	DelGarbino et al.	D6/562
D322,356 S *	12/1991	Harshaw et al.	D3/313
D407,934 S *	4/1999	Wojtowicz et al.	D6/562
D417,107 S *	11/1999	Patel et al.	D6/511
D426,921 S *	6/2000	Renfrew	D28/73
D451,743 S *	12/2001	Henderson et al.	D6/562

D453,268 S *	2/2002	Snell	D3/304
D479,439 S *	9/2003	Joss et al.	D7/553.4
D508,634 S *	8/2005	Chambers et al.	D7/553.8

* cited by examiner

Primary Examiner—Elizabeth A Albert

Assistant Examiner—Kelley A Donnelly

(74) *Attorney, Agent, or Firm*—Daniel Kirshner

(57) **CLAIM**

The ornamental design for a corner organizer, as shown and described.

DESCRIPTION

FIG. 1 is a front perspective view of a corner organizer showing the new design;

FIG. 2 is a front perspective view thereof;

FIG. 3 is a top view thereof;

FIG. 4 is a bottom view thereof;

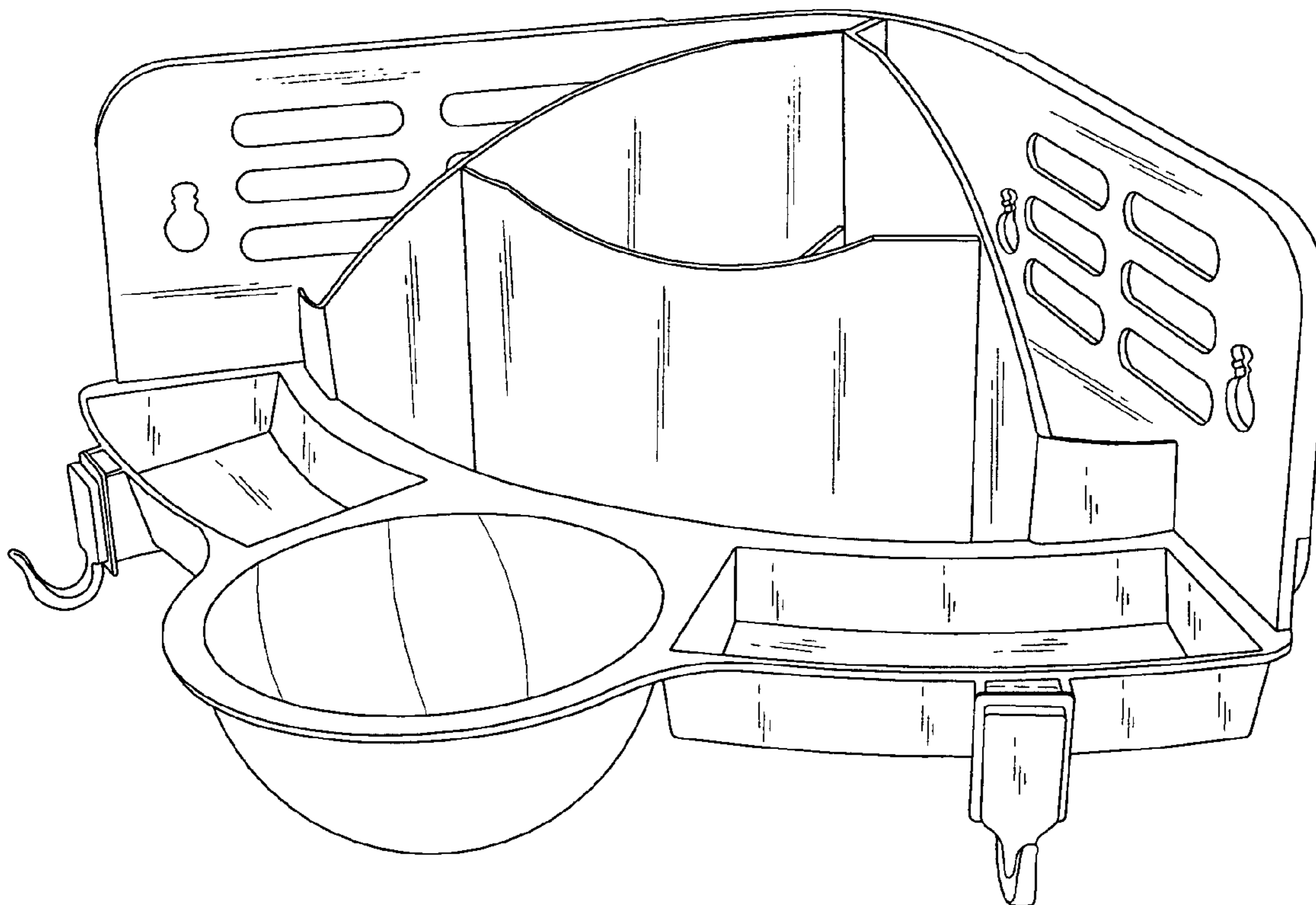
FIG. 5 is a front view thereof;

FIG. 6 is a back view thereof;

FIG. 7 is a left side view thereof; and,

FIG. 8 is a right side view thereof.

1 Claim, 8 Drawing Sheets



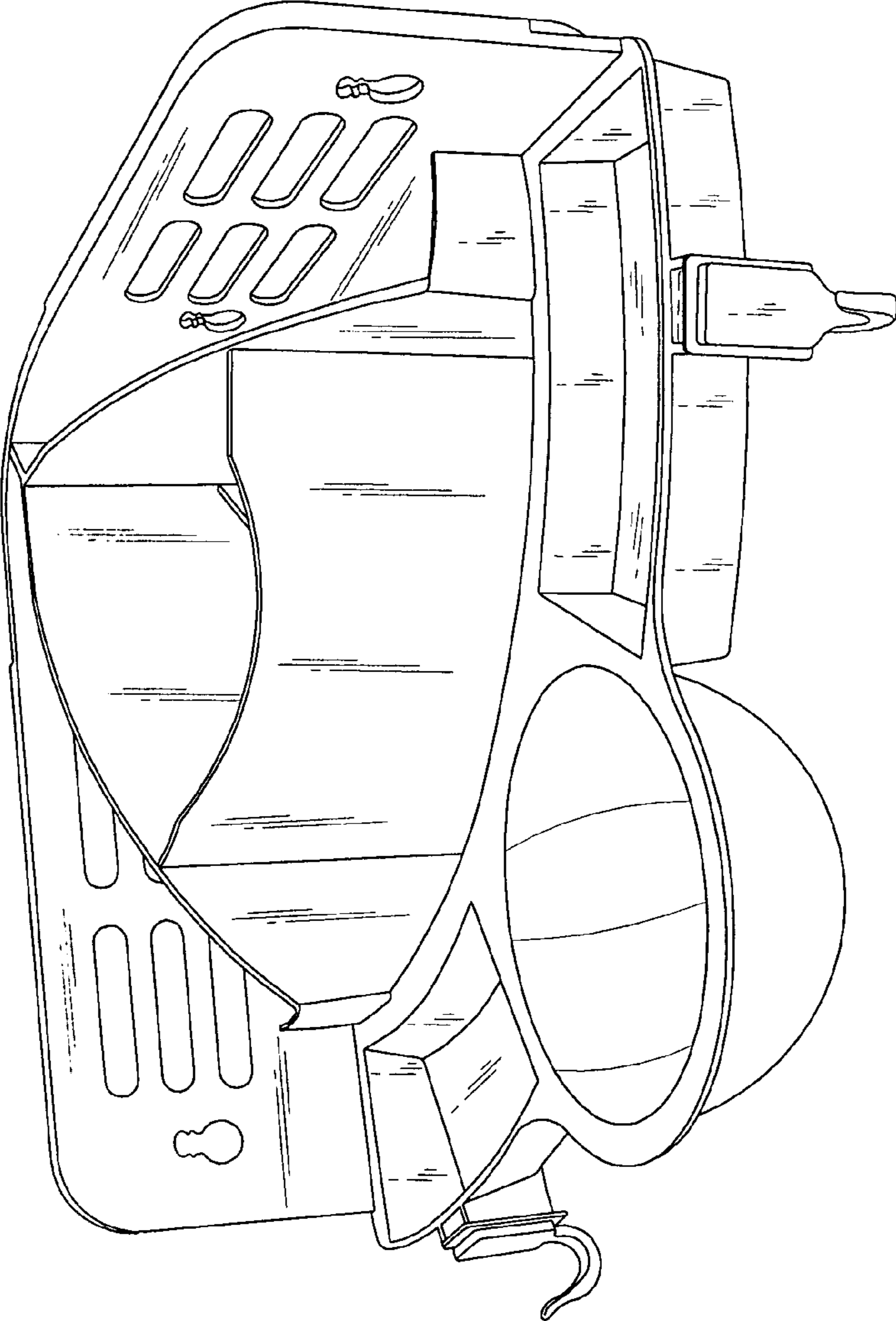


FIG. 1

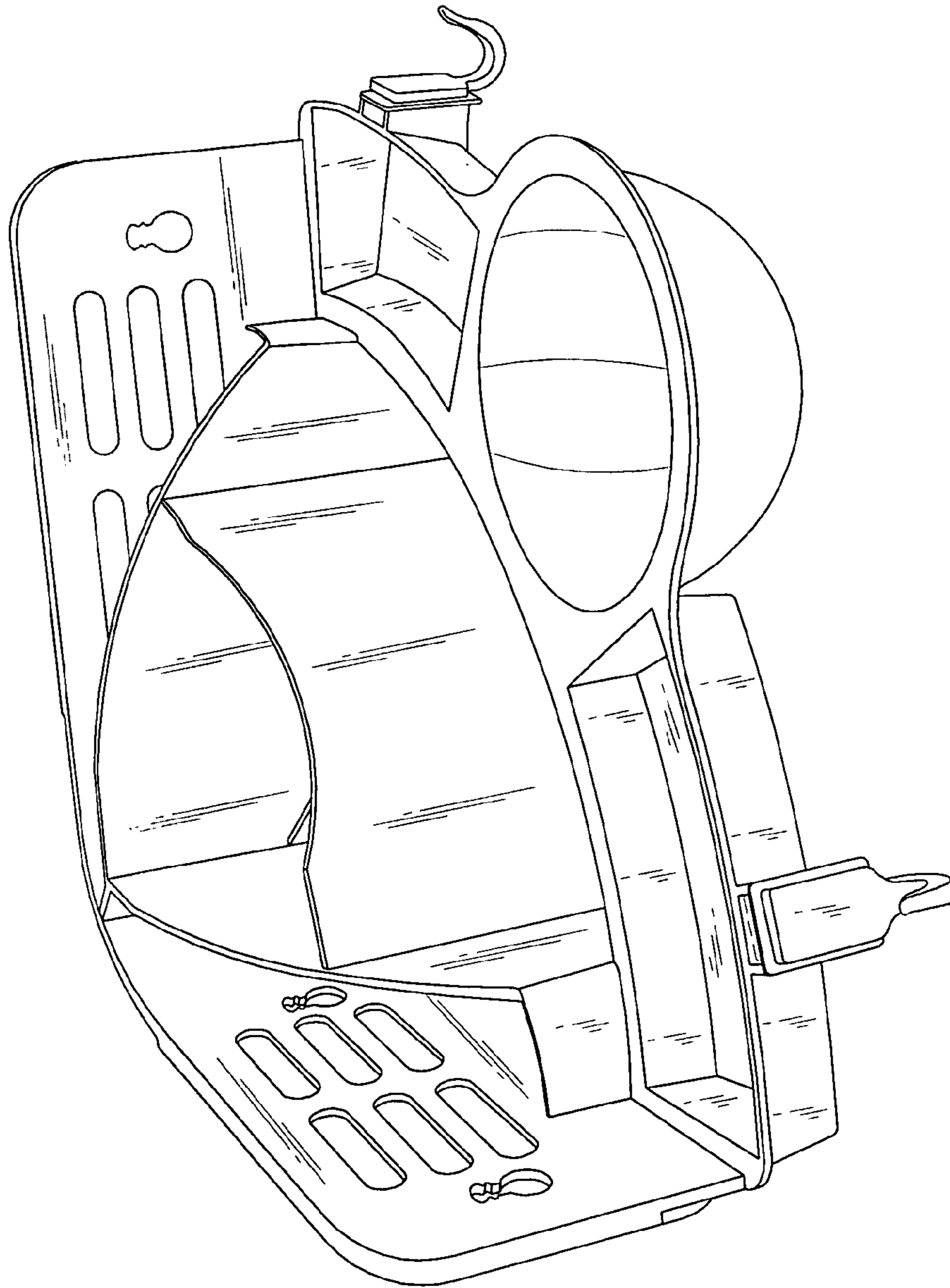


FIG. 2

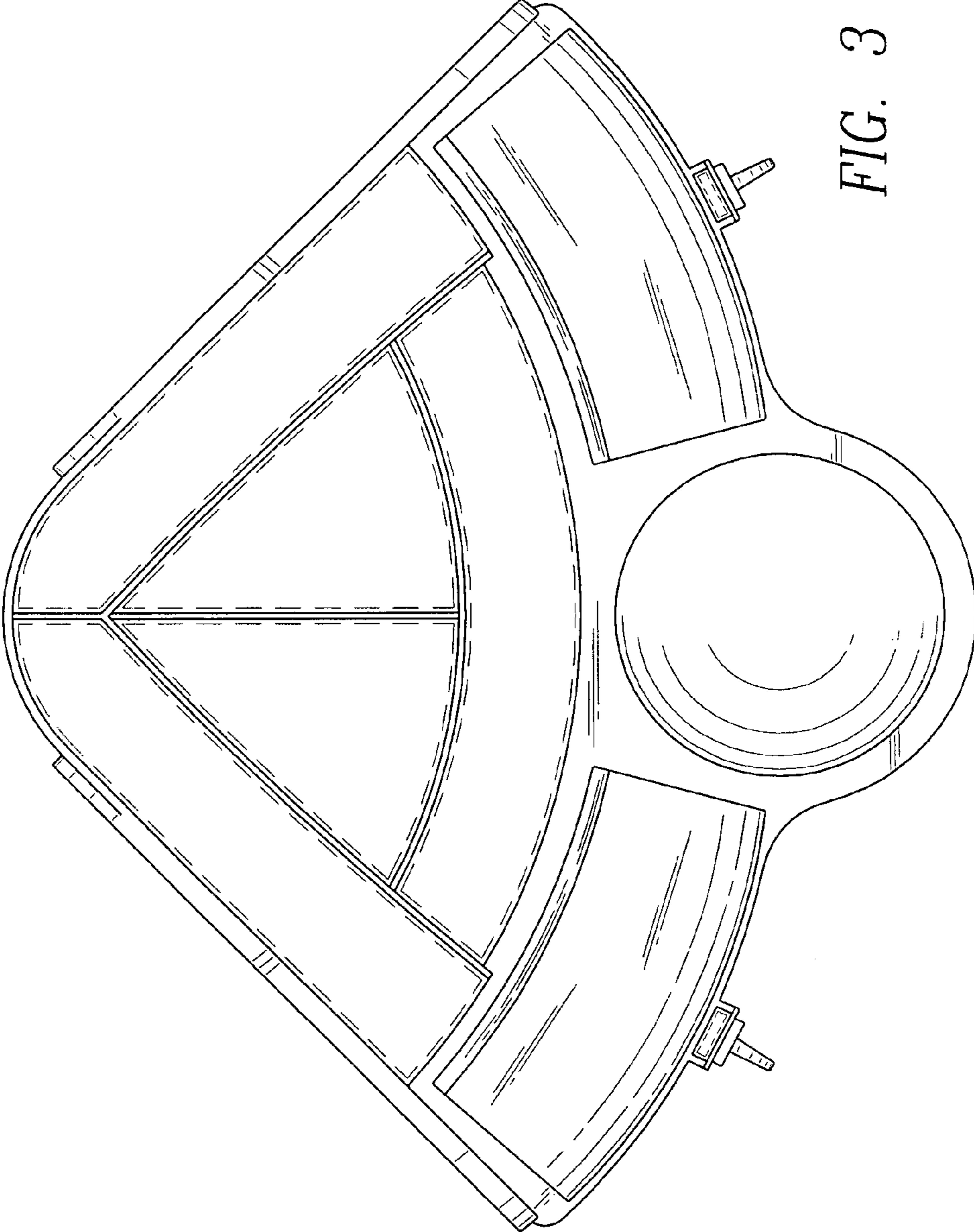


FIG. 3

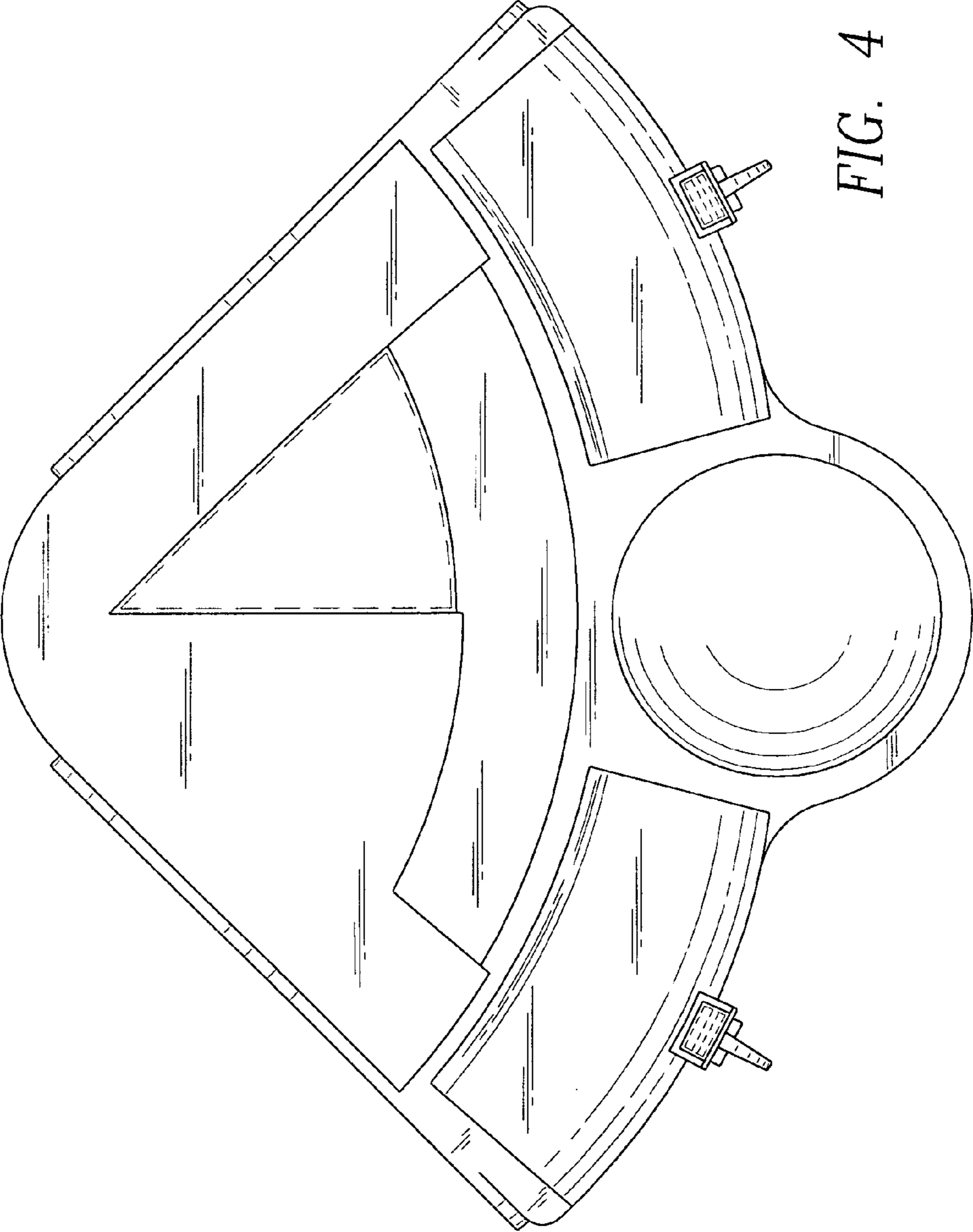


FIG. 4

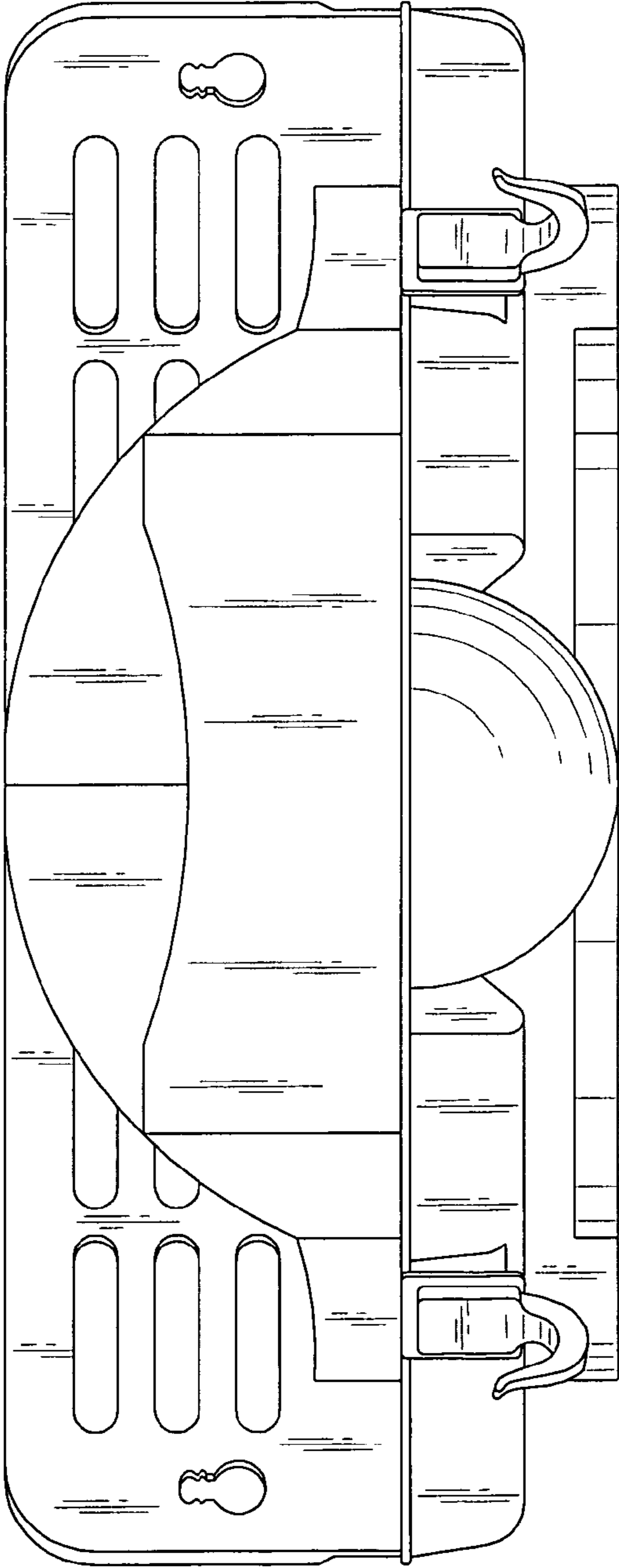


FIG. 5

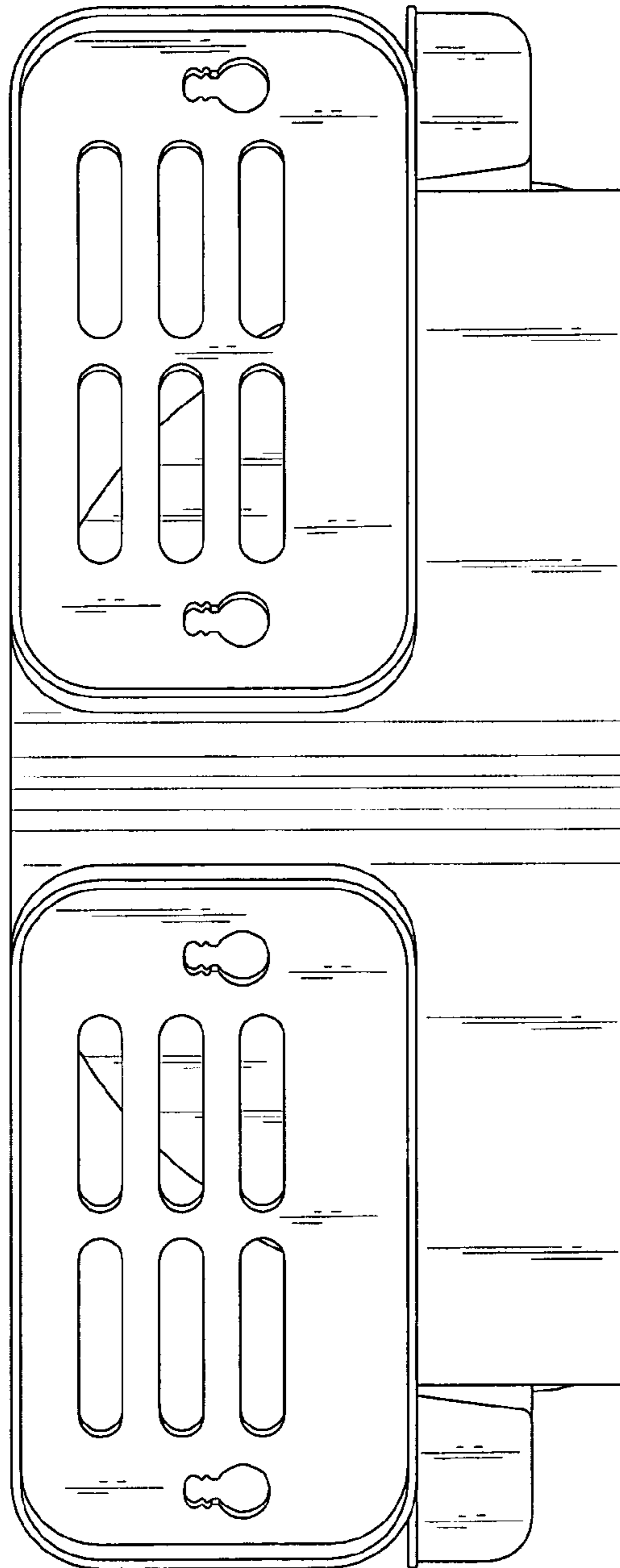


FIG. 6

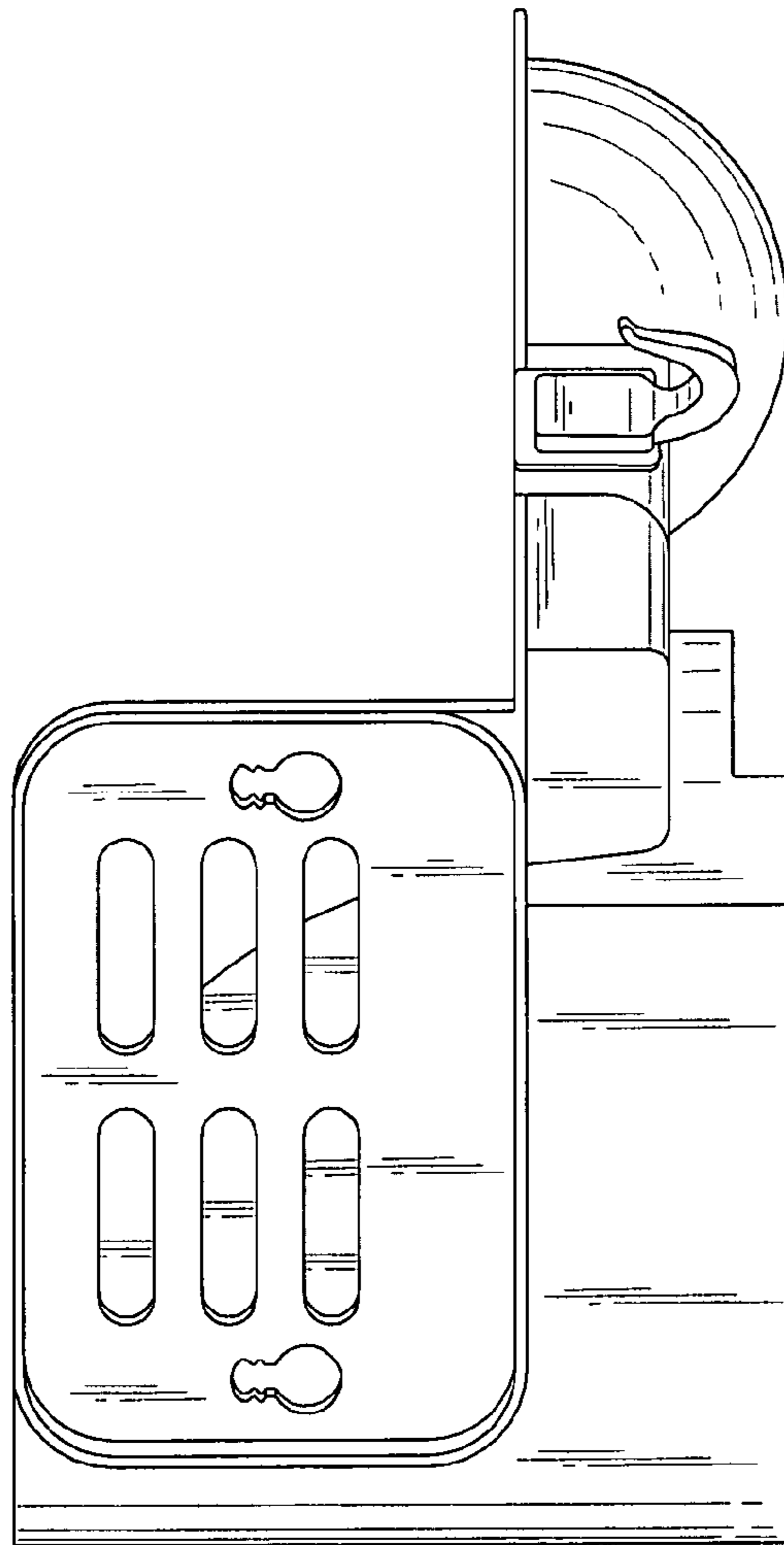


FIG. 7

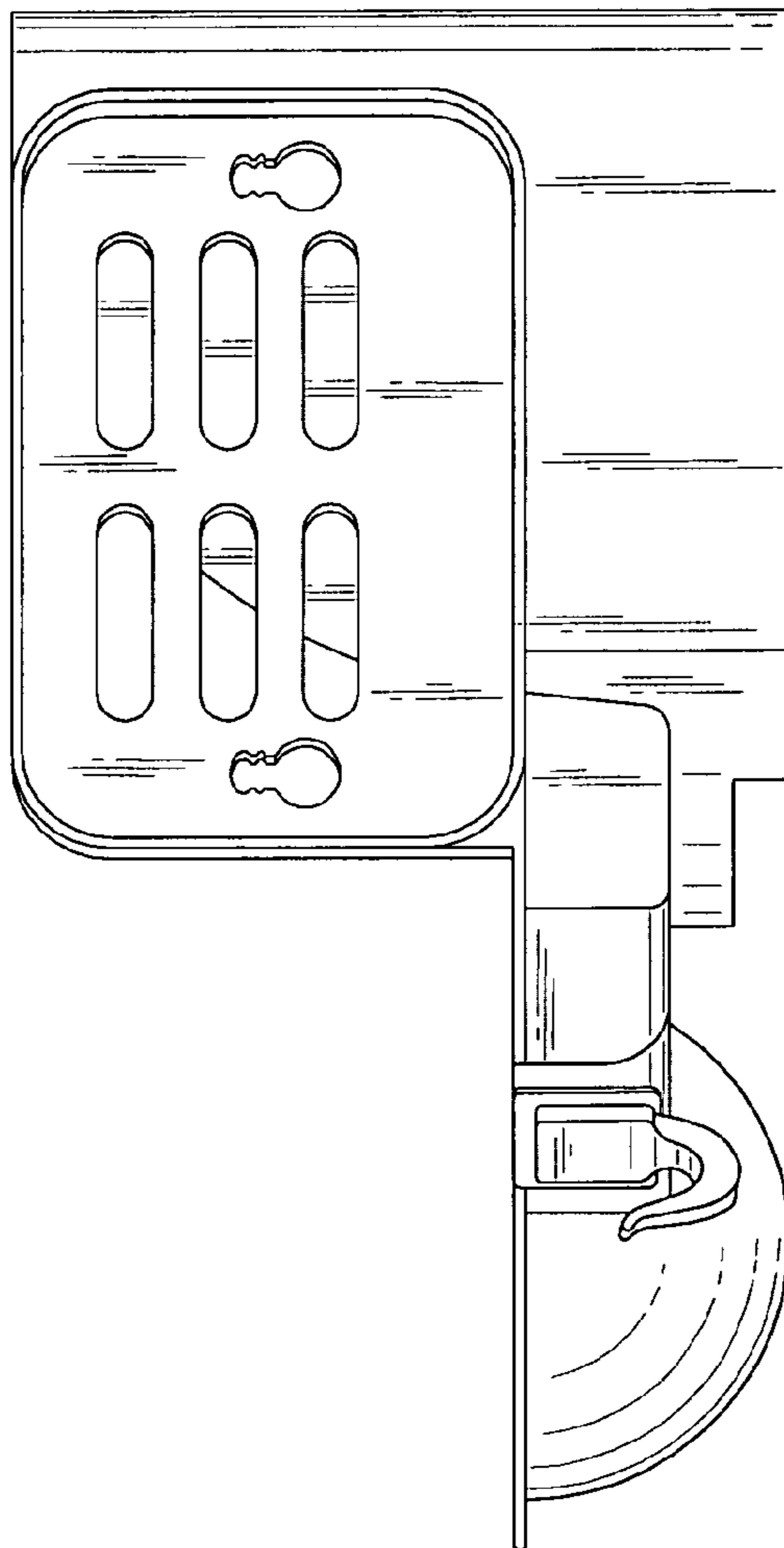


FIG. 8