



US00D632079S

(12) **United States Design Patent**
Spencer et al.

(10) **Patent No.:** **US D632,079 S**

(45) **Date of Patent:** **** Feb. 8, 2011**

(54) **PURSE**

(76) Inventors: **Gloria I. Spencer**, 4403 E. Gold Poppy Way, Phoenix, AZ (US) 85044; **V. Craig Spencer**, 4403 E. Gold Poppy Way, Phoenix, AZ (US) 85044

(**) Term: **14 Years**

(21) Appl. No.: **29/316,802**

(22) Filed: **Nov. 2, 2009**

(51) **LOC (9) Cl.** **03-02**

(52) **U.S. Cl.** **D3/301**

(58) **Field of Classification Search** D3/216,
D3/269, 270, 271.1, 294, 295, 274; D9/600,
D9/617; D6/559; 206/493; 43/57.1
See application file for complete search history.

(56) **References Cited**

U.S. PATENT DOCUMENTS

3,451,454	A	6/1969	Davis	
4,112,991	A	9/1978	Barbaresi	
D389,647	S *	1/1998	White	D3/301
D396,750	S *	8/1998	Slater et al.	D3/295
5,911,262	A	6/1999	Steinhart	
D429,070	S *	8/2000	Marshall	D3/294
6,183,133	B1 *	2/2001	Roegner	383/39
D455,005	S *	4/2002	Wolf	D3/205
D472,706	S *	4/2003	Hassett	D3/289
D479,652	S *	9/2003	Hassett	D3/301

D512,216	S *	12/2005	Joyce	D3/203.6
6,971,424	B1	12/2005	Angevin	
D524,049	S *	7/2006	Hughes	D3/289
D533,713	S *	12/2006	Tucci et al.	D3/203.6
D588,799	S *	3/2009	Garland et al.	D3/205
D613,054	S *	4/2010	Morszeck	D3/205

* cited by examiner

Primary Examiner—Ian Simmons

Assistant Examiner—Charles D. Hanson

(74) *Attorney, Agent, or Firm*—Paul R. Martin

(57) **CLAIM**

The ornamental design for a purse, as shown and described.

DESCRIPTION

FIG. 1 is a perspective view of the interior of the purse of this invention with the lid in open position.

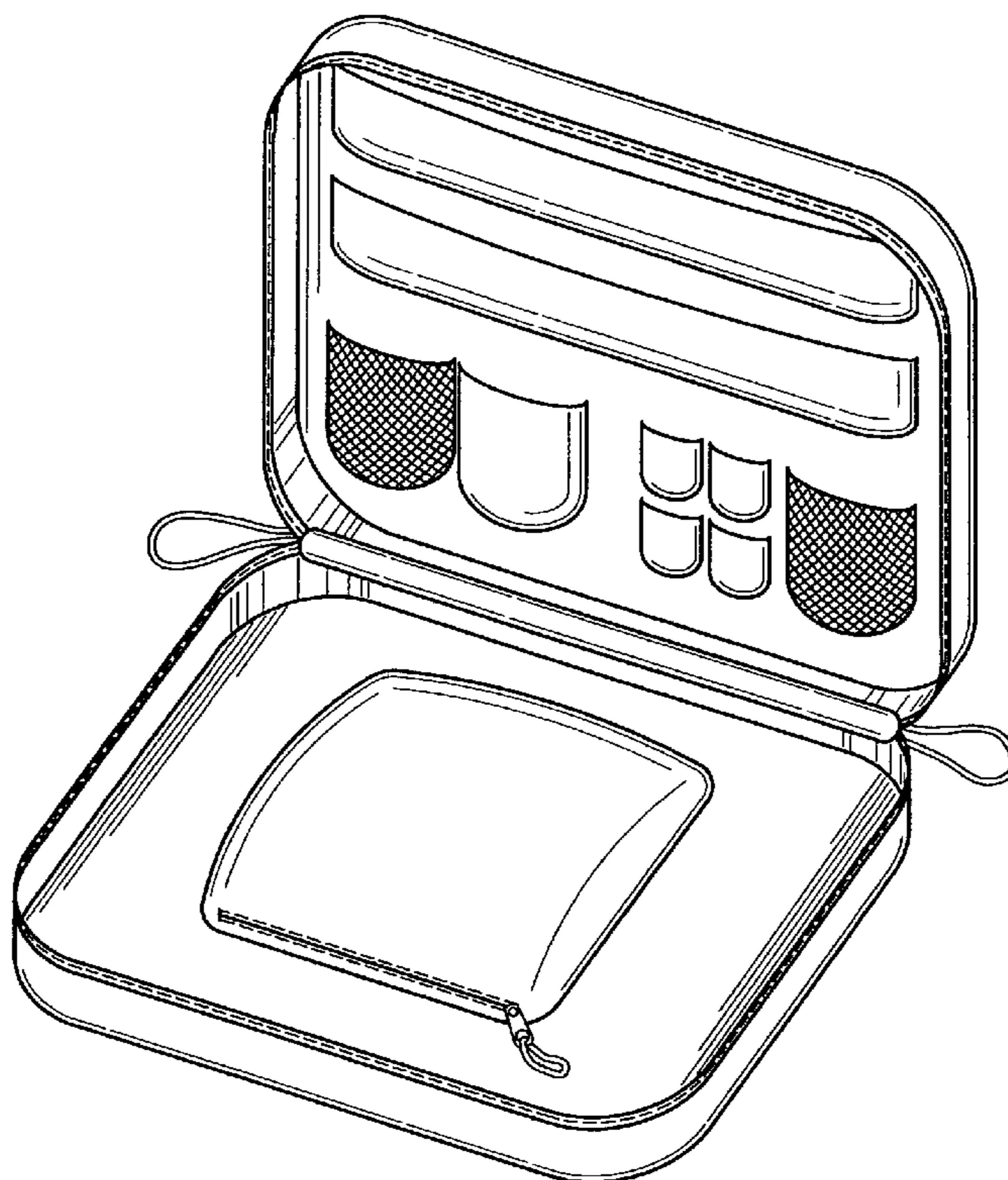
FIG. 2 is a perspective view from the front of the purse of this invention in closed configuration.

FIG. 3 is a perspective view from the bottom of the purse of this invention in closed configuration; and,

FIG. 4 is a perspective view from the rear of the purse of this invention in closed configuration.

The dash lines applied around the perimeter of the purse and on the inside pouch are included for the purpose of illustrating stitching.

1 Claim, 2 Drawing Sheets



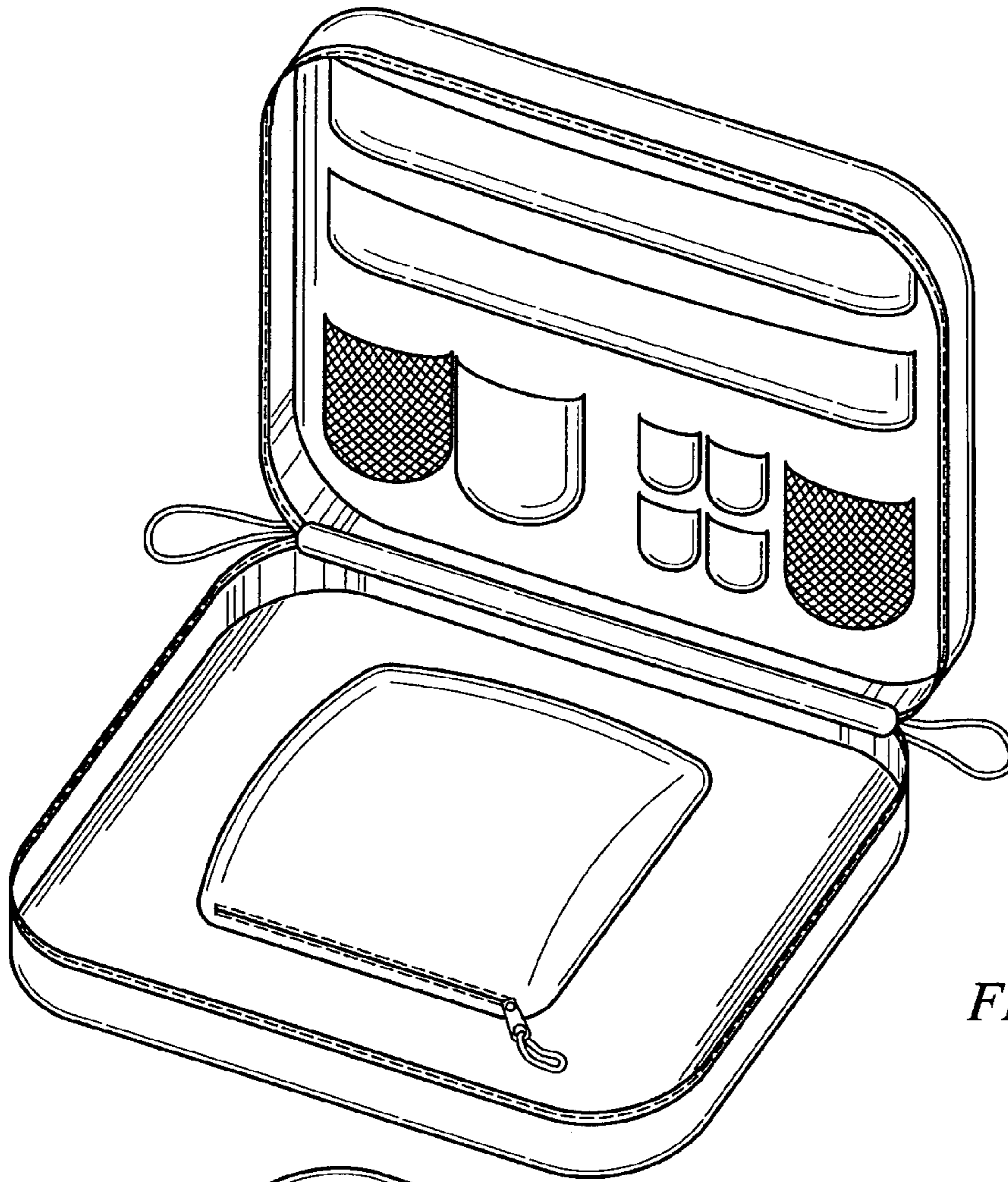


FIG. 1

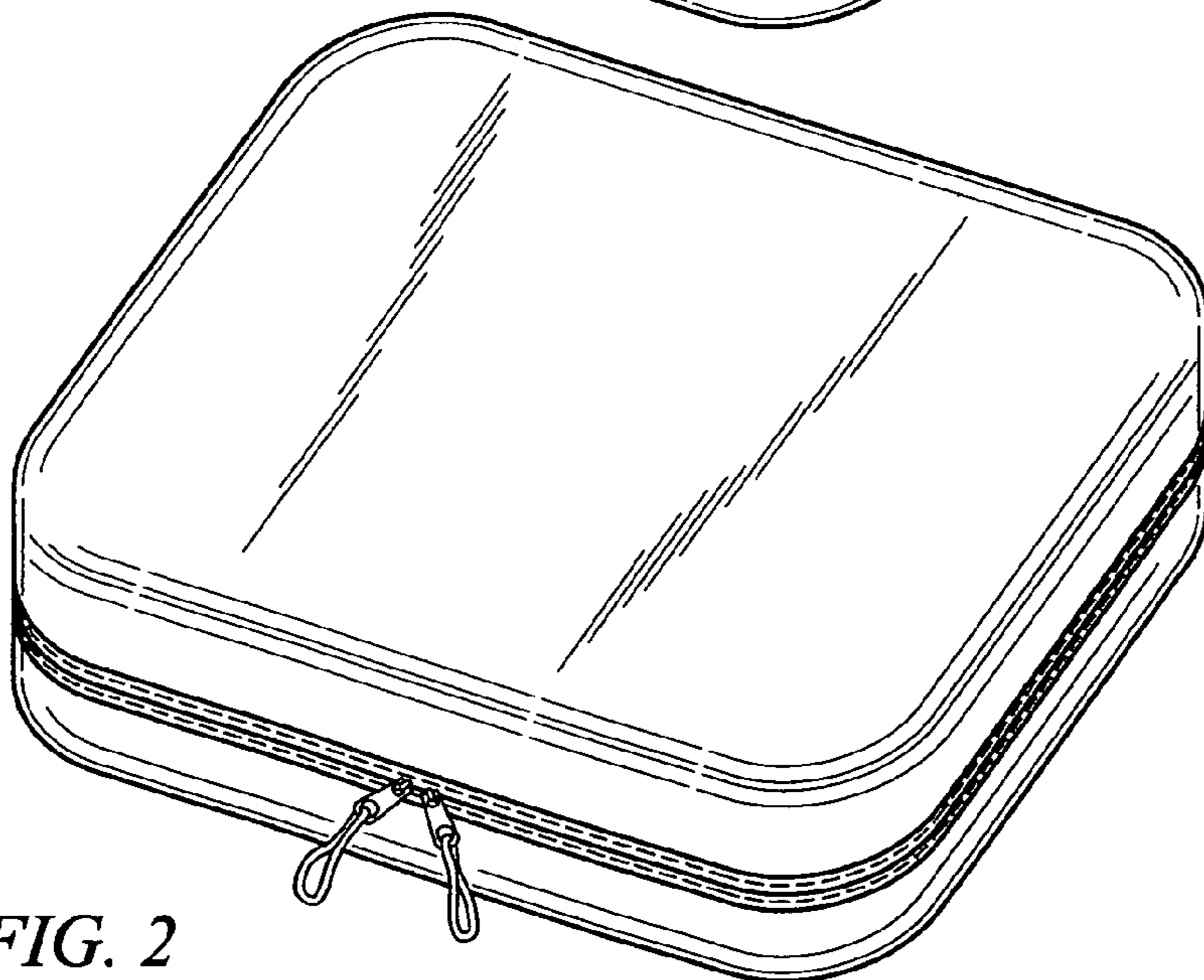


FIG. 2

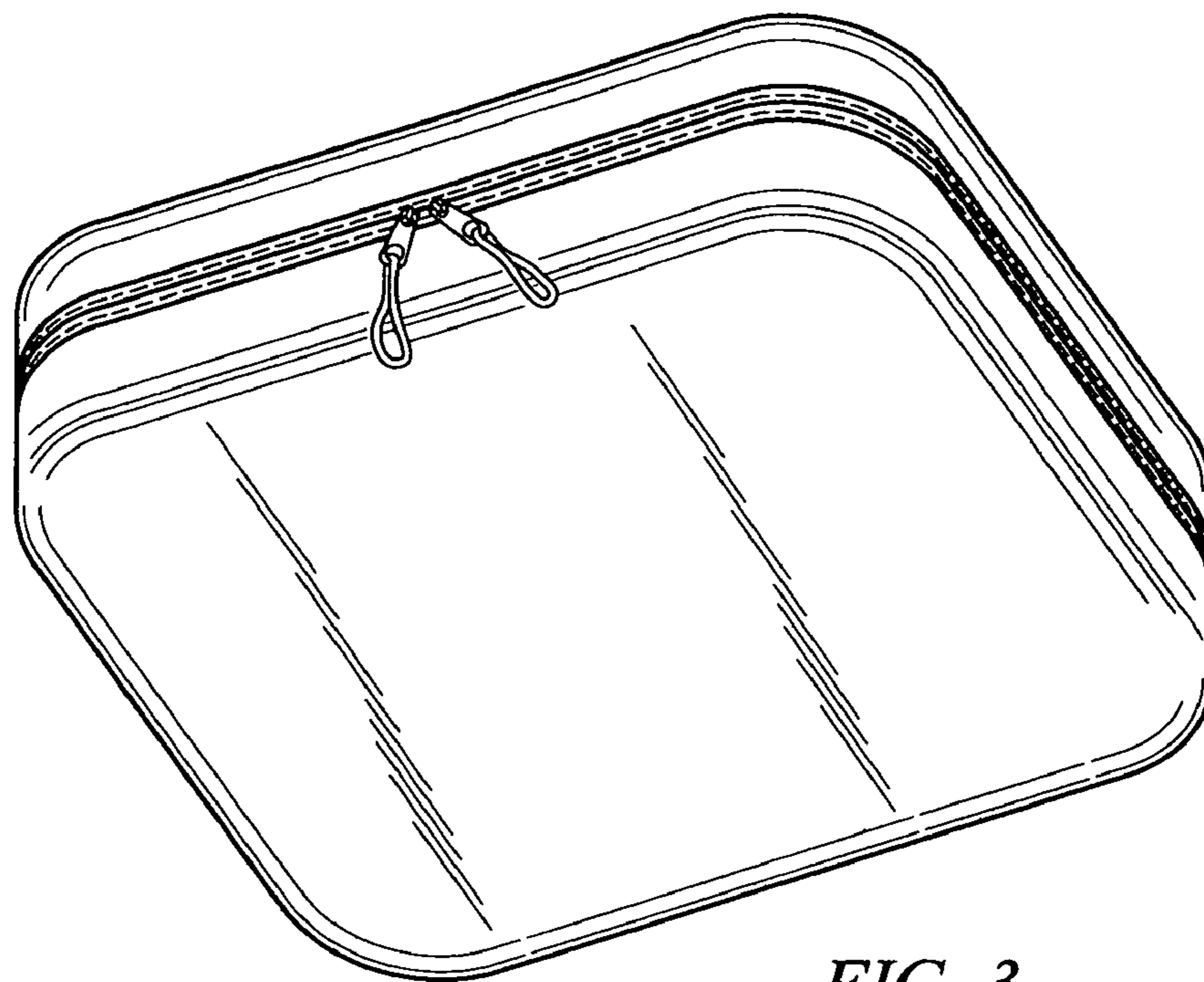


FIG. 3

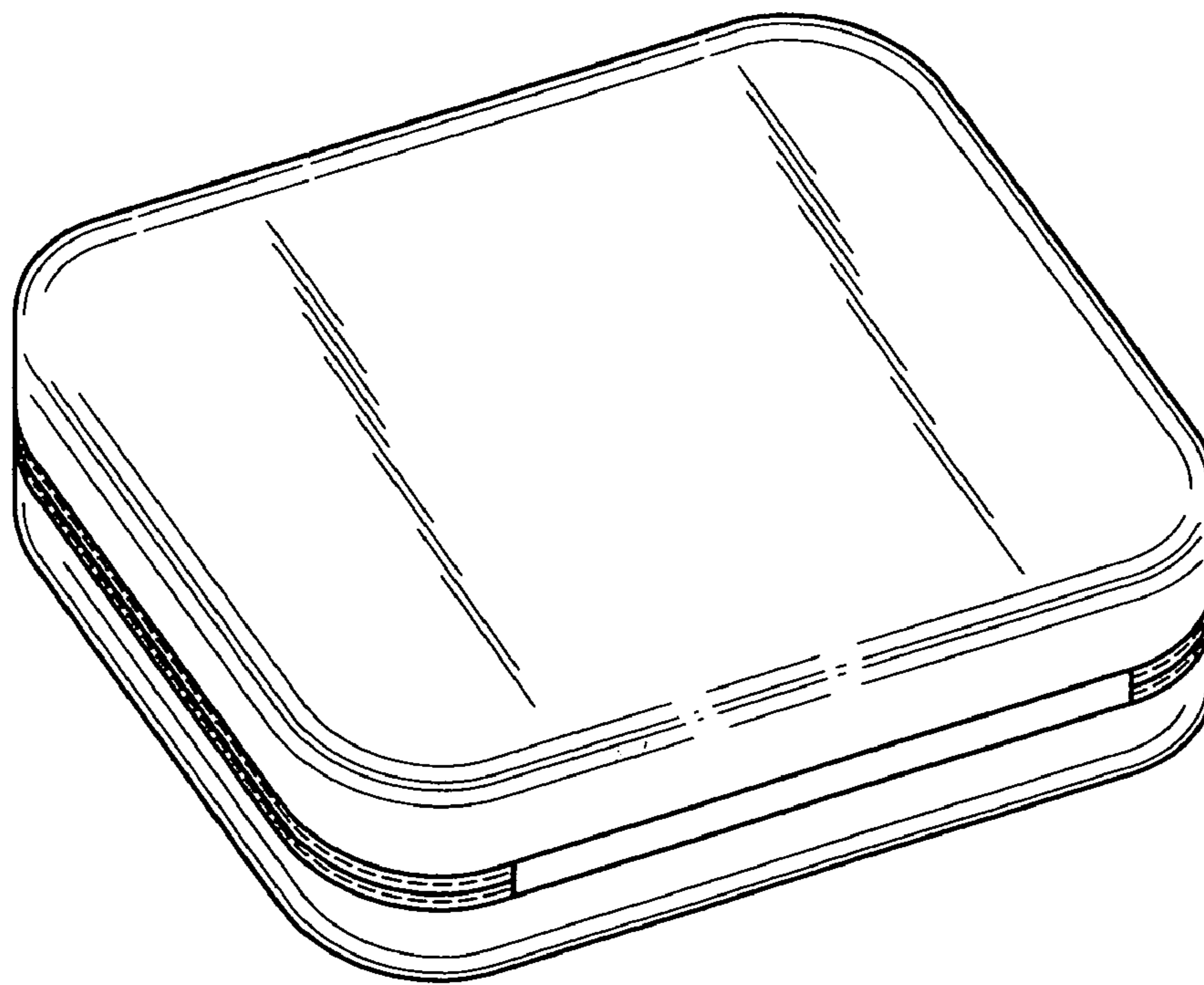


FIG. 4