

US00D632077S

(12) **United States Design Patent**
Yoder et al.

(10) **Patent No.:** **US D632,077 S**

(45) **Date of Patent:** **** Feb. 8, 2011**

(54) **STACKED CASES**

D573,792 S * 7/2008 Hand D3/297
D610,830 S * 3/2010 Hand D6/400

(75) Inventors: **Regina Yoder**, Arthur, IL (US); **Timucin Kip**, Kansas City, MO (US);
Christopher J. Ostrander, Lawrence, KS (US)

* cited by examiner

Primary Examiner—Ian Simmons
Assistant Examiner—Charles D Hanson

(73) Assignee: **Craft-N-Doodle, LLC**, Lexington, KY (US)

(74) *Attorney, Agent, or Firm*—IpHorgan Ltd.

(**) Term: **14 Years**

(57) **CLAIM**

(21) Appl. No.: **29/348,586**

The ornamental design for stacked cases, as shown and described.

(22) Filed: **Jan. 21, 2010**

DESCRIPTION

(51) **LOC (9) Cl.** **03-01**

FIG. 1 is a perspective view of stacked cases showing the new ornamental design, the portions shown in broken lines forming no part of the design sought to be patented;

(52) **U.S. Cl.** **D3/279**

FIG. 2 is a top view thereof, the portions shown in broken lines forming no part of the design sought to be patented;

(58) **Field of Classification Search** D3/272–273,
D3/276, 281–282, 291, 294, 302, 307, 905;
D9/420, 423–426, 429, 432; 190/19, 24;
206/349, 372–373; 312/902

FIG. 3 is a front view thereof, the portions shown in broken lines forming no part of the design sought to be patented;

See application file for complete search history.

FIG. 4 is a bottom view thereof, and the portions shown in broken lines forming no part of the design sought to be patented;

(56) **References Cited**

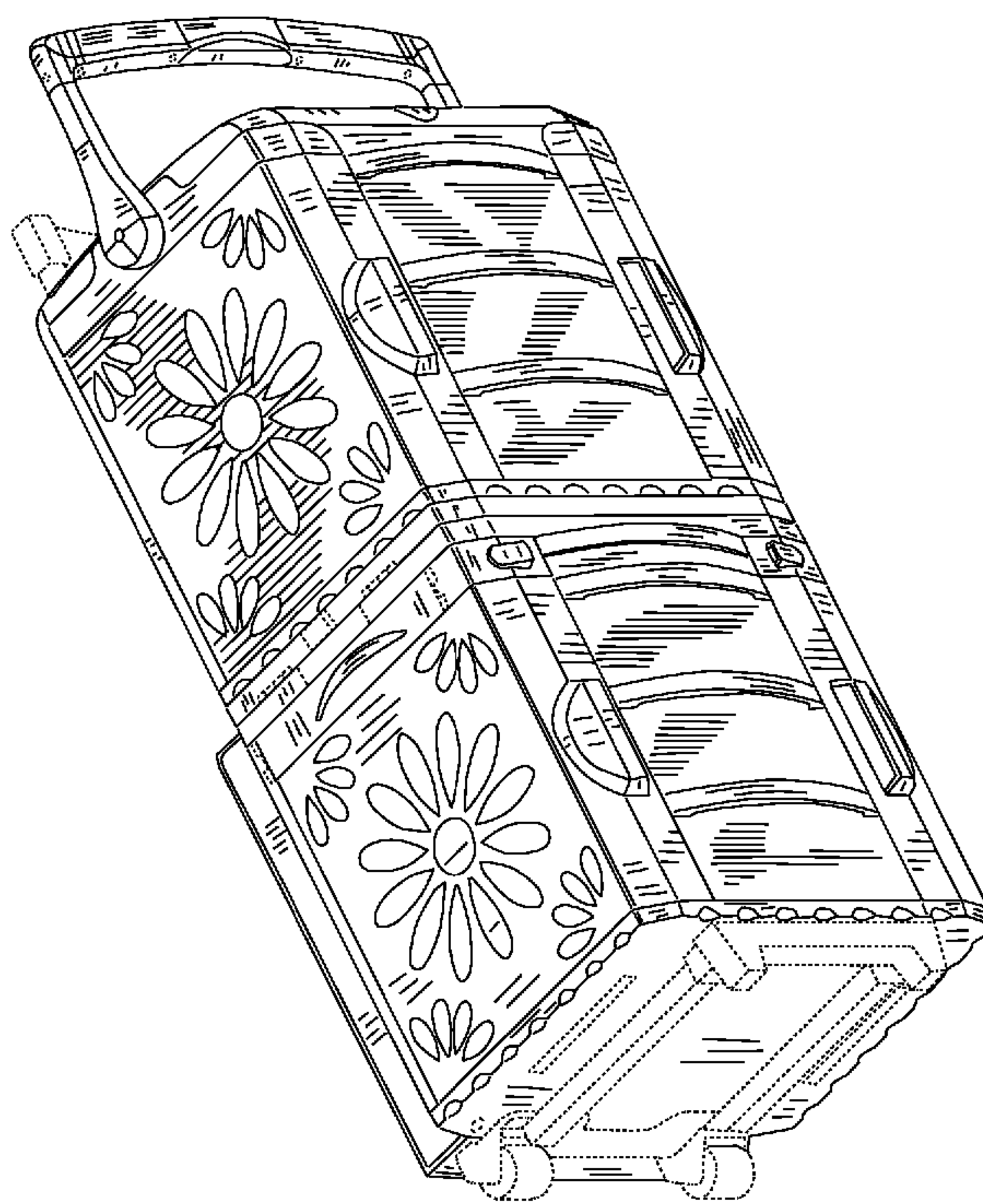
U.S. PATENT DOCUMENTS

D427,768 S * 7/2000 Bogert D3/279
D437,484 S * 2/2001 Tiramani et al. D3/279
6,347,847 B1 * 2/2002 Tiramani et al. 312/108
D462,170 S * 9/2002 Chen et al. D3/279
D470,687 S * 2/2003 Binse et al. D6/436
D507,876 S * 8/2005 Fadely D3/279
D547,518 S * 7/2007 McConnell D34/24
D552,349 S * 10/2007 Greiner D3/279
D563,120 S * 3/2008 Malley et al. D6/445

FIG. 5 is a back view thereof, and the portions shown in broken lines forming no part of the design sought to be patented; and,

FIG. 6 is a left side view thereof, the left and right views being a mirror image, and the portions shown in broken lines forming no part of the design sought to be patented.

1 Claim, 6 Drawing Sheets



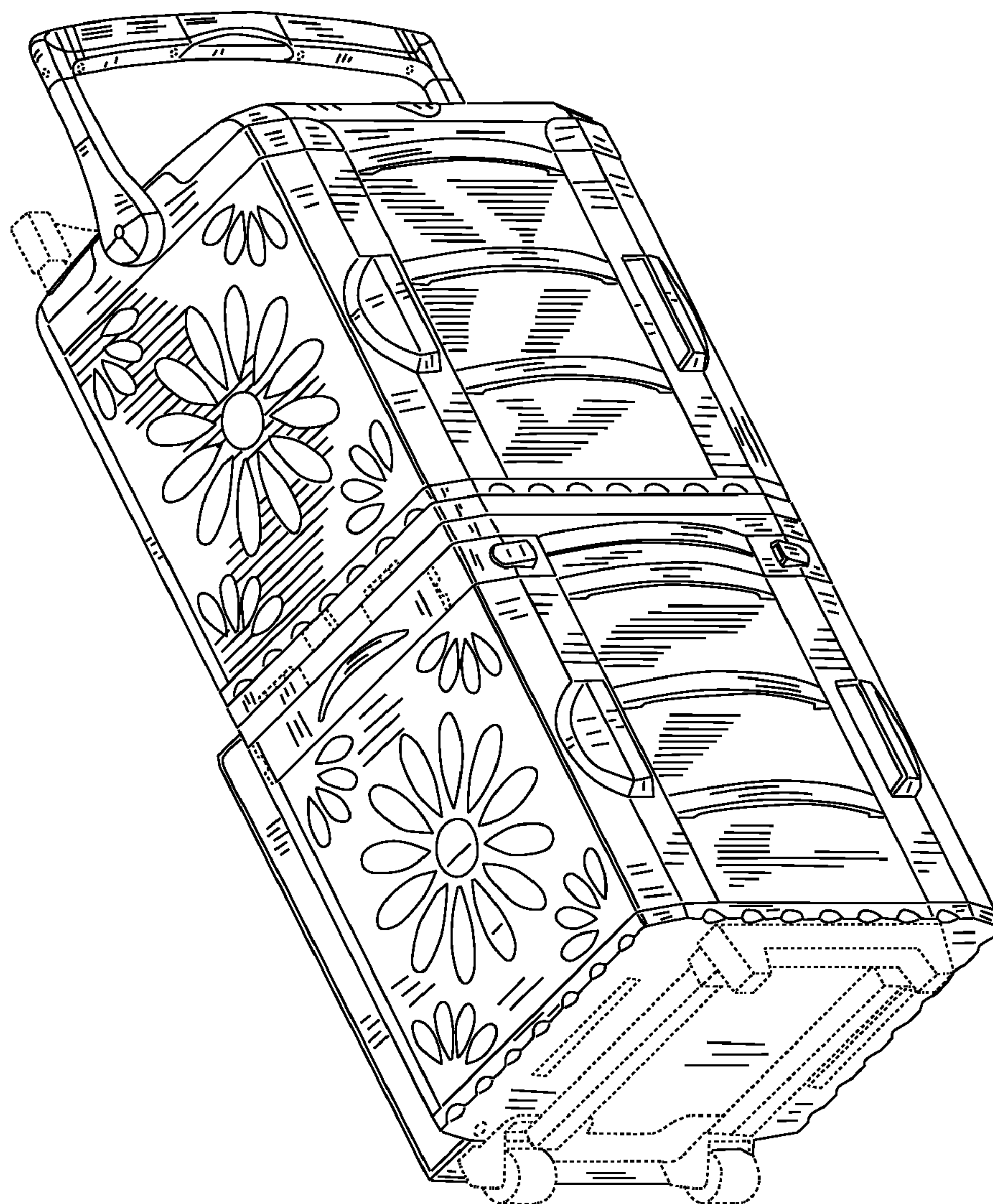


Fig. 1

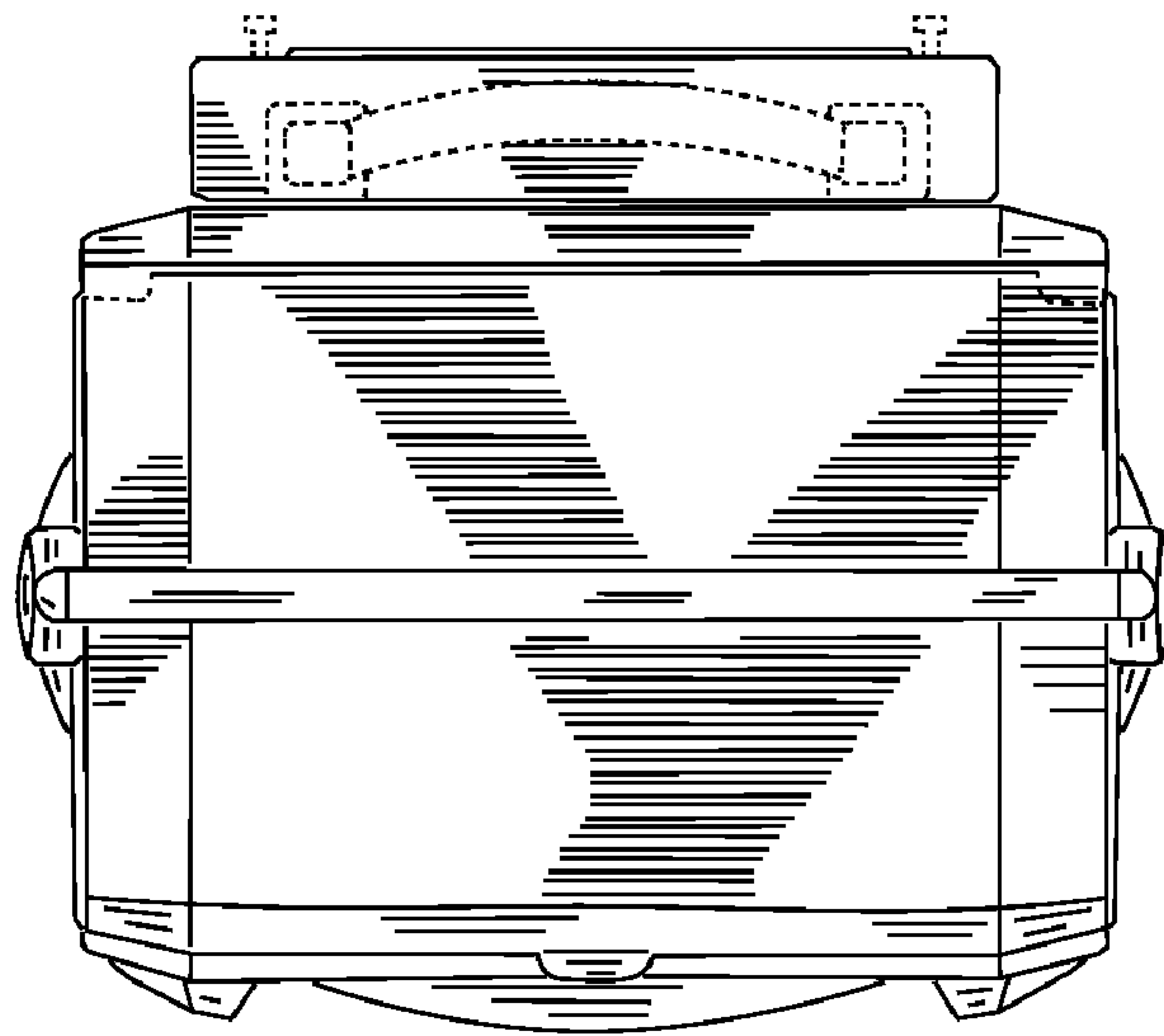


Fig. 2

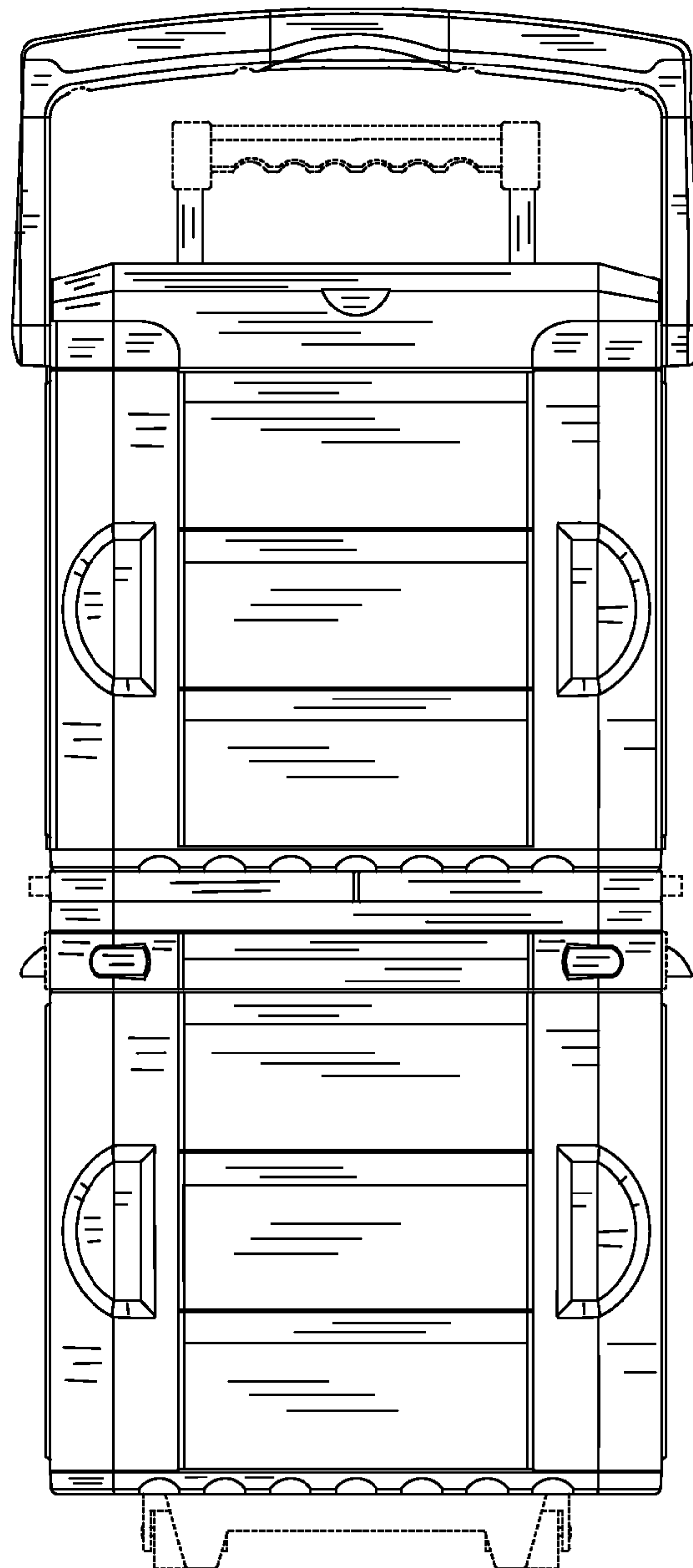


Fig. 3

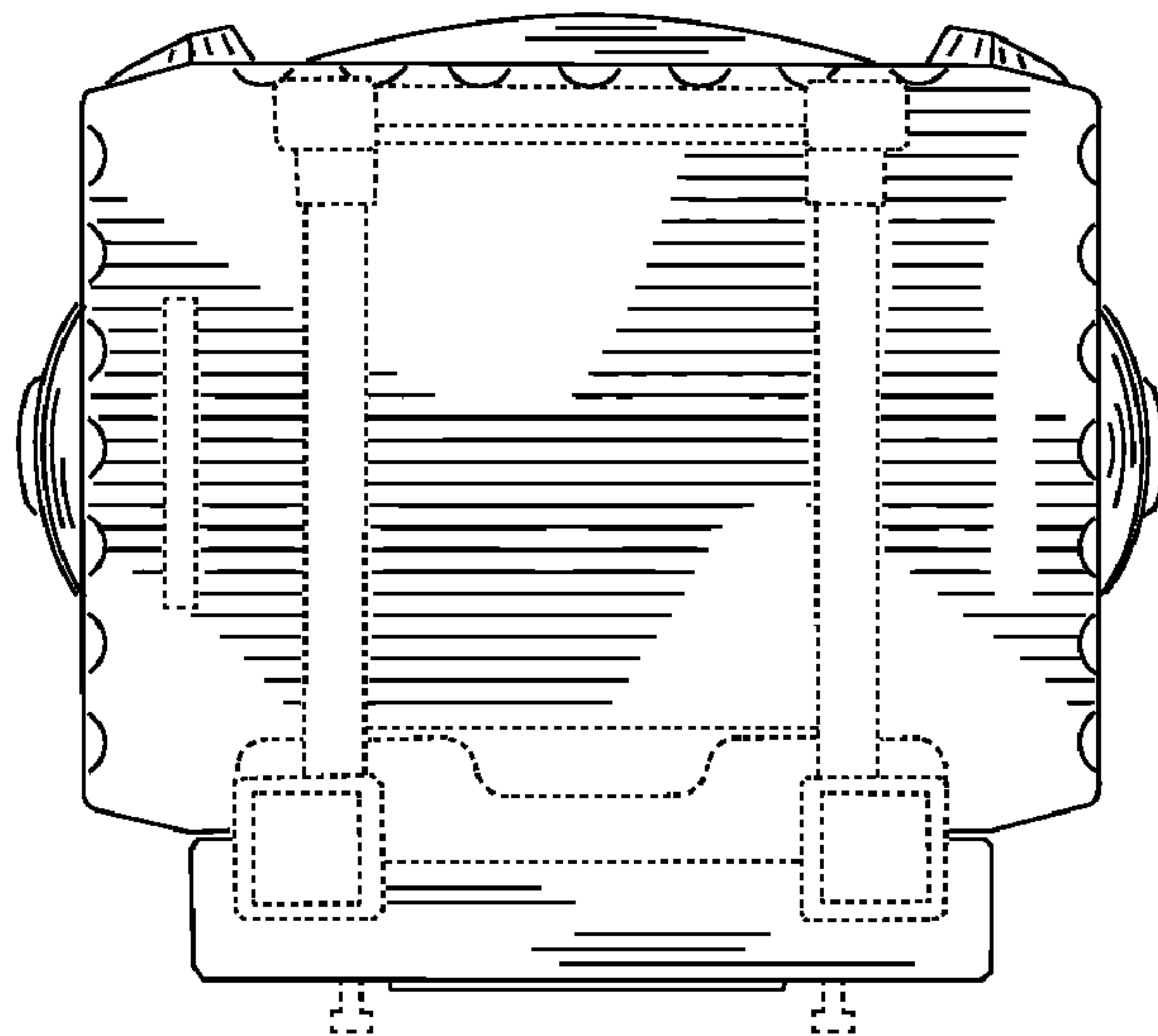


Fig. 4

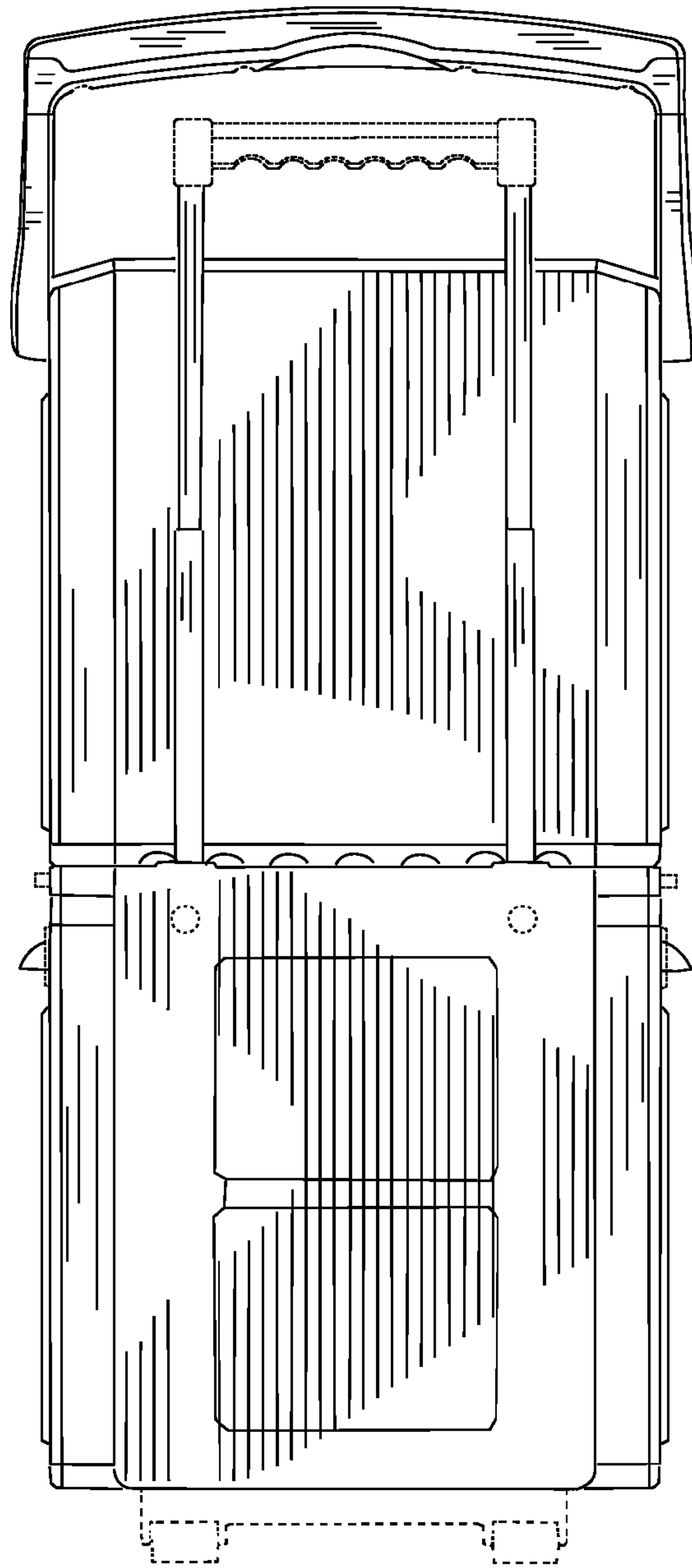


Fig. 5

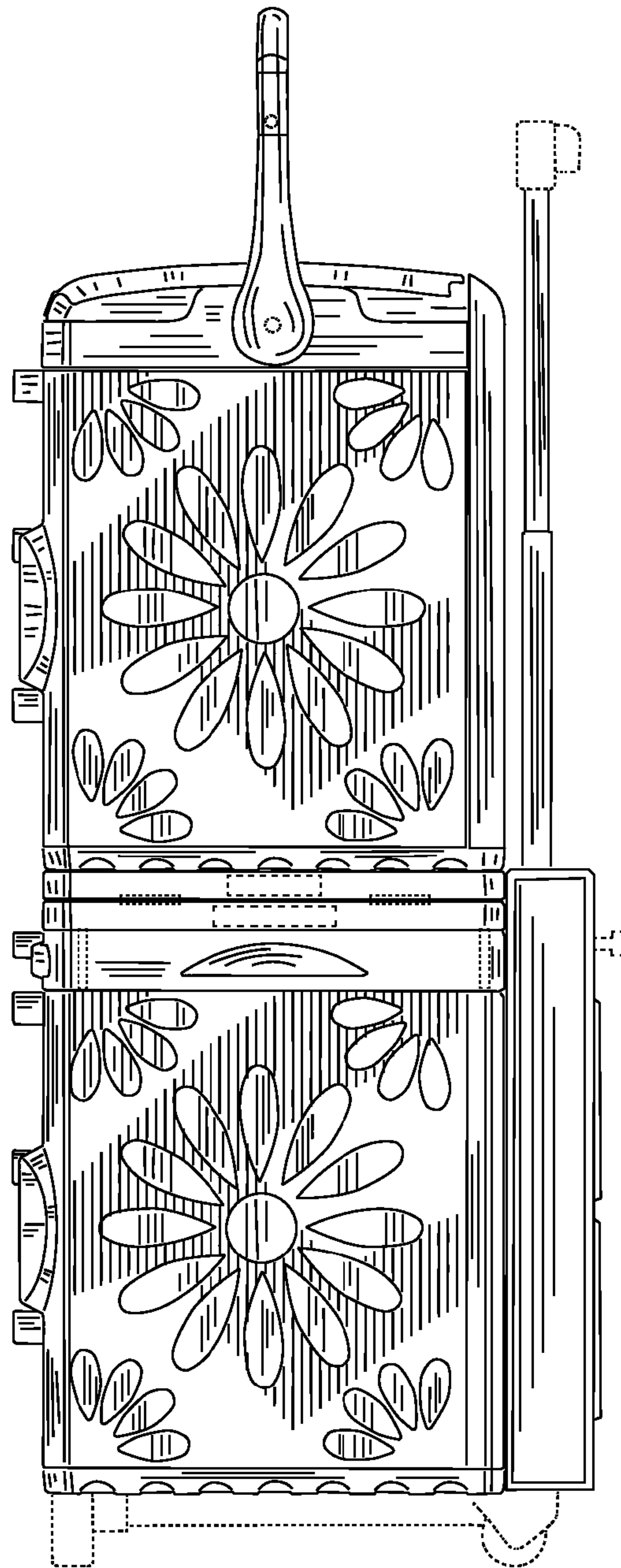


Fig. 6