



US00D632076S

(12) **United States Design Patent**  
**Westrick**

(10) **Patent No.:** **US D632,076 S**

(45) **Date of Patent:** **\*\* Feb. 8, 2011**

(54) **WALLET**

(76) **Inventor:** **Paul J. Westrick**, 94 Tibet Rd.,  
Columbus, OH (US) 43202

(\*\*) **Term:** **14 Years**

(21) **Appl. No.:** **29/357,297**

(22) **Filed:** **Mar. 10, 2010**

(51) **LOC (9) Cl.** ..... **03-01**

(52) **U.S. Cl.** ..... **D3/247**

(58) **Field of Classification Search** ..... D3/247-253;  
150/130-132, 145

See application file for complete search history.

(56) **References Cited**

**U.S. PATENT DOCUMENTS**

D95,295 S *	4/1935	Walinski	.....	D3/243
2,477,840 A *	8/1949	Vasilas	.....	150/136
D384,499 S	10/1997	Gaestel		
D527,898 S	9/2006	Tavone		
D585,194 S *	1/2009	Leo	.....	D3/247
D593,749 S *	6/2009	Holzner et al.	.....	D3/247

2002/0157745 A1 10/2002 Stodghill

\* cited by examiner

*Primary Examiner*—Holly H Baynham

(74) *Attorney, Agent, or Firm*—Standley Law Group LLP

(57) **CLAIM**

The ornamental design for a wallet, as shown and described.

**DESCRIPTION**

FIG. 1 is a front perspective view of a first embodiment of the wallet;

FIG. 2 is a rear perspective view of FIG. 1;

FIG. 3 is a top plan view of FIG. 1, the bottom plan view being a mirror image thereof;

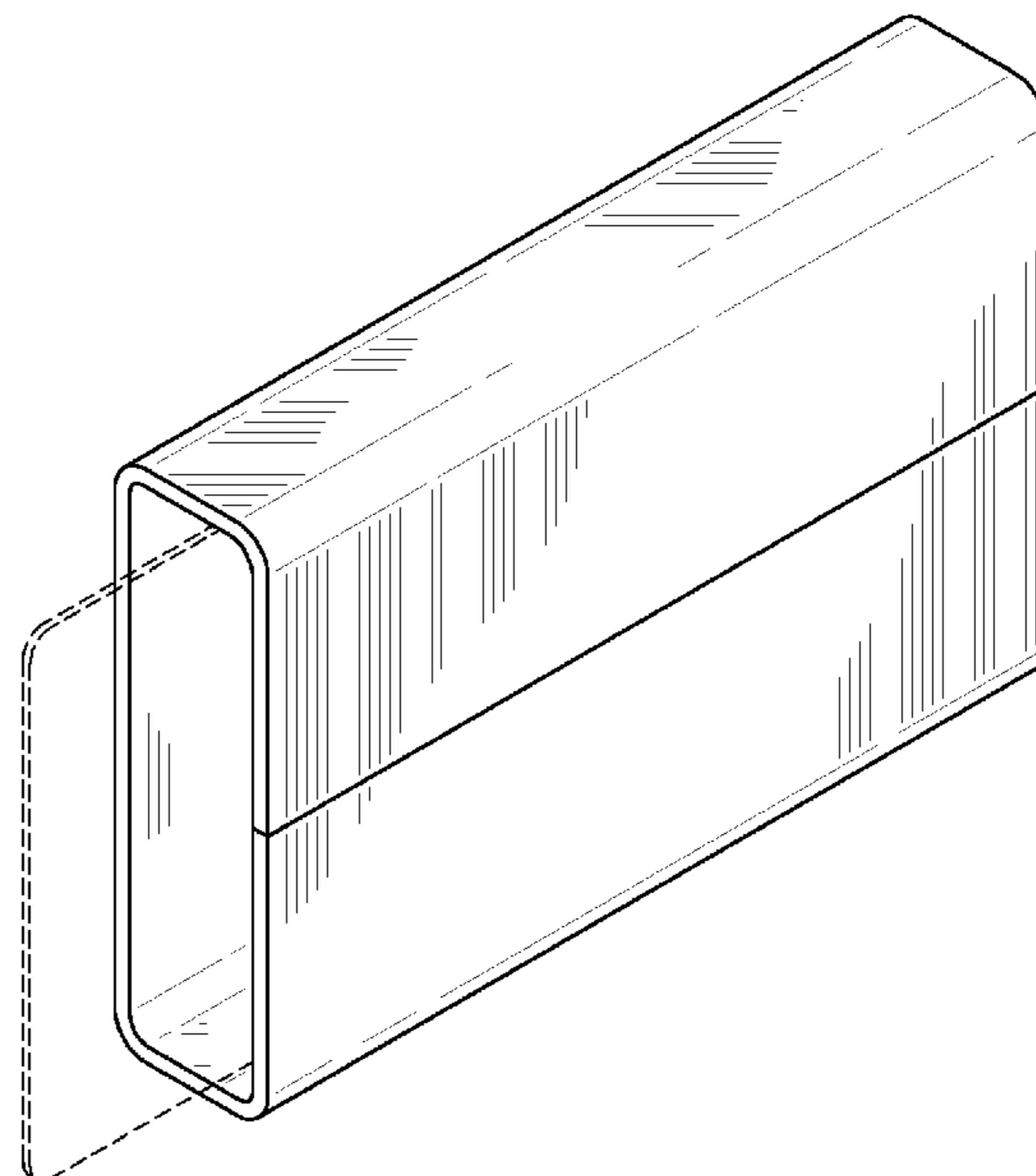
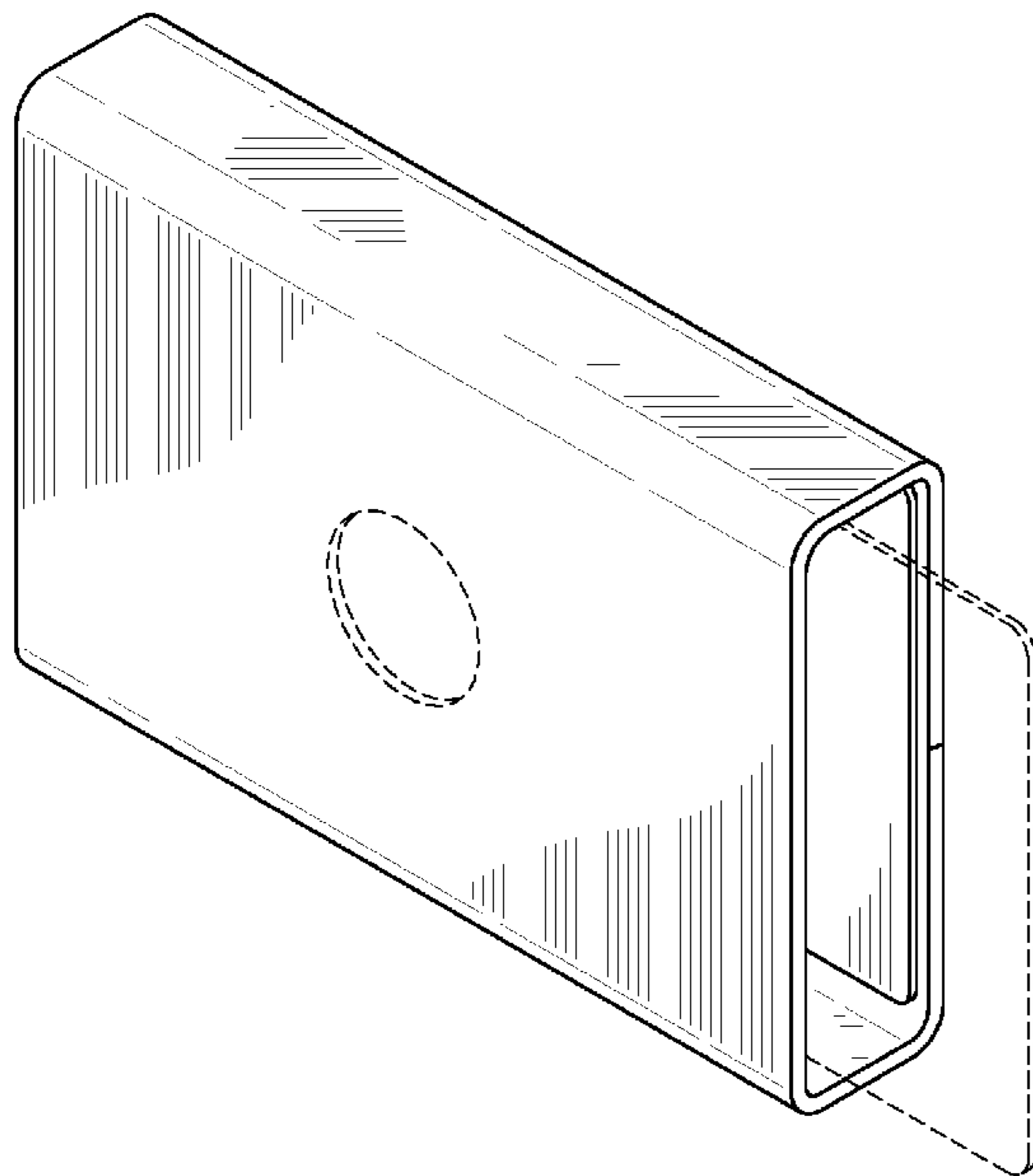
FIG. 4 is a front elevation view of FIG. 1;

FIG. 5 is a right side elevation view of FIG. 1, the left side elevation view being a mirror image thereof; and,

FIG. 6 is a rear elevation view of FIG. 1.

The broken line showing of a card and an opening is included for the purpose of illustrating environment and forms no part of the claimed design.

**1 Claim, 2 Drawing Sheets**



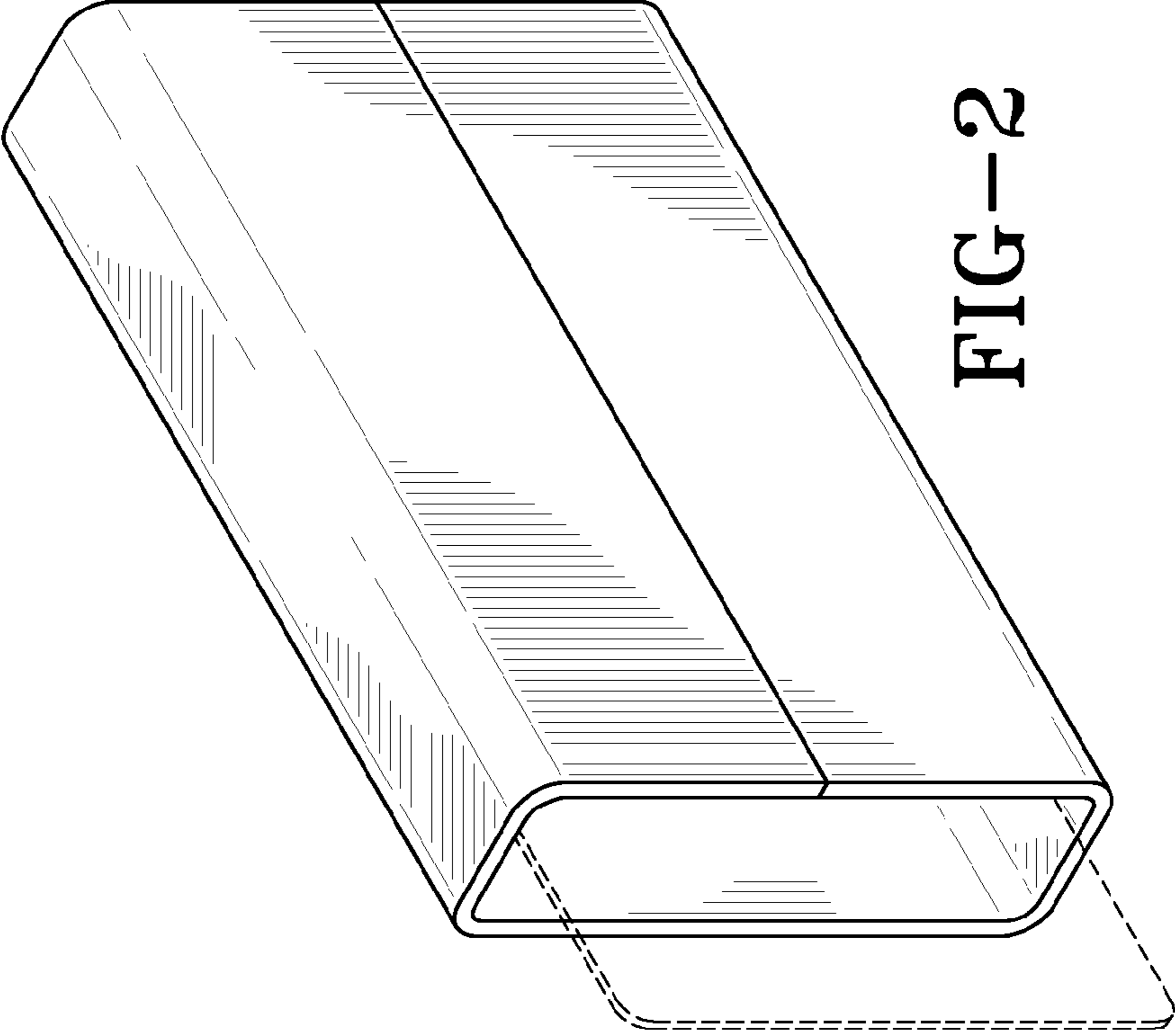


FIG-2

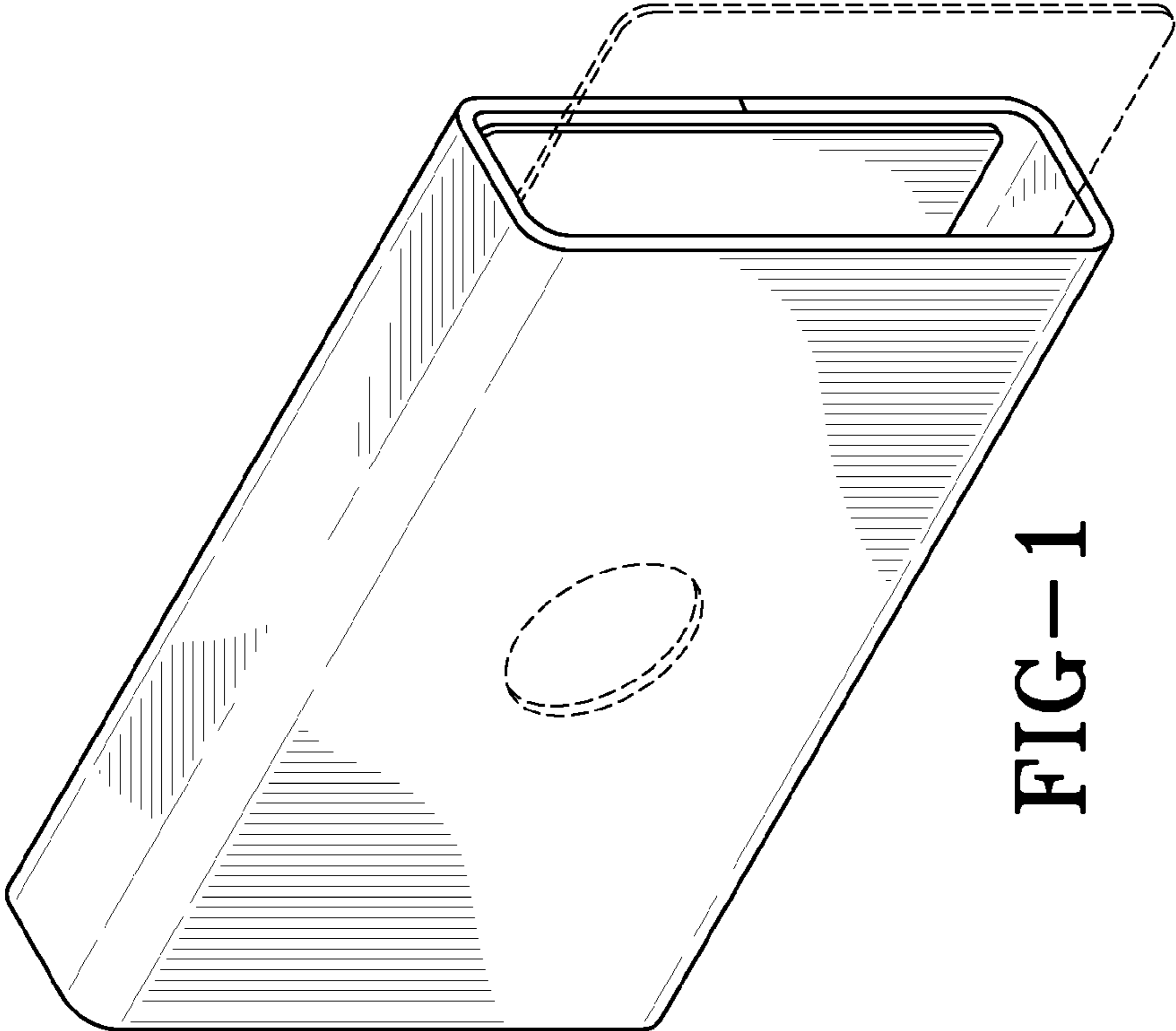


FIG-1

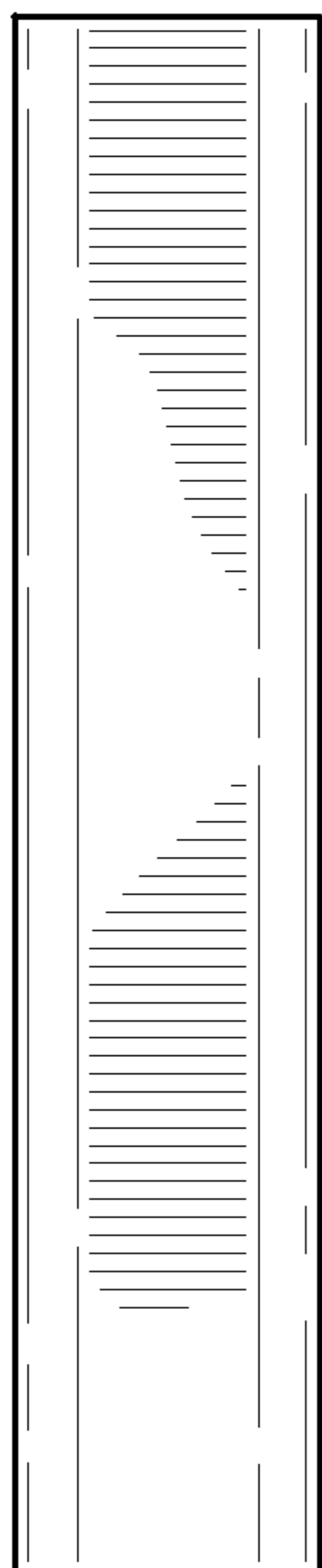


FIG-3

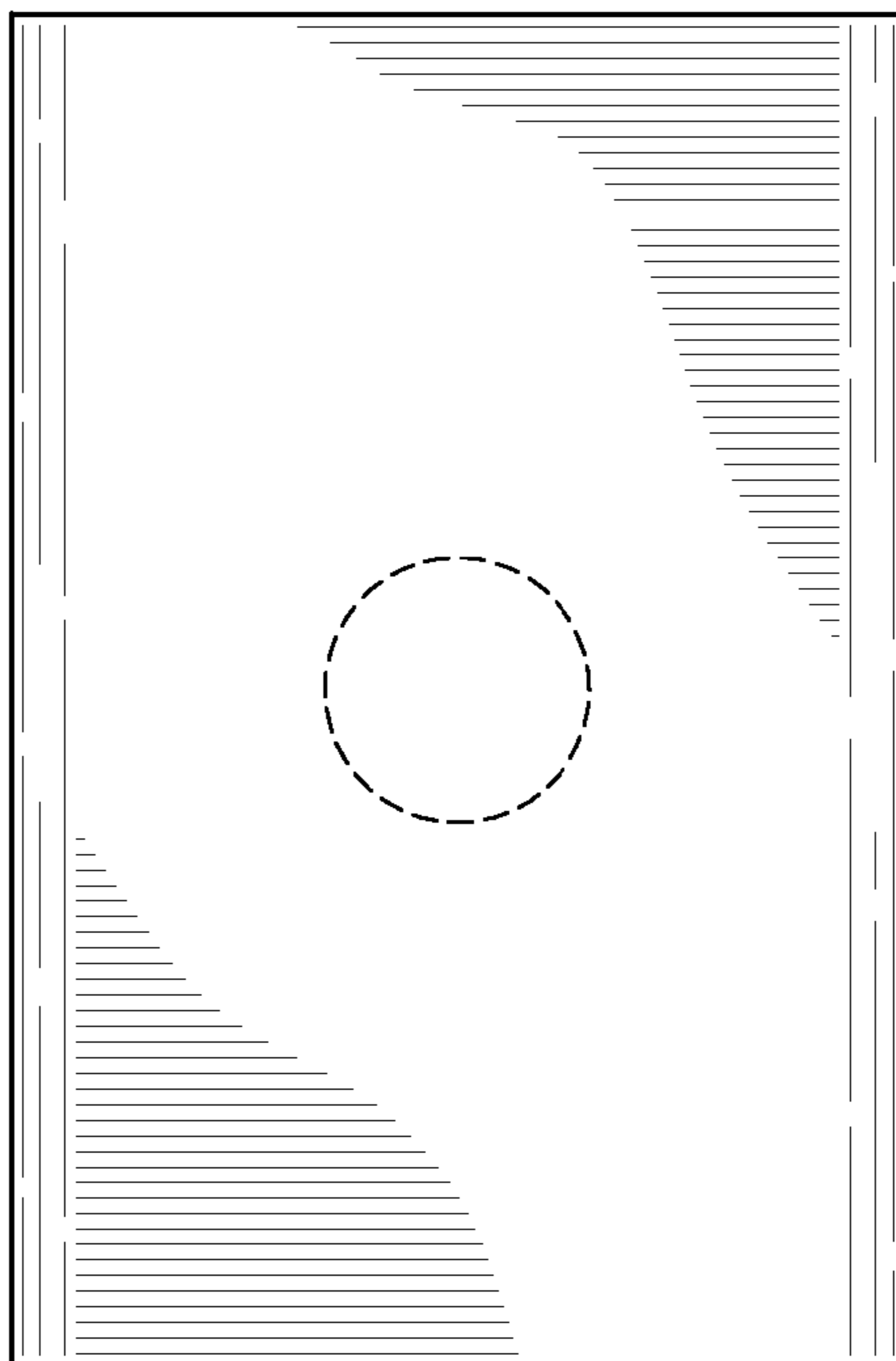


FIG-4

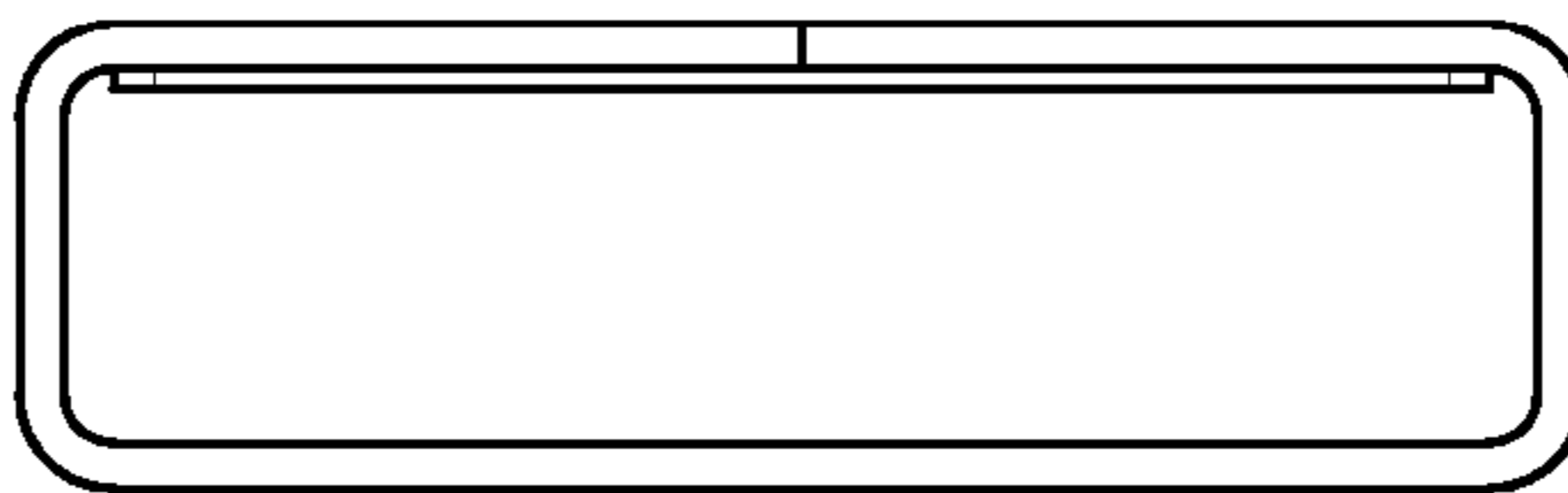


FIG-5

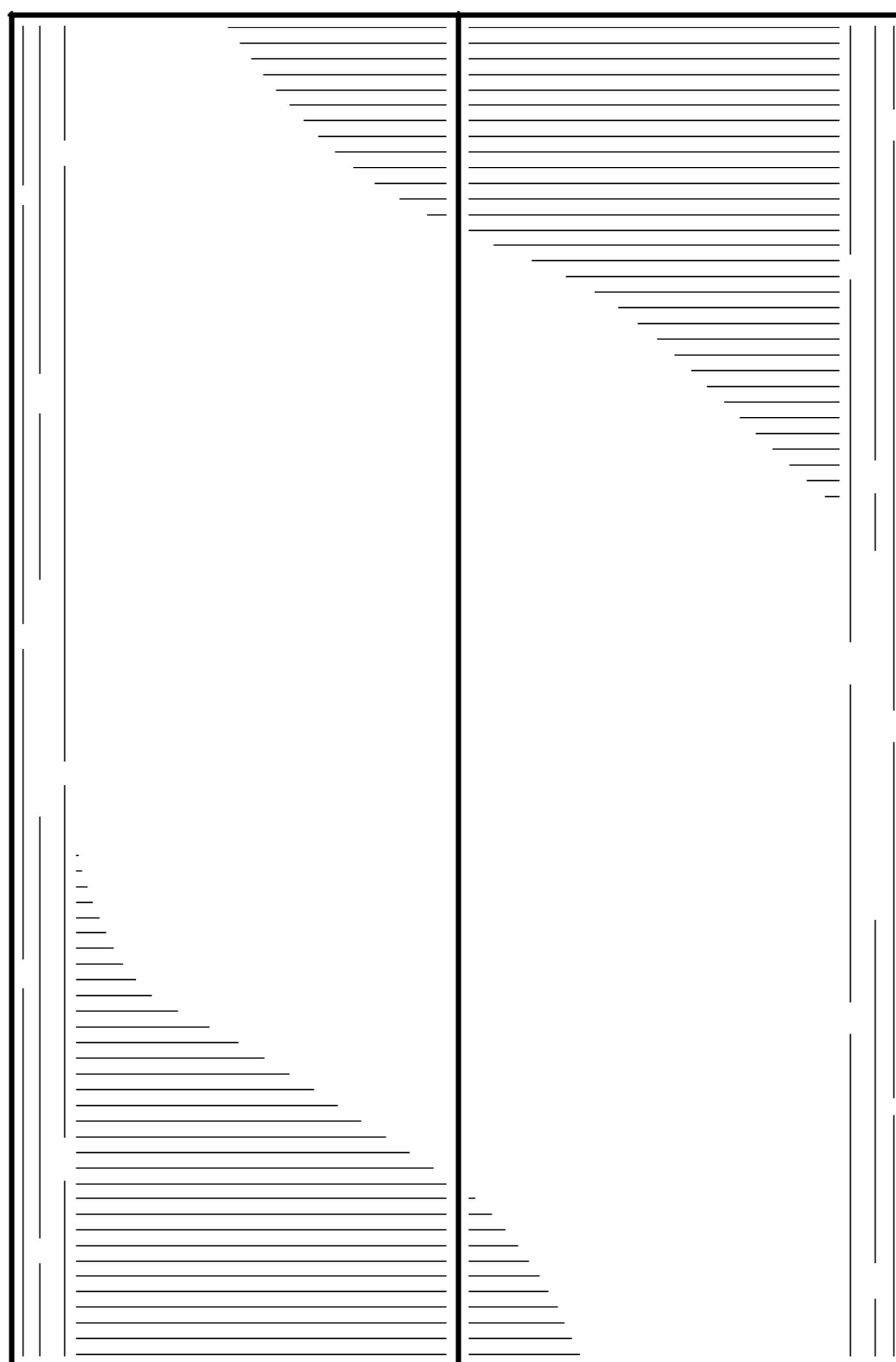


FIG-6

UNITED STATES PATENT AND TRADEMARK OFFICE  
**CERTIFICATE OF CORRECTION**

PATENT NO. : D632,076 S  
APPLICATION NO. : 29/357297  
DATED : February 8, 2011  
INVENTOR(S) : Paul J. Westrick

Page 1 of 1

It is certified that error appears in the above-identified patent and that said Letters Patent is hereby corrected as shown below:

On the title page, Description, FIG. 1, please delete “of a first embodiment”.

Signed and Sealed this  
Twenty-second Day of March, 2011

A handwritten signature in black ink that reads "David J. Kappos". The signature is written in a cursive style with a large initial 'D' and 'K'.

David J. Kappos  
*Director of the United States Patent and Trademark Office*