



US00D632072S

(12) **United States Design Patent**
Fahrendorff et al.

(10) **Patent No.:** **US D632,072 S**

(45) **Date of Patent:** **** Feb. 8, 2011**

(54) **HANDHELD ELECTRONIC DEVICE CASE**

D332,872 S * 2/1993 Seber D3/220

D515,807 S * 2/2006 Faillace D3/218

D606,301 S * 12/2009 Hofer et al. D3/218

(75) Inventors: **Anders Fahrendorff**, Kanata (CA);
Andrew David Lowe, Ottawa (CA)

* cited by examiner

(73) Assignee: **Research In Motion Limited**, Waterloo,
Ontario (CA)

Primary Examiner—Catherine R Oliver

(**) Term: **14 Years**

(57) **CLAIM**

(21) Appl. No.: **29/360,184**

We claim the ornamental design for a handheld electronic device case, as shown and described.

(22) Filed: **Apr. 21, 2010**

DESCRIPTION

(51) **LOC (9) Cl.** **03-01**

FIG. 1 is a rear perspective view of a handheld electronic device case;

(52) **U.S. Cl.** **D3/218**

FIG. 2 is a front perspective view of the handheld electronic device case;

(58) **Field of Classification Search** D3/218,
D3/201, 215, 219, 226, 269, 272–273, 265,
D3/247–249; 206/305, 320; 455/90, 92,
455/42; 379/455; 224/250, 666, 674–677,
224/680–683, 240, 901; D14/496, 156, 138
See application file for complete search history.

FIG. 3 is a front elevation view thereof;

FIG. 4 is a rear elevation view thereof;

FIG. 5 is a top plan view thereof; and

FIG. 6 is a bottom plan view thereof.

FIG. 7 is a left elevational view thereof; and,

FIG. 8 is a right elevational view thereof.

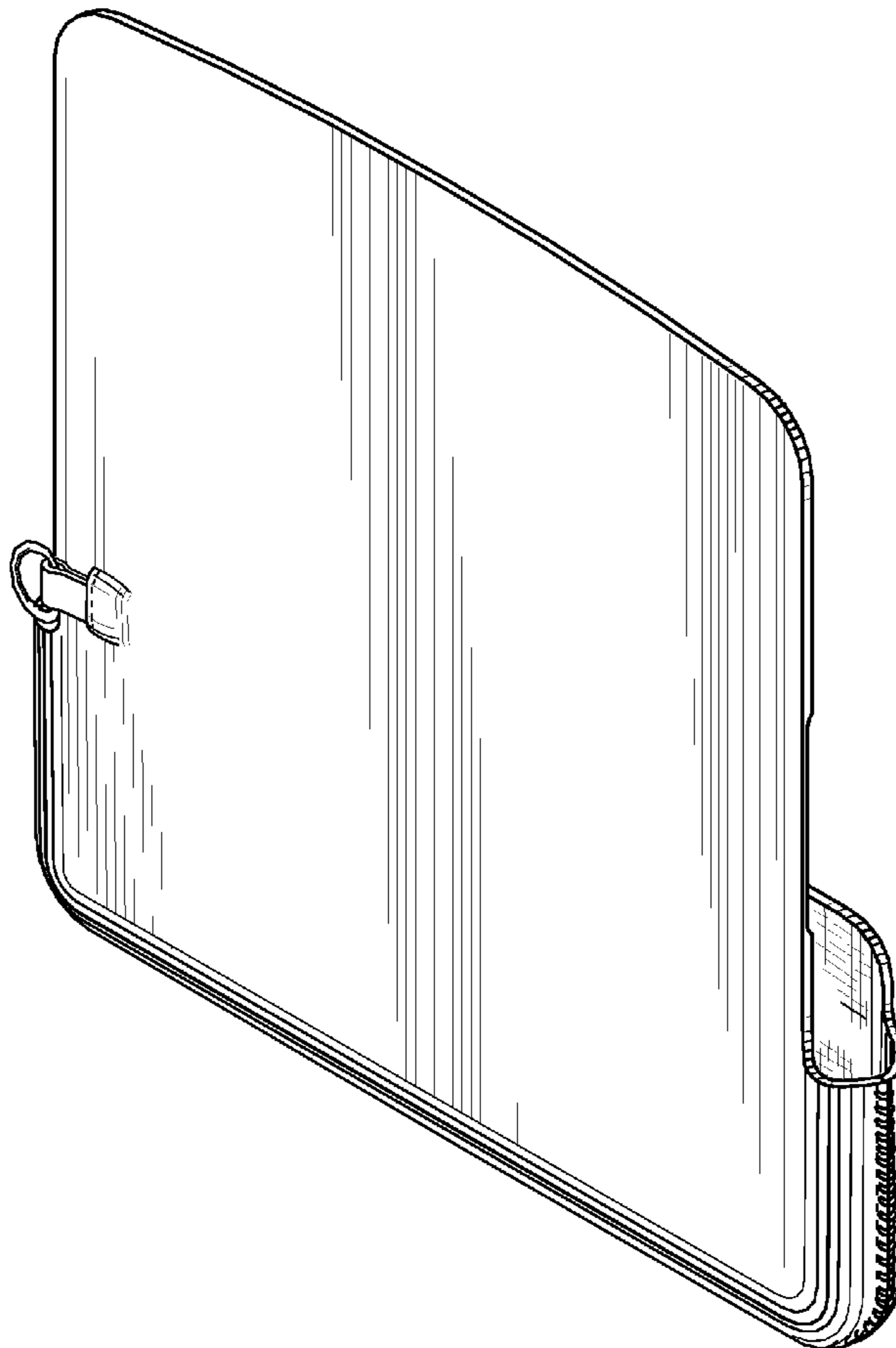
(56) **References Cited**

U.S. PATENT DOCUMENTS

D172,458 S * 6/1954 Baratelli D3/265

D251,084 S * 2/1979 Marks D3/265

1 Claim, 6 Drawing Sheets



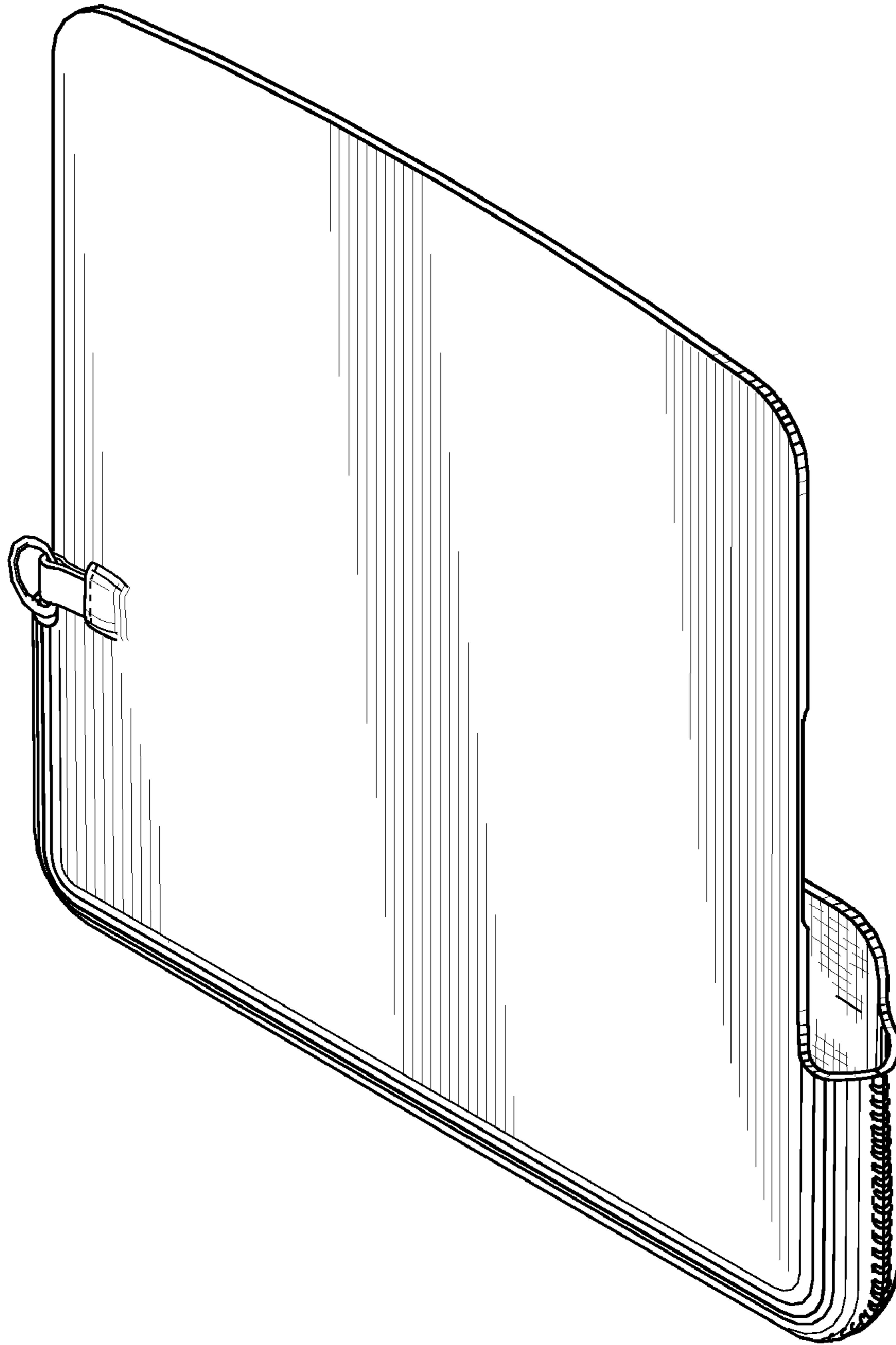


FIG. 1

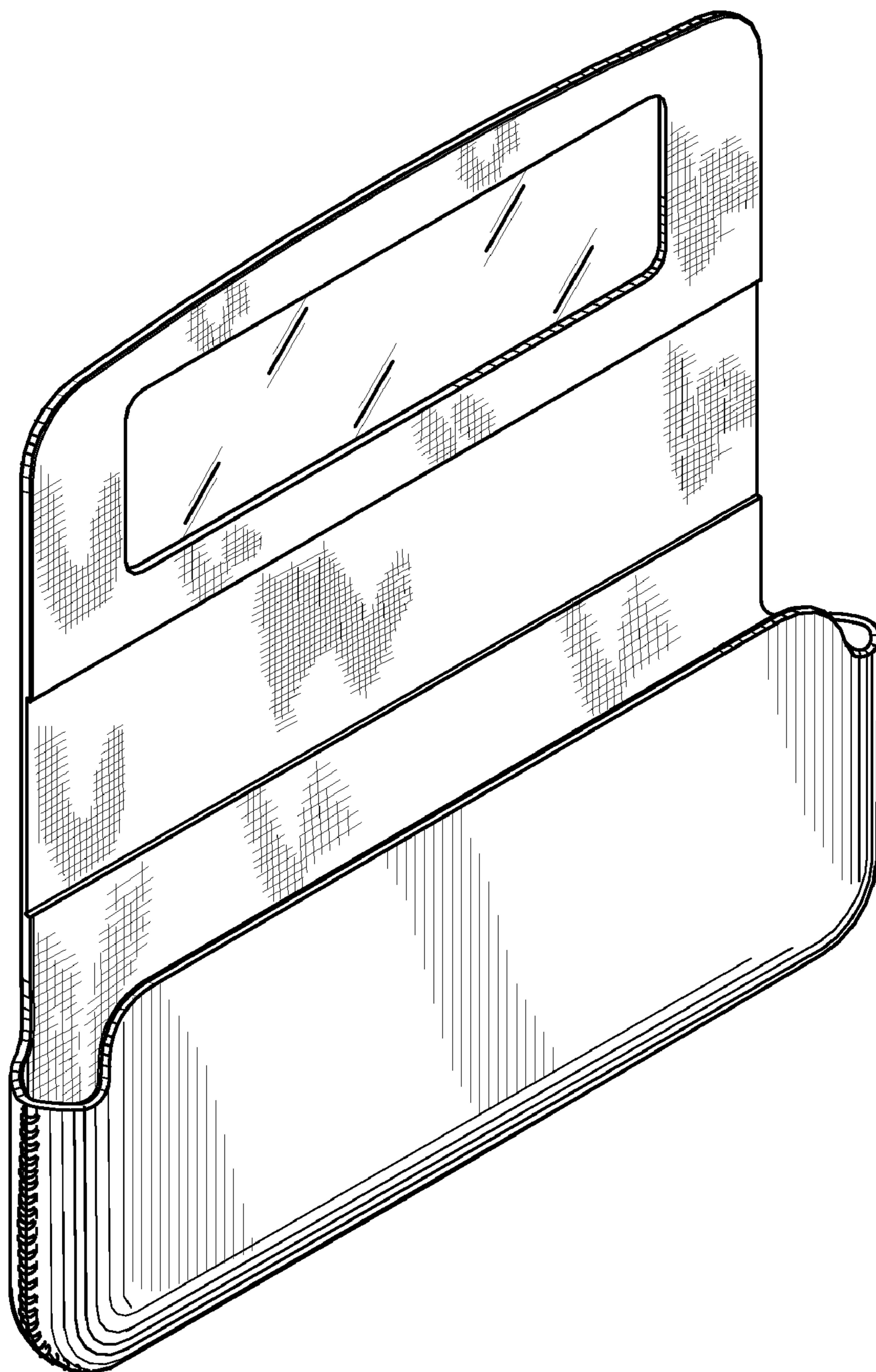


FIG.2

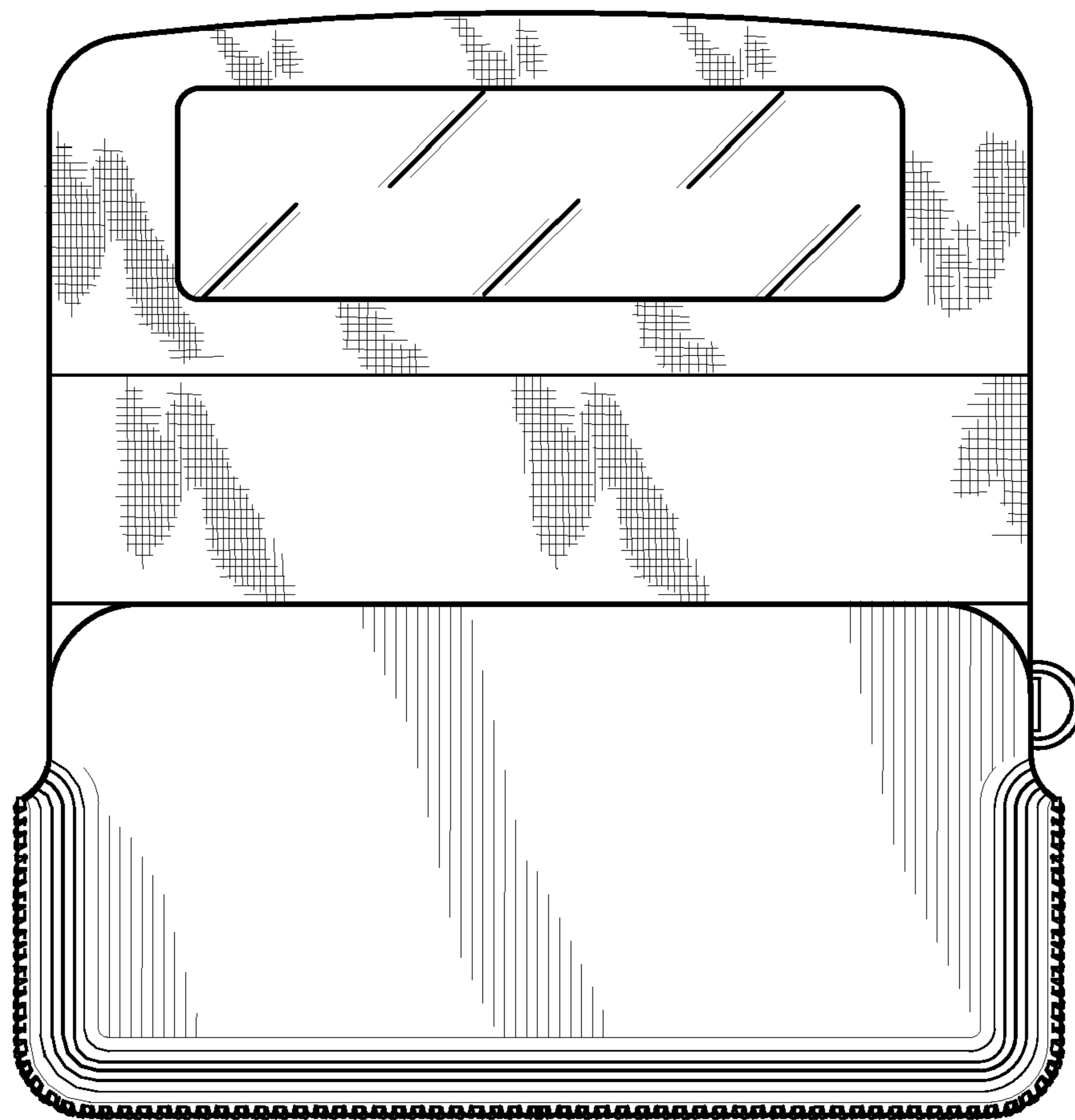


FIG.3

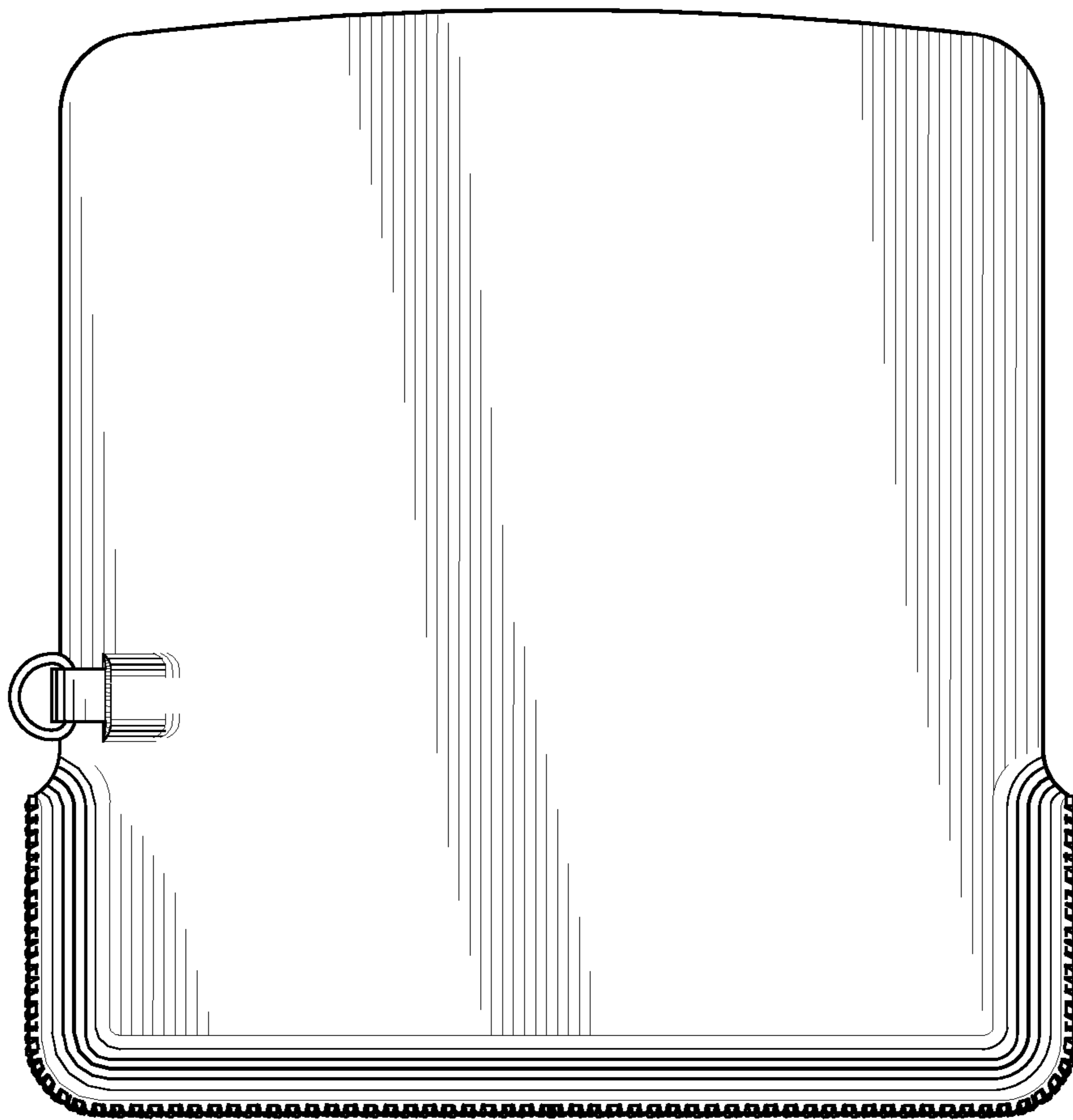


FIG.4

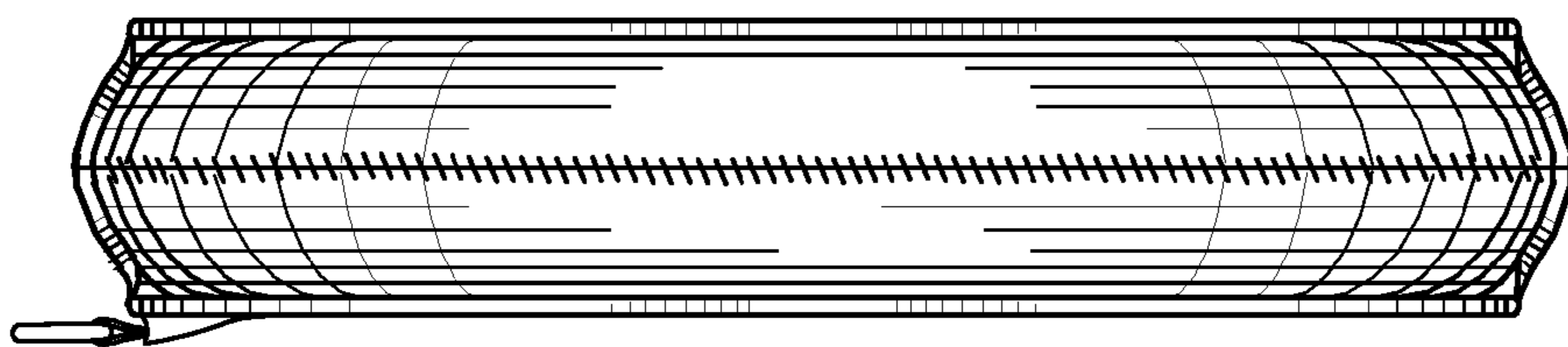


FIG. 5

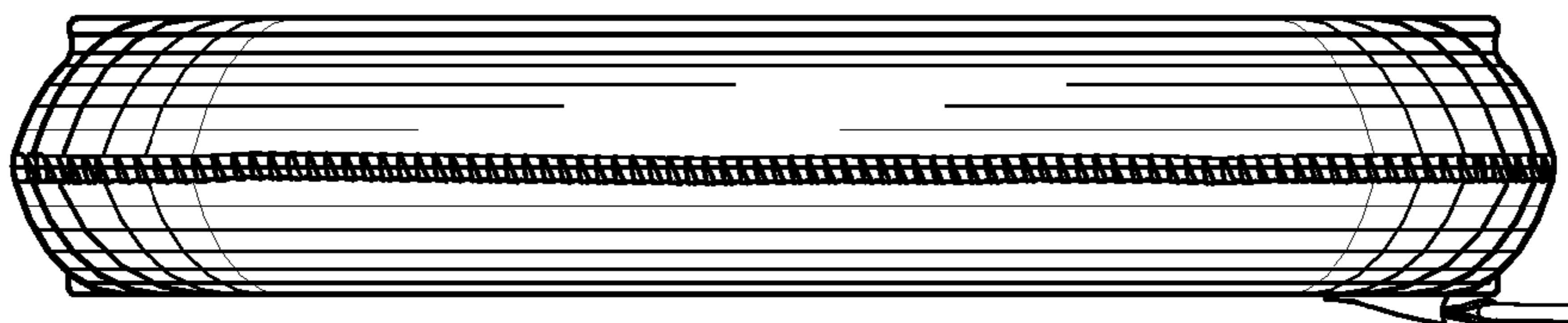


FIG. 6

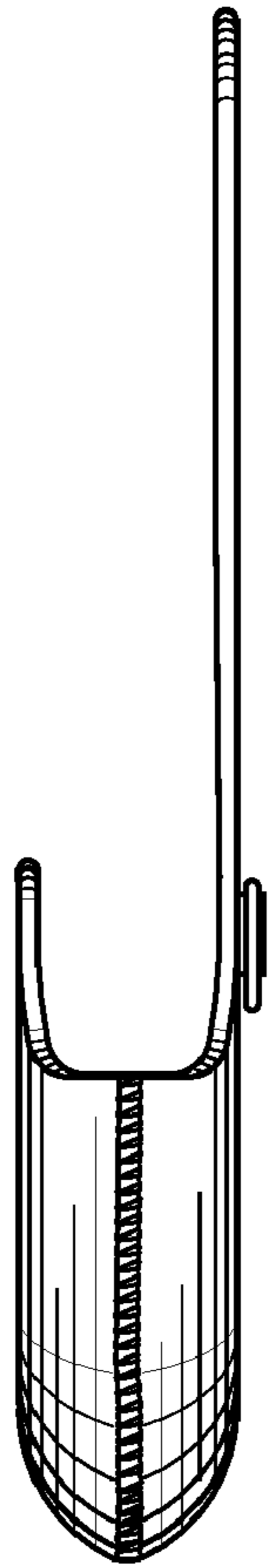


FIG. 7

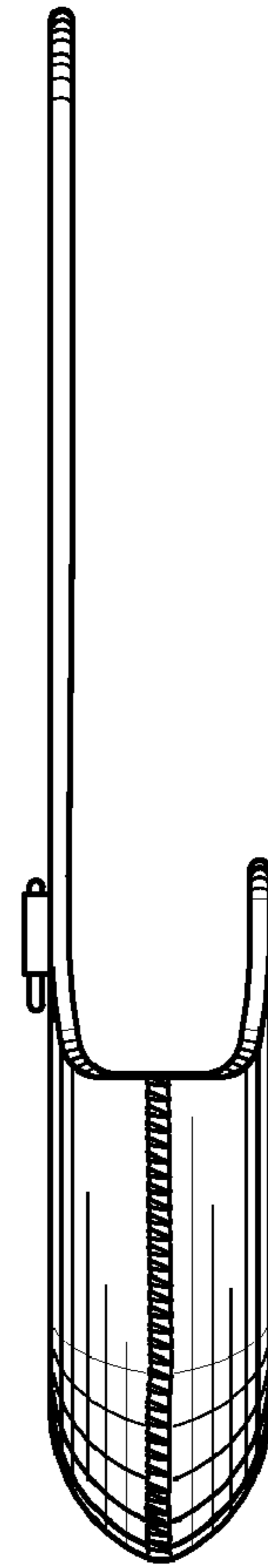


FIG. 8