

US00D632070S

(12) **United States Design Patent**
Clark

(10) **Patent No.:** **US D632,070 S**
(45) **Date of Patent:** **** Feb. 8, 2011**

(54) **CADDY FOR WALKING CRUTCH**

(76) **Inventor:** **David D. Clark**, W. 3278 Highway 59,
Whitewater, WI (US) 53190

(**) **Term:** **14 Years**

(21) **Appl. No.:** **29/313,666**

(22) **Filed:** **Jan. 30, 2009**

(51) **LOC (9) Cl.** **03-03**

(52) **U.S. Cl.** **D3/10; D3/11**

(58) **Field of Classification Search** D3/10-11,
D3/230, 232-233, 243, 273-274, 280-282,
D3/290-291, 294-295, 299, 303, 315; D34/17-18,
D34/24, 27; 150/100, 107-108, 110, 112,
150/118-119; 224/407, 409, 411

See application file for complete search history.

(56) **References Cited**

U.S. PATENT DOCUMENTS

146,973	A *	2/1874	Albert	150/112
D273,913	S *	5/1984	Nordstrom et al.	D3/319
D324,297	S	3/1992	Cline, III		
5,101,845	A	4/1992	Kravetz		
D336,367	S *	6/1993	Morton	D3/303
5,465,884	A	11/1995	Bohl et al.		
5,526,836	A	6/1996	Sigsworth		
D380,087	S *	6/1997	Roth	D3/243
5,642,749	A	7/1997	Perryman		
D382,393	S	8/1997	Tyler		
D409,346	S *	5/1999	Hurt	D34/24
D411,654	S	6/1999	Olkey et al.		
D417,779	S *	12/1999	De Baschmakoff	D3/243

6,026,833	A	2/2000	Conte		
D469,606	S *	2/2003	Su	D3/290
6,634,531	B2	10/2003	Conte		
D498,586	S *	11/2004	Perez-Duran	D3/221
6,942,130	B1	9/2005	Duva		
D512,559	S	12/2005	Silverman		
D515,497	S *	2/2006	Watson	D12/416
D520,747	S *	5/2006	McClain	D3/303
D558,450	S *	1/2008	McMillan	D3/254
D595,051	S *	6/2009	Namey	D3/232

* cited by examiner

Primary Examiner—Philip S Hyder

Assistant Examiner—Roselyne Cody

(74) *Attorney, Agent, or Firm*—Montgomery Patent and Design; Robert C. Montgomery

(57) **CLAIM**

The ornamental design for a caddy for walking crutch, as shown and described.

DESCRIPTION

FIG. 1 is a perspective view of a caddy for walking crutch, showing my new design;

FIG. 2 is a front view thereof;

FIG. 3 is a rear view thereof;

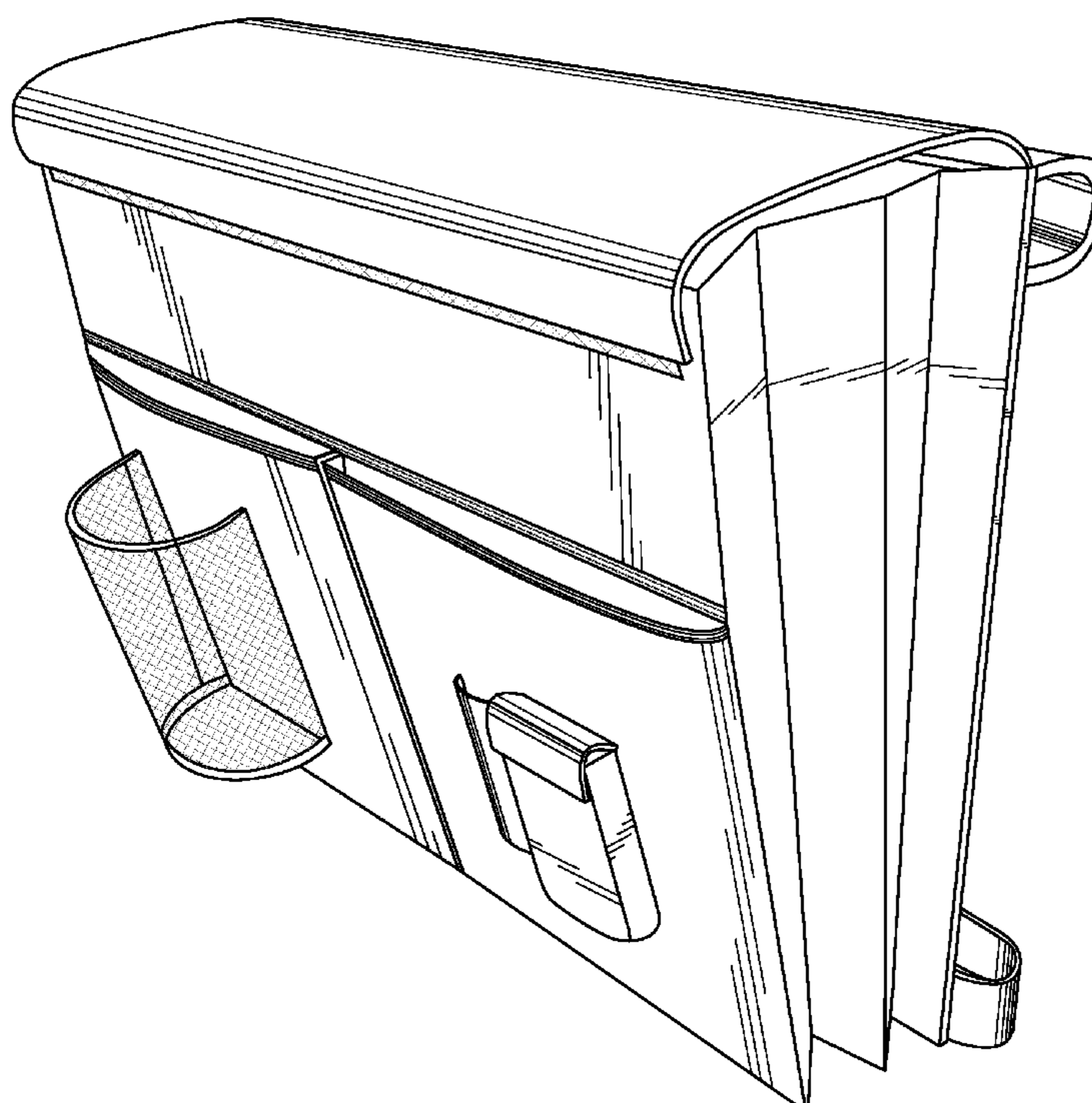
FIG. 4 is a right side view thereof;

FIG. 5 is a left side view thereof;

FIG. 6 is a top view thereof; and,

FIG. 7 is a bottom view thereof.

1 Claim, 6 Drawing Sheets



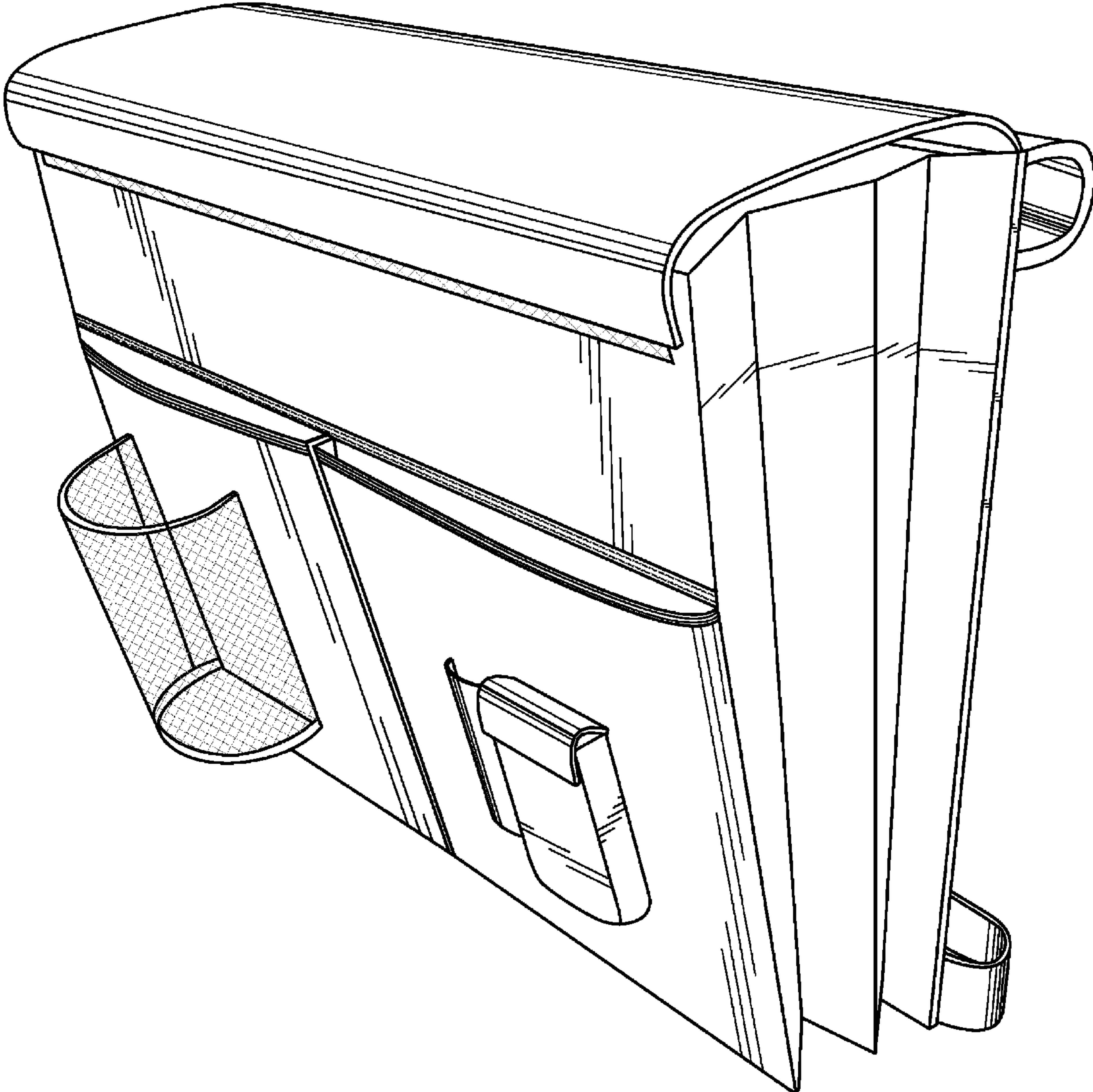


Fig. 1

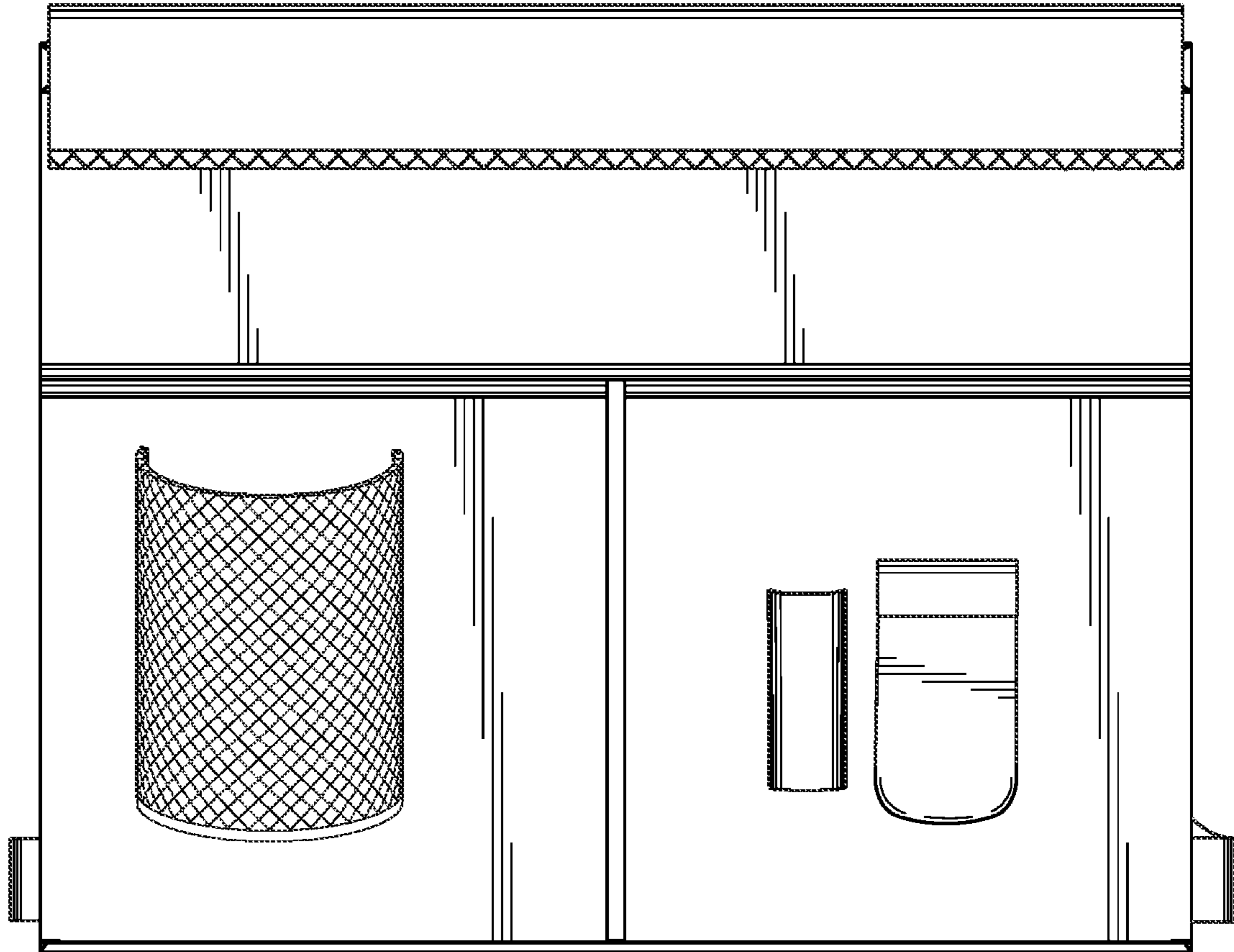


Fig. 2

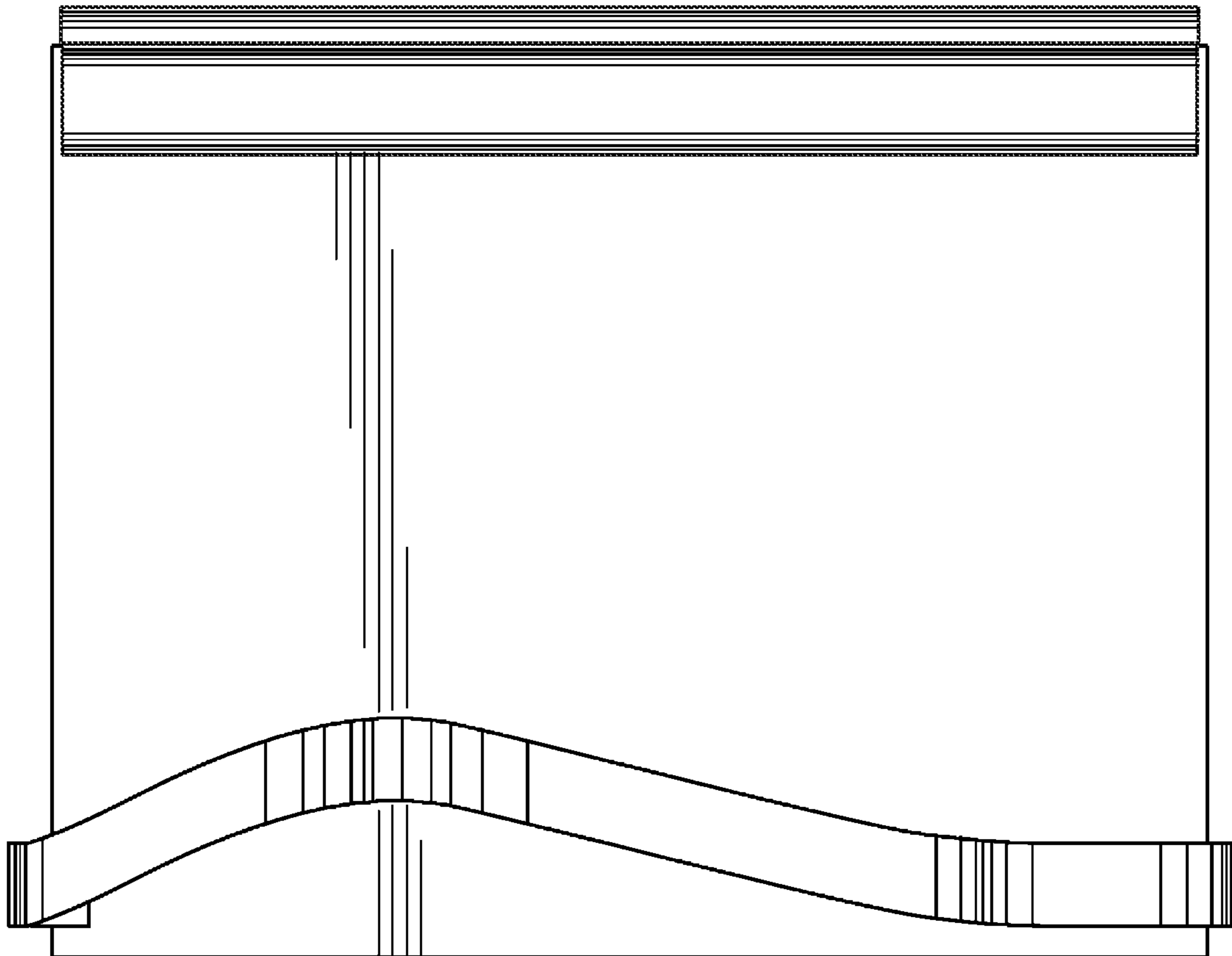


Fig. 3

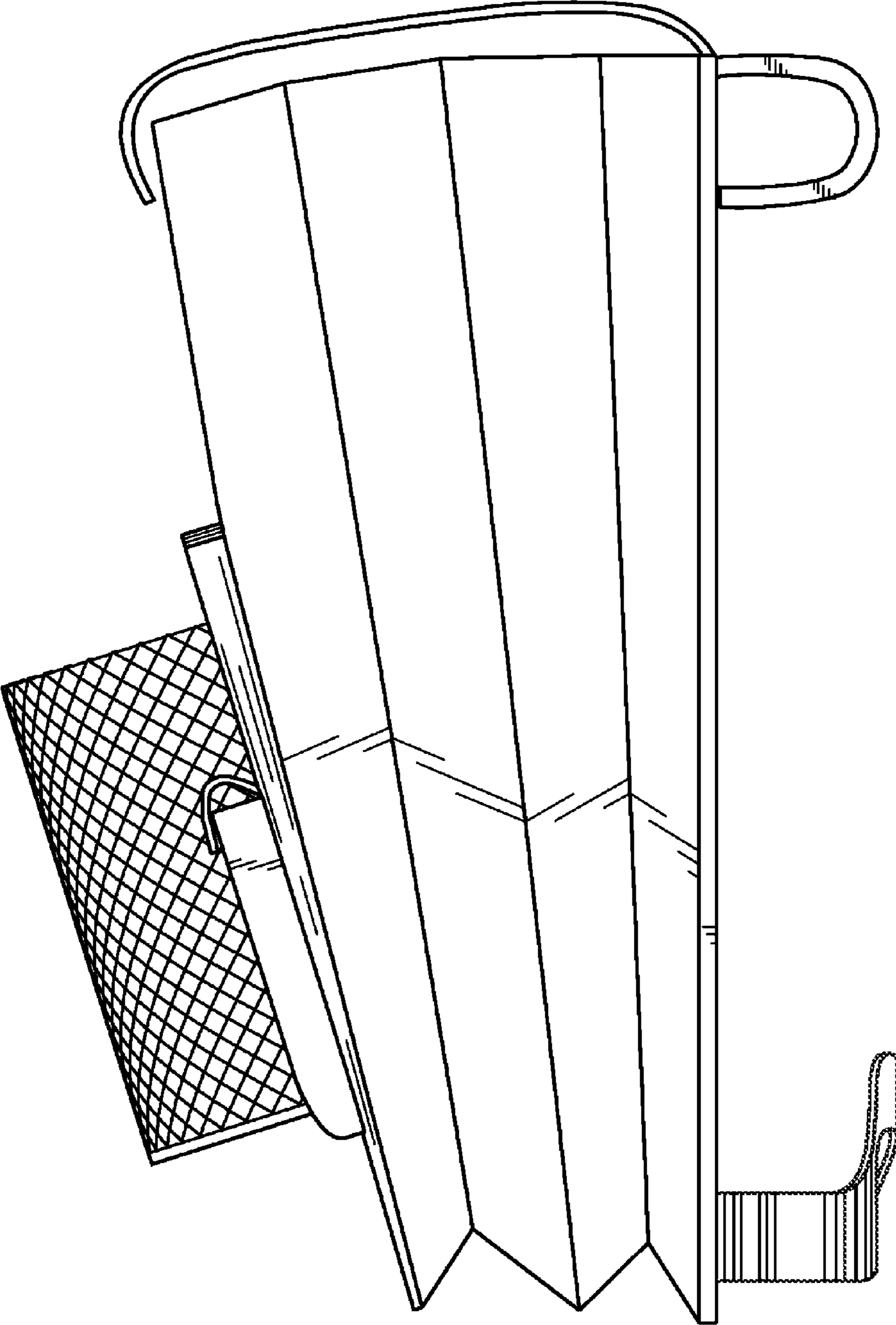


Fig. 4

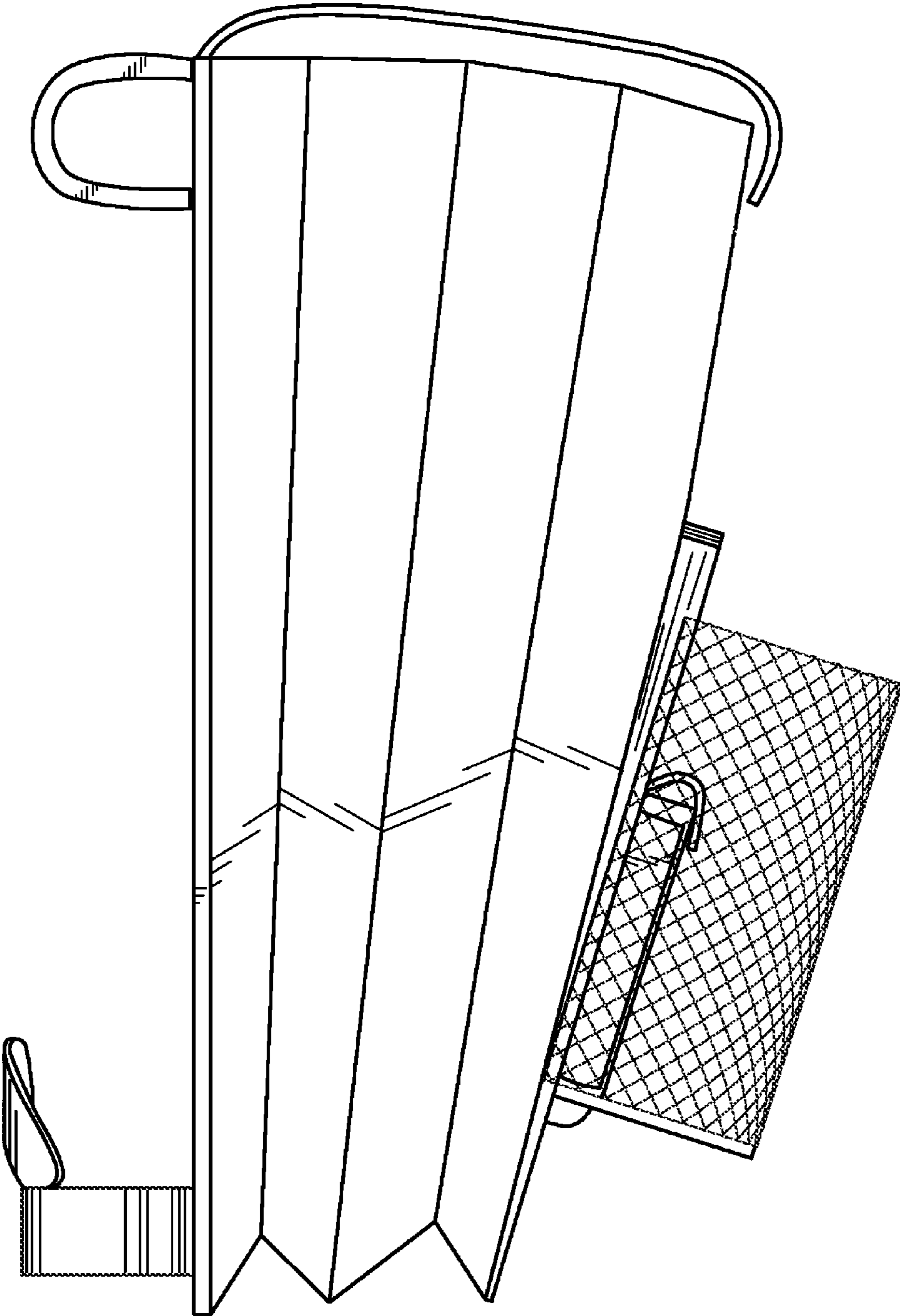


Fig. 5

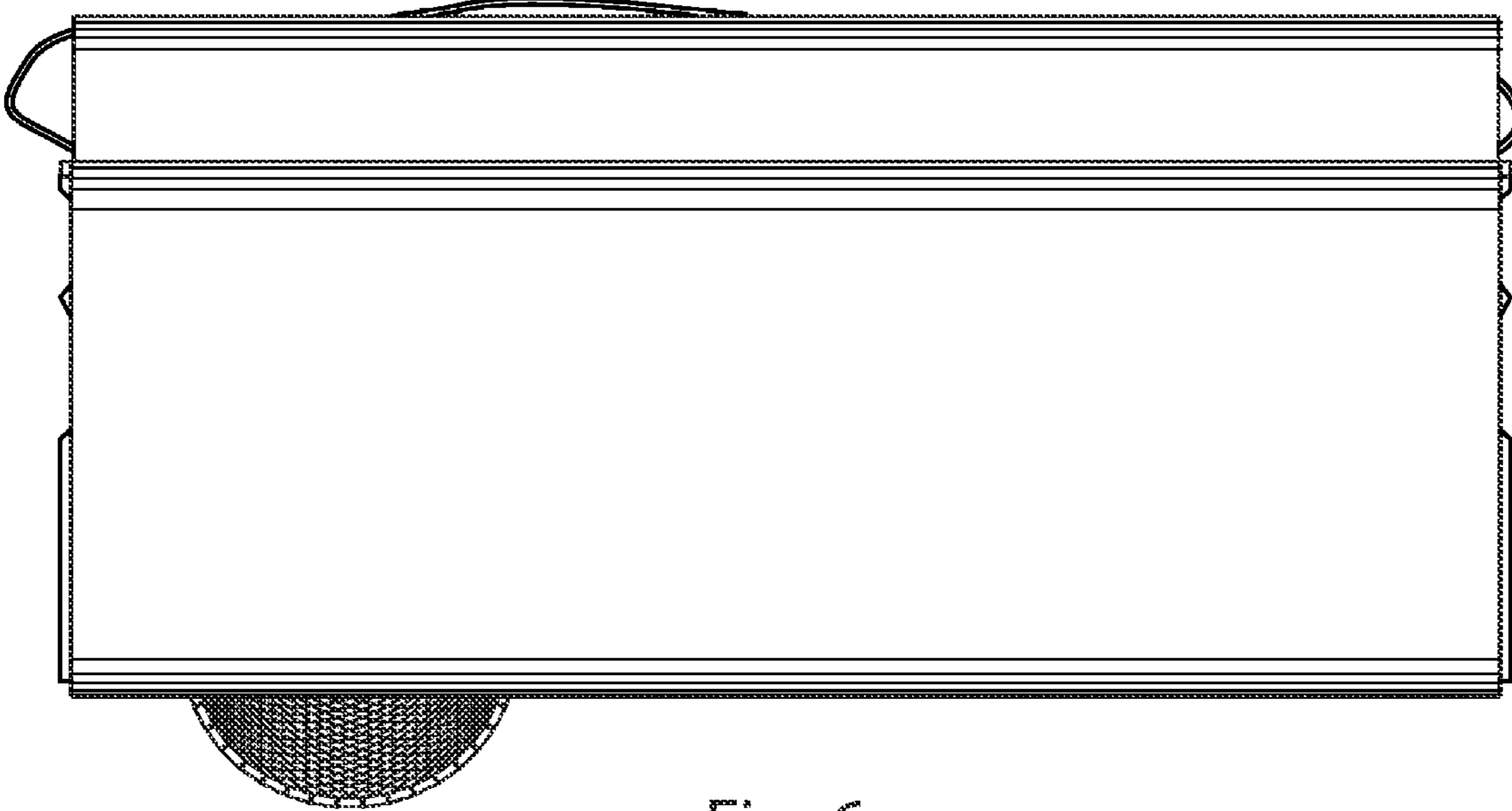


Fig. 6

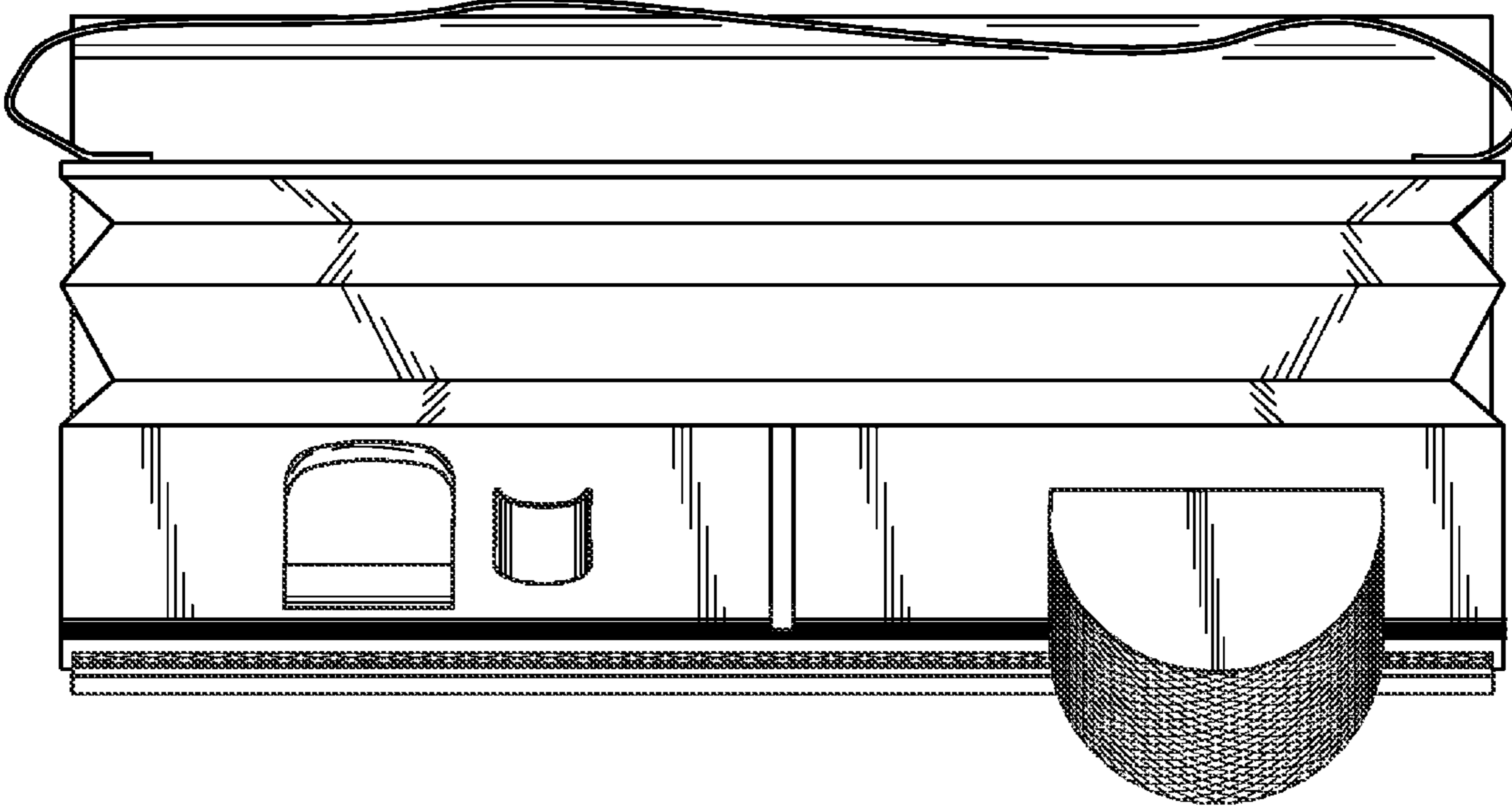


Fig. 7