



US00D632043S

(12) **United States Design Patent**  
**Rouillard et al.**

(10) **Patent No.:** **US D632,043 S**

(45) **Date of Patent:** **\*\* Feb. 1, 2011**

(54) **CLEANING SYSTEM TROLLEY**

D468,880 S \* 1/2003 Porter ..... D34/17  
D485,037 S \* 1/2004 Presnell et al. .... D34/21  
7,104,556 B1 9/2006 Young

(75) Inventors: **Carol A. Rouillard**, Loveland, OH (US);  
**Andrew M. Bober**, Racine, WI (US);  
**Alfred Adolf Widmer**, Wil (CH);  
**Andrew R. J. Russell**, Bourn (GB);  
**Dave Clark**, Welwyn Garden (GB);  
**Roderick J. McBrien**, Leamington Spa  
(GB)

(Continued)

**FOREIGN PATENT DOCUMENTS**

EP 1279582 1/2003

**OTHER PUBLICATIONS**

International Search Report prepared by the Korean Intellectual  
Property Office.

(Continued)

*Primary Examiner*—Cynthia E Ramirez

(74) *Attorney, Agent, or Firm*—Gregory S. Bollis

(73) Assignee: **Diversey, Inc.**, Sturtevant, WI (US)

(\*\*) Term: **14 Years**

(21) Appl. No.: **29/350,837**

(22) Filed: **Nov. 24, 2009**

(51) **LOC (9) Cl.** ..... **12-02**

(52) **U.S. Cl.** ..... **D34/21**

(58) **Field of Classification Search** ..... D34/1-27;  
280/47.34, 47.35, 79.2, 79.3, 47.26, 79.5

See application file for complete search history.

(57) **CLAIM**

The ornamental design for a cleaning system trolley, as shown  
and described.

**DESCRIPTION**

FIG. 1 is a perspective view of a cleaning system trolley  
constructed in accordance with an embodiment of the present  
invention;

FIG. 2 is a left side view of the cleaning system trolley shown  
in FIG. 1;

FIG. 3 is a right side view of the cleaning system trolley  
shown in FIGS. 1 and 2;

FIG. 4 is a front view of the cleaning system trolley shown in  
FIGS. 1-3;

FIG. 5 is a rear view of the cleaning system trolley shown in  
FIGS. 1-4;

FIG. 6 is a top view of the cleaning system trolley shown in  
FIGS. 1-5; and,

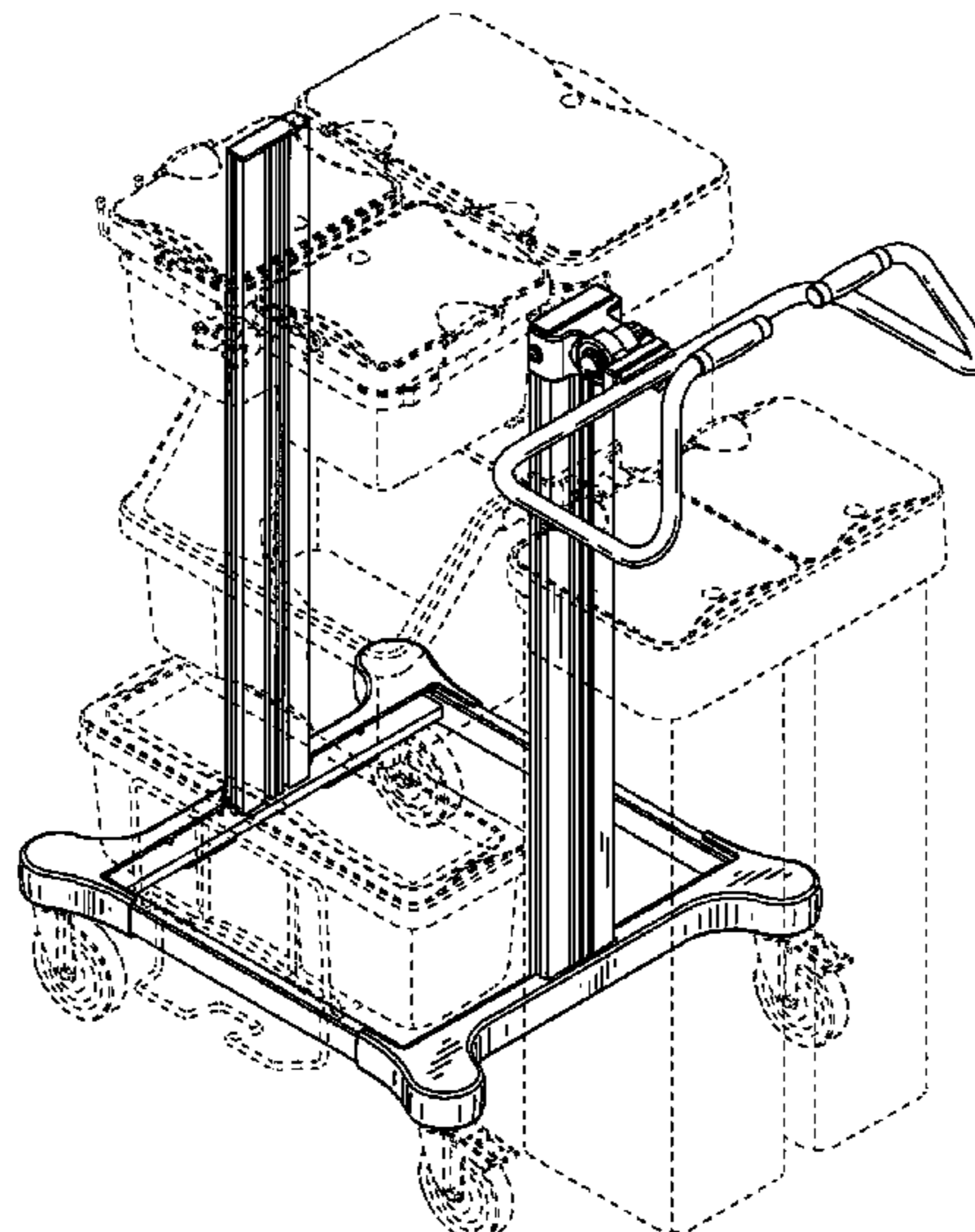
FIG. 7 is a bottom view of the cleaning system trolley shown  
in FIGS. 1-6.

(56) **References Cited**

**U.S. PATENT DOCUMENTS**

1,391,408	A	9/1921	Robbins	
4,068,891	A	1/1978	Herbst	
D273,242	S *	3/1984	Maza et al.	..... D34/21
4,632,461	A	12/1986	Randolph	
4,707,877	A	11/1987	Griffin	
4,743,040	A *	5/1988	Breveglieri et al.	..... 280/47.35
4,754,518	A	7/1988	Griffin	
5,090,785	A	2/1992	Stamp	
5,348,222	A	9/1994	Patey	
5,713,583	A	2/1998	Hansen	
5,716,116	A	2/1998	Carlson et al.	
5,913,528	A	6/1999	Kresse et al.	
D426,691	S *	6/2000	Johnson et al.	..... D34/21
6,176,559	B1	1/2001	Tiramani et al.	
6,259,067	B1	7/2001	Faries, Jr. et al.	
D447,847	S *	9/2001	Shyshka et al.	..... D34/21

**1 Claim, 6 Drawing Sheets**



U.S. PATENT DOCUMENTS

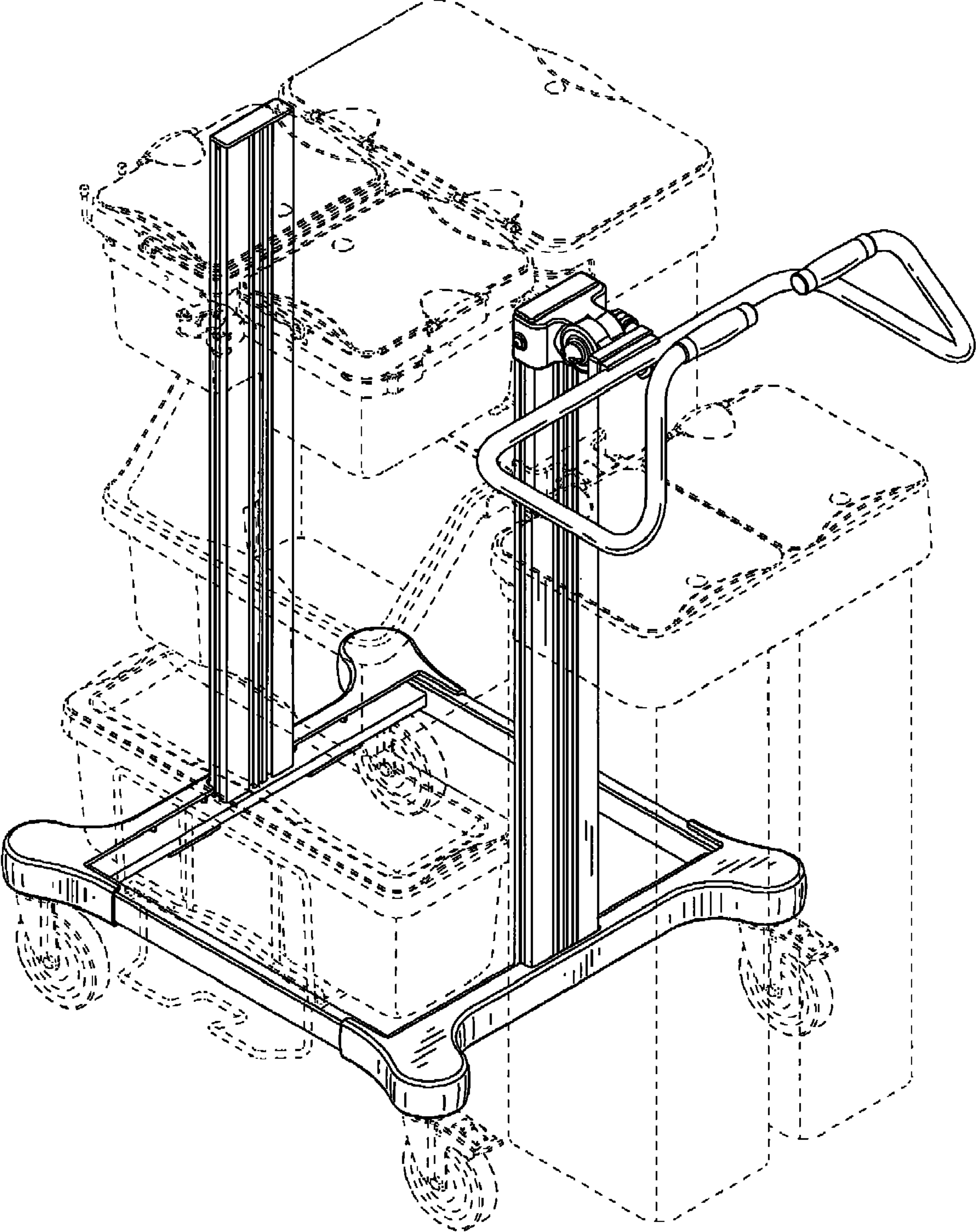
D555,870 S \* 11/2007 Zorzo ..... D34/14  
 D556,417 S \* 11/2007 Zorzo ..... D34/21  
 D575,922 S \* 8/2008 Presnell ..... D34/27  
 D589,671 S \* 3/2009 Rolim De Oliveira ..... D34/17  
 2002/0070517 A1 6/2002 Ramsey  
 2002/0109318 A1 8/2002 Calmeise et al.  
 2006/0163827 A1 7/2006 Lauer et al.  
 2007/0140774 A1 6/2007 Dyer et al.  
 2007/0267832 A1 11/2007 Denisso

OTHER PUBLICATIONS

Vileda Origo Website, Vileda Professional, <http://www.origo.vileda.com/>.  
 Ecolab Professional Products Website, <http://rasantec.de/de/html/pal/index.html>.  
 Rubbermaid, 9T73 Rubbermaid HYGEN Microfiber Cleaning Cart, Rubbermaid Commercial Products, available online at: <http://www.rcpworksmarter.com/rcp/products/detail.jsp?rcpNum=9T73>, available at least as early as Feb. 19, 2008.  
 Rubbermaid, 9T75 High Security Cleaning Cart, Rubbermaid Commercial Products, available online at: <http://www.rcpworksmarter.com/rcp/products/detail.jsp?rcpNum=9T75>, available at least as early as Feb. 19, 2008.  
 AnytimeProducts.com, Wire Shelving Unit with Casters and 4", 6", and 8" Wide Bins, available at least as early as Jun. 25, 2008.

AnytimeProducts.com, Tilt and Lock Plastic Bins, available at least as early as Jun. 25, 2008.  
 AnytimeProducts.com, Welded Mobile Bench Cabinets, available at least as early as Jun. 25, 2008.  
 AnytimeProducts.com, A-Frame Mobile Storage Trucks, available at least as early as Jun. 25, 2008.  
 Rubbermaid, 600 lb Garden Dump Cart, available at least as early as Jun. 25, 2008.  
 Rubbermaid, 6180-88 Trades Cart with Locking Cabinet Includes 2 Parts Boxes and 4 Parts Bins, Rubbermaid Commercial Products, Material Handling > Utility & Service Carts, available at least as early as Jun. 25, 2008.  
 Rubbermaid, 9T74 Microfiber Cleaning Cart with Color-Coded Pails, Rubbermaid Commercial Products, Cleaning > Cleaning Carts, available at least as early as Jun. 25, 2008.  
 ShelfSpace eShop, CS/P/055, Metabin Single Wire Hooks, Available at least as early as Jun. 25, 2008.  
 Shelf Space eShop, CS/P/019, Metabin Double Sided Trolley 1000x1000mm + Bins, available at least as early as Jun. 25, 2008.  
 Global Industrial, Aluminum 3 Tote Box Cart, Bins, Totes, & Containers, Bin & Tote Carts, available at least as early as Jun. 25, 2008.  
 VERMOP—Professional Cleaning Systems, Shopster, VERMOP Salmon GmbH—Professionelle Reinigungssysteme, available at least as early as May 28, 2010.

\* cited by examiner



**FIG. 1**

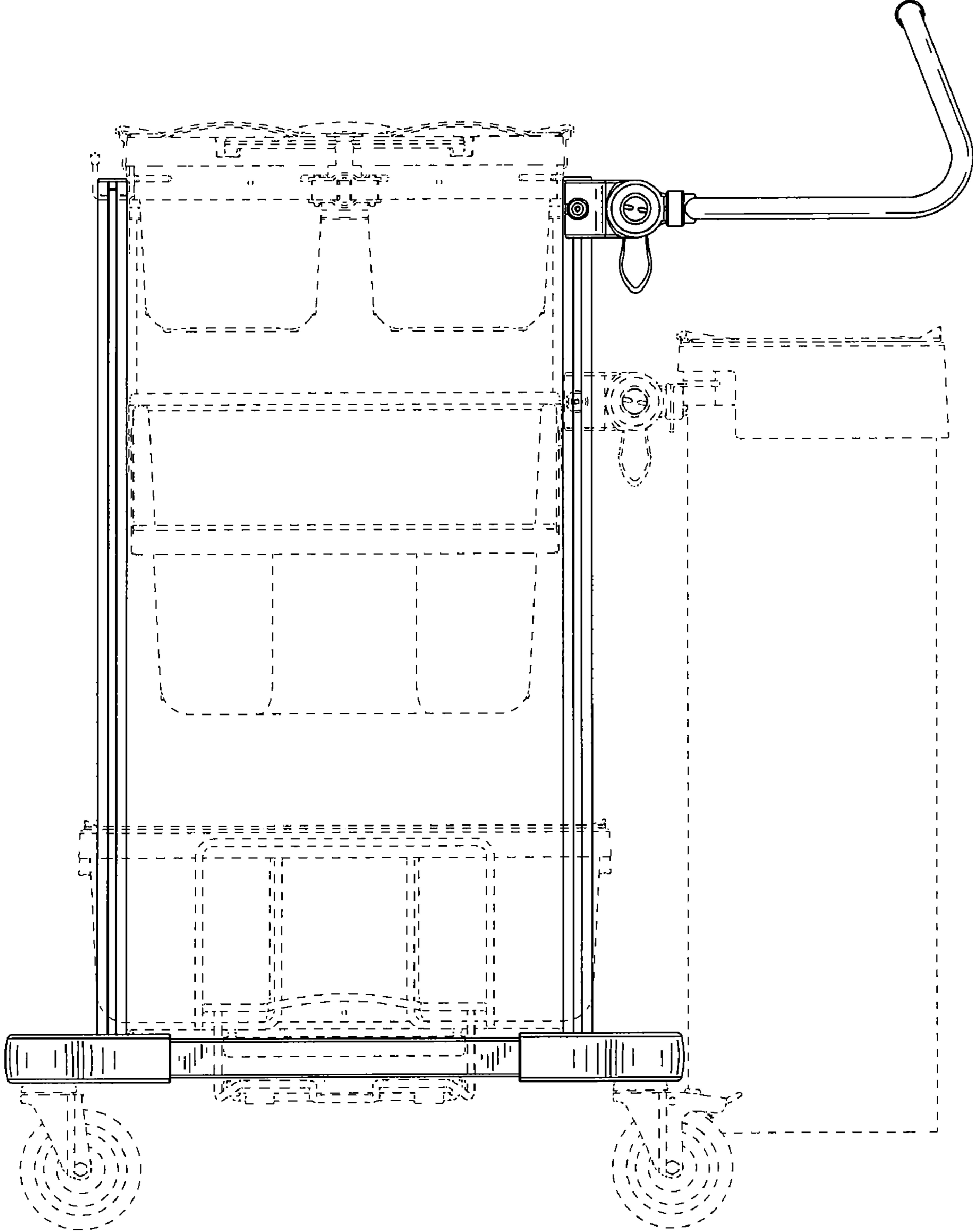


FIG. 2

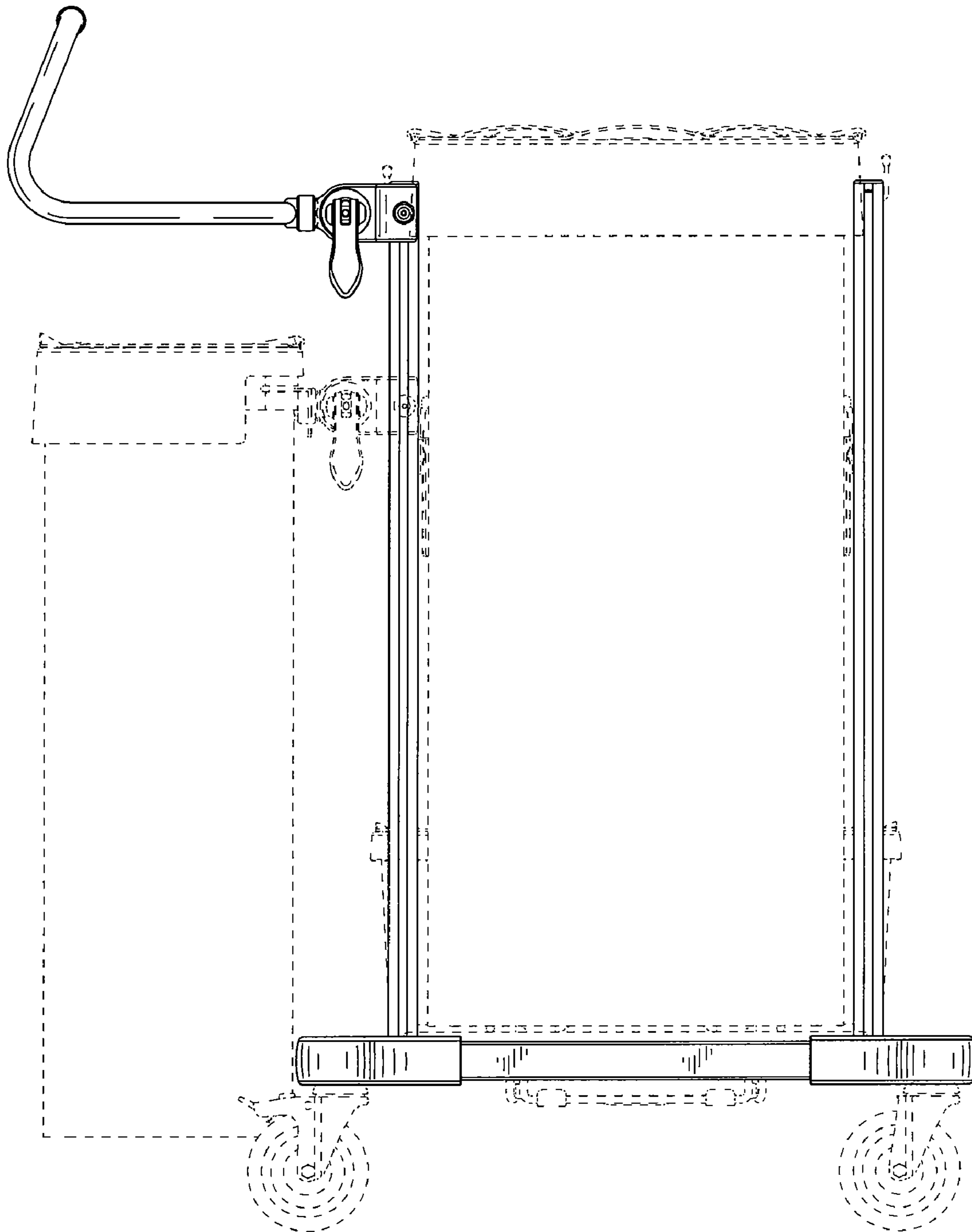


FIG. 3

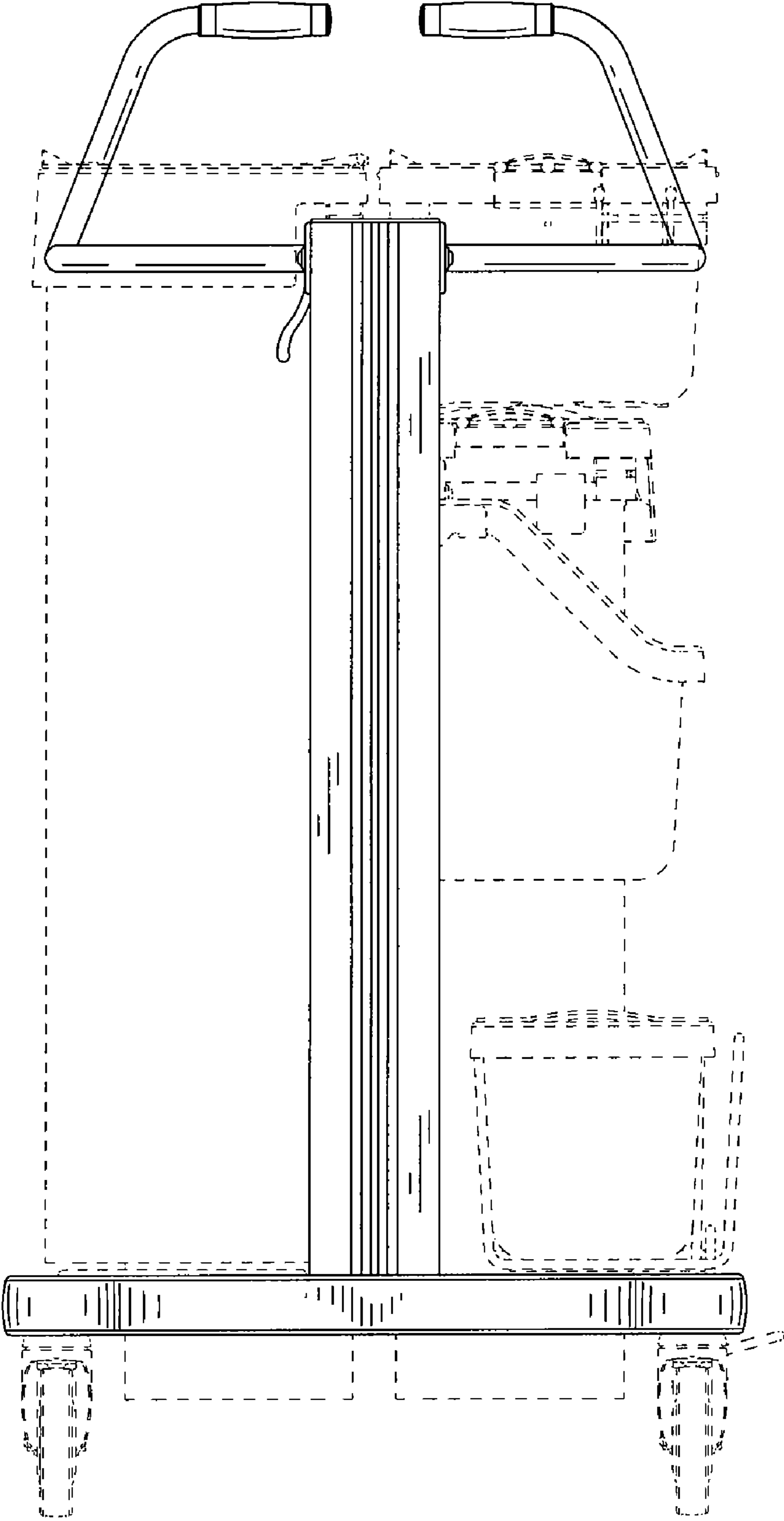
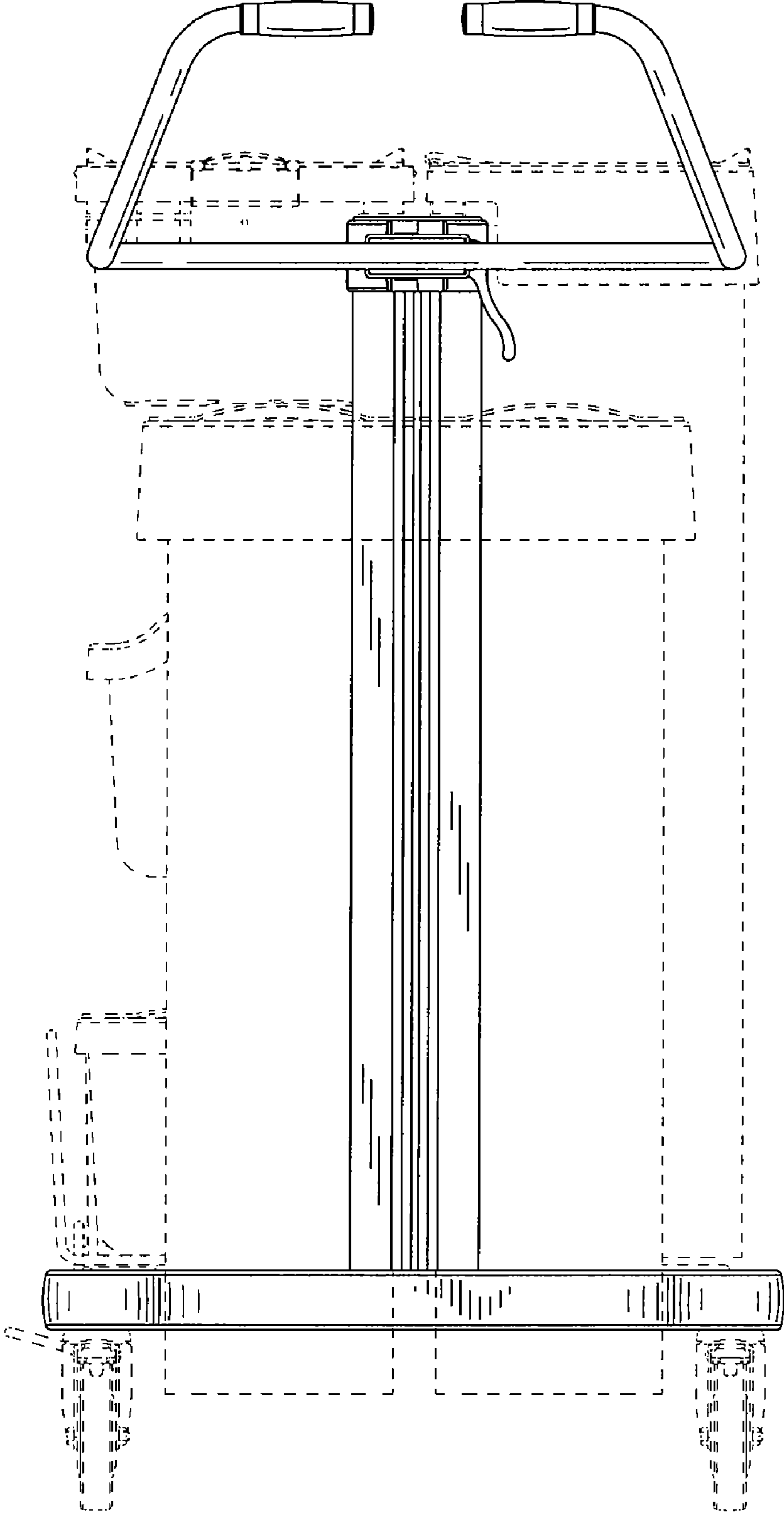


FIG. 4



**FIG. 5**

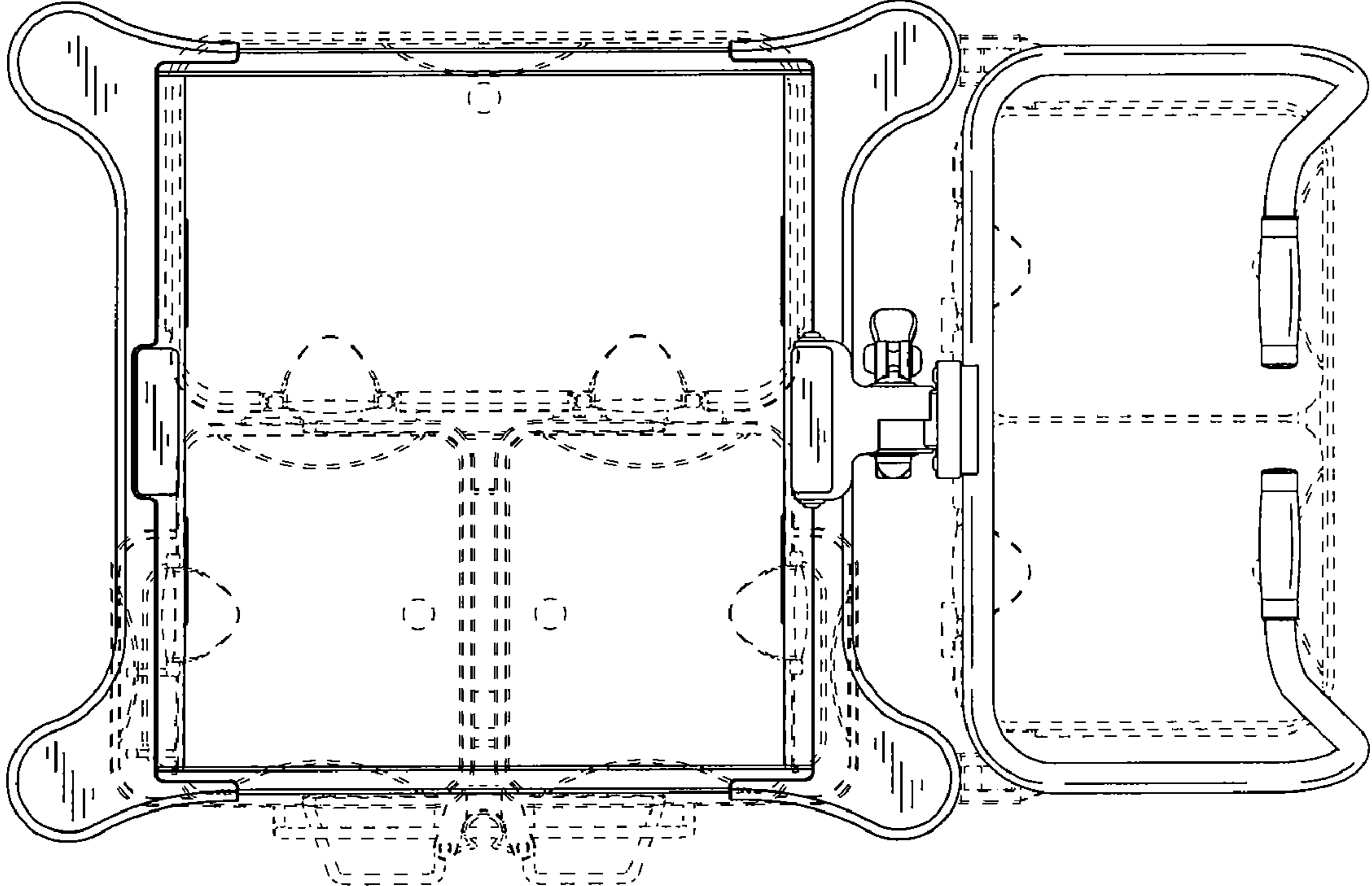


FIG. 6

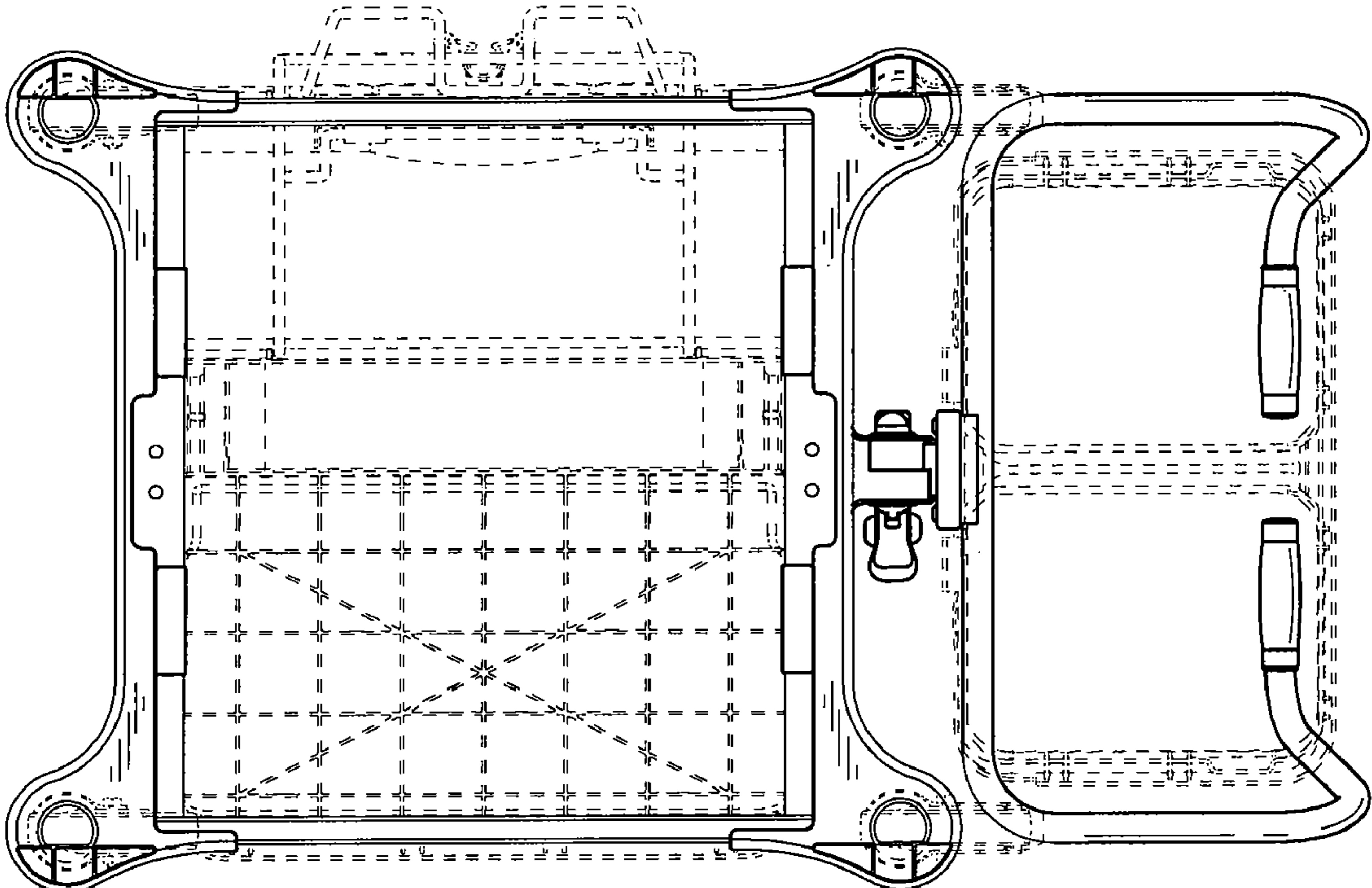


FIG. 7