



US00D632042S

(12) **United States Design Patent**
Hittle et al.

(10) **Patent No.:** **US D632,042 S**
(45) **Date of Patent:** **** Feb. 1, 2011**

(54) **CYLINDER CART WITH LOWERING LEVER**

(75) Inventors: **David Christopher Hittle**, 3282 Fernan
Ter., Couer D Alene, ID (US) 82814;
Vance Kinchen, Post Falls, ID (US);
Todd Earl Gregg, Spokane, WA (US)

(73) Assignees: **Complete Turn Carts, LLC**, Rushville,
IN (US); **David Christopher Hittle**

(**) Term: **14 Years**

(21) Appl. No.: **29/356,674**

(22) Filed: **Mar. 1, 2010**

(51) **LOC (9) Cl.** **12-02**

(52) **U.S. Cl.** **D34/18**

(58) **Field of Classification Search** D34/12-27;
280/47.18, 47.19, 47.26, 47.27, 47.34, 5.32,
280/654, 79.11, 79.3

See application file for complete search history.

(56) **References Cited**

U.S. PATENT DOCUMENTS

2,342,430	A	2/1944	Shackleton et al.	
2,477,294	A	7/1949	Fuller	
2,609,950	A	9/1952	Chambers	
2,654,493	A	10/1953	Kernkamp	
D189,814	S	2/1961	Smith	
D201,354	S *	6/1965	Jones	D34/15
3,711,111	A	1/1973	Crawford	
4,205,937	A	6/1980	Fawley	
D441,935	S *	5/2001	Cook	D34/24
6,224,071	B1	5/2001	Dummer	
D451,257	S *	11/2001	Moritsch	D34/24
D465,313	S	11/2002	Le Marchand	
D473,989	S	4/2003	Hittle	
D473,990	S	4/2003	Hittle	
D480,527	S *	10/2003	Kollen	D34/21

7,273,216	B1	9/2007	Hohrman	
7,357,398	B2	4/2008	O'Connor	
D612,562	S *	3/2010	Henderson	D34/24
D615,724	S *	5/2010	Girard	D34/17
2003/0205874	A1 *	11/2003	Kelly	280/47.24
2007/0292249	A1 *	12/2007	Wilson	414/444
2008/0224431	A1 *	9/2008	Reinicke	280/47.26

OTHER PUBLICATIONS

Complete Turn Carts—Cylinder/Medical Gas Cart; <http://completeturncarts.com/cylindercart.asp>, (Dec. 16, 2009); pp. 1-2.
Traction Chain Catalog, Taurean Global Chain Solutions, Taurean & Complete Turn Carts; (2009-2010), pgs. front cover, table of contents, p. 54 and back cover.

Complete Turn Carts—Cylinder/Medical Gas Cart, Model: CTC 5; <http://completeturncarts.com/CTC5-CylinderCart-12-9.asp>.

* cited by examiner

Primary Examiner—Cynthia E Ramirez

(74) *Attorney, Agent, or Firm*—Woodard, Emhardt, Moriarty, McNett & Henry LLP

(57) **CLAIM**

The ornamental design for a cylinder cart with lowering lever, as shown and described.

DESCRIPTION

FIG. 1 is a perspective view of the cylinder cart with lowering lever showing my new design;

FIG. 2 is a front elevational view thereof;

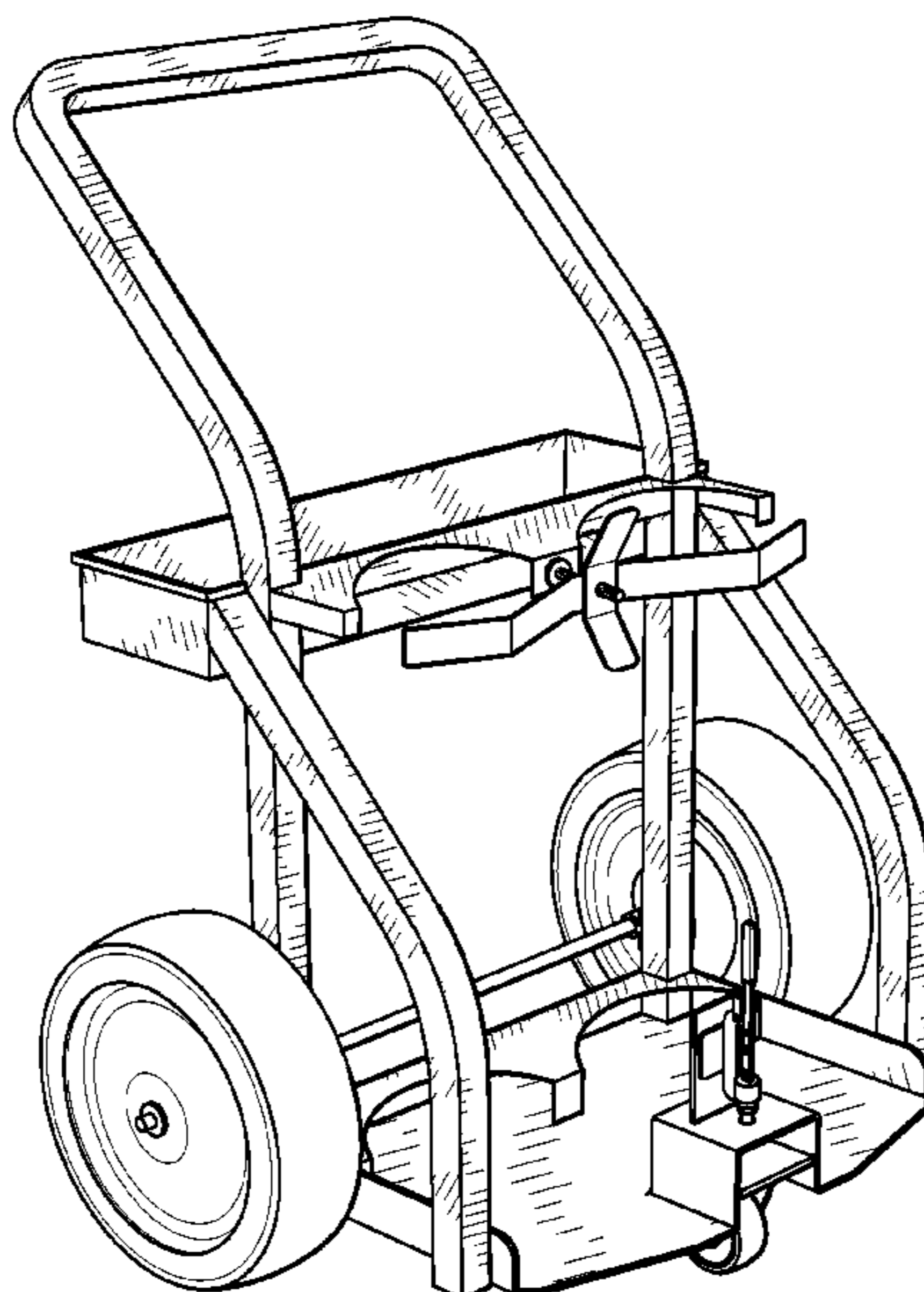
FIG. 3 is a right side elevational view thereof with the left side elevational view being a mirror image thereof;

FIG. 4 is a rear elevational view thereof;

FIG. 5 is a top plan view thereof; and,

FIG. 6 is a bottom plan view thereof.

1 Claim, 6 Drawing Sheets



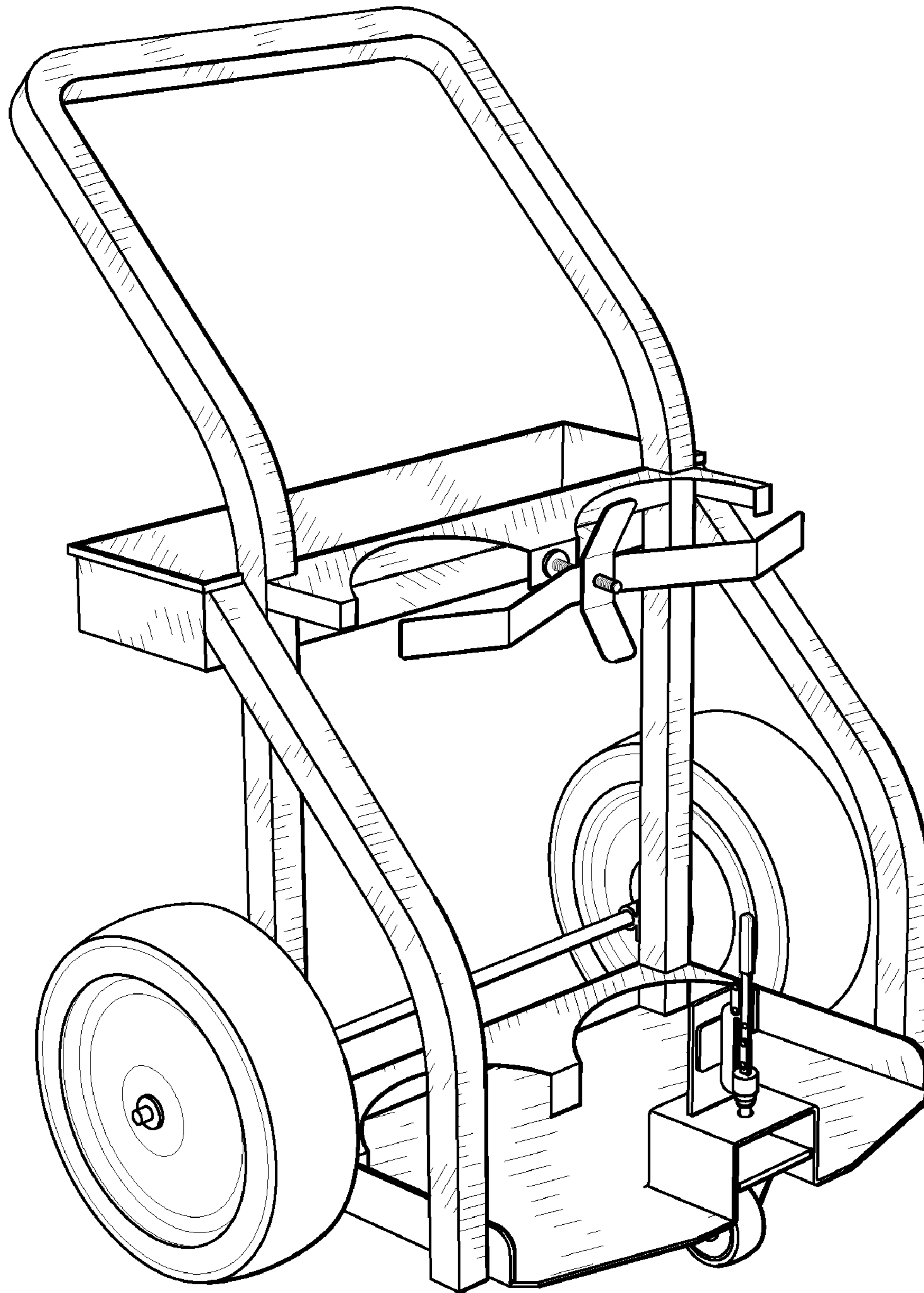


Fig. 1

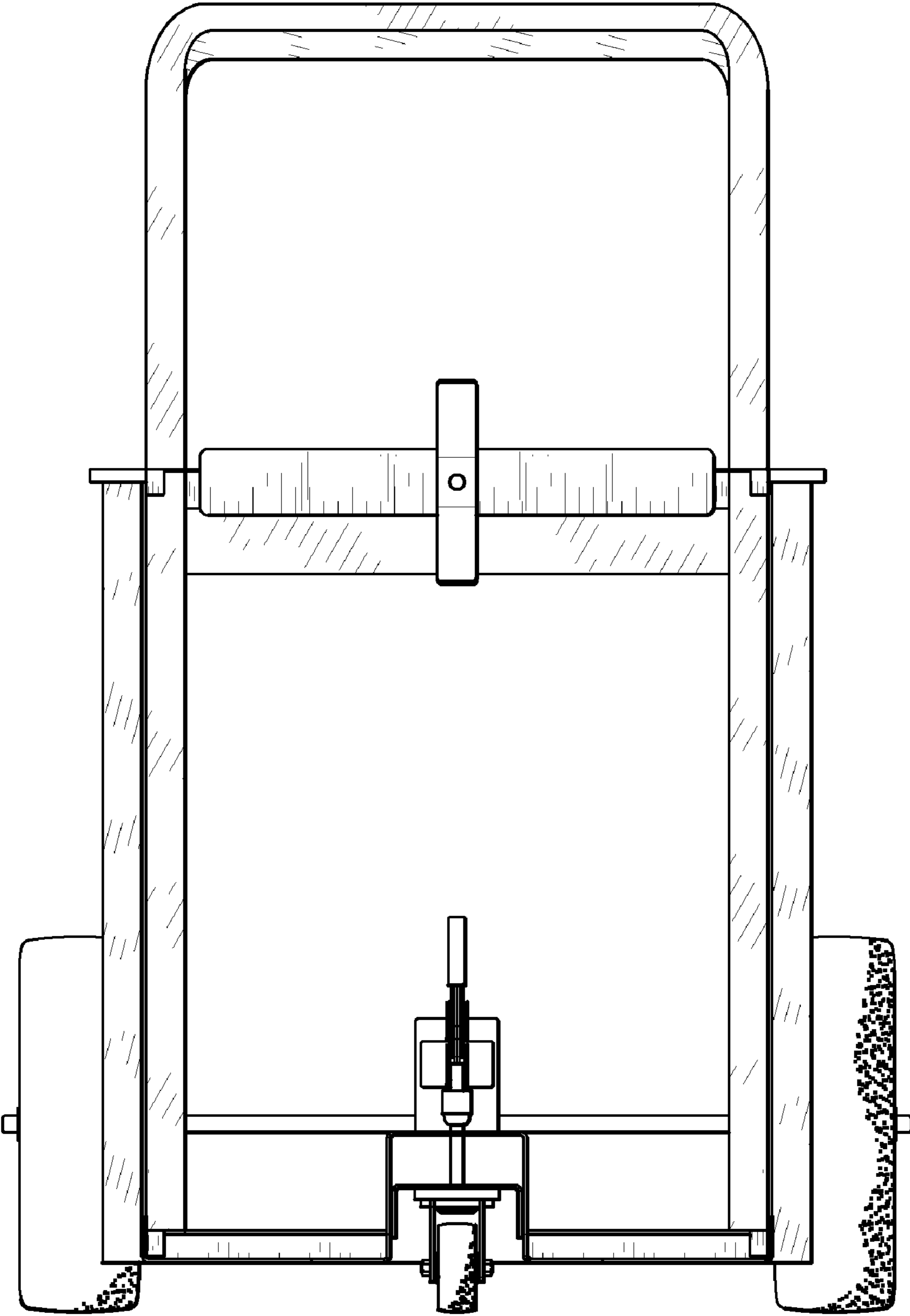


Fig. 2

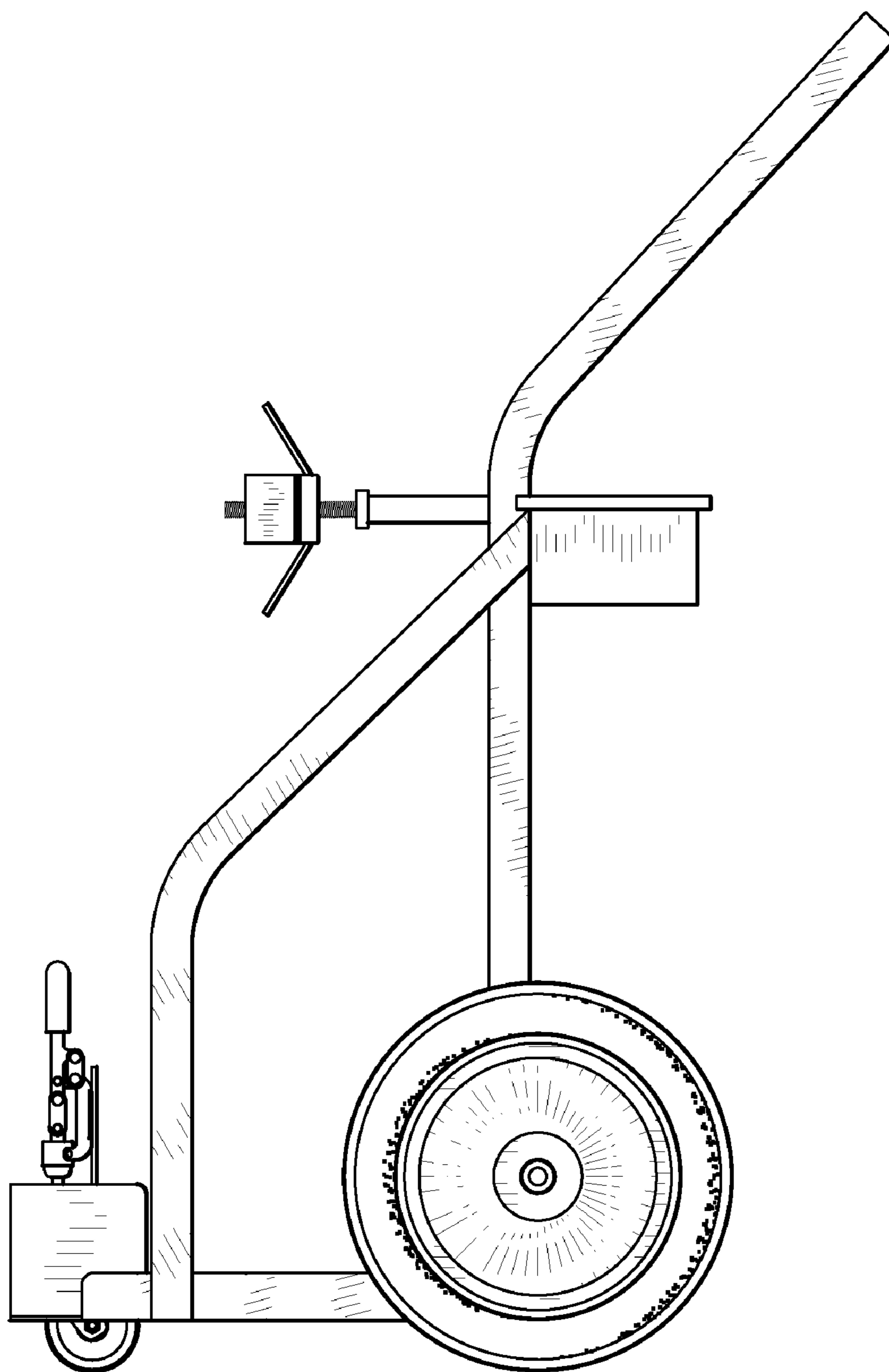


Fig. 3

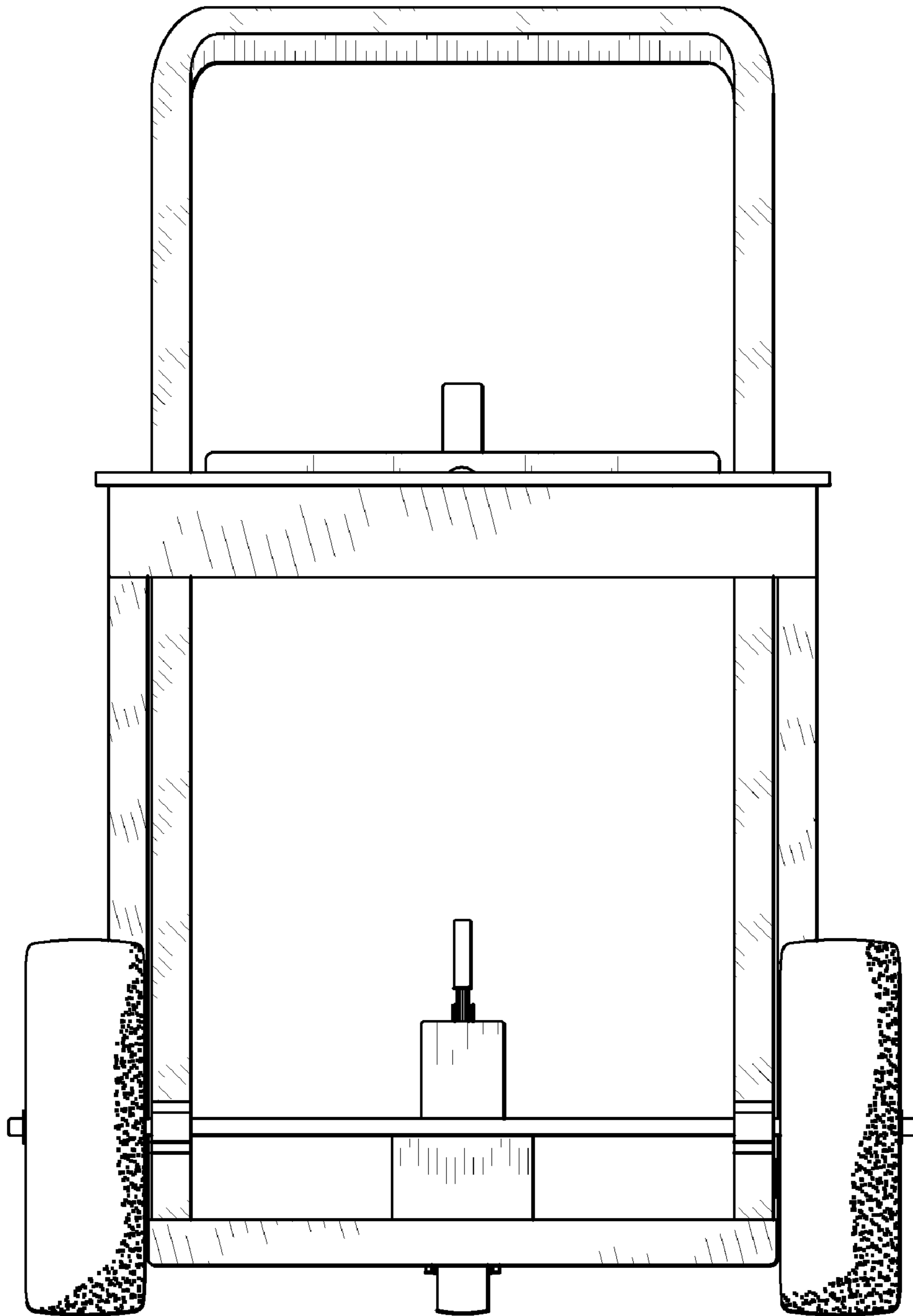


Fig. 4

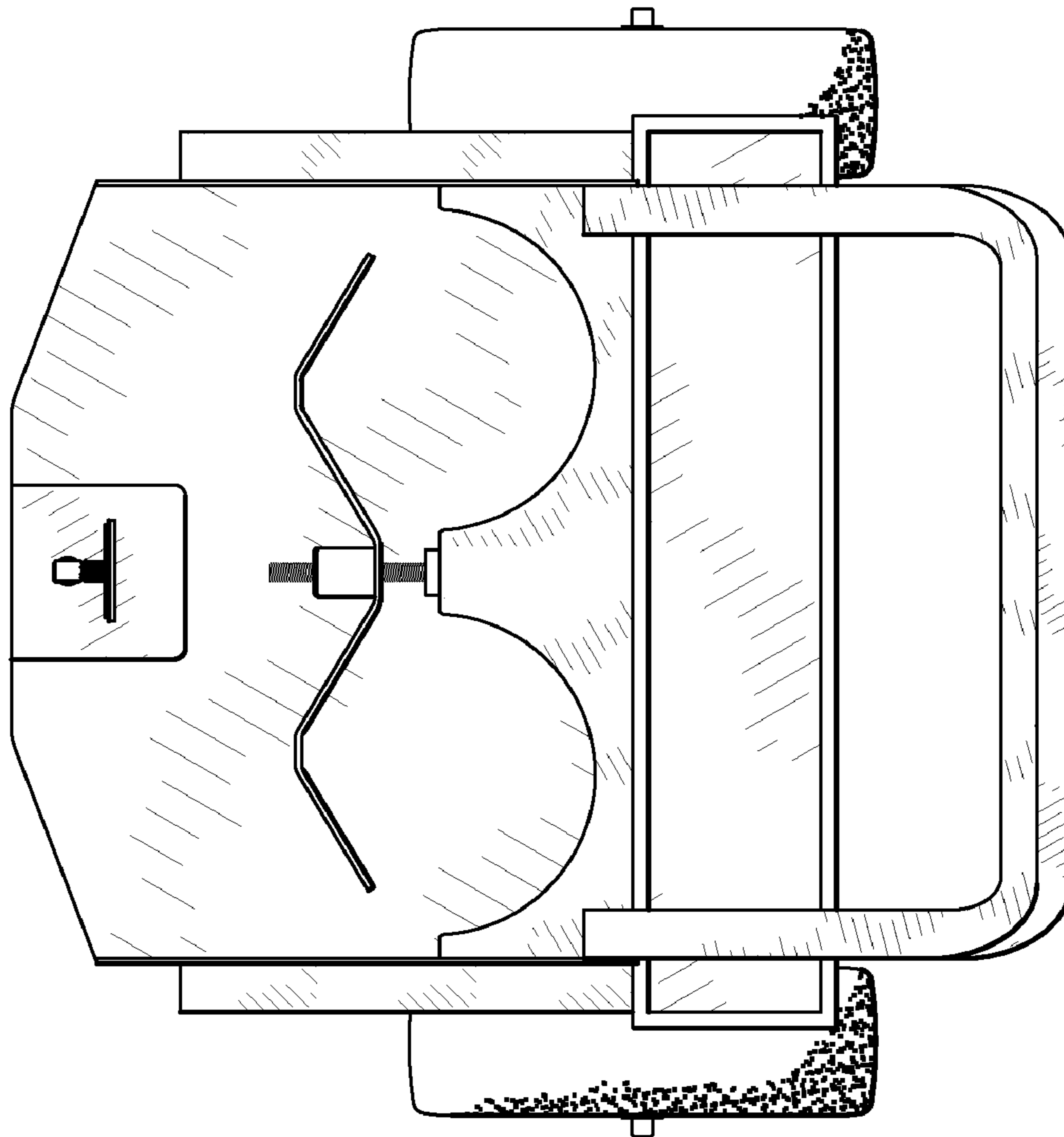


Fig. 5

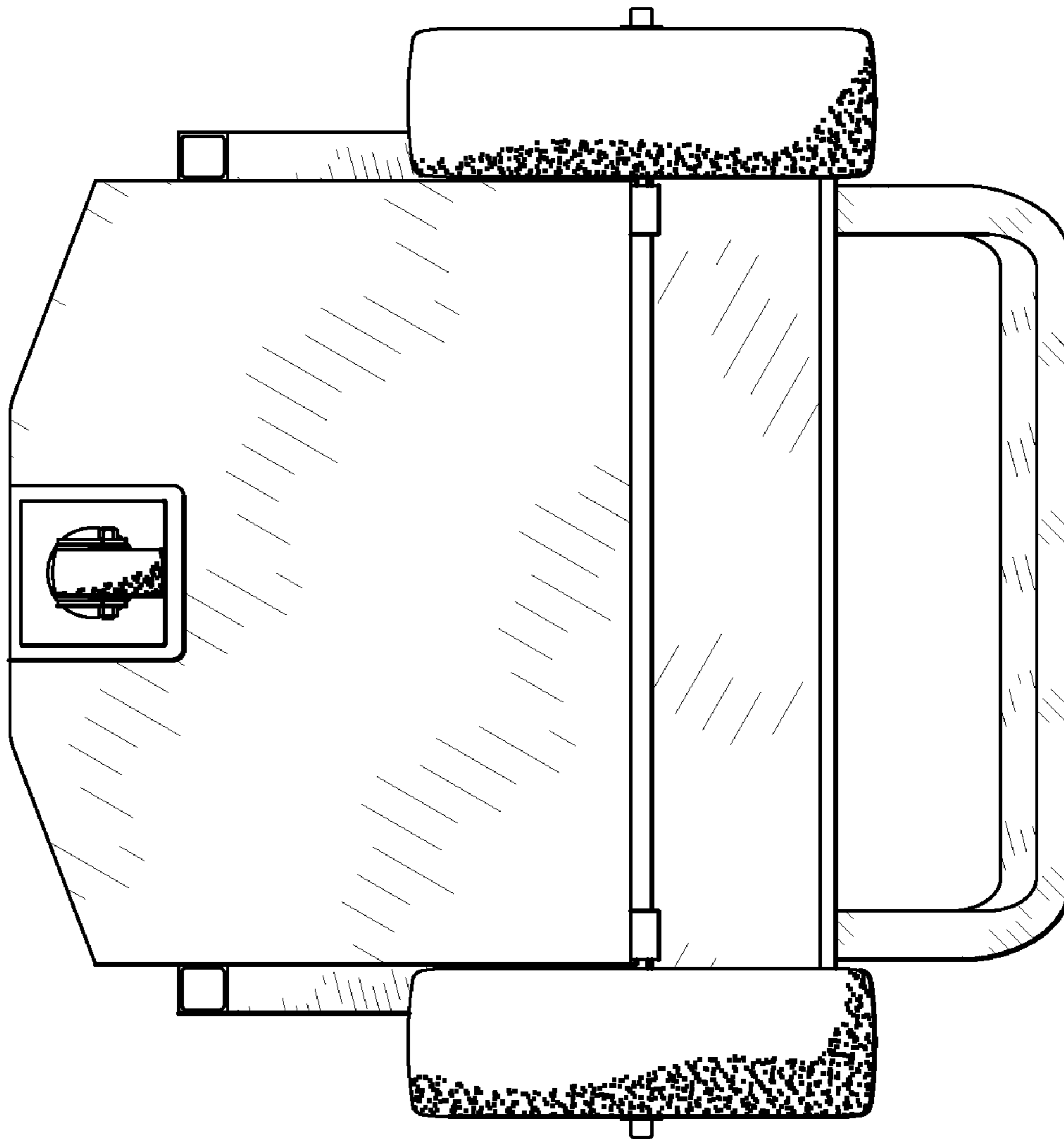


Fig. 6