



US00D632036S

(12) **United States Design Patent**
McNeil et al.

(10) **Patent No.:** **US D632,036 S**
(45) **Date of Patent:** **** Feb. 1, 2011**

(54) **VACUUM CLEANER MODULE**

(75) Inventors: **Meghan L. McNeil**, Grand Rapids, MI (US); **Michael Luyckx**, Ada, MI (US); **Douglas J. Medema**, Belding, MI (US)

(73) Assignee: **BISSELL Homecare, Inc.**, Grand Rapids, MI (US)

(**) Term: **14 Years**

(21) Appl. No.: **29/354,623**

(22) Filed: **Jan. 27, 2010**

(51) **LOC (9) Cl.** **15-05**

(52) **U.S. Cl.** **D32/31**

(58) **Field of Classification Search** D32/22,
D32/31, 15, 16, 34; 15/320, 329, 340.2,
15/335, 347, 350, 352, 353, 344, 361, 363,
15/410, 415.1

See application file for complete search history.

(56) **References Cited**

U.S. PATENT DOCUMENTS

- D418,266 S * 12/1999 Medema et al. D32/22
- 6,571,421 B1 * 6/2003 Sham et al. 15/320
- D515,259 S * 2/2006 Maruyama et al. D32/22
- D533,976 S * 12/2006 Luebbering et al. D32/31
- D544,661 S 6/2007 Santiago et al.
- D547,505 S * 7/2007 Carr et al. D32/31
- D553,313 S * 10/2007 Parr et al. D32/22

- D553,813 S * 10/2007 Parr D32/22
- D574,563 S * 8/2008 Fjellman et al. D32/22
- D592,818 S * 5/2009 Sun D32/22
- D613,469 S * 4/2010 Agren D32/22
- 2007/0209138 A1 * 9/2007 Tran et al. 15/320
- 2010/0005613 A1 * 1/2010 Morgan et al. 15/320

* cited by examiner

Primary Examiner—Ruth McInroy

(74) *Attorney, Agent, or Firm*—McGarry Bair PC

(57) **CLAIM**

The ornamental design for a vacuum cleaner module, as shown and described.

DESCRIPTION

FIG. 1 is a front perspective view of a vacuum cleaner module which embodies our design;

FIG. 2 is a front view thereof;

FIG. 3 is a rear view thereof;

FIG. 4 is a left side view thereof;

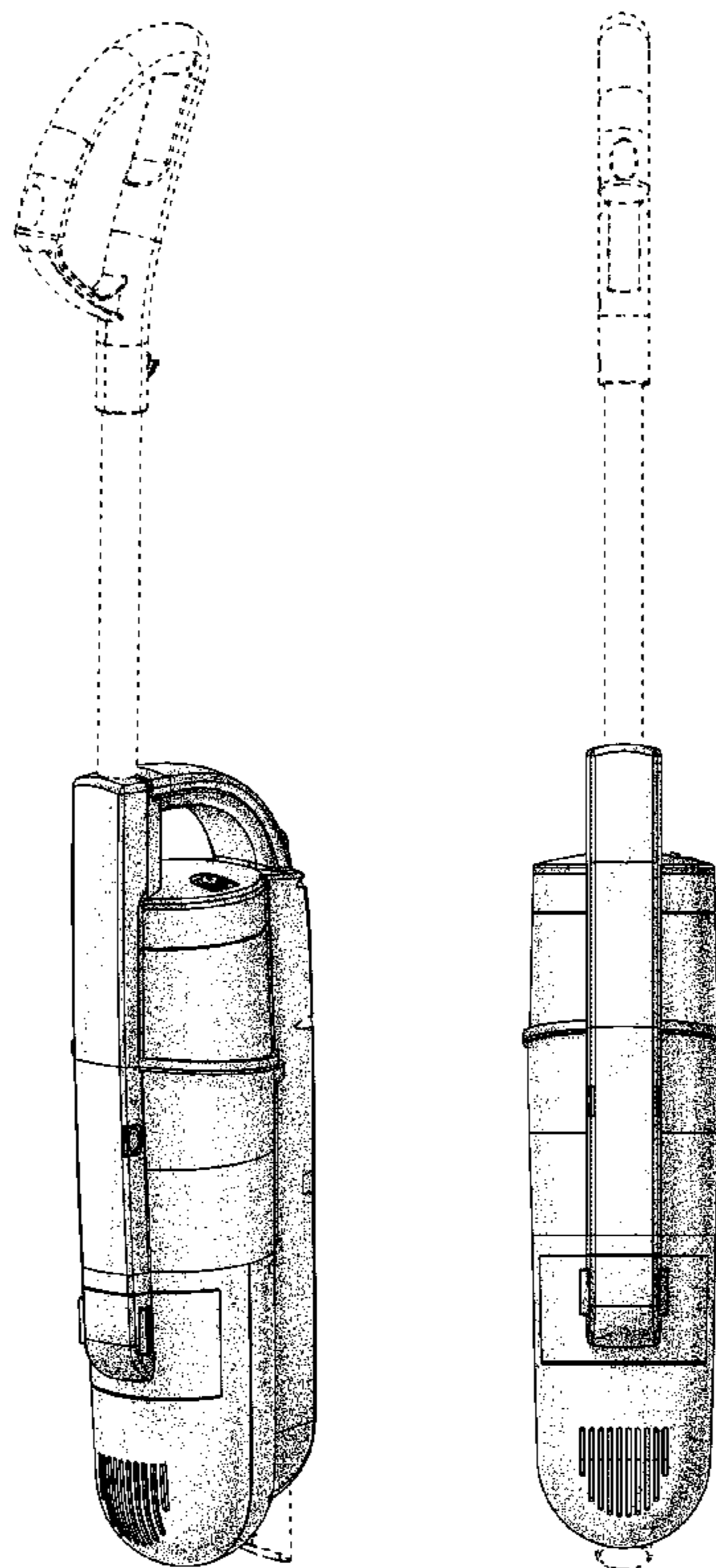
FIG. 5 is a right side view thereof; and,

FIG. 6 is a top view thereof.

The bottom view is unornamented.

The details shown in broken lines form no part of the claimed design.

1 Claim, 2 Drawing Sheets



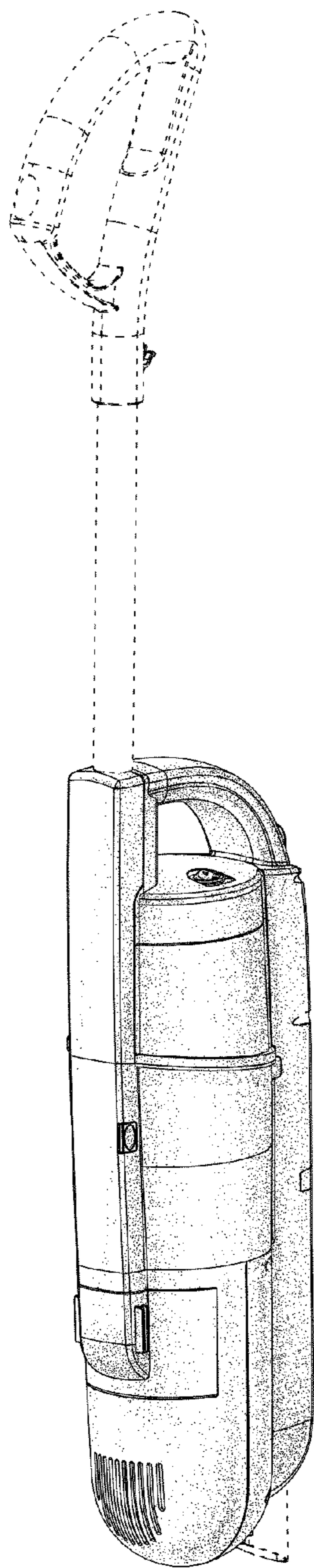


Fig. 1

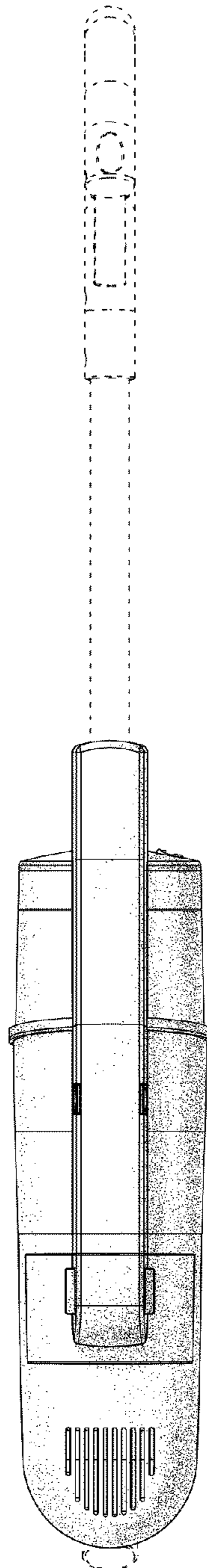


Fig. 2

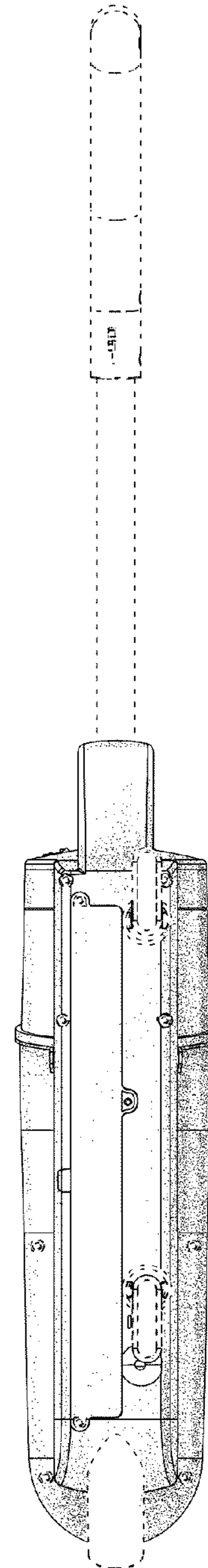


Fig. 3

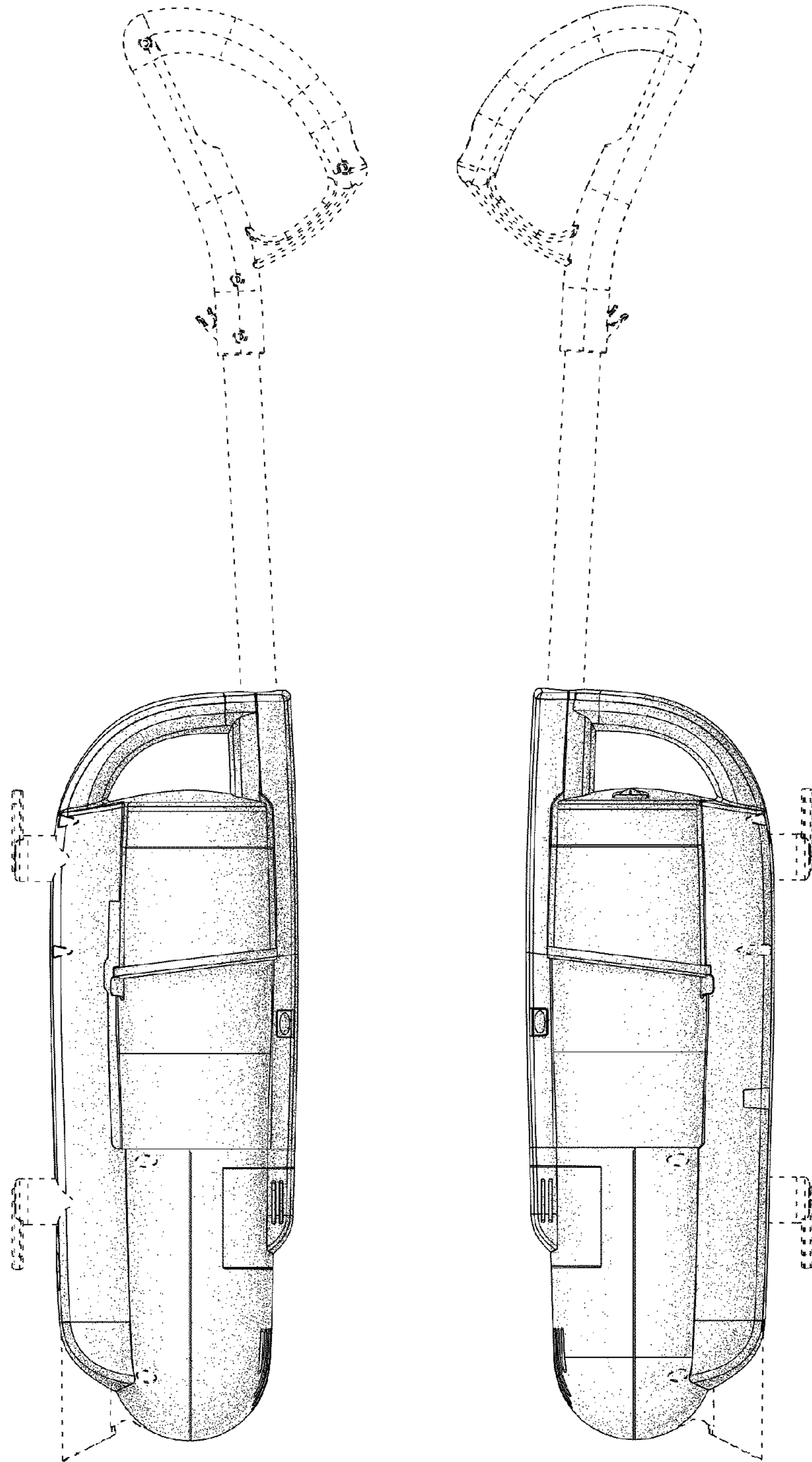


Fig. 4

Fig. 5

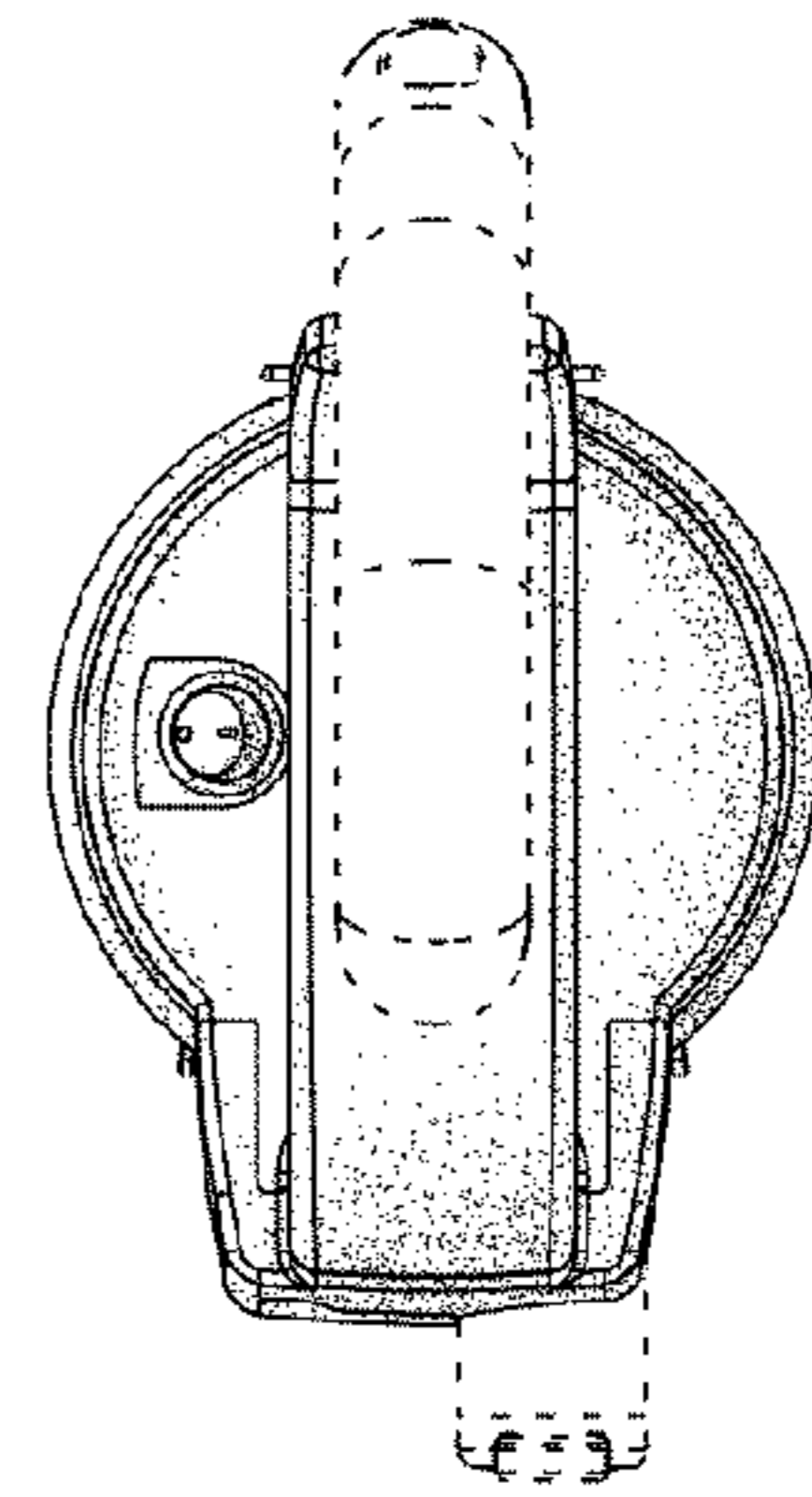


Fig. 6