

US00D632034S

(12) **United States Design Patent**  
**Ha et al.**

(10) **Patent No.:** **US D632,034 S**

(45) **Date of Patent:** **\*\* Feb. 1, 2011**

(54) **LAUNDRY COUNTERTOP**

(75) Inventors: **Young Soo Ha**, Seoul (KR); **Myung Shik Kim**, Seoul (KR)

(73) Assignee: **LG Electronics Inc.**, Seoul (KR)

(\*\*) Term: **14 Years**

(21) Appl. No.: **29/361,658**

(22) Filed: **May 13, 2010**

(51) **LOC (9) Cl.** ..... **15-05**

(52) **U.S. Cl.** ..... **D32/25**

(58) **Field of Classification Search** ..... D32/25;  
D14/389; D19/20, 52, 75, 77, 86, 95; D6/509-511;  
D3/318; D7/590; 206/562; 381/337; 108/26-27;  
248/346.01; 24/67.3; 281/35, 44-45

See application file for complete search history.

(56) **References Cited**

U.S. PATENT DOCUMENTS

1,482,742	A *	2/1924	Gilchrist	.....	108/158
D129,536	S *	9/1941	Moon	.....	D32/25
D132,963	S *	7/1942	Salomon	.....	D6/510
D235,955	S *	7/1975	Shelley, Jr.	.....	D6/511
4,713,949	A *	12/1987	Wilcox	.....	68/235 R
D299,395	S *	1/1989	Osvold	.....	D6/511
D300,791	S *	4/1989	Osvold	.....	D6/511
5,018,628	A *	5/1991	Schenck et al.	.....	211/153
D331,257	S *	11/1992	Breen et al.	.....	D19/20
D477,479	S *	7/2003	Henderson et al.	.....	D6/510
6,931,143	B2 *	8/2005	Caron et al.	.....	381/337
D541,563	S *	5/2007	LaBonia et al.	.....	D6/511
D562,039	S *	2/2008	Browne et al.	.....	D6/509

D562,040	S *	2/2008	Browne et al.	.....	D6/509
D568,643	S *	5/2008	Browne et al.	.....	D6/509
D568,644	S *	5/2008	Browne et al.	.....	D6/509
D569,139	S *	5/2008	Browne et al.	.....	D6/509
D569,140	S *	5/2008	Browne et al.	.....	D6/509
D572,513	S *	7/2008	McCammon	.....	D6/511
2007/0051864	A1 *	3/2007	Bartell et al.	.....	248/346.01

\* cited by examiner

*Primary Examiner*—T. Chase Nelson  
*Assistant Examiner*—Kathleen M Sims

(74) *Attorney, Agent, or Firm*—Morgan Lewis & Bockius LLP

(57) **CLAIM**

The ornamental design for a laundry countertop, as shown and described.

**DESCRIPTION**

FIG. 1 is a top, front, perspective view of a laundry countertop showing our new design;

FIG. 2 is a front view thereof;

FIG. 3 is a rear view thereof;

FIG. 4 is a left side view thereof;

FIG. 5 is a right side view thereof;

FIG. 6 is a top view thereof;

FIG. 7 is a bottom view thereof; and,

FIG. 8 is a reference view thereof.

The broken lines depict environmental structure that forms no part of the claimed design.

**1 Claim, 4 Drawing Sheets**

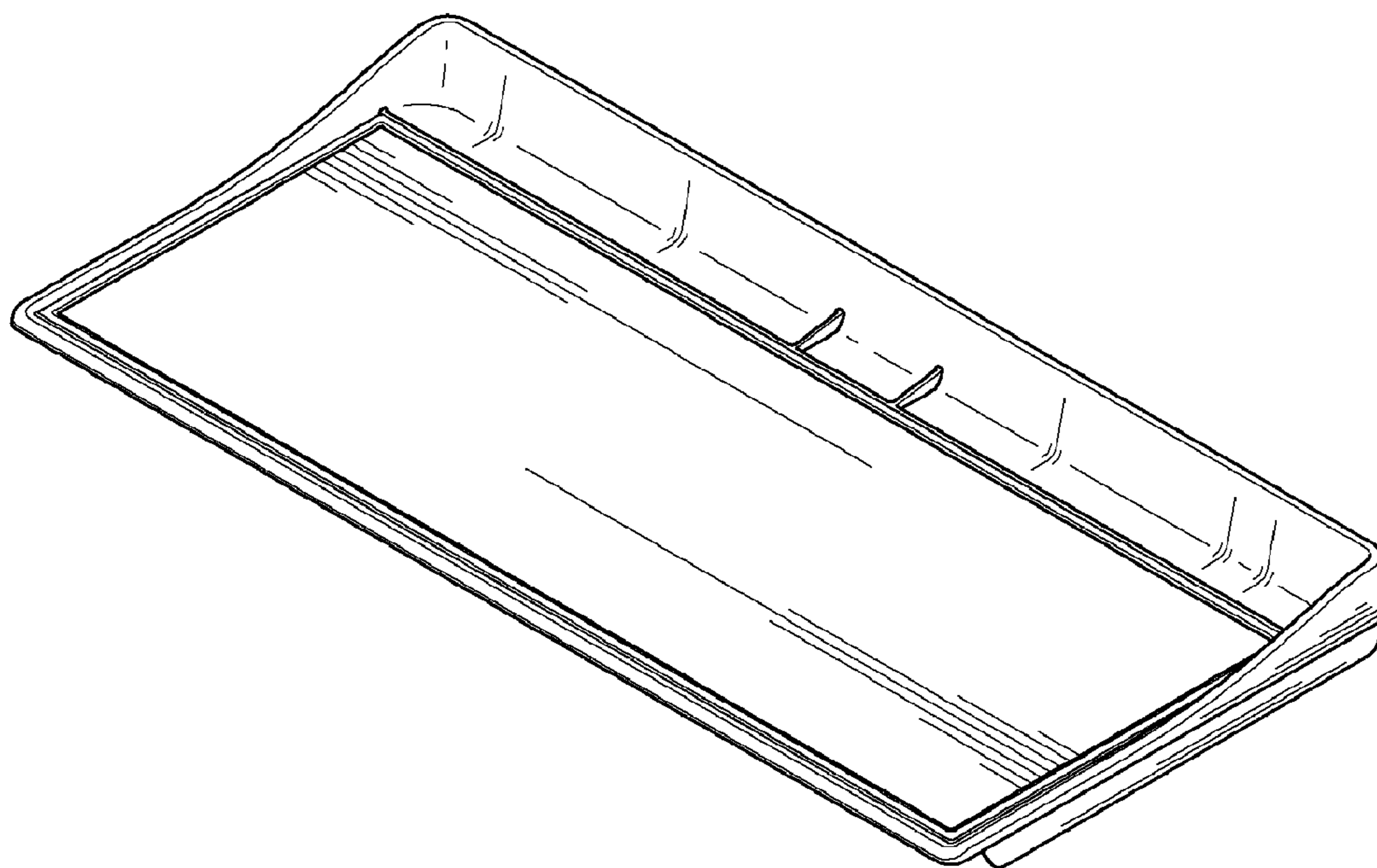


FIG. 1

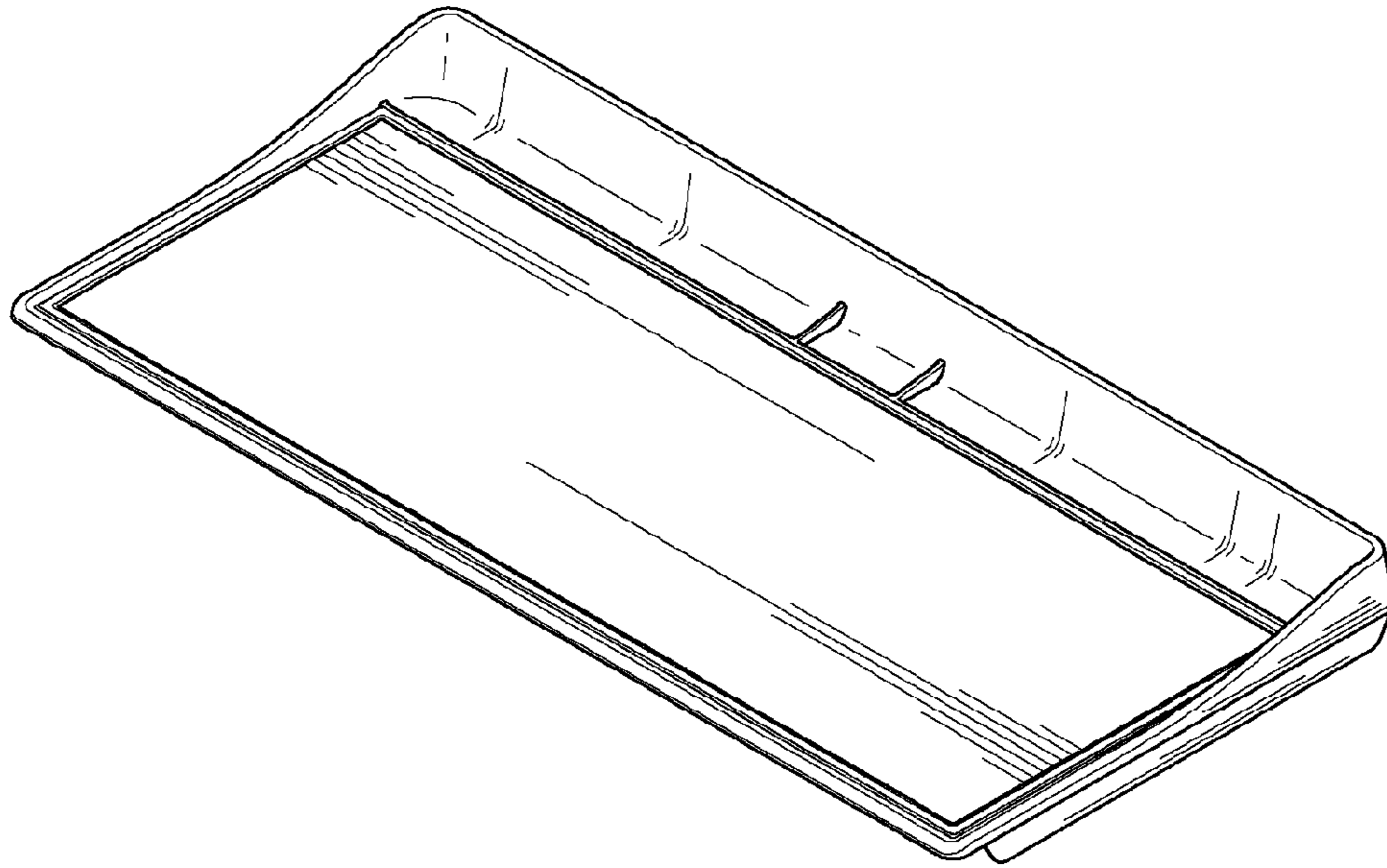


FIG. 2

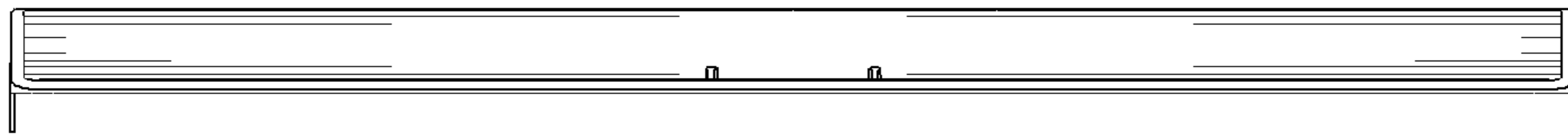


FIG. 3

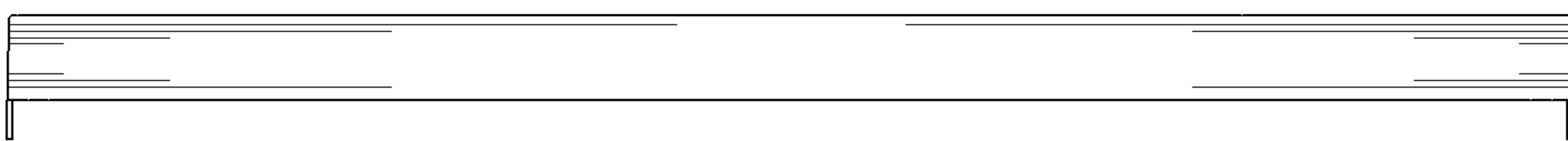


FIG. 4

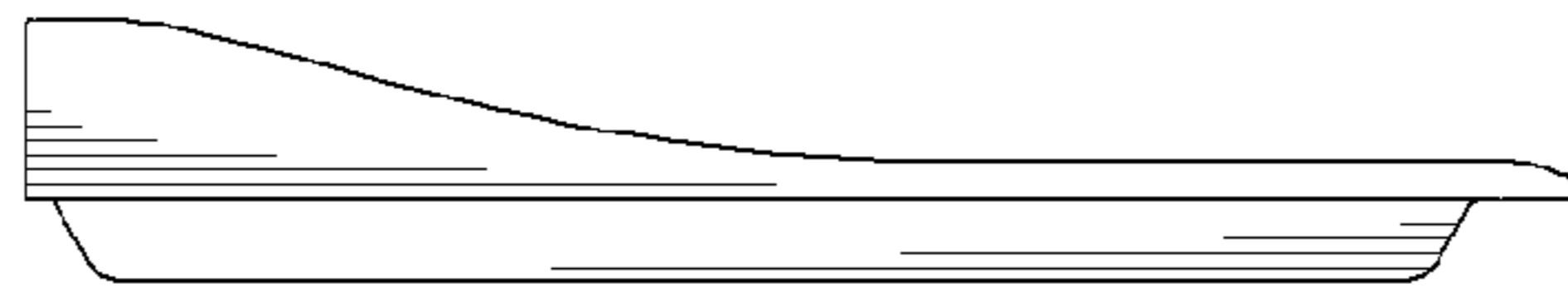


FIG. 5

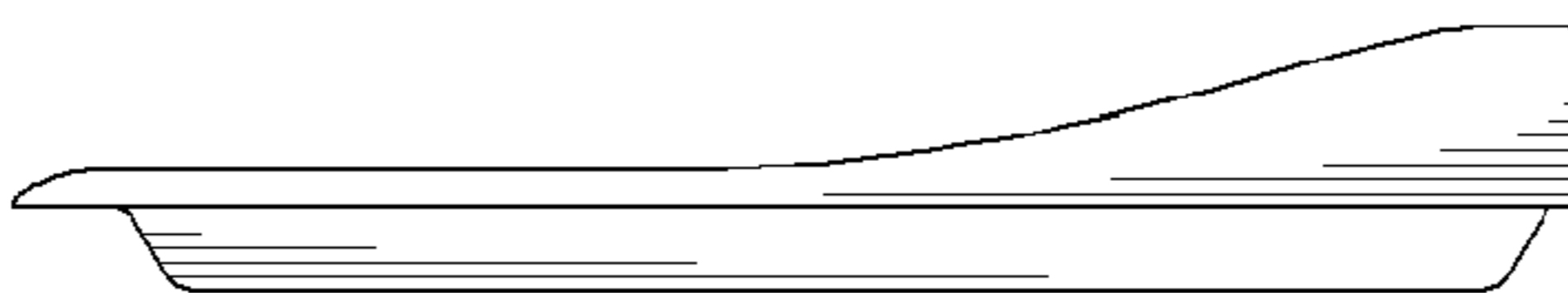


FIG. 6

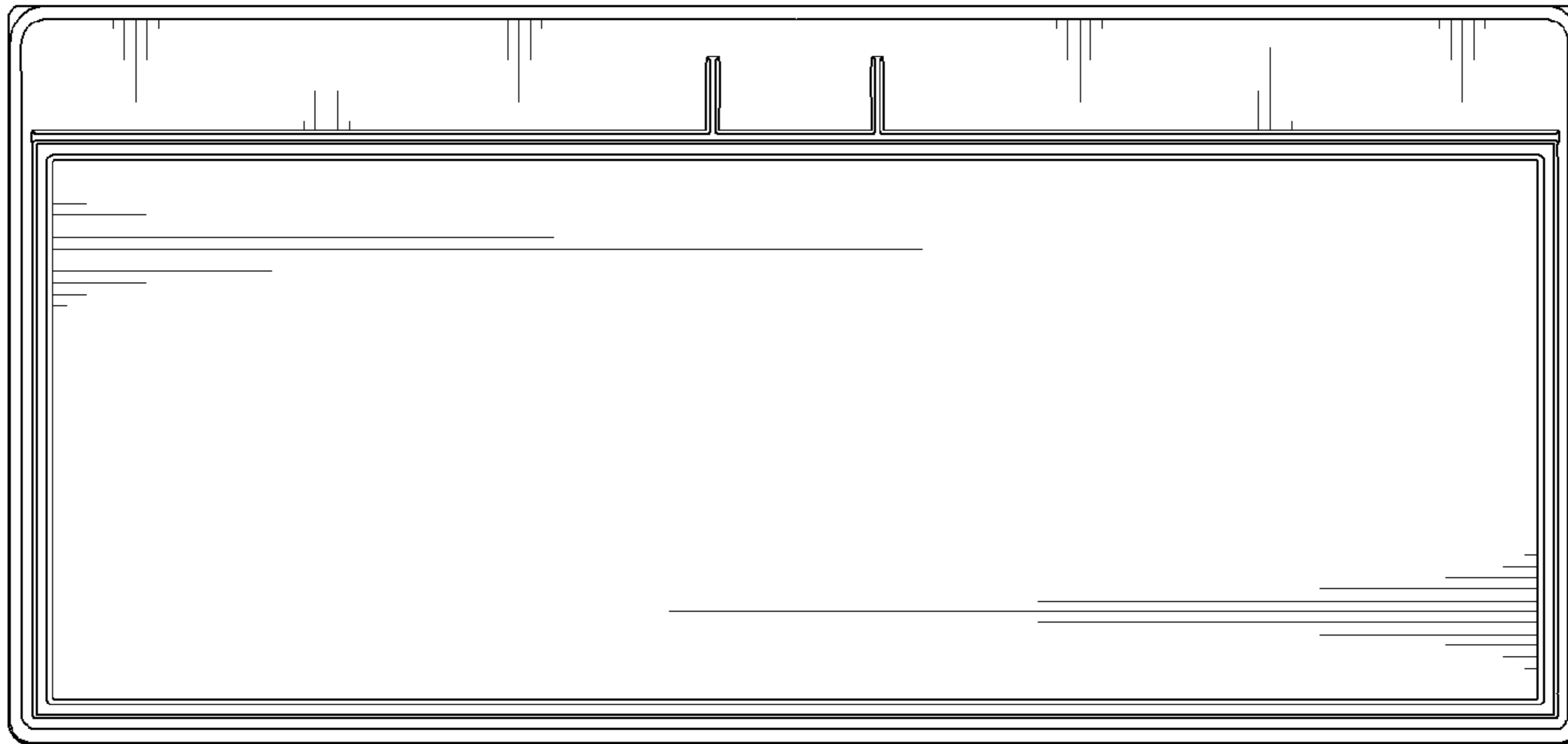


FIG. 7

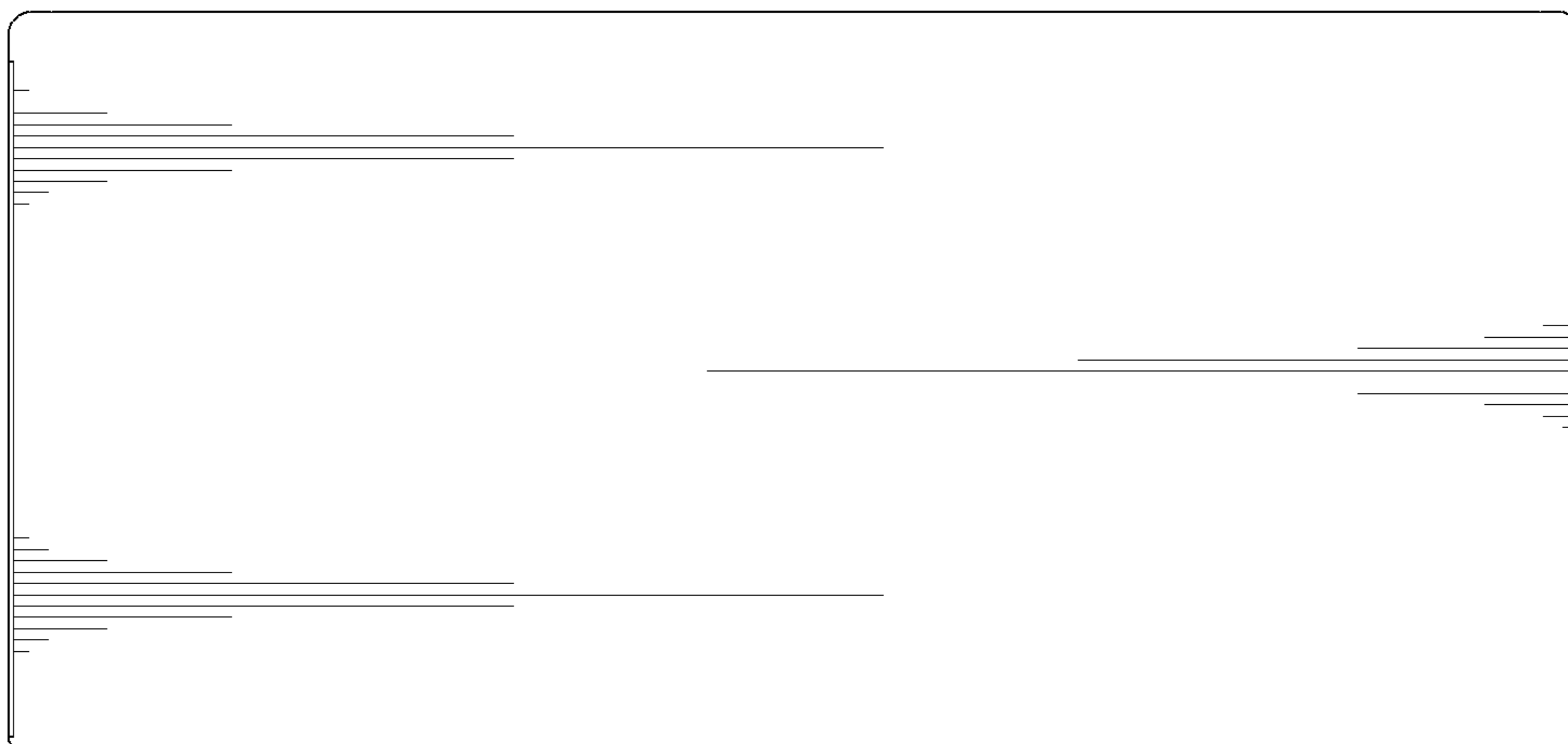


FIG. 8

