



US00D632030S

(12) **United States Design Patent**
Lumsden

(10) **Patent No.:** **US D632,030 S**

(45) **Date of Patent:** **** Feb. 1, 2011**

- (54) **CLAMP FOR ANIMAL LEADS, REINS AND TETHERS**
- (75) Inventor: **Bronwyn Lumsden**, Queens Park (AU)
- (73) Assignee: **Pink Chilli Pty. Ltd.**, Dungog (AU)
- (**) Term: **14 Years**

D424,924	S	*	5/2000	Ackerman	D8/396
6,105,218	A	*	8/2000	Reekie	24/518
6,158,095	A	*	12/2000	Lassiter	24/339
D464,325	S	*	10/2002	Peters et al.	D13/156
D465,843	S	*	11/2002	Guala	D24/129
D477,776	S	*	7/2003	Pontaoe	D8/396
6,618,910	B1	*	9/2003	Pontaoe	24/115 H

(21) Appl. No.: **29/323,427**

(22) Filed: **Aug. 26, 2008**

(30) **Foreign Application Priority Data**
Feb. 28, 2008 (AU) 10949/2008

- (51) **LOC (9) Cl.** **30-04**
- (52) **U.S. Cl.** **D30/141; D30/138**
- (58) **Field of Classification Search** D30/134-141, D30/144, 151-154, 160, 199; 54/71, 3, 24, 54/85, 6.1, 6.2, 16, 36, 74, 73, 21, 26, 30-33, 54/59, 53, 69, 42.1, 43.1, 68, 1; 119/712, 119/792-799, 812-820, 856, 863, 174; D8/356, D8/394-396; D12/51; D13/149, 133, 151, D13/154, 156, 184, 199; D24/129, 143; 174/64, 65 R, 350, 655, 657; 285/154.3; D23/262; 429/142, 552; D11/221; D3/318
See application file for complete search history.

(56) **References Cited**
U.S. PATENT DOCUMENTS

3,835,505	A		7/1888	Cook	
D209,619	S	*	12/1967	Reay D8/396
3,799,118	A	*	3/1974	Sandefur 119/654
4,049,357	A	*	9/1977	Hamisch, Jr. 403/209
4,669,156	A	*	6/1987	Guido et al. 24/336
5,069,045	A	*	12/1991	Mejias 63/3
5,129,839	A	*	7/1992	VanSkiver 439/367
5,245,730	A		9/1993	Martin	
5,263,671	A		11/1993	Baum	
5,577,395	A	*	11/1996	Kuykendall 63/3
5,669,119	A	*	9/1997	Seron 24/265 H
5,755,588	A	*	5/1998	Sweatman et al. 439/369
6,044,527	A	*	4/2000	Ishida et al. 24/129 R

(Continued)

FOREIGN PATENT DOCUMENTS

FR	2764361	12/1998
----	---------	---------

Primary Examiner—Susan Moon Lee
(74) *Attorney, Agent, or Firm*—Fenwick & West LLP

(57) **CLAIM**

I claim the ornamental design for a clamp for animal leads, reins and tethers, as shown and described.

DESCRIPTION

FIG. 1 is a front side perspective view of the clamp for animal leads, reins and tethers in accordance with the present design invention;

FIG. 2 is a partially opened perspective view of the design invention of FIG. 1;

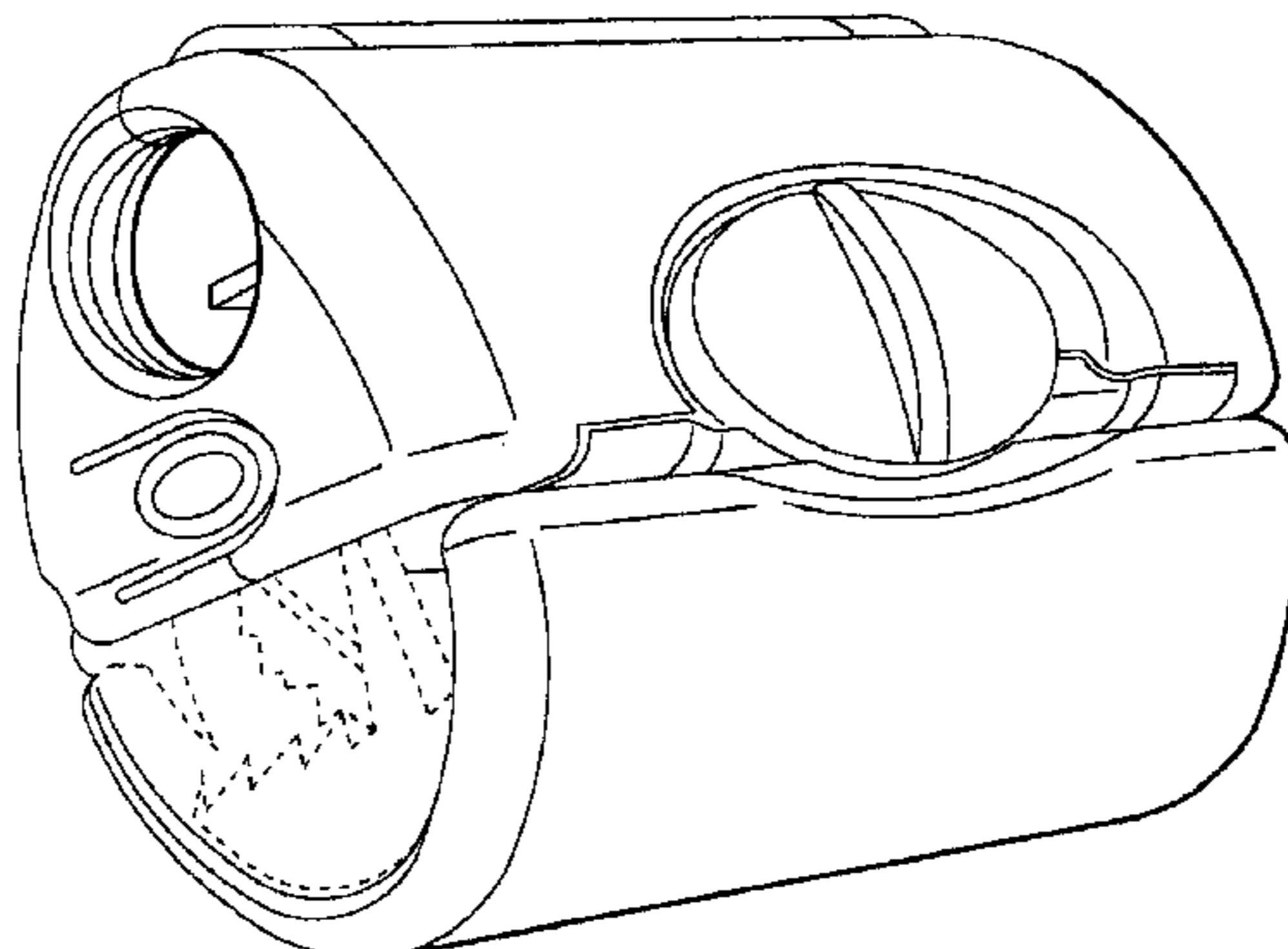
FIG. 3 is left side fully-opened perspective view of the design invention of FIG. 1;

FIG. 4 is a right side, fully-opened perspective view of the design invention of FIG. 1; and,

FIG. 5 is a back side perspective view of the design invention of FIG. 1.

The interior of the clamp depicted in broken lines is not claimed.

1 Claim, 5 Drawing Sheets



US D632,030 S

Page 2

U.S. PATENT DOCUMENTS

D481,300 S *	10/2003	Nezu	D8/383	D575,671 S *	8/2008	Niwa	D11/216
D491,055 S *	6/2004	Chou	D8/382	7,461,610 B1 *	12/2008	Czepizak et al.	114/218
D499,330 S *	12/2004	Peato	D8/383	D593,680 S *	6/2009	Hafele et al.	D24/143
6,925,951 B1	8/2005	DeLong		D603,753 S *	11/2009	Palmer et al.	D11/216
6,986,325 B1 *	1/2006	Hsu	119/867	7,614,179 B2 *	11/2009	Kavanaugh	43/44.91
7,013,535 B2 *	3/2006	Tracy	24/265 R	D606,832 S *	12/2009	Wan et al.	D8/72
D529,374 S *	10/2006	Watanabe	D8/395	D608,247 S *	1/2010	Keyaki et al.	D11/221
D531,896 S *	11/2006	Blythe	D9/434	D622,839 S *	8/2010	Fisher et al.	D24/129
D558,569 S *	1/2008	Hanley	D8/400	2004/0089828 A1 *	5/2004	Werth	251/10
D569,349 S *	5/2008	Preston	D13/156	2004/0097120 A1 *	5/2004	Limber et al.	439/369
7,380,758 B2 *	6/2008	Hauser	248/68.1	2008/0132848 A1 *	6/2008	Wright et al.	604/174

* cited by examiner

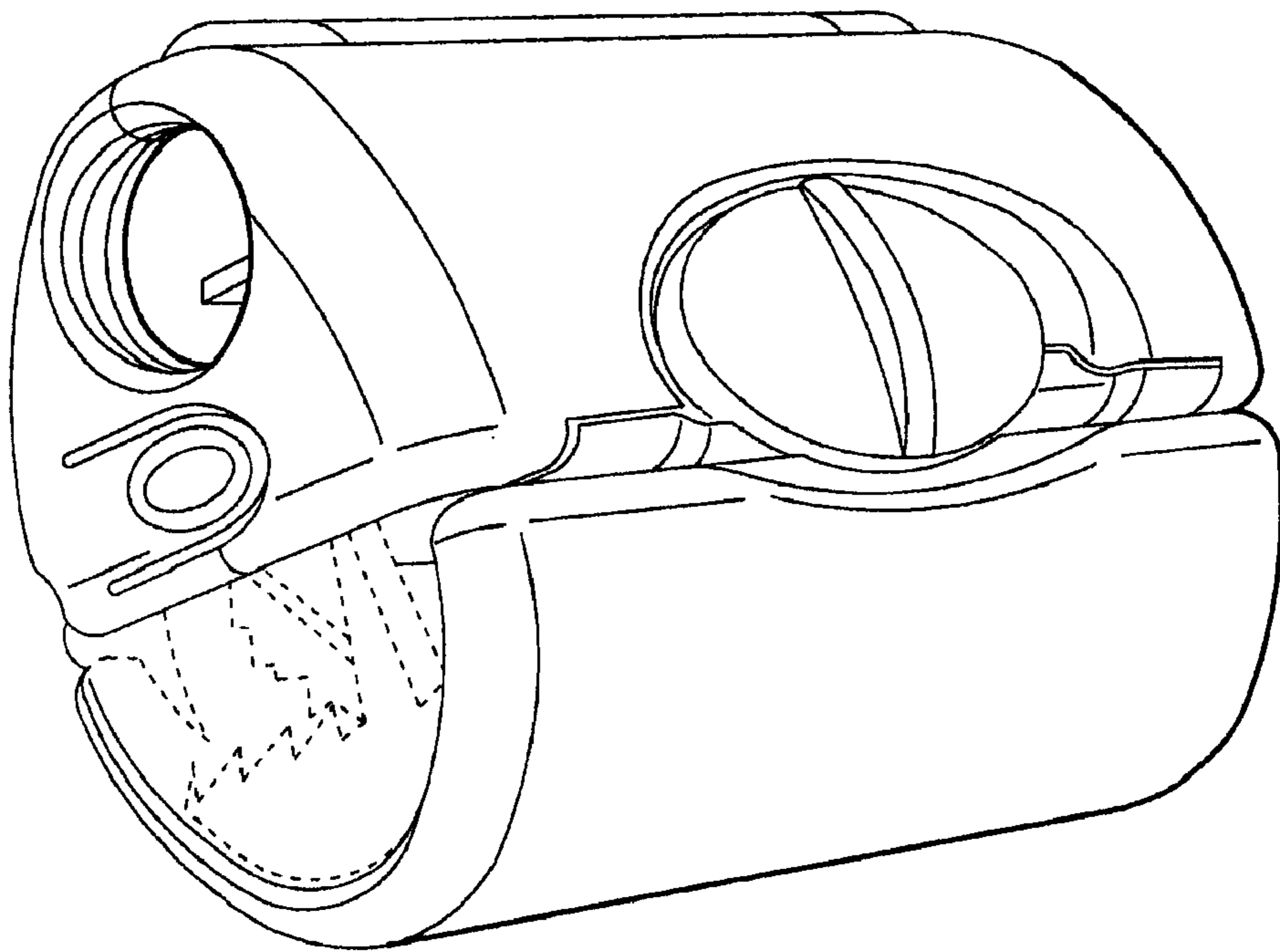


FIG. 1

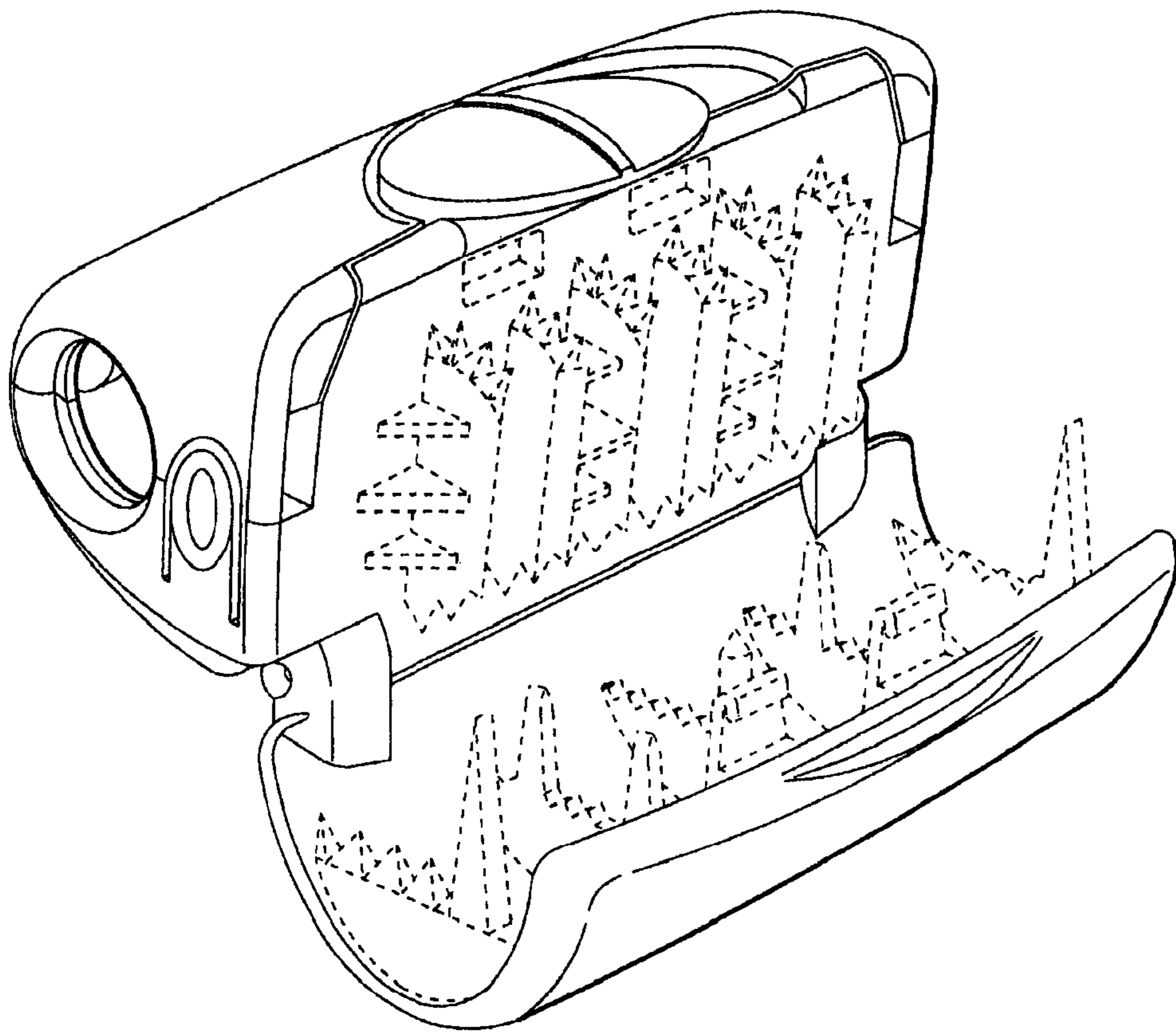


FIG. 2

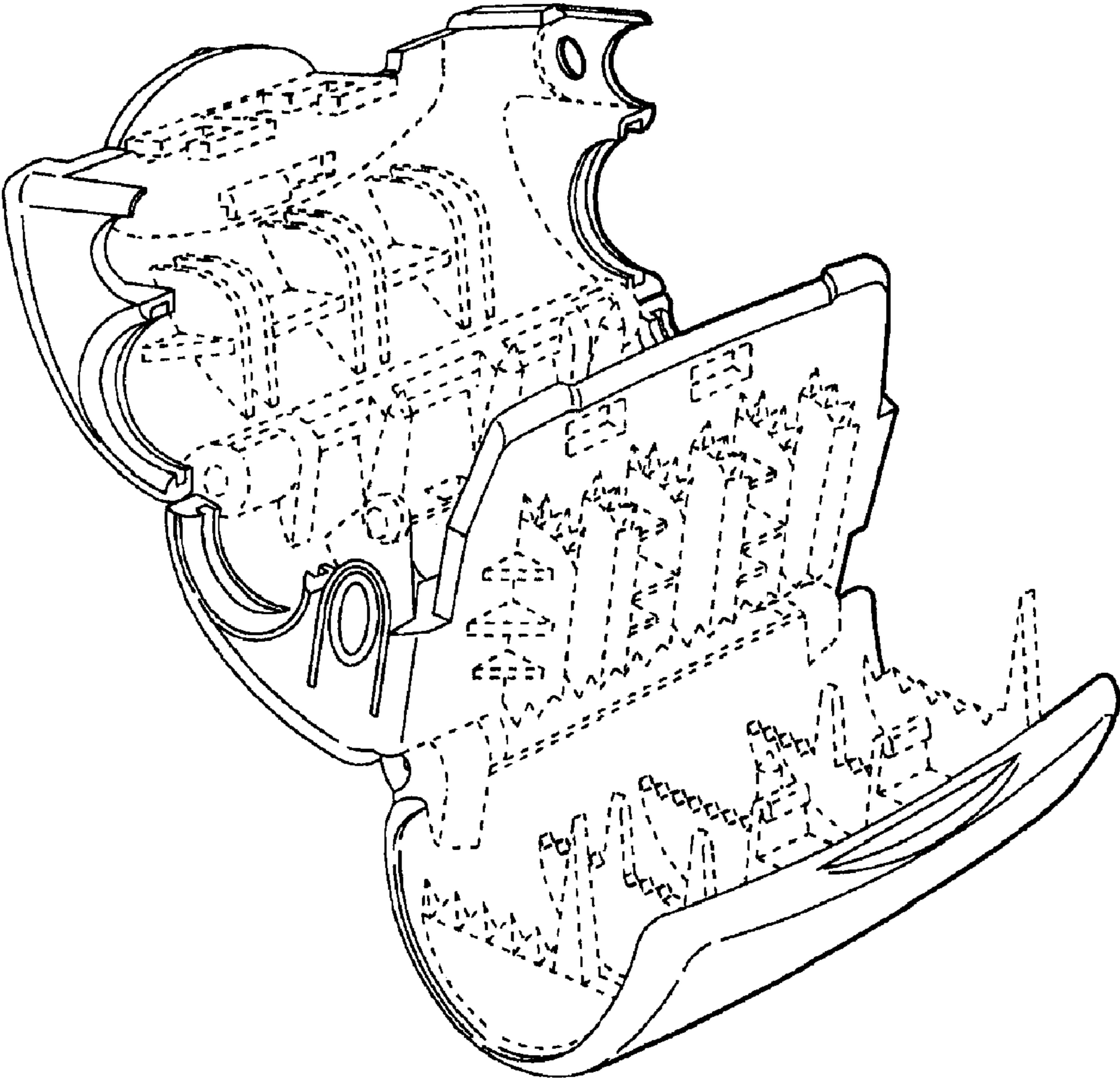


FIG. 3

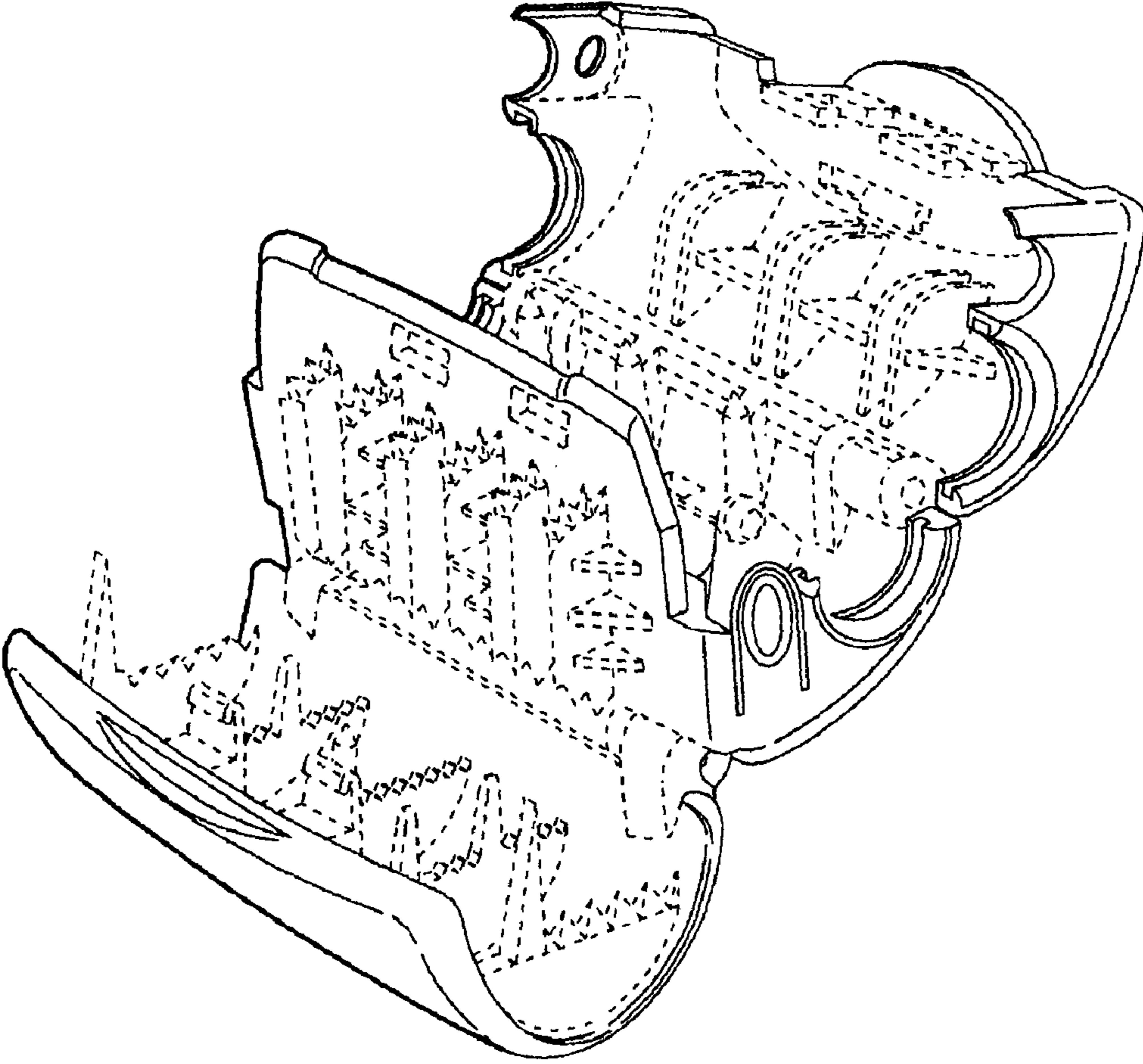


FIG. 4

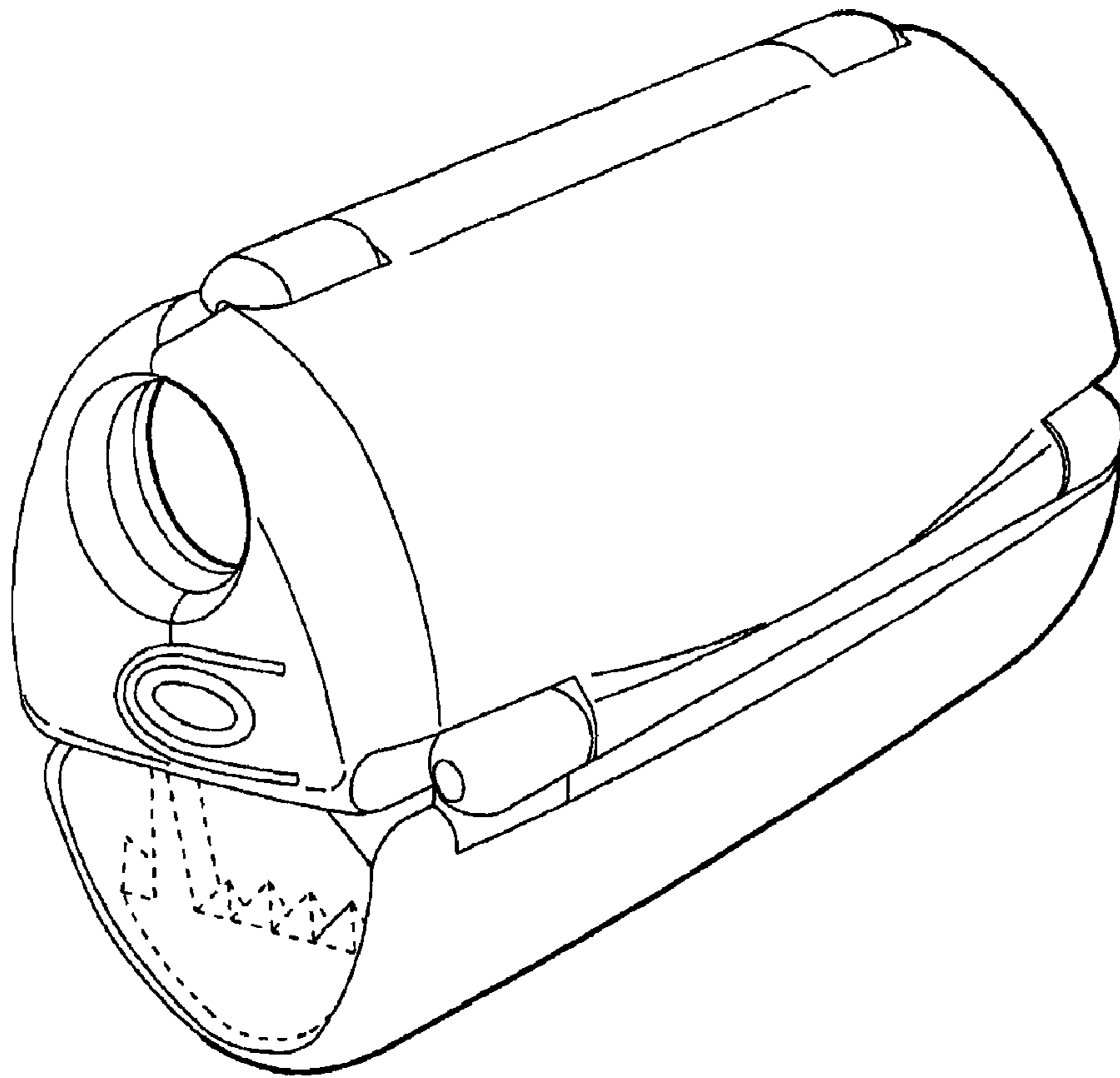


FIG. 5