



US00D632026S

(12) **United States Design Patent**  
**Higashi et al.**

(10) **Patent No.:** **US D632,026 S**  
(45) **Date of Patent:** **\*\* Feb. 1, 2011**

(54) **PET BED**

5,188,063 A \* 2/1993 Evans ..... 119/28.5  
5,282,439 A \* 2/1994 Oaks ..... 119/28.5  
D369,443 S \* 4/1996 Givens ..... D30/118

(76) Inventors: **Jeffrey Higashi**, 1308 Sartori, #203,  
Torrance, CA (US) 90501; **Seiji Robert**  
**Morioka**, 21415 S. Vermont Ave., #24,  
Torrance, CA (US) 90502; **Dimitre D.**  
**Mehandjiysky**, 1342 Braided Rope Dr.,  
Austin, TX (US) 78727; **Mark**  
**Gullickson**, 1018 Marine St., #8, Santa  
Monica, CA (US) 90405

(Continued)

**FOREIGN PATENT DOCUMENTS**

FR H1893B/34 \* 7/1979

**OTHER PUBLICATIONS**

Linda Anderson catalog; p. 32; Kitty Bunk Bed #40-1191.\*

*Primary Examiner*—Cathy Anne MacCormac  
(74) *Attorney, Agent, or Firm*—Booth Udall, PLC; Steven J.  
Laurenti

(\*\*) Term: **14 Years**

(21) Appl. No.: **29/351,084**

(22) Filed: **Nov. 30, 2009**

**Related U.S. Application Data**

(63) Continuation-in-part of application No. 29/326,328,  
filed on Oct. 16, 2008, now Pat. No. Des. 607,610.

(51) **LOC (9) Cl.** ..... **30-02**

(52) **U.S. Cl.** ..... **D30/118**

(58) **Field of Classification Search** ..... D30/118;  
D6/388, 390, 595–597, 601, 604–605; 119/28.5,  
119/169, 702, 707

See application file for complete search history.

(56) **References Cited**

**U.S. PATENT DOCUMENTS**

D221,558 S \* 8/1971 Zimmerman ..... D30/118  
D224,685 S \* 8/1972 Michlap et al. .... 119/28.5  
D224,792 S \* 9/1972 Knox, Jr. .... D30/118  
4,347,807 A \* 9/1982 Reich ..... 119/499  
D290,767 S \* 7/1987 Duffek ..... D30/108  
D309,046 S \* 7/1990 Andersen ..... D30/112  
5,000,116 A \* 3/1991 Fife et al. .... 119/28.5  
5,072,694 A \* 12/1991 Haynes et al. .... 119/28.5

(57) **CLAIM**

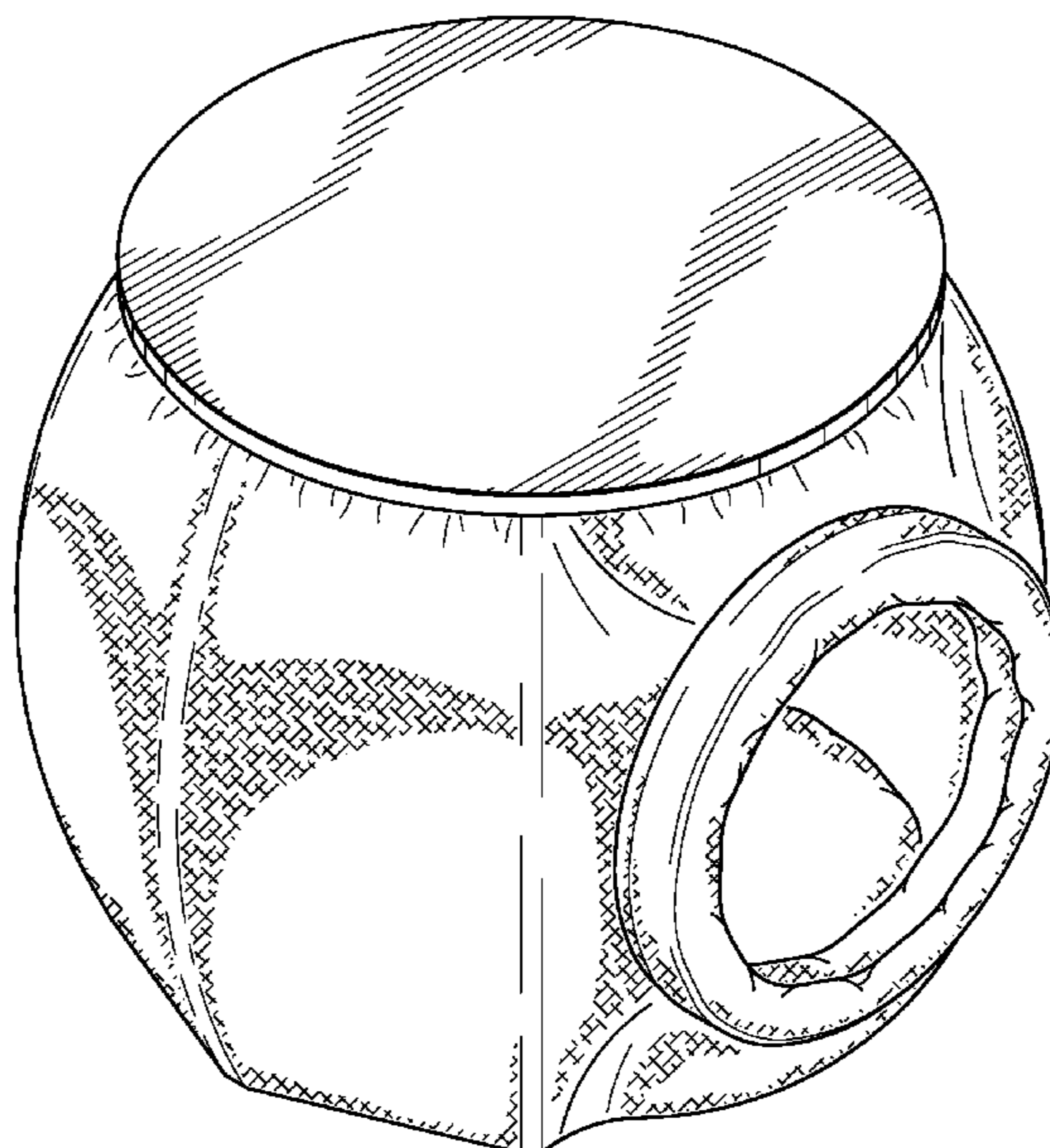
The ornamental design for a pet bed, as shown and described.

**DESCRIPTION**

FIG. 1 is a perspective view of the present invention;  
FIG. 2 is a front view of the present invention;  
FIG. 3 is a right side view of the present invention, the left side  
view being a mirror image thereof;  
FIG. 4 is a back side view of the present invention;  
FIG. 5 is a top view of the present invention; and,  
FIG. 6 is a bottom view of the present invention.

The broken lines in FIG. 6 immediately adjacent the shaded  
areas or the solid lines represent the bounds of the claim, and  
the broken lines and the area within the broken lines represent  
unclaimed portions of the present invention. None of the  
broken lines form a part of the claimed design.

**1 Claim, 3 Drawing Sheets**



# US D632,026 S

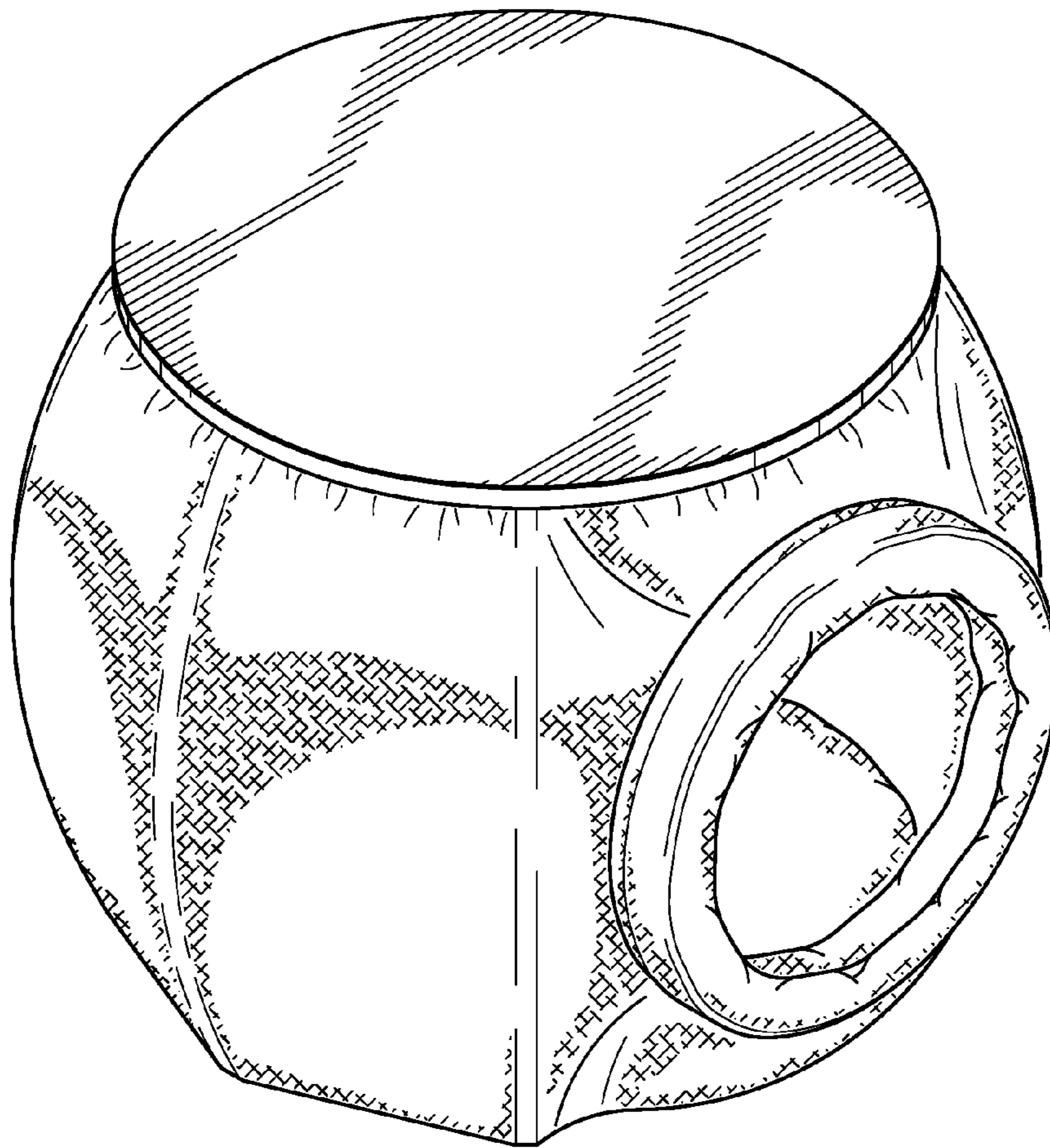
Page 2

---

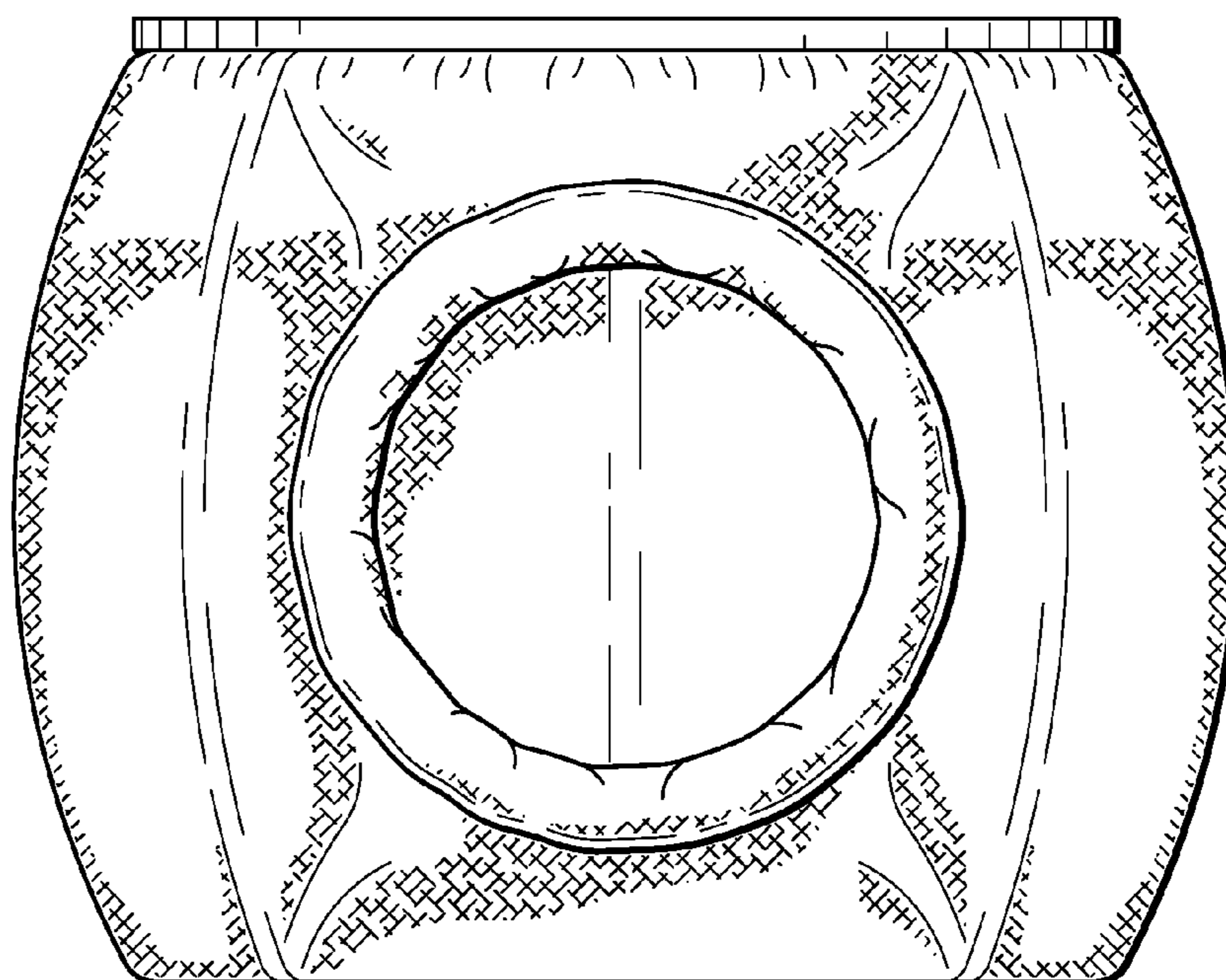
## U.S. PATENT DOCUMENTS

D369,885	S	*	5/1996	Zeiler	.....	D30/118	D426,034	S	*	5/2000	Faulstich	.....	D30/118
5,651,332	A	*	7/1997	Moore et al.	.....	119/708	6,378,463	B1	*	4/2002	Simmons	.....	119/707
5,685,258	A	*	11/1997	Fricano	.....	119/28.5	6,758,167	B1	*	7/2004	Edelinski	.....	119/498
D398,089	S	*	9/1998	Reed	.....	D30/118	D555,293	S	*	11/2007	Gourkow	.....	D30/108
D406,923	S	*	3/1999	Simpkins	.....	D30/118	7,765,952	B1	*	8/2010	Archibald	.....	119/28.5
D407,861	S	*	4/1999	Teng	.....	D30/112	2007/0051323	A1	*	3/2007	Guard	.....	119/28.5
D423,544	S	*	4/2000	Yamamoto et al.	.....	D16/218	2008/0282987	A1	*	11/2008	Ritchey	.....	119/28.5

\* cited by examiner



*FIG. 1*



*FIG. 2*



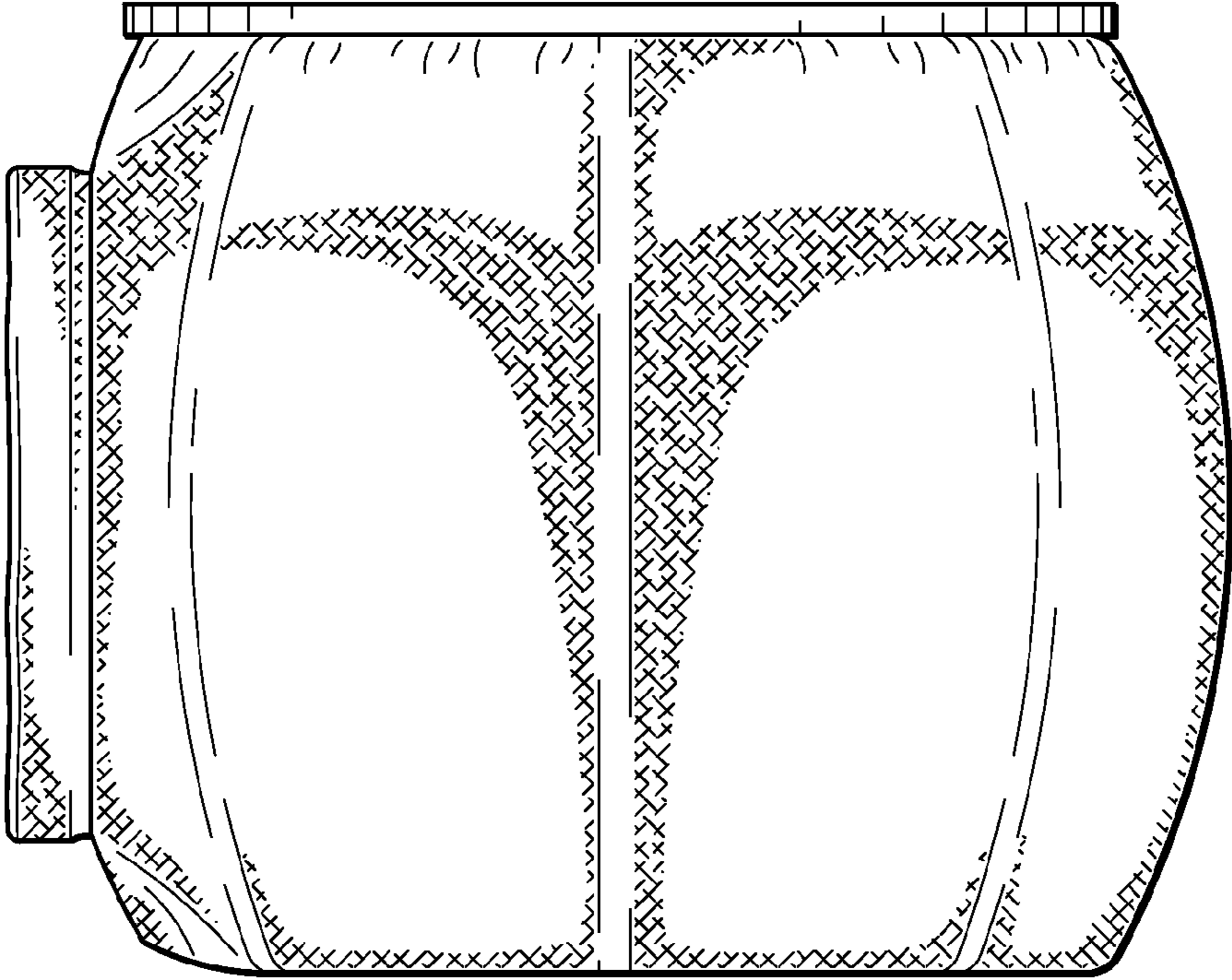


FIG. 3

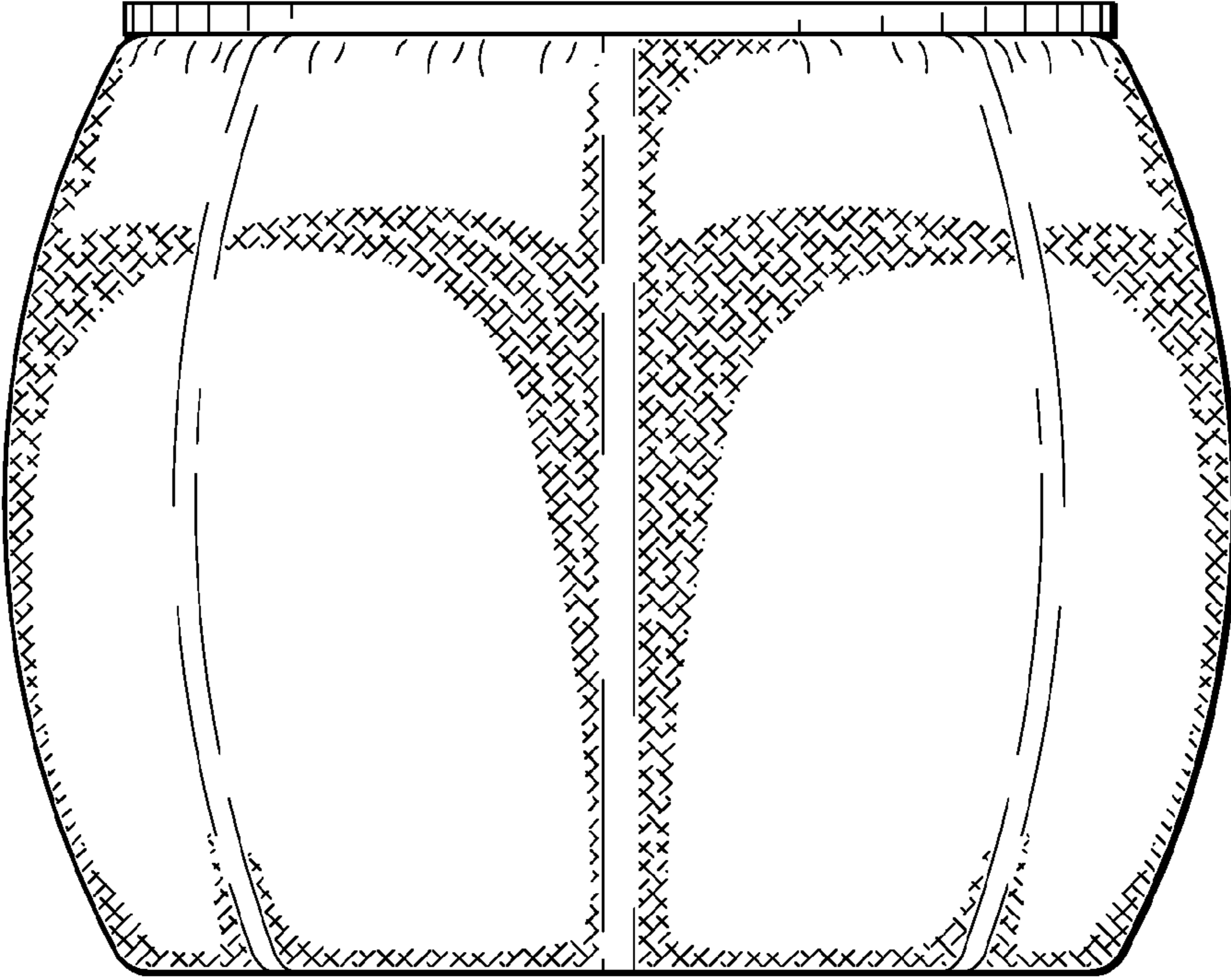


FIG. 4

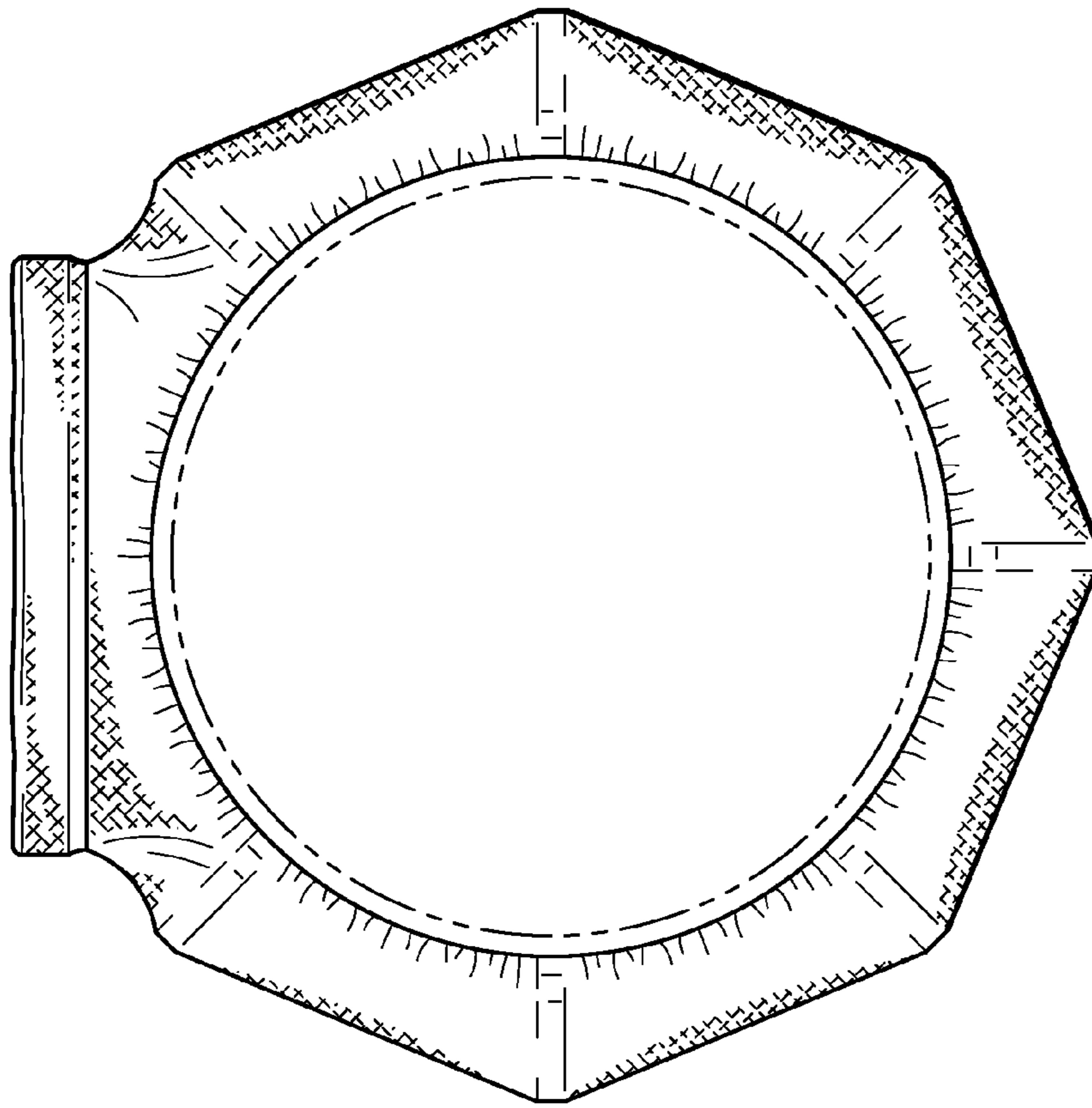


FIG. 6

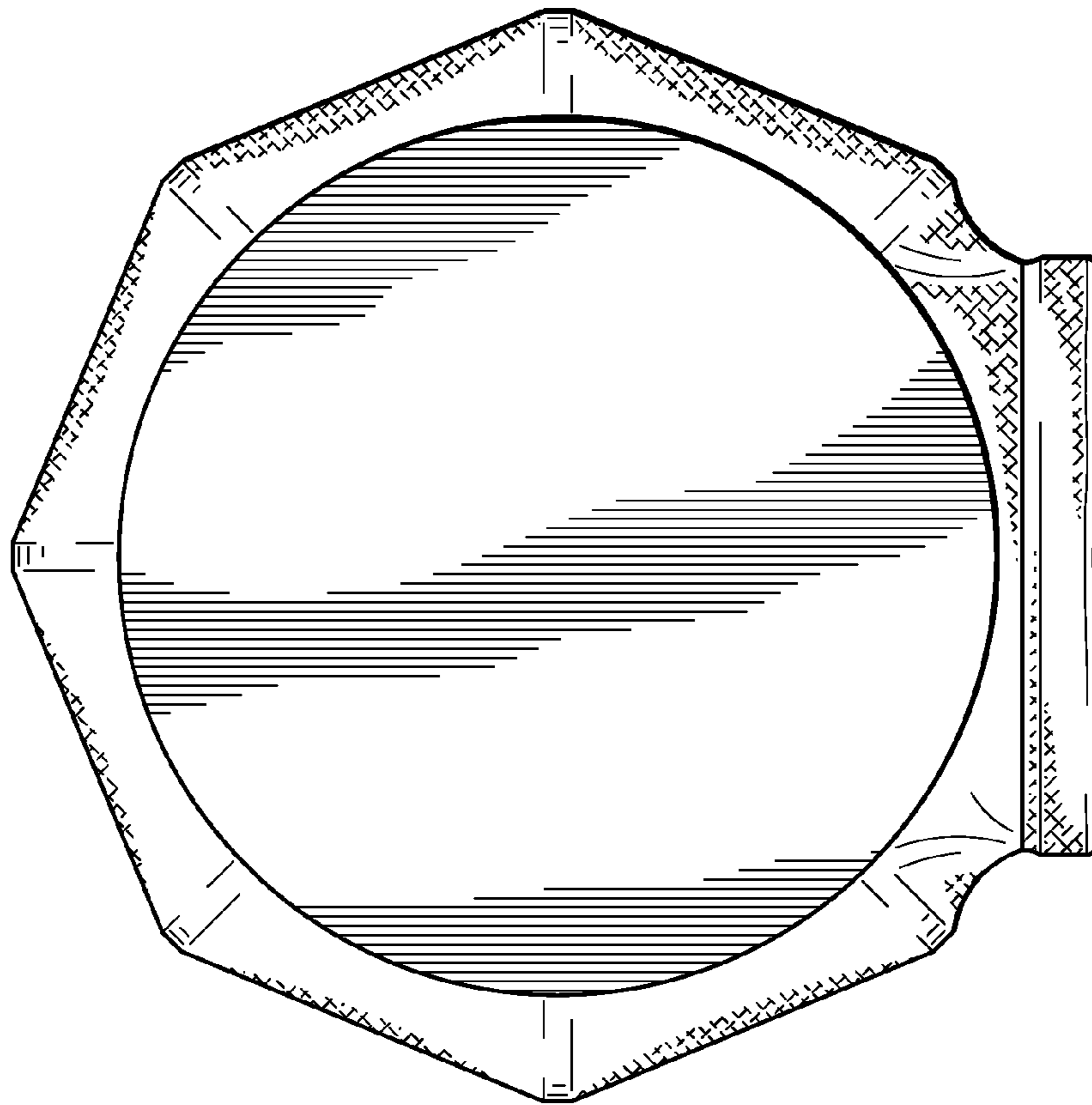


FIG. 5