



US00D632023S

(12) **United States Design Patent**  
**Goldstein**

(10) **Patent No.:** **US D632,023 S**

(45) **Date of Patent:** **\*\* Feb. 1, 2011**

(54) **ARTIFICIAL REEF FOR AQUARIUM**

(76) Inventor: **Joseph Michael Goldstein**, 1009  
Waterville Ct., Dyer, IN (US) 46311

(\*\*) Term: **14 Years**

(21) Appl. No.: **29/338,736**

(22) Filed: **Jun. 17, 2009**

(51) **LOC (9) Cl.** ..... **30-02**

(52) **U.S. Cl.** ..... **D30/106**

(58) **Field of Classification Search** ..... D30/101–106,  
D30/115, 117, 119; D28/37; 219/222, 225;  
119/207–208, 221, 219, 256, 257, 269, 239;  
405/26, 30; 118/211; 355/27; D4/123; D15/20;  
172/349, 537; 492/28–31, 33, 37, 48  
See application file for complete search history.

(56) **References Cited**

**U.S. PATENT DOCUMENTS**

D173,312 S *	10/1954	Knapp, Jr.	.....	D4/123
D173,313 S *	10/1954	Knapp, Jr.	.....	D4/123
D175,352 S *	8/1955	Knapp, Jr.	.....	D4/123
D175,353 S *	8/1955	Knapp, Jr.	.....	D4/123
D175,354 S *	8/1955	Knapp, Jr.	.....	D4/123
D175,355 S *	8/1955	Knapp, Jr.	.....	D4/123
D178,474 S *	8/1956	Watzulik	.....	D4/123
D178,522 S *	8/1956	Knapp, Jr.	.....	D4/123
3,105,502 A *	10/1963	Mitchell et al.	.....	D28/37
D210,436 S *	3/1968	Jeronimus	.....	D28/37
3,389,466 A *	6/1968	Parris	.....	492/31
3,561,402 A	2/1971	Ishida et al.	.....	
3,824,956 A	7/1974	Presley	.....	
3,910,290 A *	10/1975	Litman	.....	D28/37
4,100,007 A *	7/1978	Van Zeeland	.....	492/29
D252,294 S *	7/1979	Mack	.....	D28/37
4,165,711 A	8/1979	Aoki	.....	
4,257,140 A *	3/1981	Downing	.....	492/30

(Continued)

*Primary Examiner*—Stella M Reid

*Assistant Examiner*—Wan Laymon

(74) *Attorney, Agent, or Firm*—Hartman & Hartman, P.C.;  
Gary M. Hartman; Domenica N. S. Hartman

(57) **CLAIM**

The ornamental design for an artificial reef for an aquarium,  
as shown and described.

**DESCRIPTION**

FIG. 1 is a perspective view of an artificial reef for an  
aquarium in accordance with this invention.

FIG. 2 is an end view of the artificial reef of FIG. 1.

FIG. 3 is an opposite end view of the artificial reef of FIG. 1.

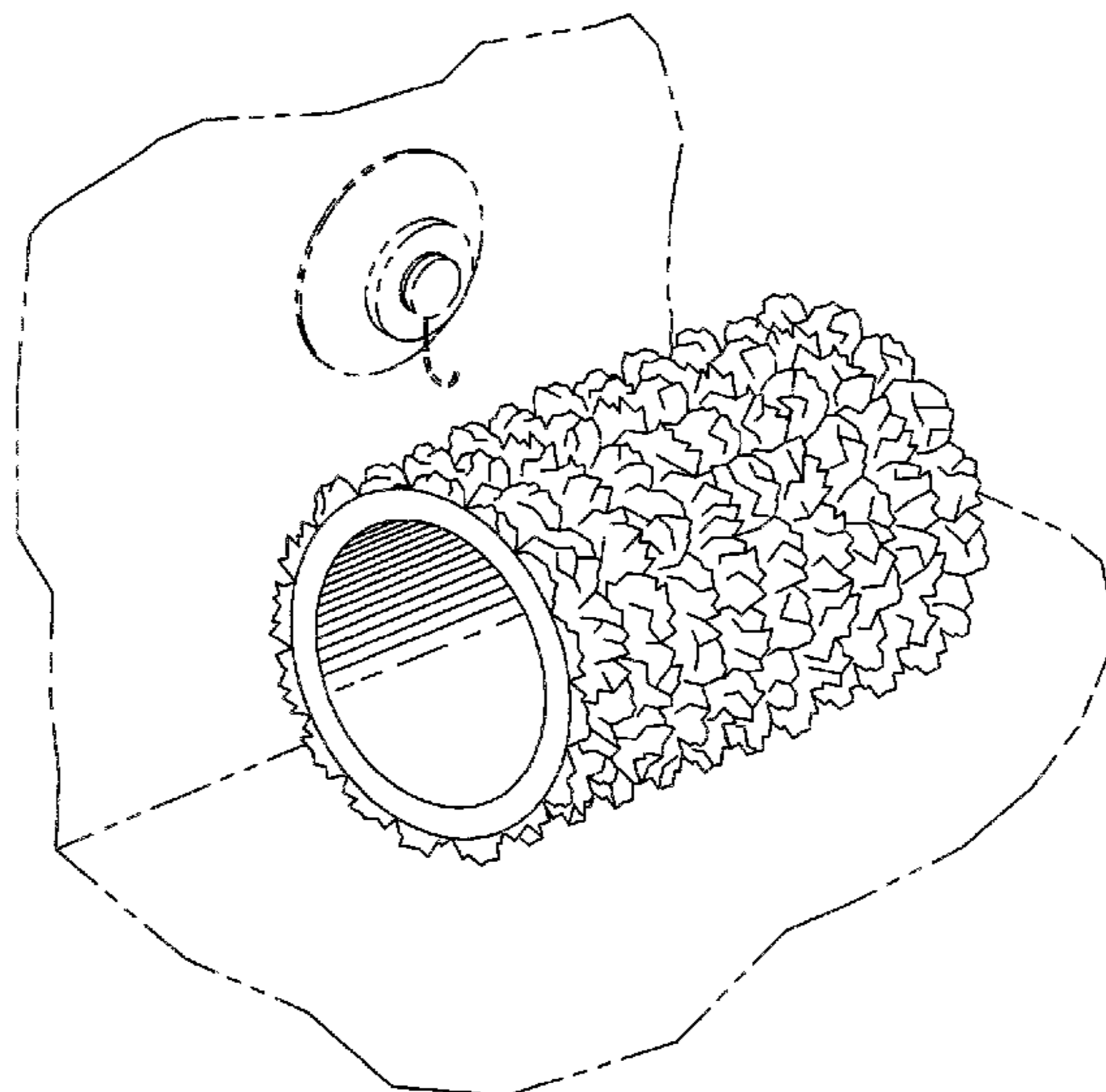
FIG. 4 is a top view of the artificial reef of FIG. 1, wherein the  
bottom view of the artificial reef is identical to FIG. 4 and  
therefore not shown; and,

FIG. 5 is a rear view of the artificial reef of FIG. 1, wherein  
aside from the hole the front view of the artificial reef is  
identical to FIG. 5 and therefore not shown.

The broken line representations of the securing means and  
aquarium walls of FIG. 1 and of the swimming fish of FIGS.  
2 and 3 are for the purpose of illustration only, and form no  
part of the claimed design.

The artificial reef has a tubular shape, a smooth interior cylin-  
drical surface, and a rough exterior cylindrical surface so as to  
resemble an ocean reef. The tubular shape may be formed  
from a variety of materials by a variety of processes. The  
artificial reef can be secured to an inner wall of an aquarium  
by means of a suction cup and hook (represented by broken  
lines in FIG. 1), the latter of which can be inserted into a hole  
in the rear of the artificial reef (FIG. 5). The artificial reef may  
be placed within an aquarium without being secured to a wall  
of the aquarium.

**1 Claim, 1 Drawing Sheet**



# US D632,023 S

Page 2

---

## U.S. PATENT DOCUMENTS

4,388,019	A	6/1983	Kajihara	5,215,406	A	6/1993	Hudson	
4,439,059	A	3/1984	Kikuzawa et al.	5,693,141	A *	12/1997	Tramont	118/211
4,708,089	A	11/1987	Goldman et al.	5,806,130	A *	9/1998	Pascoe	492/30
4,788,938	A	12/1988	Davenport	D417,314	S	11/1999	Smith, Jr.	
4,913,094	A	4/1990	Jones et al.	D439,373	S *	3/2001	Cheung	D28/37
4,947,791	A	8/1990	Laier et al.	6,289,548	B2 *	9/2001	Capoccia	492/30
4,993,362	A	2/1991	Jimbo	6,382,874	B1	5/2002	Hoashi	
5,109,796	A	5/1992	Monus	D469,924	S *	2/2003	Farrell	D28/37
				6,901,936	B2 *	6/2005	Kampel	132/262

\* cited by examiner

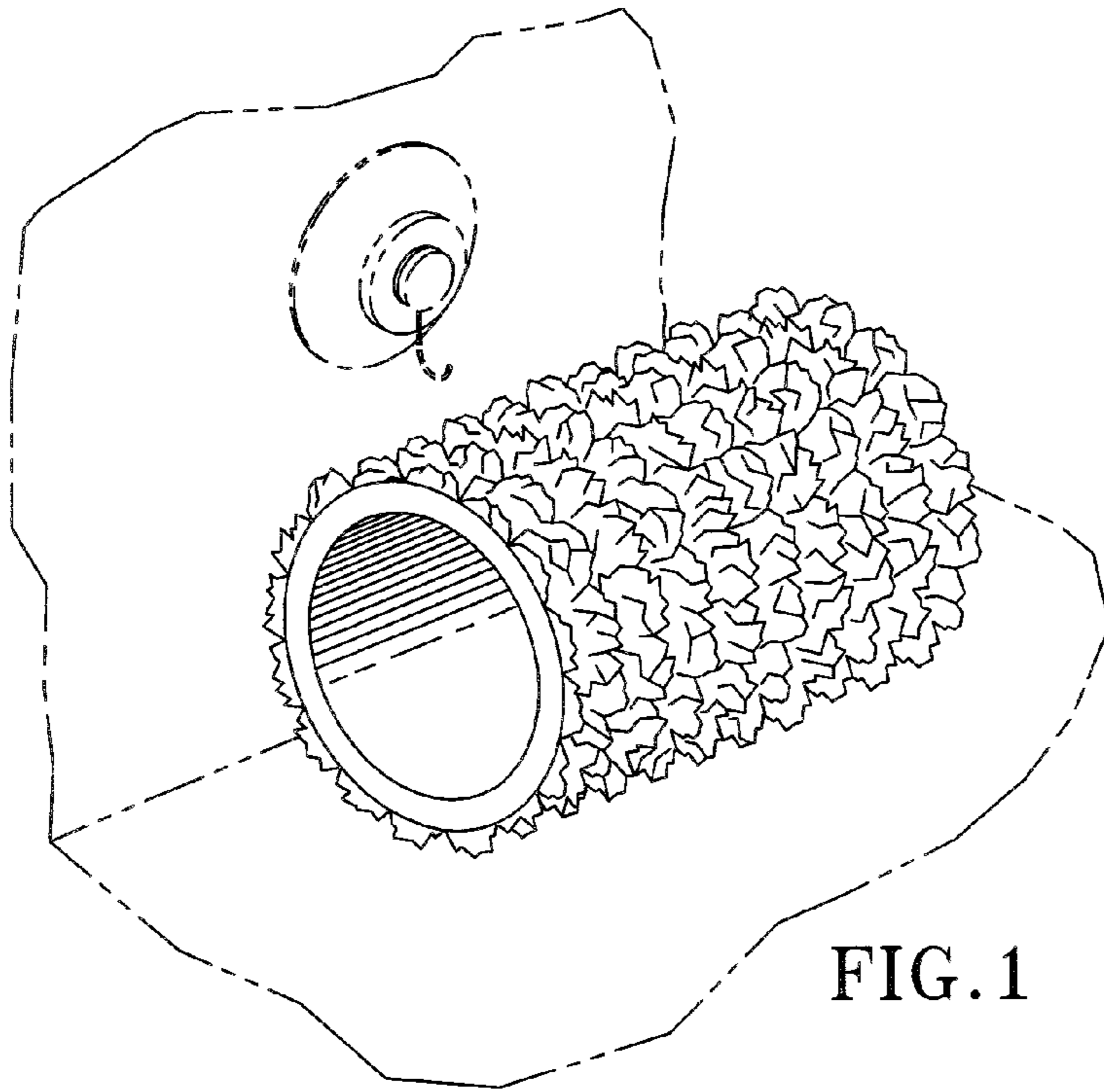


FIG. 1

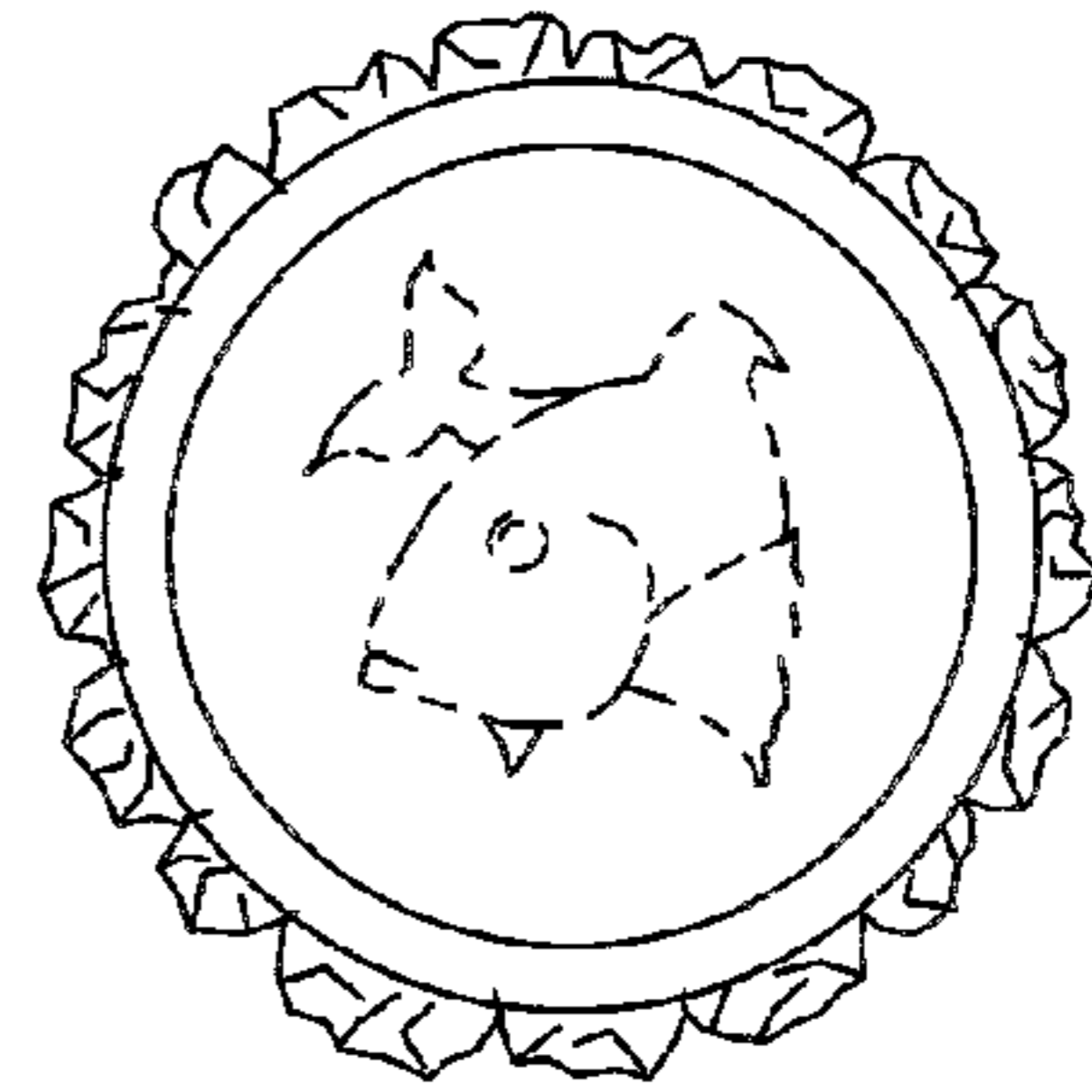


FIG. 2

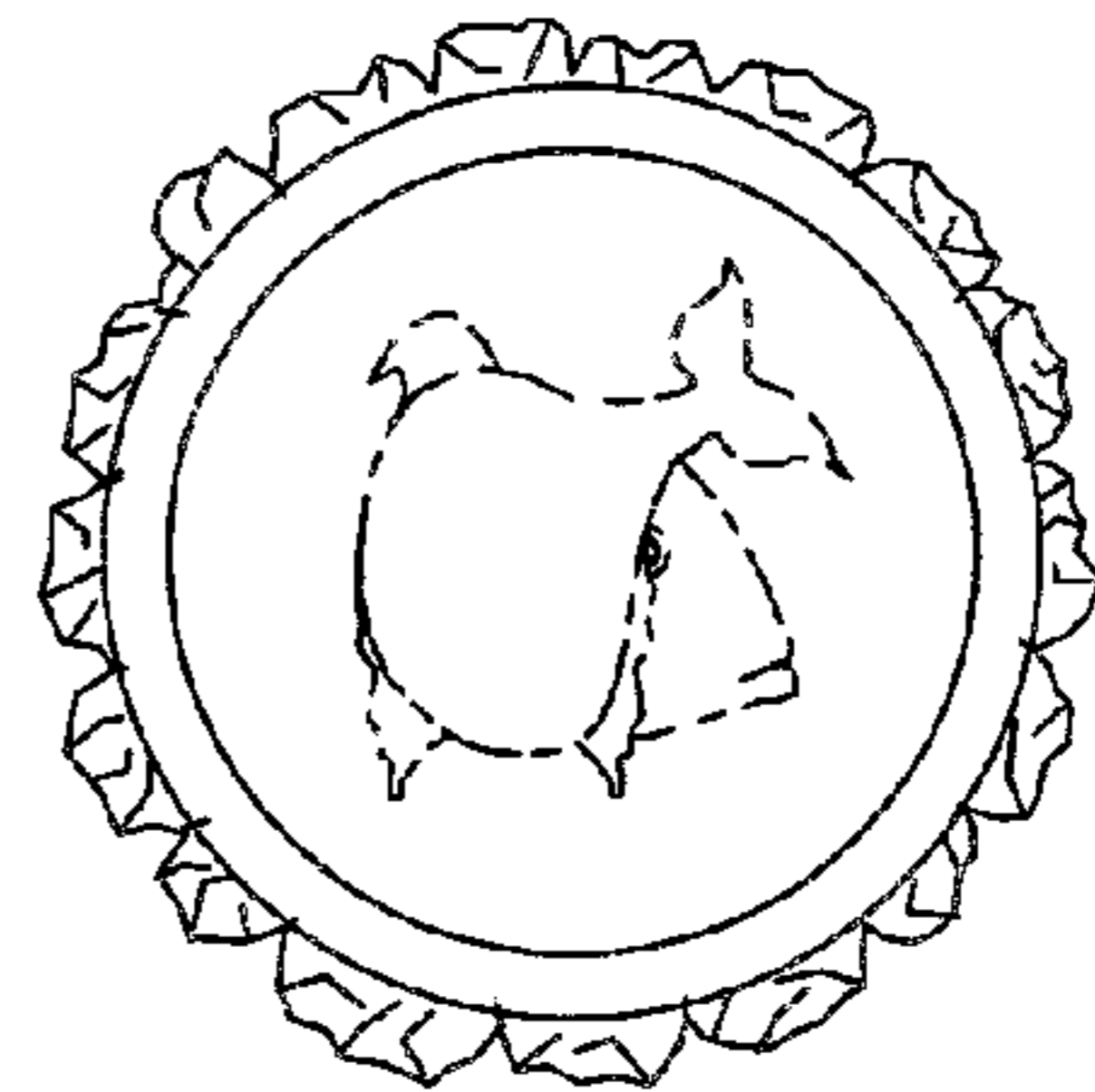


FIG. 3

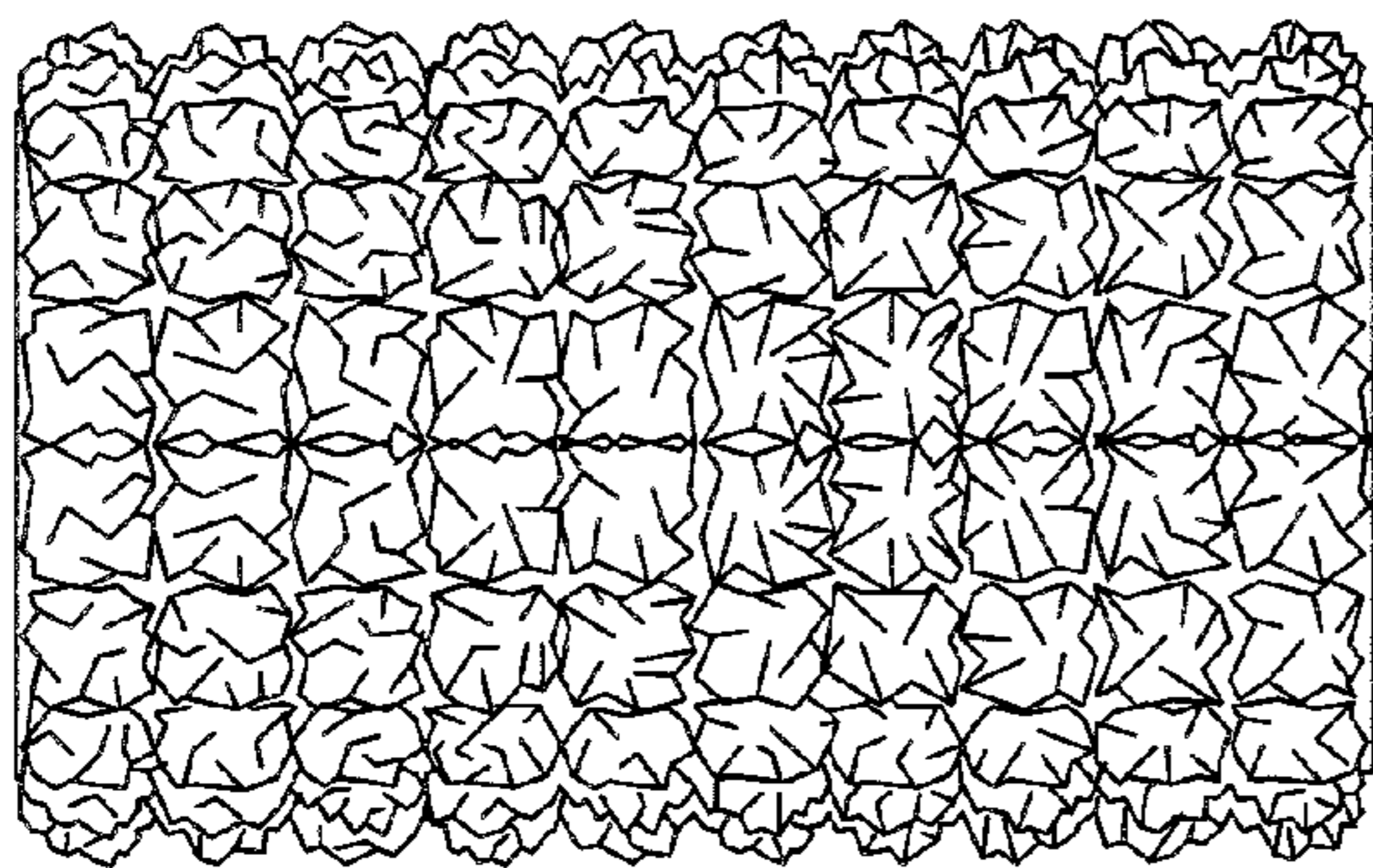


FIG. 4

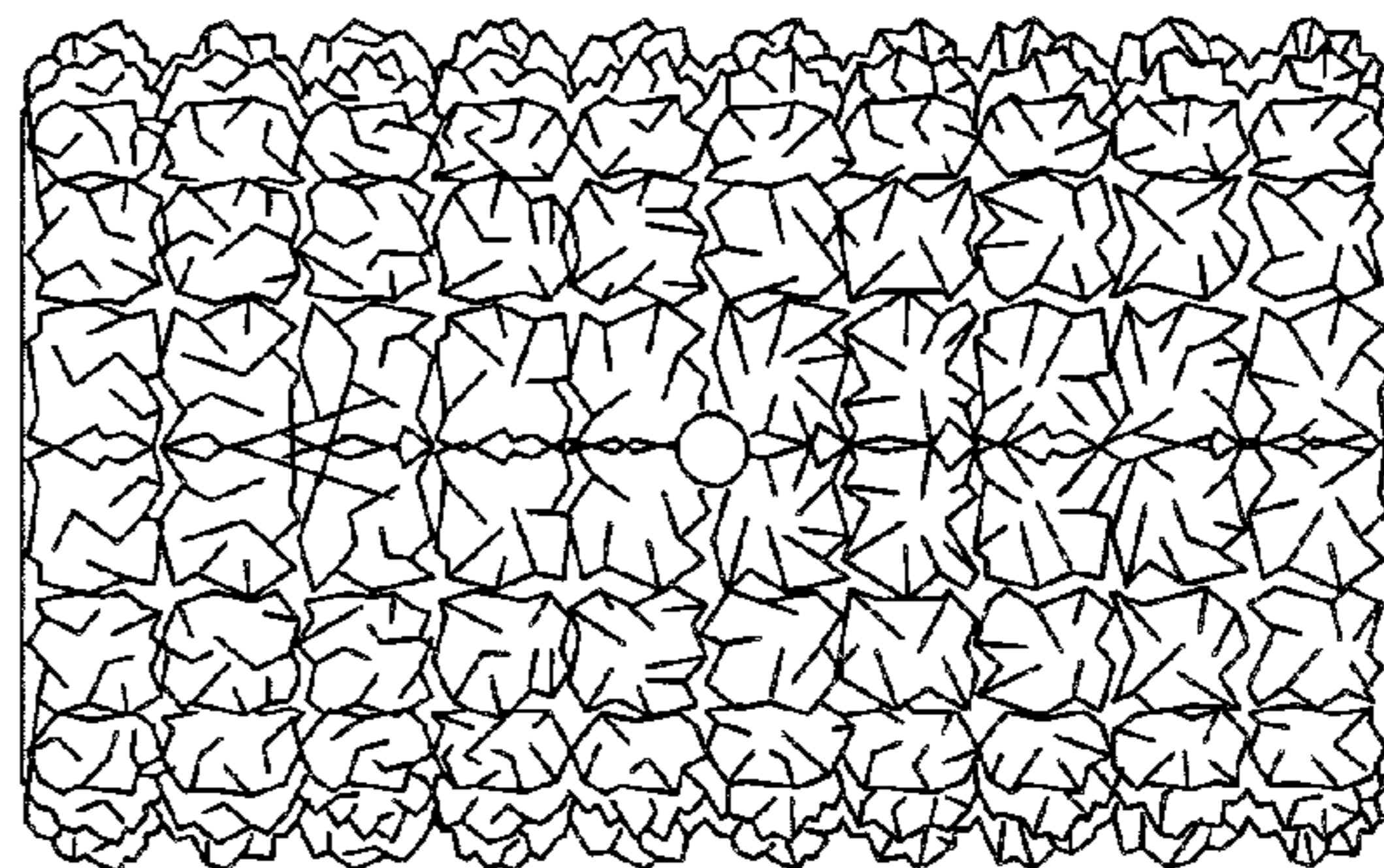


FIG. 5