

US00D632022S

(12) **United States Design Patent**  
**Walton**

(10) **Patent No.:** **US D632,022 S**  
(45) **Date of Patent:** **\*\* Feb. 1, 2011**

(54) **PADDED BACKBOARD COVERSLIP**

(76) Inventor: **Ross T. Walton**, 151 Windsor Ave.,  
Bardstown, KY (US) 40004

(\*\*) Term: **14 Years**

(21) Appl. No.: **29/357,942**

(22) Filed: **Apr. 21, 2010**

5,568,663	A *	10/1996	Brown	.....	5/628
5,819,746	A	10/1998	Walton		
6,065,165	A *	5/2000	Delk et al.	.....	5/628
6,067,678	A	5/2000	Trevino		
6,138,306	A	10/2000	Muhanna		
D435,493	S *	12/2000	Jewell et al.	.....	D12/128
6,202,231	B1 *	3/2001	Heimbrock et al.	.....	5/623
6,228,476	B1	5/2001	Bogrett et al.		
6,315,938	B1	11/2001	Jandali		

**Related U.S. Application Data**

(63) Continuation-in-part of application No. 12/425,618, filed on Apr. 17, 2009, now Pat. No. 7,707,667, which is a continuation-in-part of application No. 11/511,247, filed on Aug. 29, 2006, now abandoned, which is a continuation-in-part of application No. 11/108,082, filed on Apr. 15, 2005, now Pat. No. 7,100,226.

(51) **LOC (9) Cl.** ..... **29-02**

(52) **U.S. Cl.** ..... **D29/124**

(58) **Field of Classification Search** ..... D29/124;  
D12/128-133; 5/625-629, 636, 484, 499,  
5/691; 128/869, 870; 280/259, 642, 658;  
296/65.03, 65.04; 135/74

See application file for complete search history.

(56) **References Cited**

**U.S. PATENT DOCUMENTS**

30,588	A	11/1860	Pitts		
2,517,443	A	8/1950	Rhodes		
4,092,750	A *	6/1978	Ellis	.....	5/413 AM
4,167,151	A	9/1979	Muraoka et al.		
4,439,473	A	3/1984	Lippman		
4,536,454	A	8/1985	Haasl		
4,680,204	A	7/1987	Das et al.		
4,983,424	A	1/1991	Saidman et al.		
5,088,137	A	2/1992	Rose		
5,118,557	A	6/1992	Barnewall		
5,256,716	A	10/1993	Haasl et al.		
5,314,940	A	5/1994	Stone		
5,424,828	A	6/1995	Minami		
5,429,840	A	7/1995	Rateman et al.		
5,481,770	A	1/1996	Ahlsten		

(Continued)

*Primary Examiner*—Raphael Barkai  
*Assistant Examiner*—Randall Gholson  
(74) *Attorney, Agent, or Firm*—Donald K. Wedding

(57) **CLAIM**

The ornamental design for a padded backboard coverslip, as shown and described.

**DESCRIPTION**

FIG. 1 is an orthogonal view of one embodiment of a backboard pad assembly mounted on a backboard.

FIG. 2 is a top view of the backboard pad assembly shown in FIG. 1.

FIG. 3 is a left side view of the backboard pad assembly shown in FIG. 1. The right side view is a mirror image of FIG. 3.

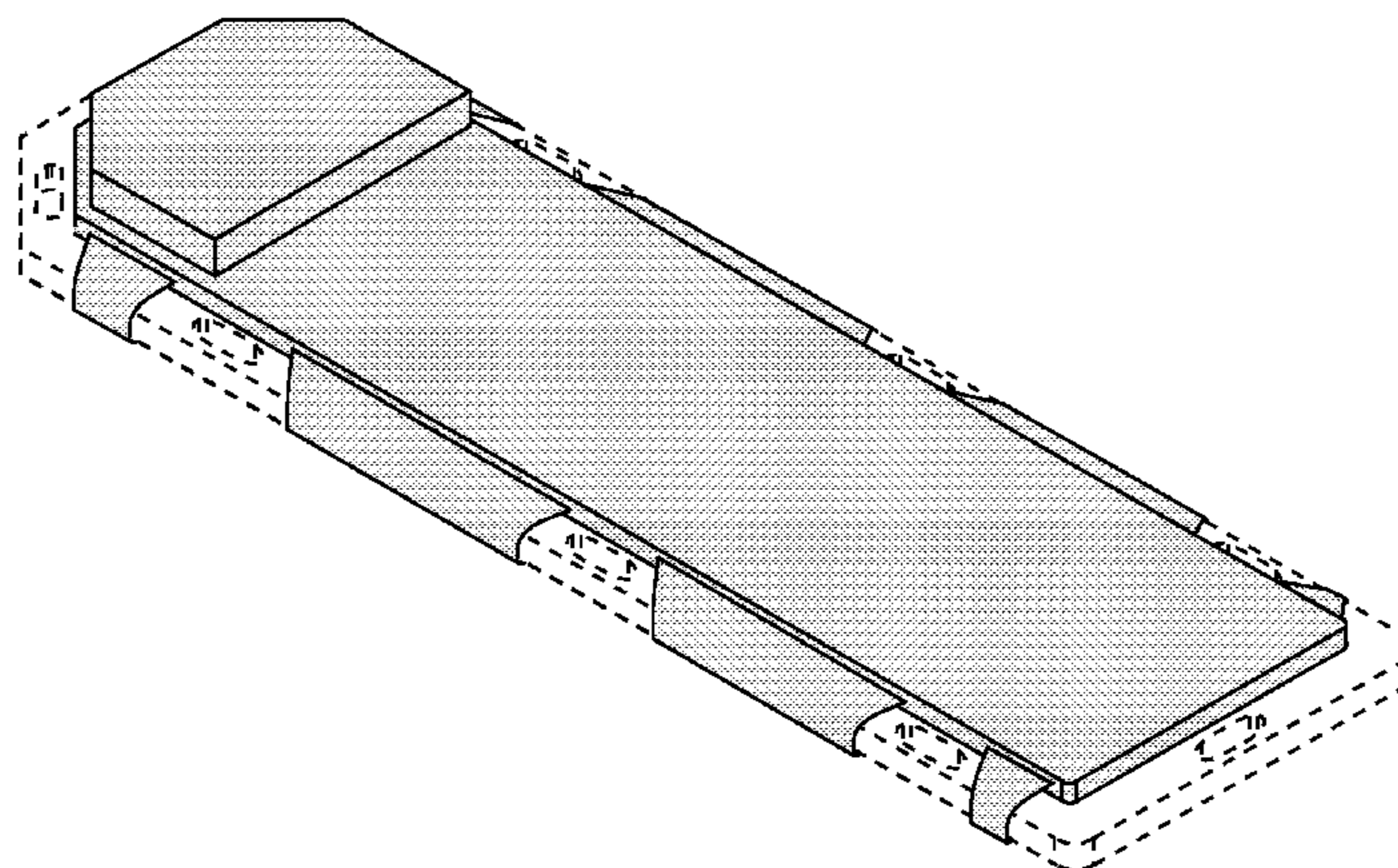
FIG. 4 is a headward end view of the backboard pad assembly shown in FIG. 1.

FIG. 5 is a footward end view of the backboard pad assembly shown in FIG. 1; and,

FIG. 6 is a bottom view of one embodiment of the backboard pad assembly shown in FIG. 1.

The broken lines in the figures represent environmental structure only and form no part of the claimed design.

**1 Claim, 5 Drawing Sheets**



# US D632,022 S

Page 2

---

U.S. PATENT DOCUMENTS							
D459,276	S *	6/2002	Dahlberg et al. .... D12/128	D530,135	S *	10/2006	Lau ..... D6/595
6,420,471	B1	7/2002	Douarre	7,707,667	B1	5/2010	Walton
6,634,042	B2	10/2003	Blossman	2003/0121103	A1	7/2003	Wempe
6,848,134	B1	2/2005	Schenck	2003/0131854	A1*	7/2003	Kiefer et al. .... 128/870
7,028,357	B2*	4/2006	Holland ..... 5/626	2004/0187214	A1*	9/2004	Holland ..... 5/626
7,100,226	B1*	9/2006	Walton ..... 5/626	2005/0255307	A1	11/2005	Dennis et al.
				2006/0032572	A1	2/2006	Dennis et al.
							* cited by examiner

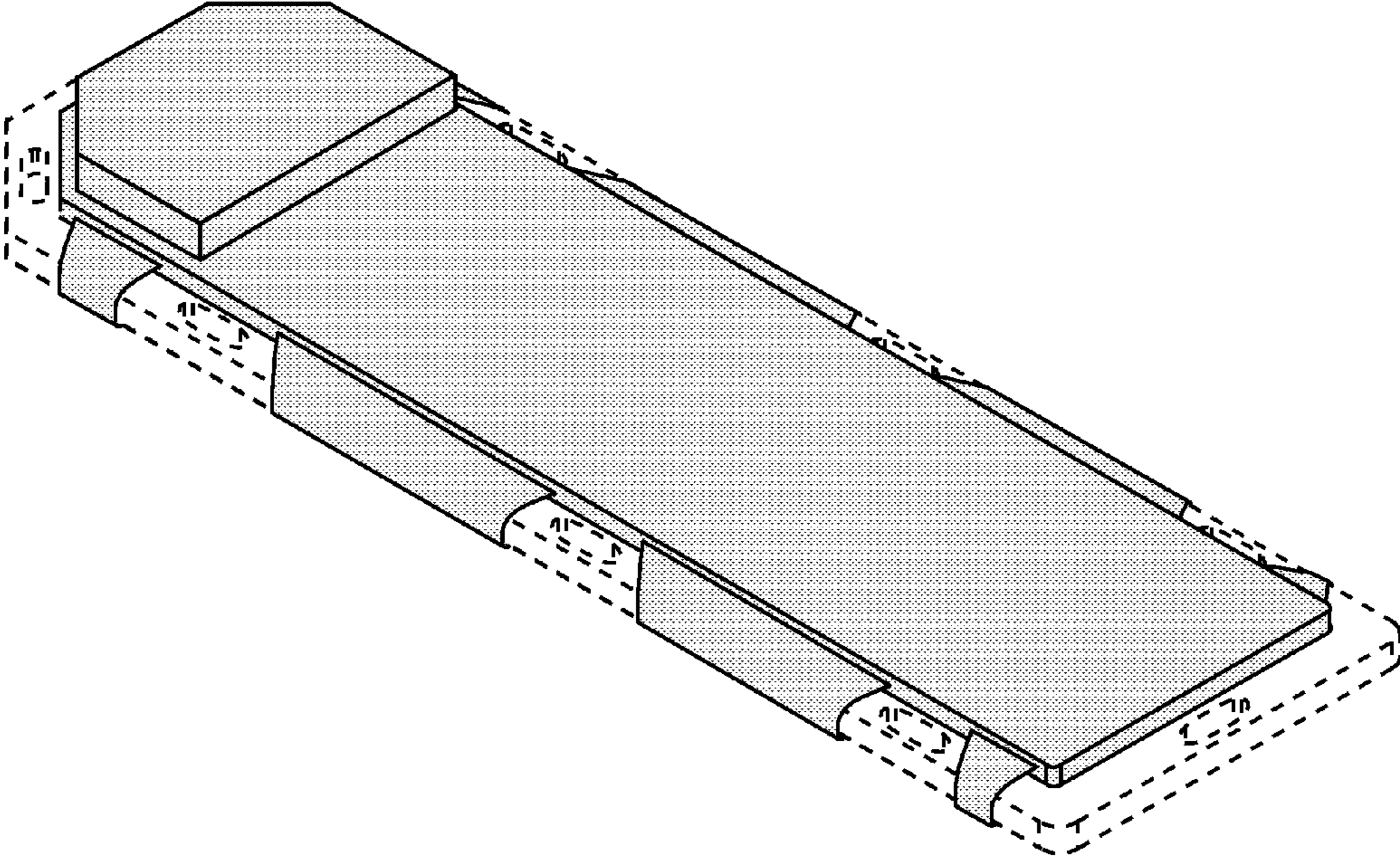


FIG. 1

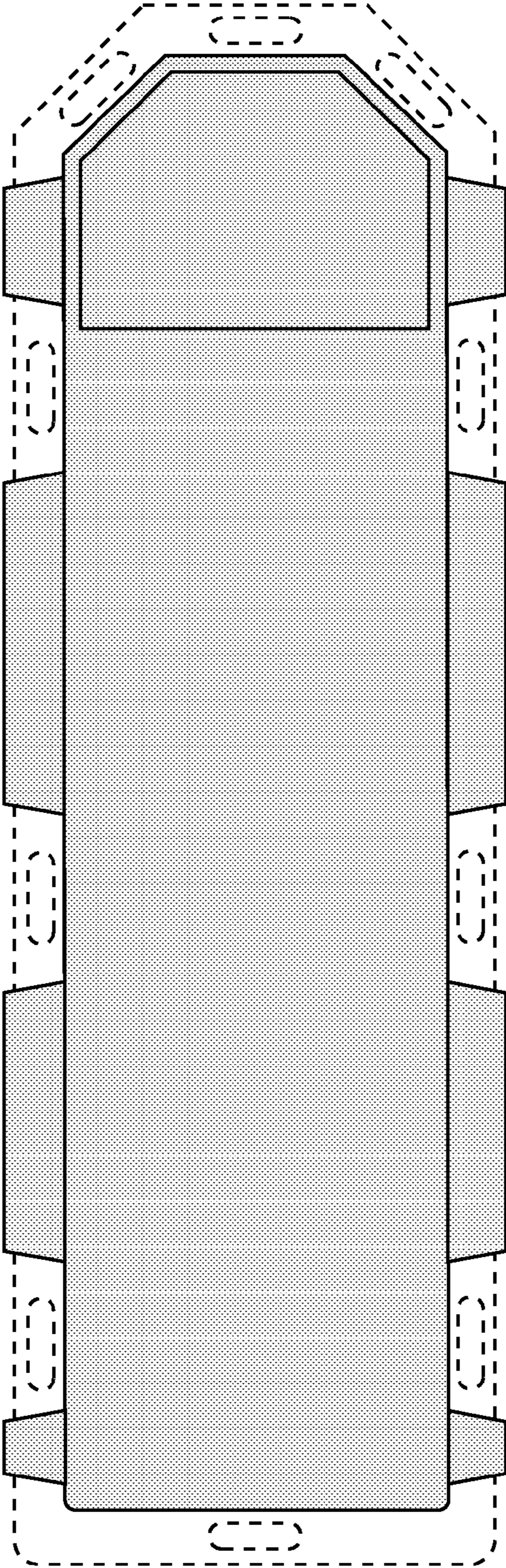
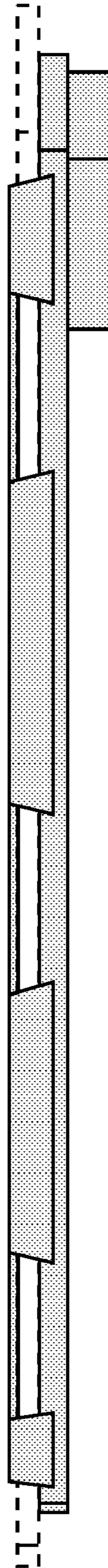


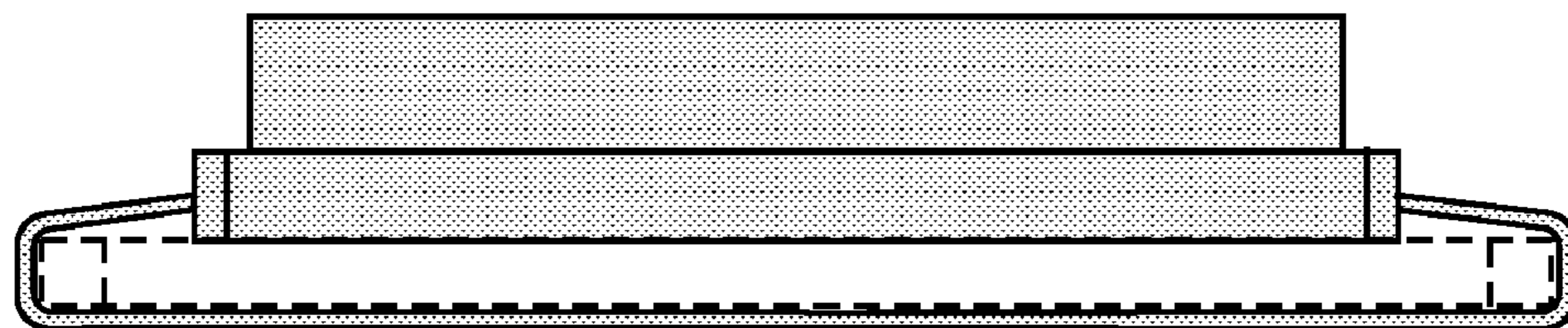
FIG. 2



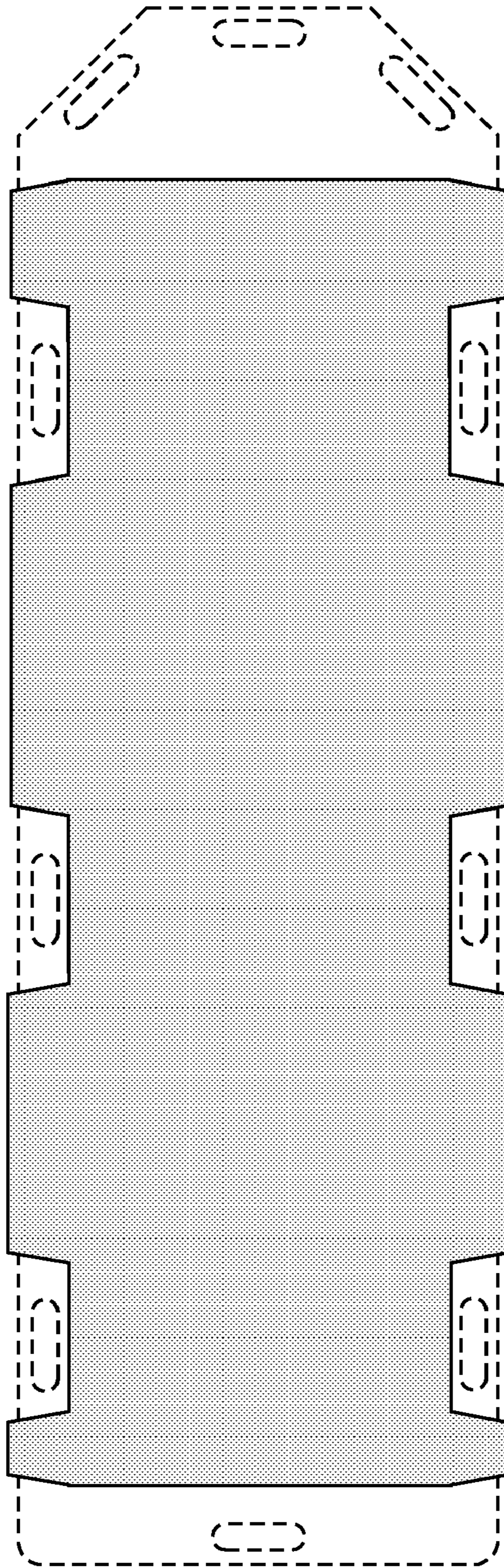
**FIG. 3**



**FIG. 4**



**FIG. 5**



**FIG. 6**