



US00D632021S

(12) **United States Design Patent**
Carr et al.

(10) **Patent No.:** **US D632,021 S**
(45) **Date of Patent:** **** Feb. 1, 2011**

(54) **HARNES FOR CARRYING BREATHING APPARATUS**

2004/0045991 A1 3/2004 Kling et al.
2004/0065272 A1* 4/2004 Reynolds et al. 119/770
2007/0090134 A1 4/2007 Wu
2007/0090137 A1 4/2007 Kim

(75) Inventors: **Robert Carr**, Lancashire (GB); **Steven Thurgood**, Lancashire (GB); **Barry Lewin**, Lancashire (GB); **Tony Pickett**, Lancashire (GB)

FOREIGN PATENT DOCUMENTS

(73) Assignee: **Scott Health & Safety Ltd.**, Lancashire (GB)

EM	000055363-001	7/2003
GB	1554078	10/1979
GB	2015468	8/1991
GB	2 302 009	1/1997
GB	2 350 547	12/2000
GB	2102498	6/2001
GB	2 400 014	10/2004
WO	97/49312	12/1997
WO	01/97917	12/2001
WO	2007/056828	5/2007

(**) Term: **14 Years**

(21) Appl. No.: **29/325,932**

(22) Filed: **Oct. 8, 2008**

* cited by examiner

(30) **Foreign Application Priority Data**

Apr. 9, 2008 (EM) 000915491

Primary Examiner—Raphael Barkai

Assistant Examiner—Randall Gholson

(51) **LOC (9) Cl.** **29-02**

(52) **U.S. Cl.** **D29/124**

(58) **Field of Classification Search** D29/124;
D21/801, 804; 405/185, 186, 187; 441/102,
441/106, 108, 116; 409/186; 248/693; 224/625–628,
224/650, 934

(74) *Attorney, Agent, or Firm*—The Small Patent Law Group;
Dean D. Small; Christopher R. Carroll

See application file for complete search history.

(57) **CLAIM**

The ornamental design for a harness for carrying breathing apparatus, as shown and described.

(56) **References Cited**

U.S. PATENT DOCUMENTS

4,676,418 A	6/1987	Lowe	
4,778,307 A *	10/1988	Faulconer	405/186
5,256,094 A *	10/1993	Canna	441/96
5,363,790 A *	11/1994	Matsuoka	114/315
5,492,110 A	2/1996	Lenz et al.	
5,522,679 A *	6/1996	Eungard	405/186
5,641,247 A *	6/1997	Seligman	405/186
6,120,213 A *	9/2000	Stinton	405/186
6,290,111 B1	9/2001	Hedenberg et al.	
6,592,417 B2 *	7/2003	Kawashima et al.	441/116
6,925,652 B2 *	8/2005	Feng	2/2.15
D523,920 S *	6/2006	Cresswell	D21/804
7,198,186 B2 *	4/2007	Kling et al.	224/628
7,287,300 B2 *	10/2007	Rupp et al.	15/327.6

DESCRIPTION

FIG. 1 is a front view of a harness for carrying breathing apparatus, showing our new design;

FIG. 2 is a rear view thereof;

FIG. 3 is a right side elevational view thereof;

FIG. 4 is a left side elevational view thereof;

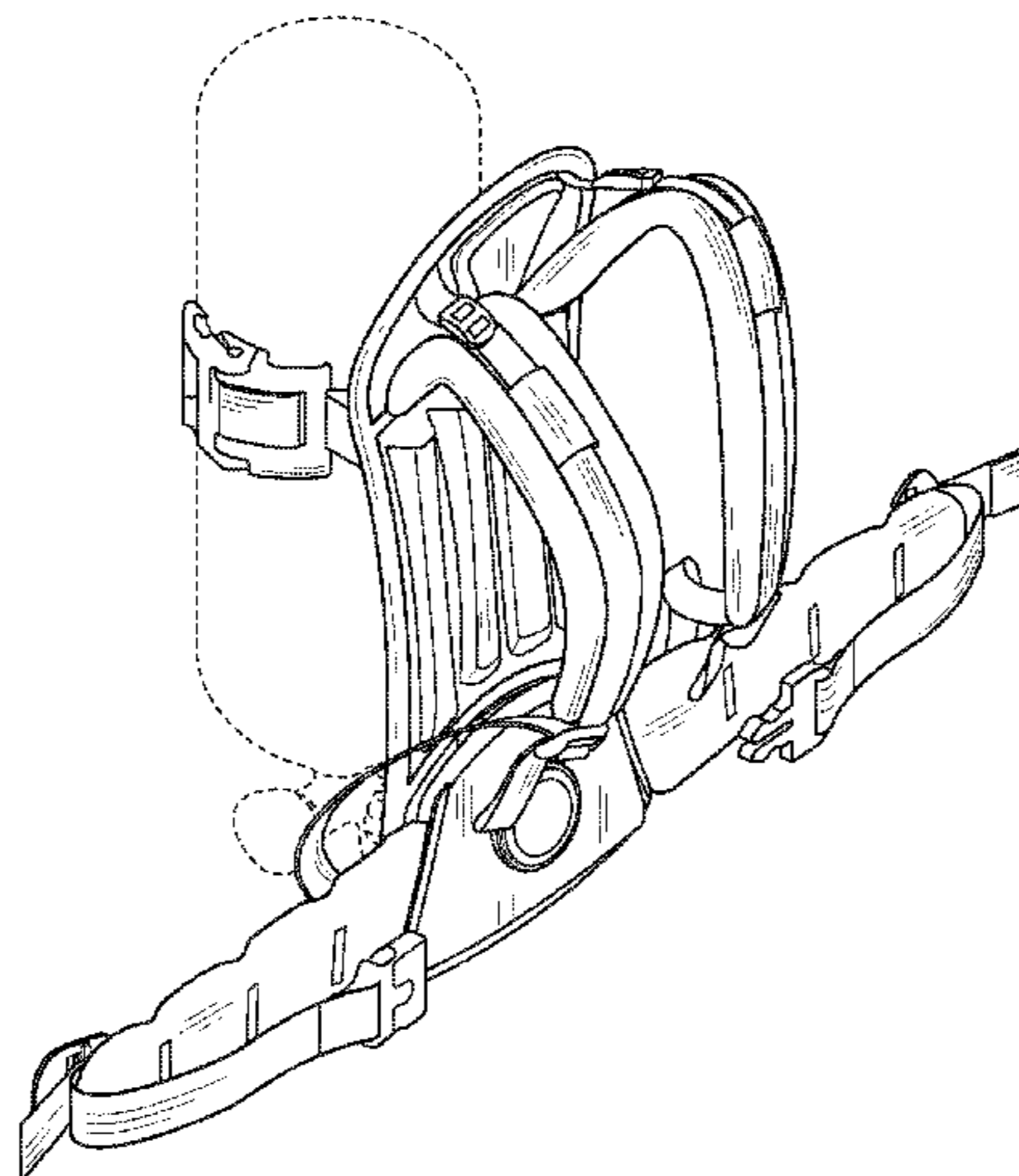
FIG. 5 is a top plan view thereof;

FIG. 6 is a bottom plan view thereof; and,

FIG. 7 is a perspective view of the harness for carrying breathing apparatus in accordance with our new design.

The dotted lines are intended to show features that are environmental only and form no part of the claimed design.

1 Claim, 6 Drawing Sheets



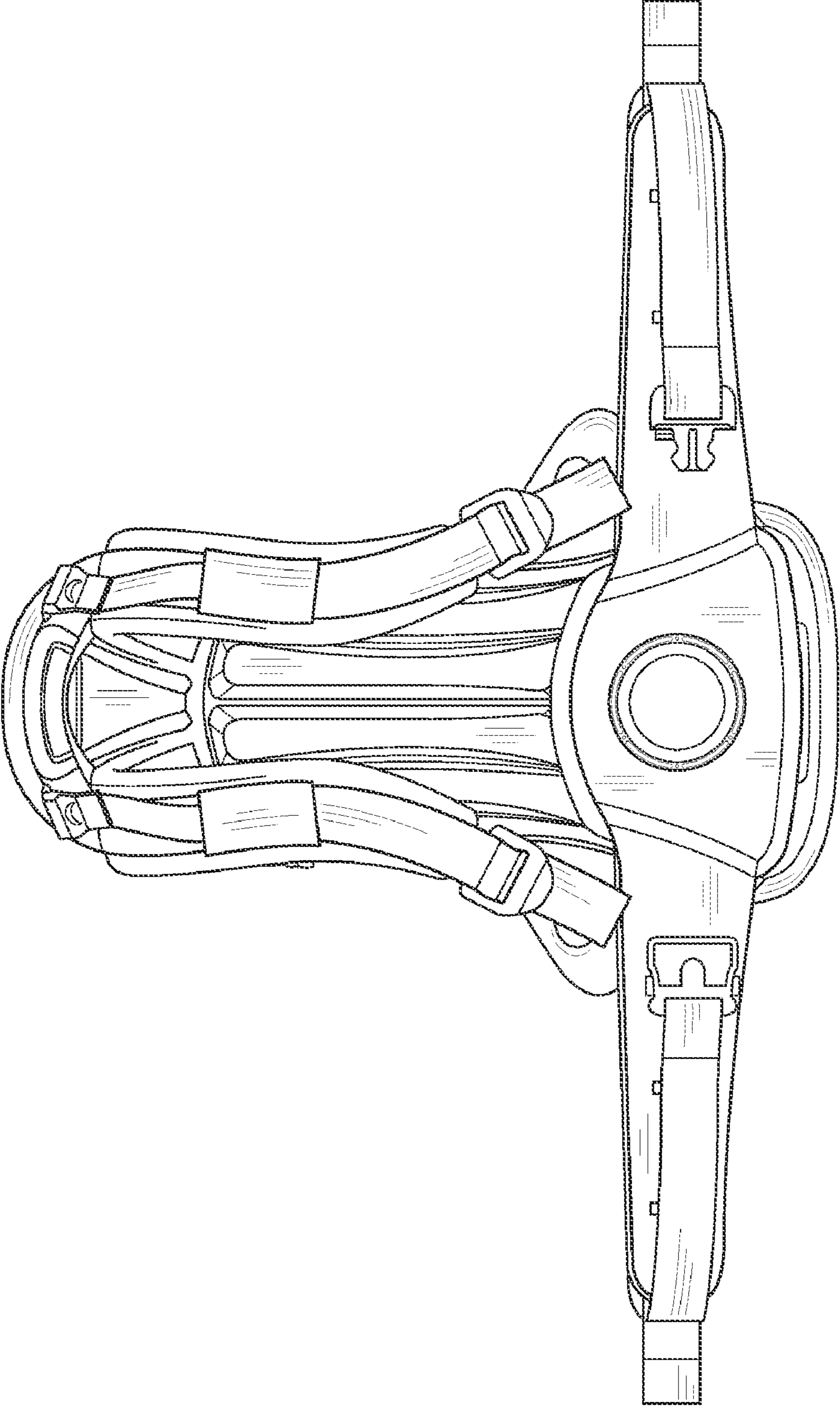


FIG. 1

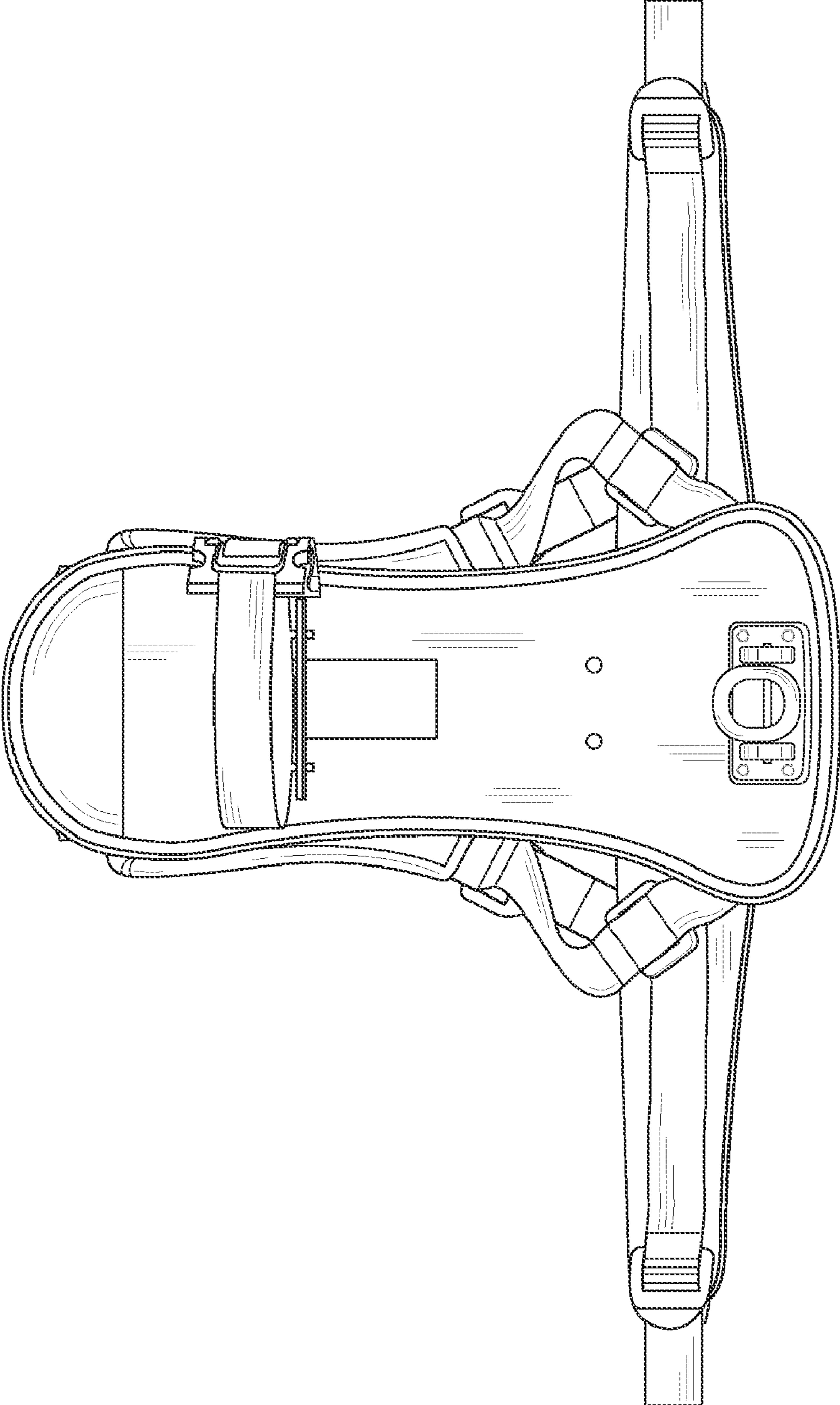


FIG. 2

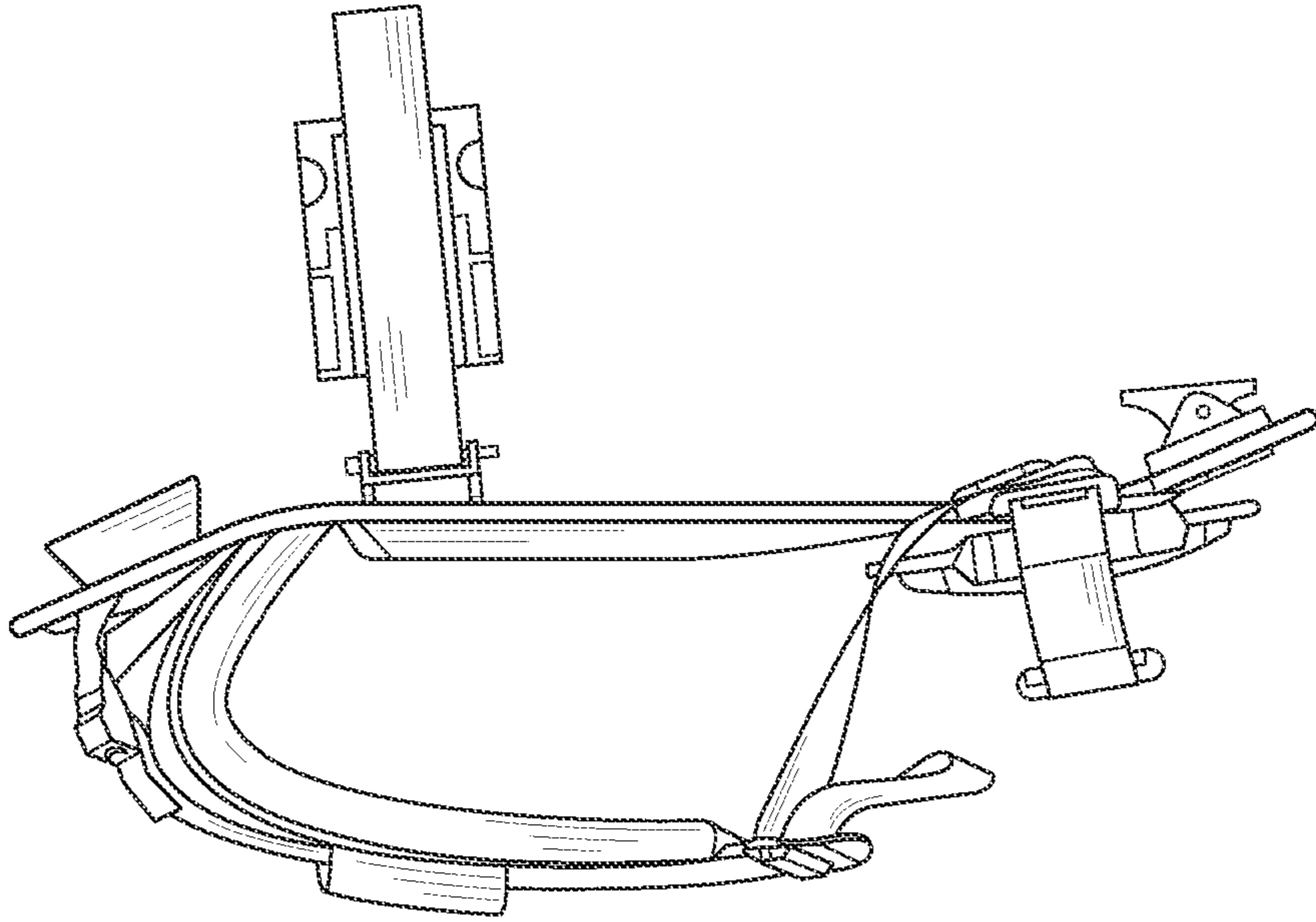


FIG. 4

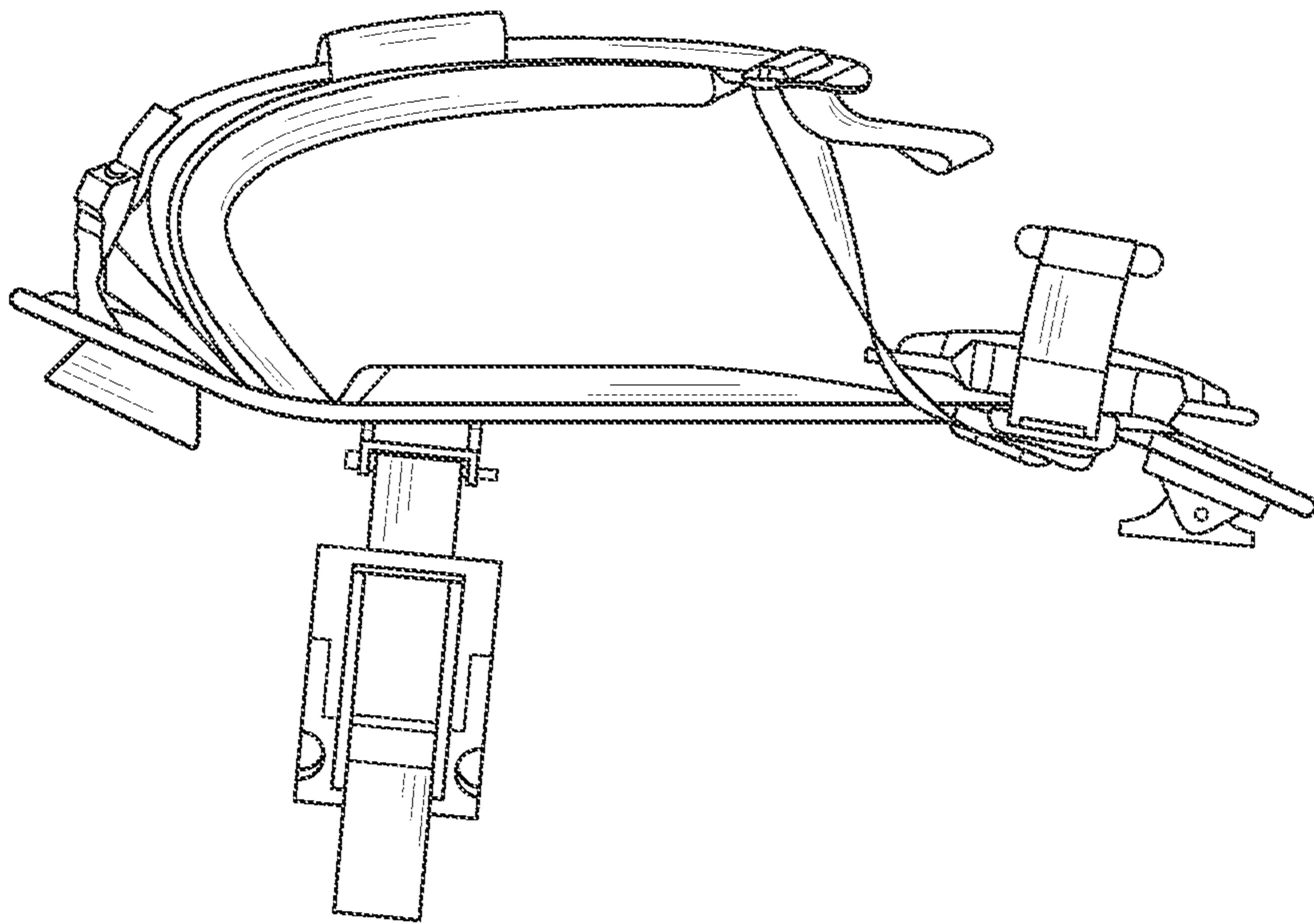


FIG. 3

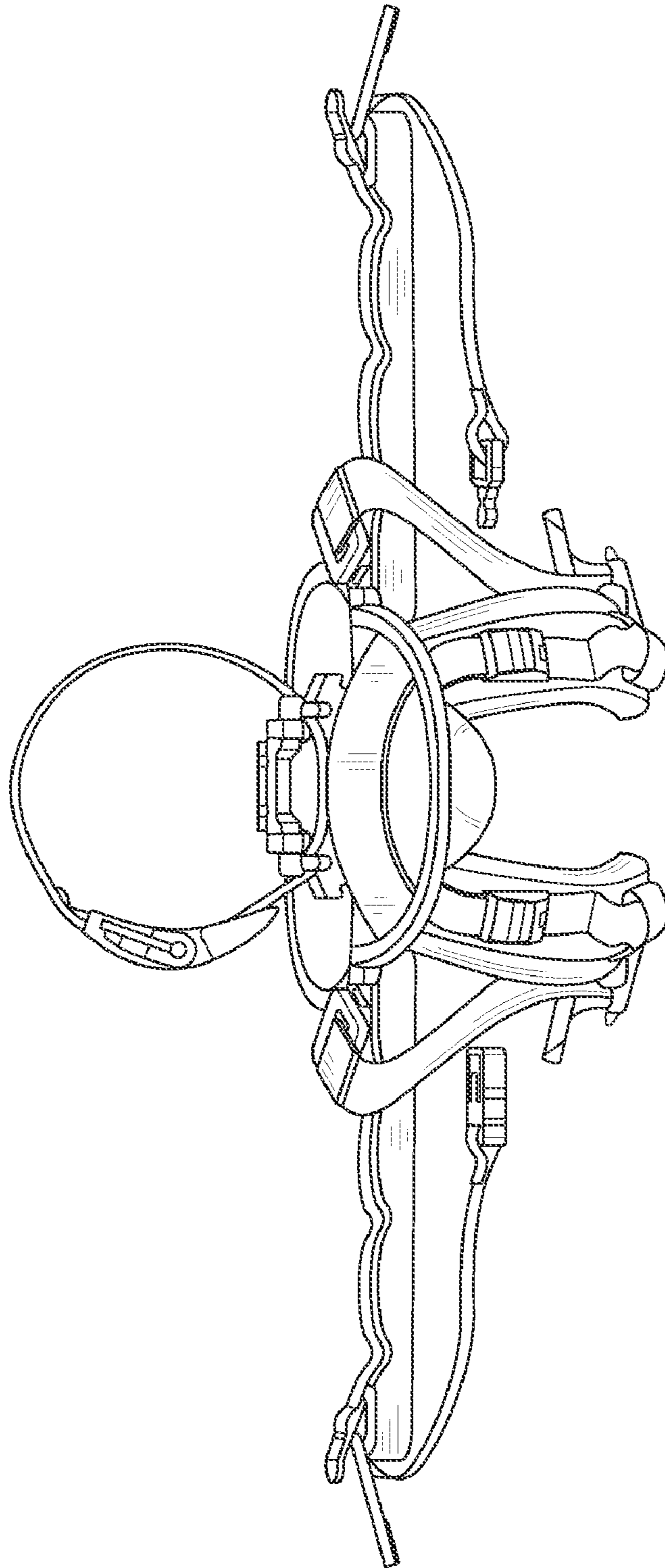


FIG. 5

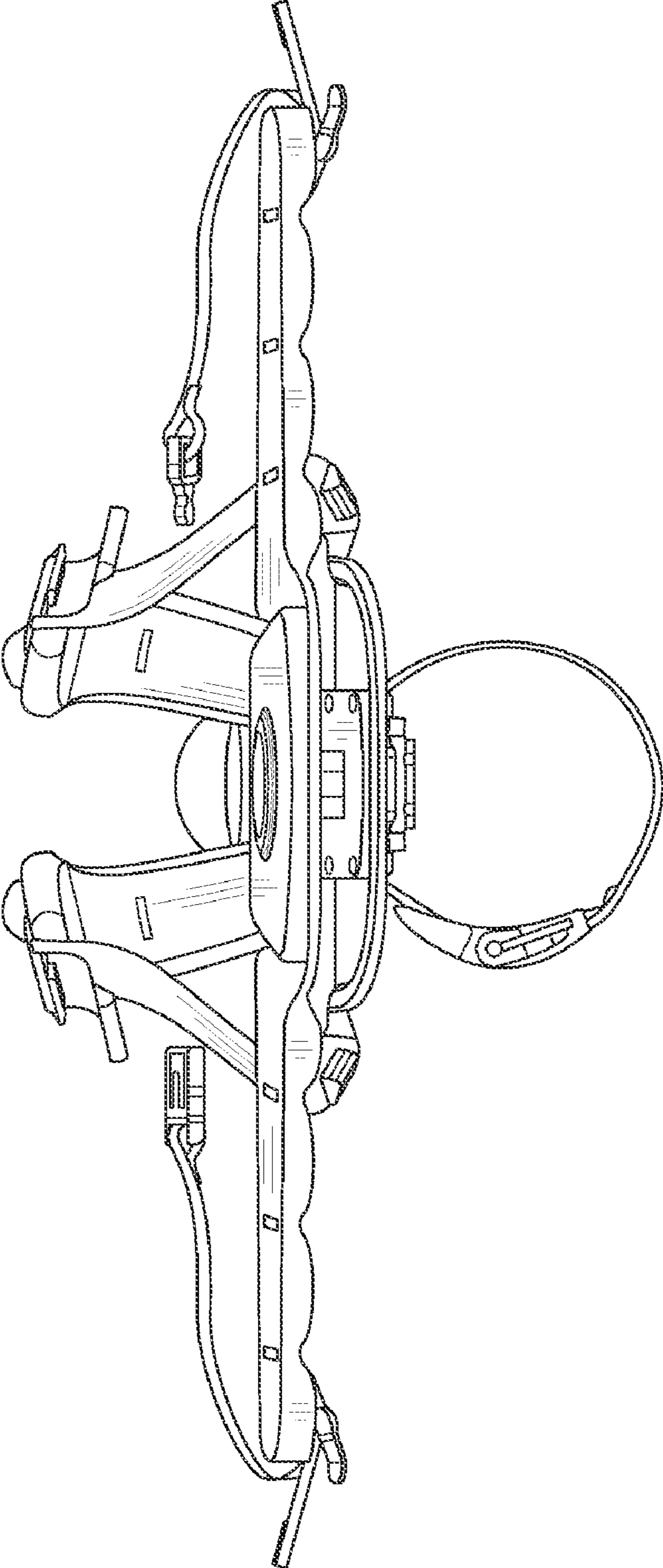


FIG. 6

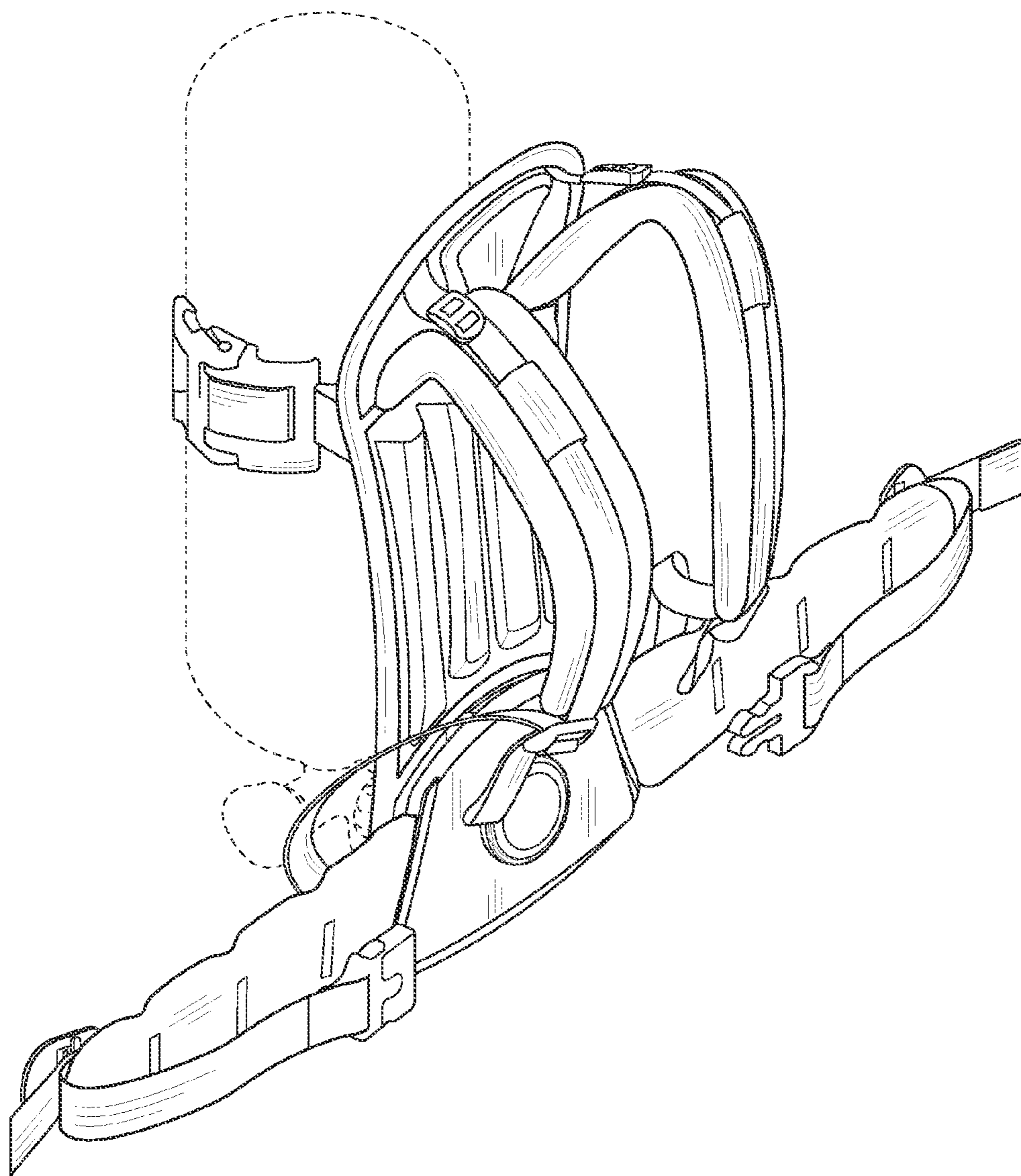


FIG. 7